



US00D615358S

(12) **United States Design Patent**
Wahl

(10) **Patent No.:** **US D615,358 S**

(45) **Date of Patent:** **** May 11, 2010**

(54) **BEVERAGE CONTAINER**

(75) Inventor: **Andrew C. F. Wahl**, Seattle, WA (US)

(73) Assignee: **Pacific Market International, LLC**,
Seattle, WA (US)

(**) Term: **14 Years**

(21) Appl. No.: **29/327,973**

(22) Filed: **Nov. 17, 2008**

(51) **LOC (9) Cl.** **07-01**

(52) **U.S. Cl.** **D7/510; D7/511; D7/533**

(58) **Field of Classification Search** **D7/509–536,**
D7/393, 396.2, 394, 395; 220/715, 592.16,
220/298; 215/315

See application file for complete search history.

(56) **References Cited**

U.S. PATENT DOCUMENTS

| | | | | |
|--------------|---------|----------------|-------|---------|
| D325,848 S * | 5/1992 | Embree | | D7/510 |
| D332,894 S * | 2/1993 | Green | | D7/511 |
| D370,384 S * | 6/1996 | Shamis | | D7/393 |
| D533,402 S * | 12/2006 | Bin | | D7/510 |
| D542,205 S * | 5/2007 | Echazabal | | D12/209 |
| D562,076 S * | 2/2008 | Sandberg | | D7/533 |
| D564,841 S * | 3/2008 | Clemens et al. | | D7/510 |
| D571,152 S * | 6/2008 | Tien | | D7/510 |
| D571,154 S * | 6/2008 | Pearson | | D7/533 |
| D571,613 S * | 6/2008 | Gilbert et al. | | D7/533 |
| D573,839 S * | 7/2008 | Sun | | D7/510 |
| D577,548 S * | 9/2008 | Homma | | D7/536 |
| D579,273 S * | 10/2008 | Tong Chi Chung | | D7/511 |
| D580,226 S * | 11/2008 | Homma | | D7/510 |
| D580,708 S * | 11/2008 | George | | D7/510 |
| D584,107 S * | 1/2009 | George | | D7/510 |
| D587,967 S * | 3/2009 | Wahl | | D7/510 |
| D589,751 S * | 4/2009 | Liu et al. | | D7/510 |

| | | | | |
|--------------|---------|----------------|-------|--------|
| D602,308 S * | 10/2009 | Alviar et al. | | D7/510 |
| D604,103 S * | 11/2009 | Alviar et al. | | D7/533 |
| D604,990 S * | 12/2009 | Watkins et al. | | D7/510 |

* cited by examiner

Primary Examiner—Marianne Pandozzi
(74) *Attorney, Agent, or Firm*—Davis Wright Tremaine LLP;
George C. Rondeau, Jr.

(57) **CLAIM**

The ornamental design for a beverage container, as shown and described.

DESCRIPTION

FIG. 1 is a top right side perspective view of a beverage container showing my new design.

FIG. 2 is a right side elevational view thereof.

FIG. 3 is a left side elevational view thereof.

FIG. 4 is a rear elevational view thereof.

FIG. 5 is a front elevational view thereof.

FIG. 6 is a top plan view thereof.

FIG. 7 is a bottom plan view thereof.

FIG. 8 is a top right side perspective view of a second embodiment thereof.

FIG. 9 is a right side elevational view thereof.

FIG. 10 is a left side elevational view thereof.

FIG. 11 is a rear elevational view thereof.

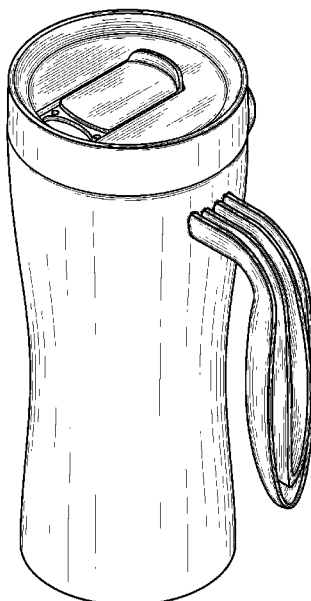
FIG. 12 is a front elevational view thereof.

FIG. 13 is a top plan view thereof; and,

FIG. 14 is a bottom plan view thereof.

The broken lines are for illustrative purposes only and form no part of the claimed design.

1 Claim, 12 Drawing Sheets



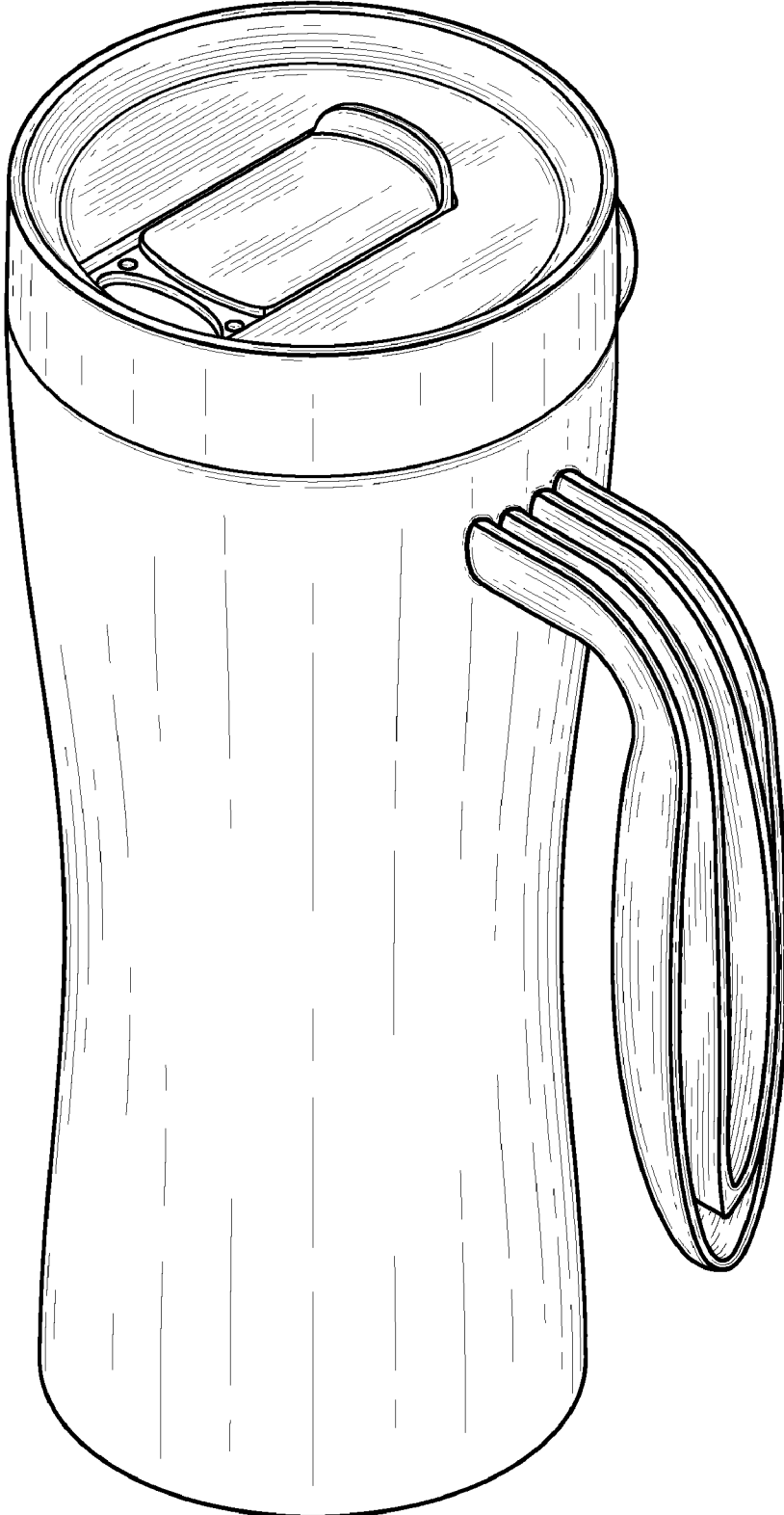


Fig. 1

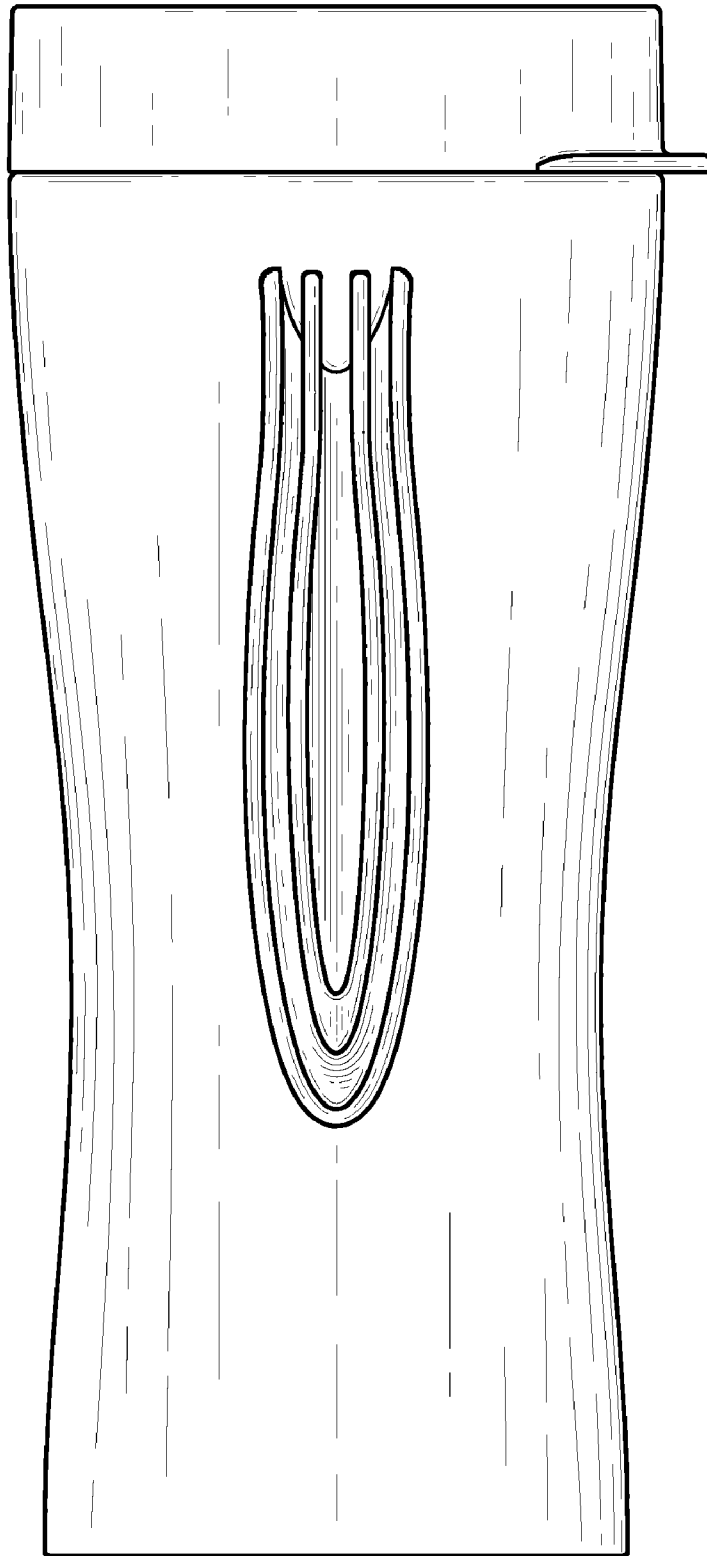


Fig. 2

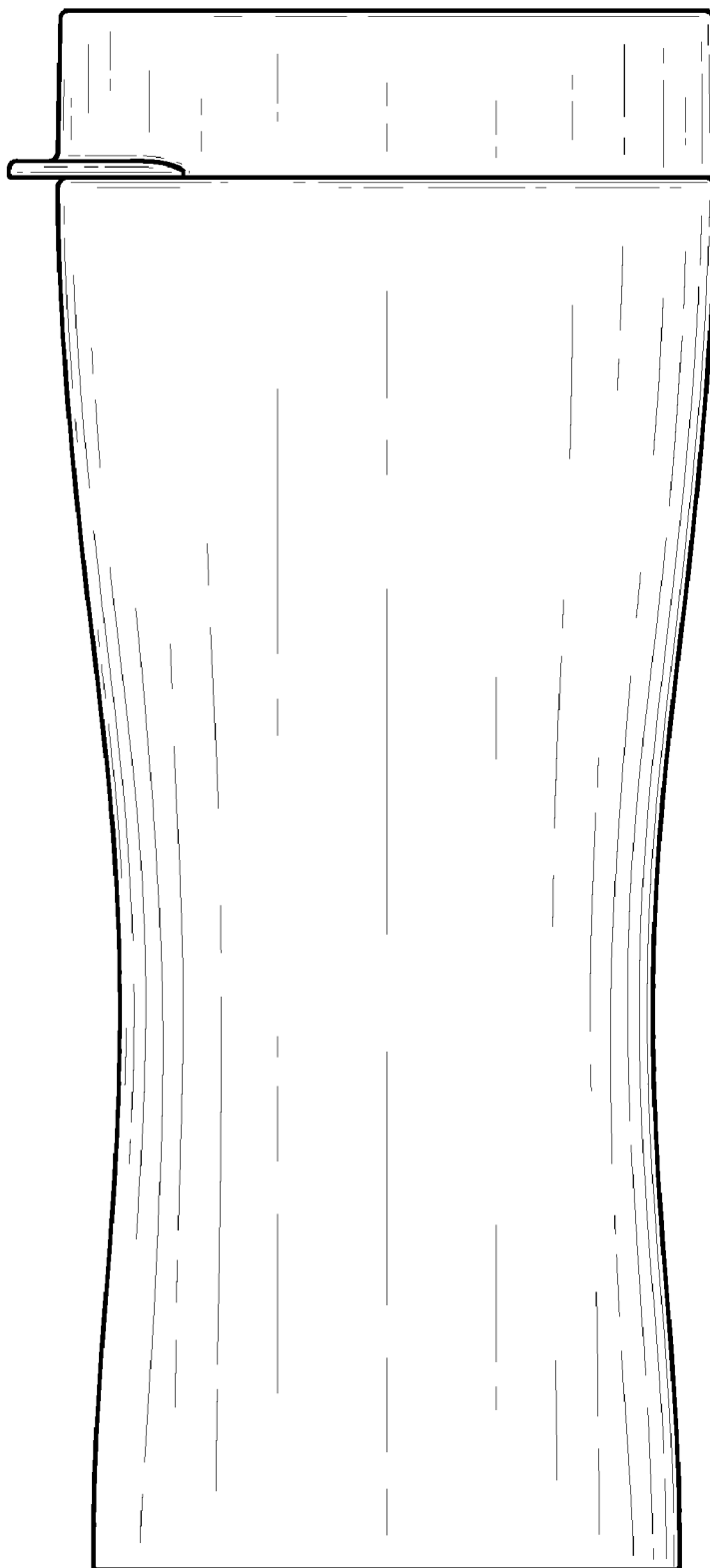


Fig. 3

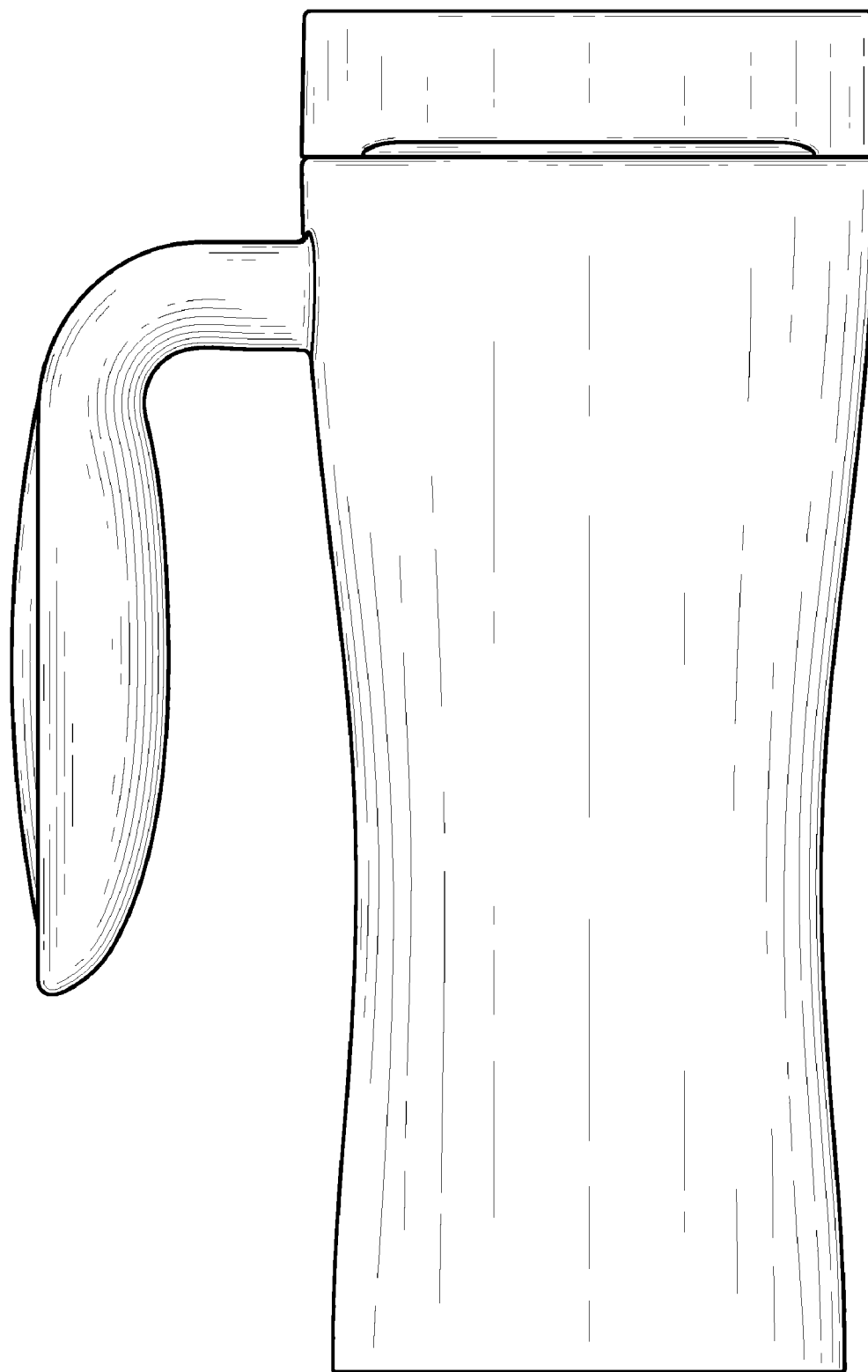


Fig. 4

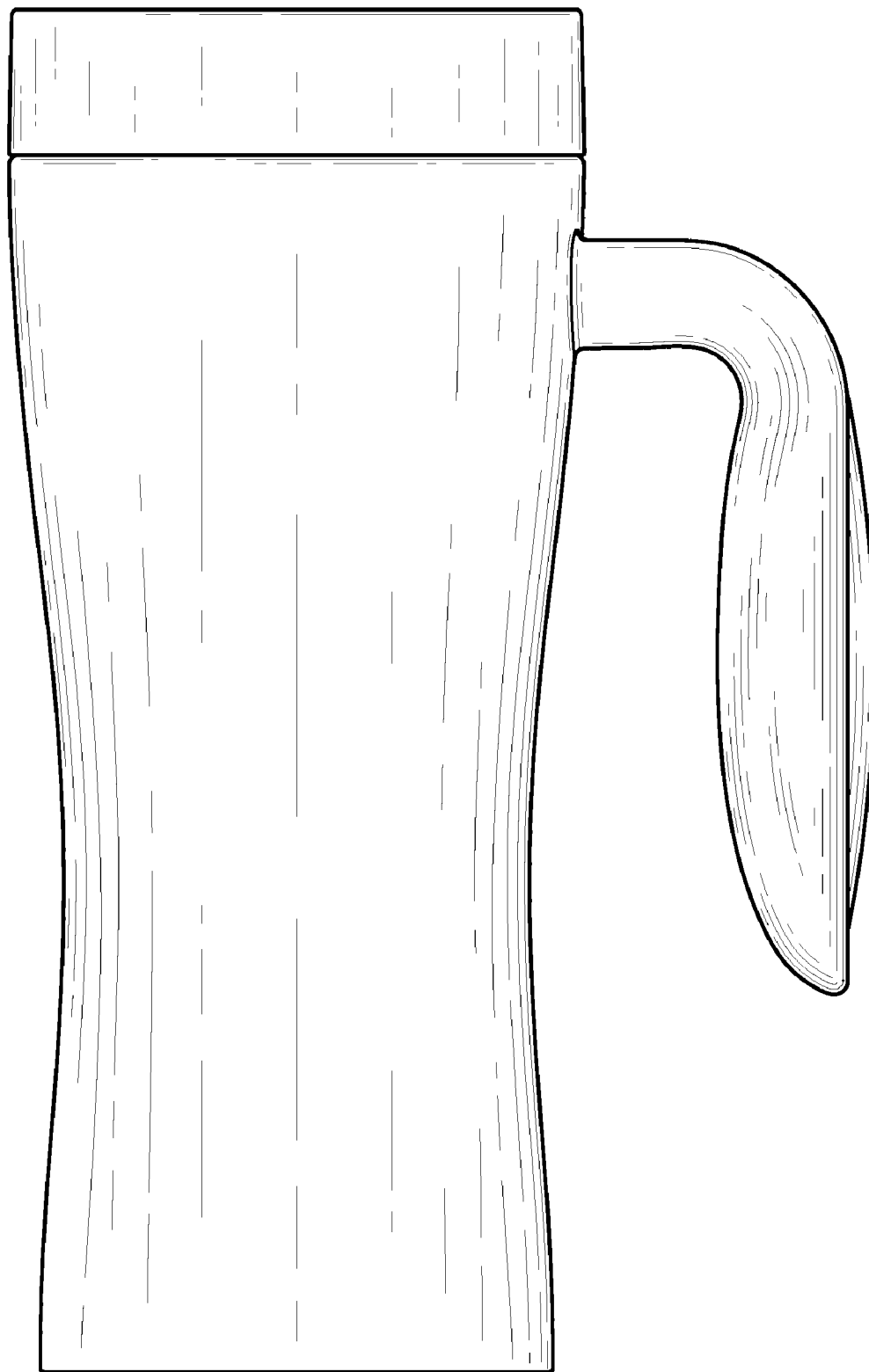


Fig. 5

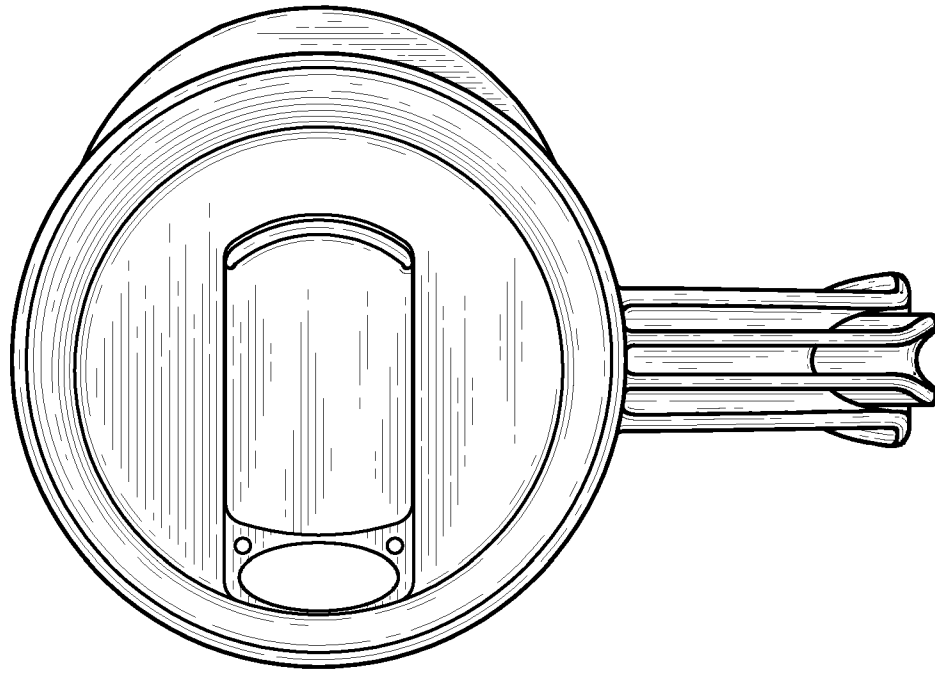


Fig. 6

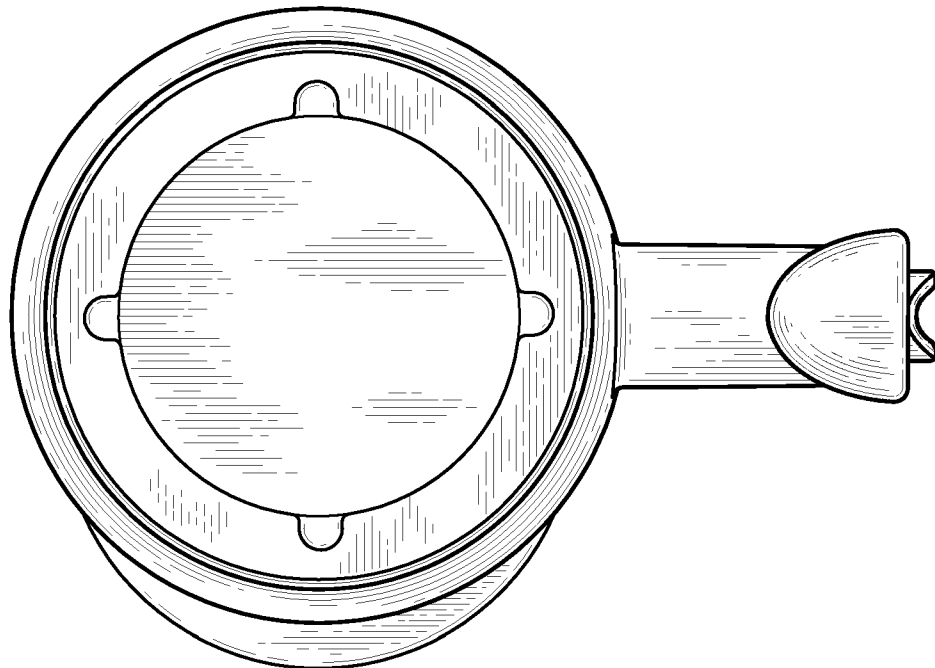


Fig. 7

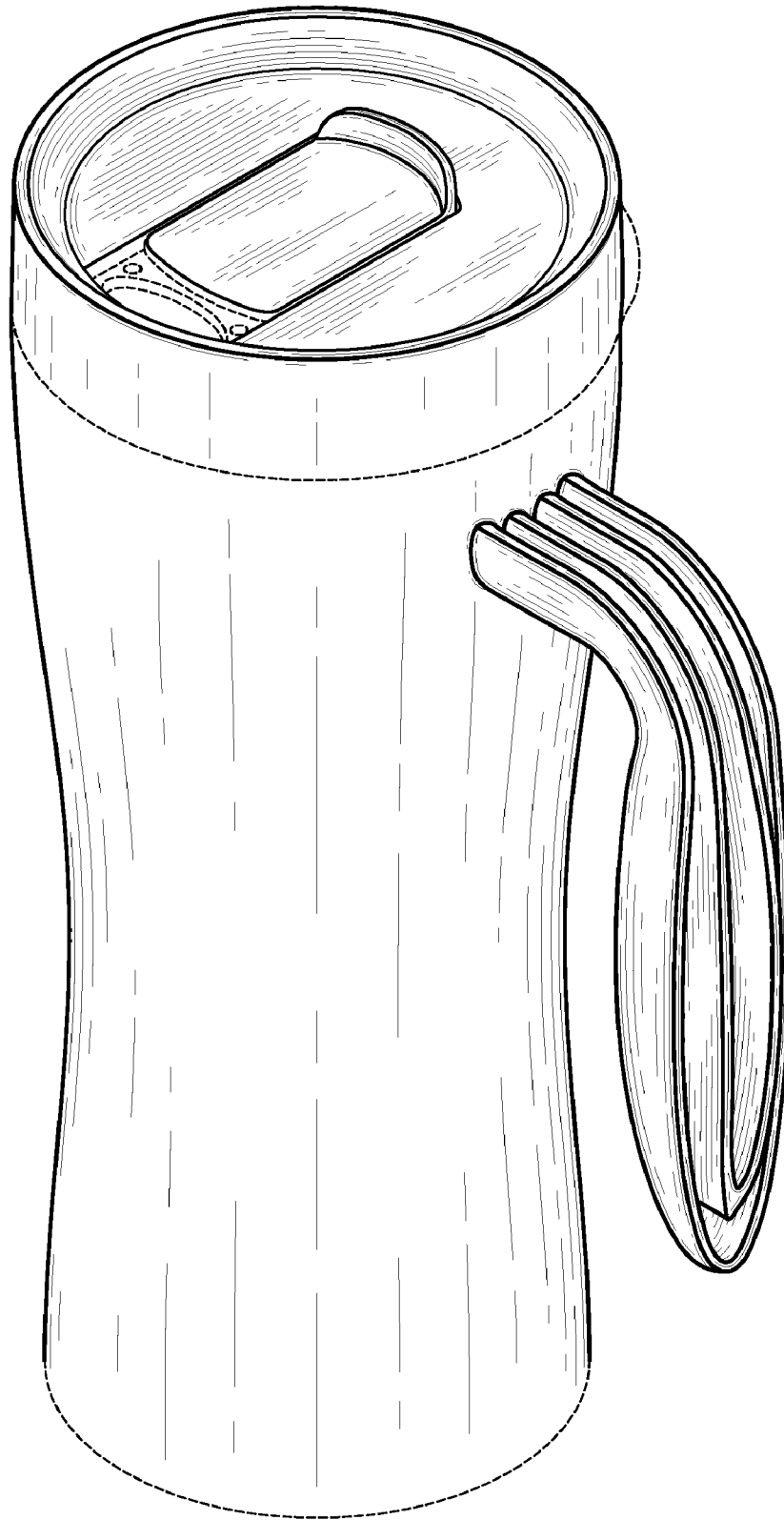


Fig. 8

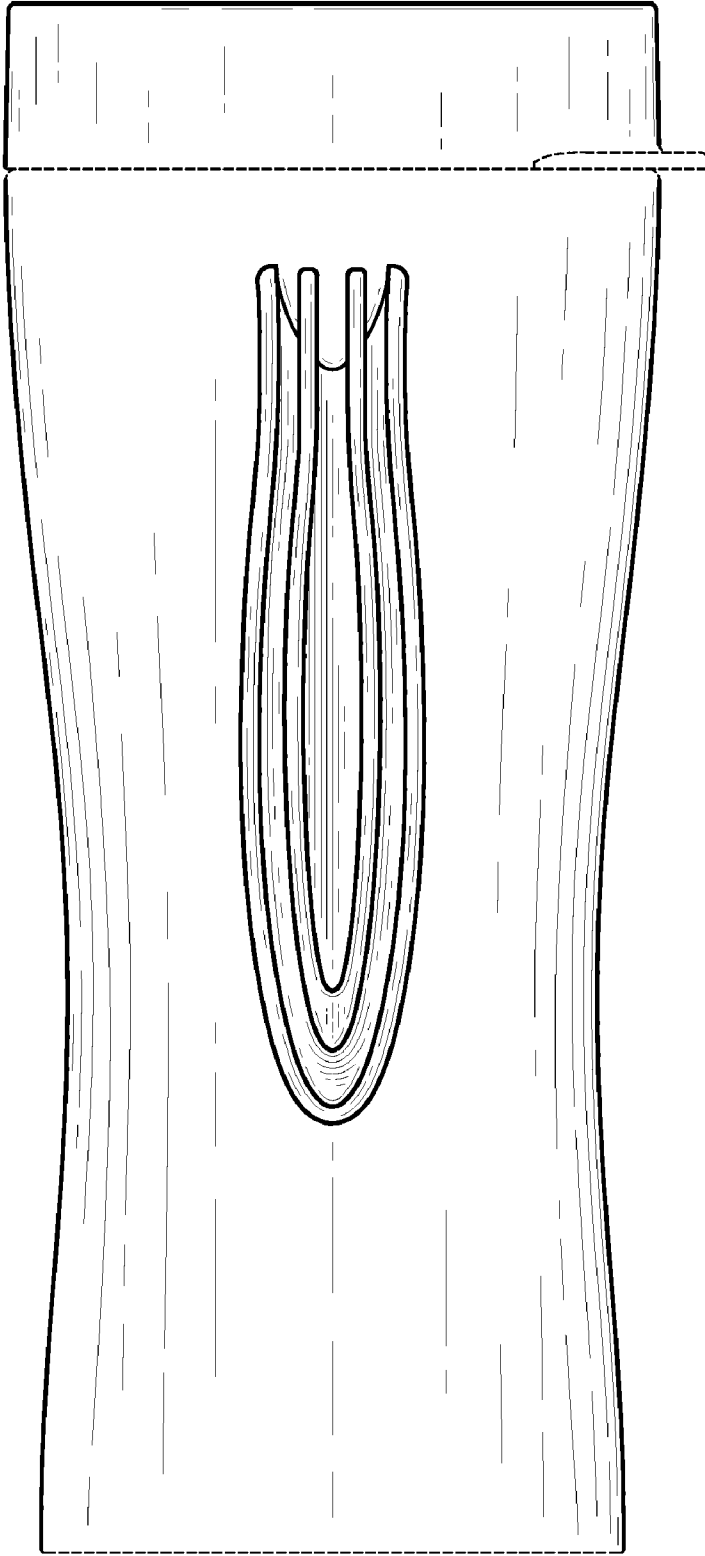


Fig. 9

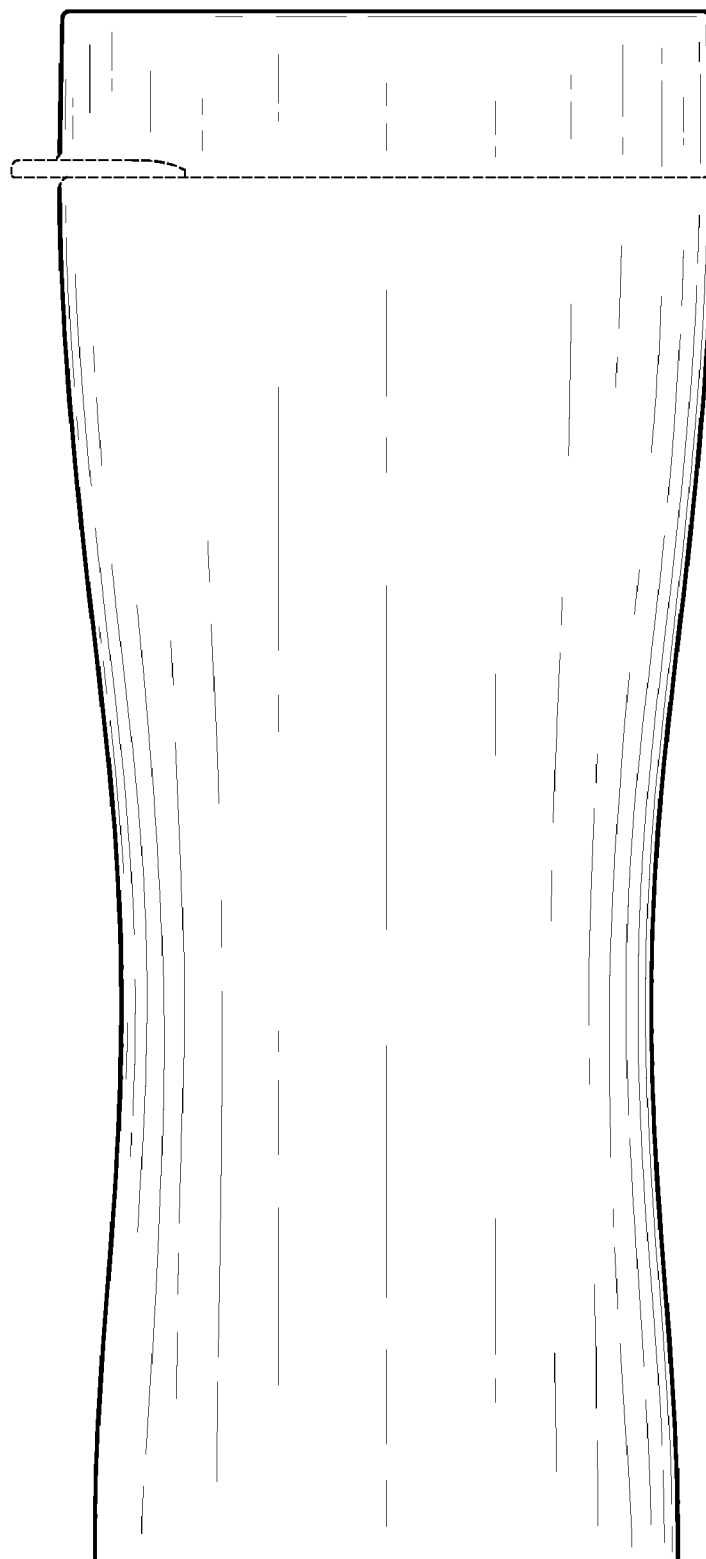


Fig. 10

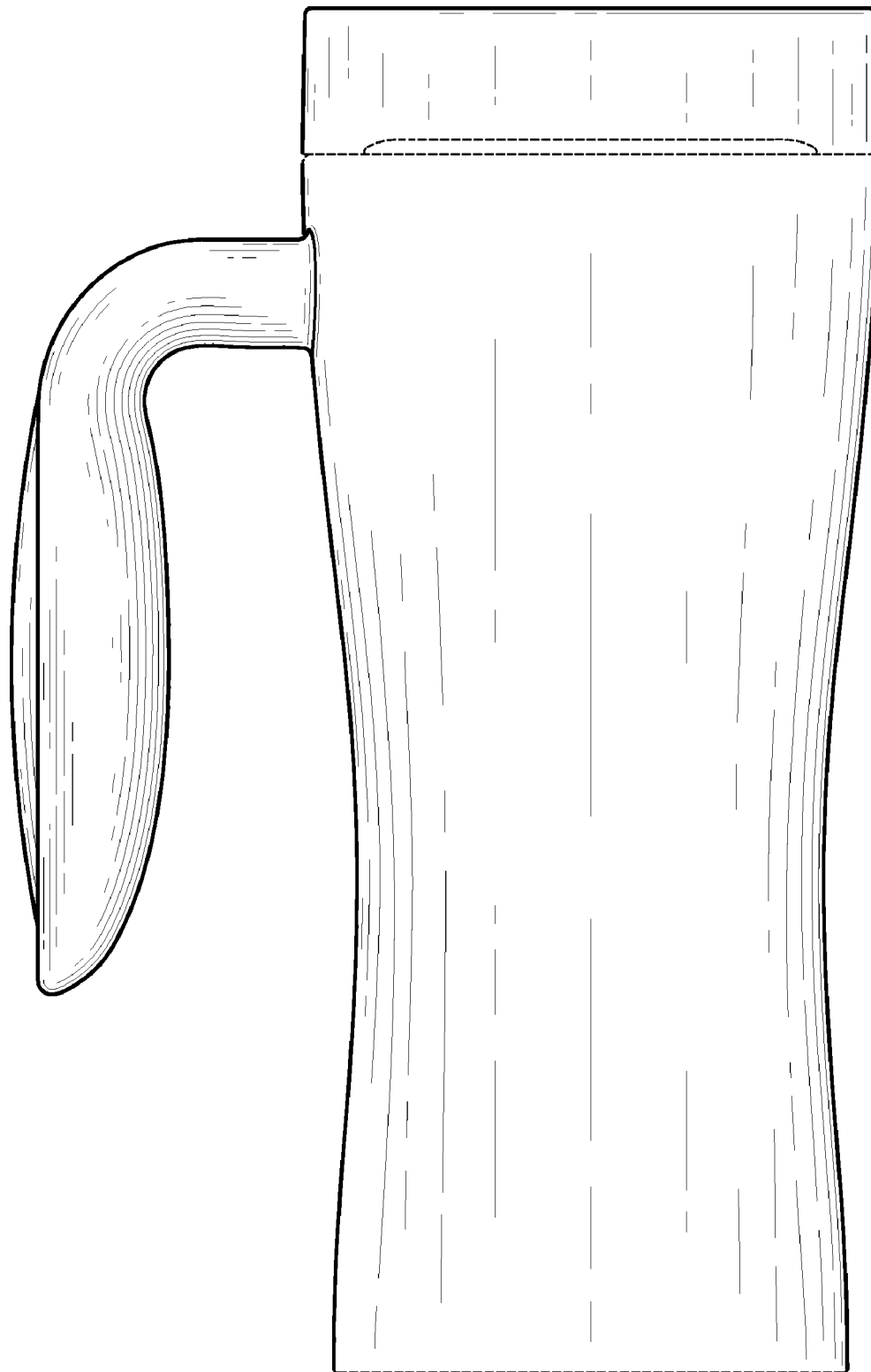


Fig. 11

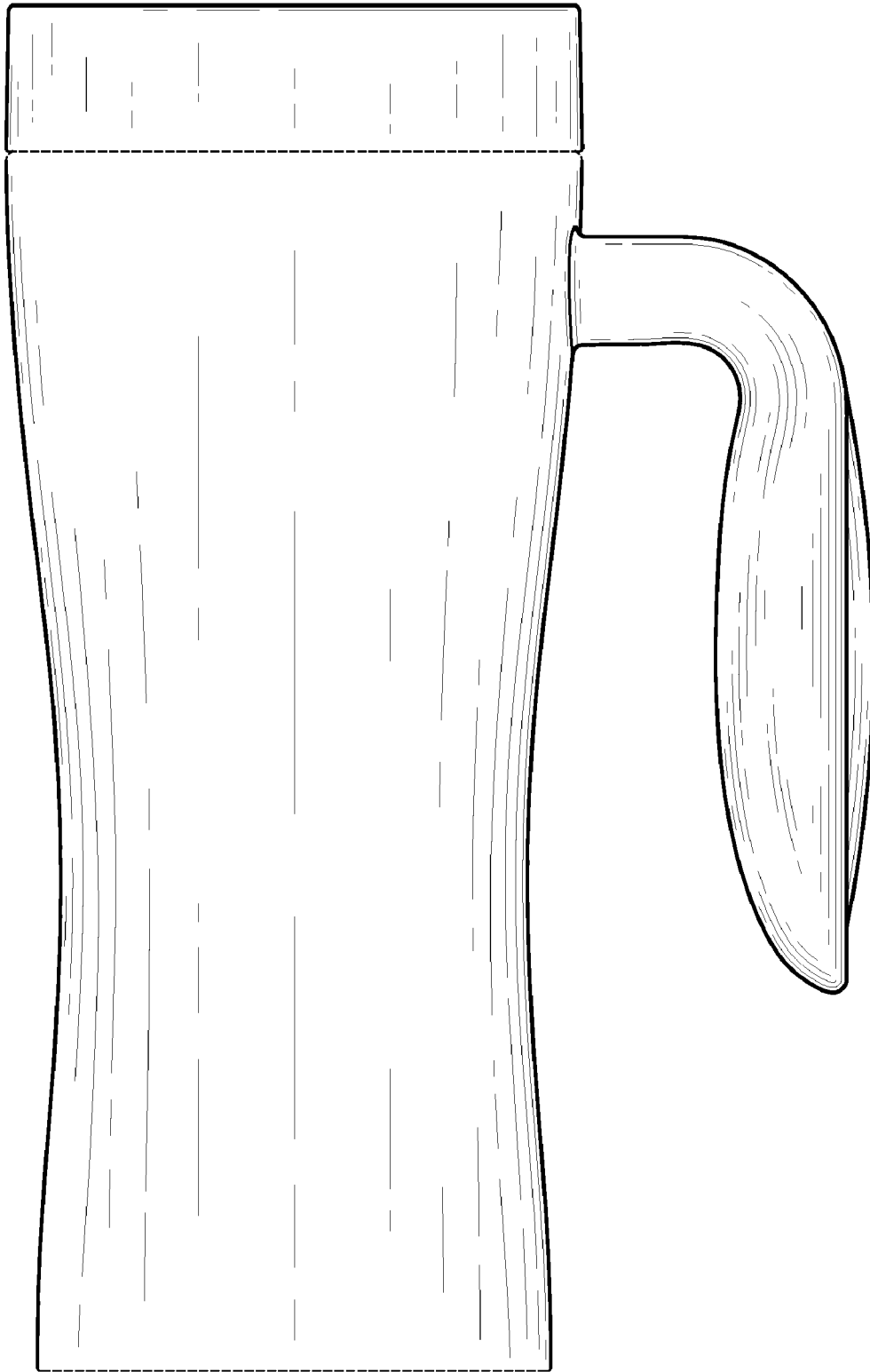


Fig. 12

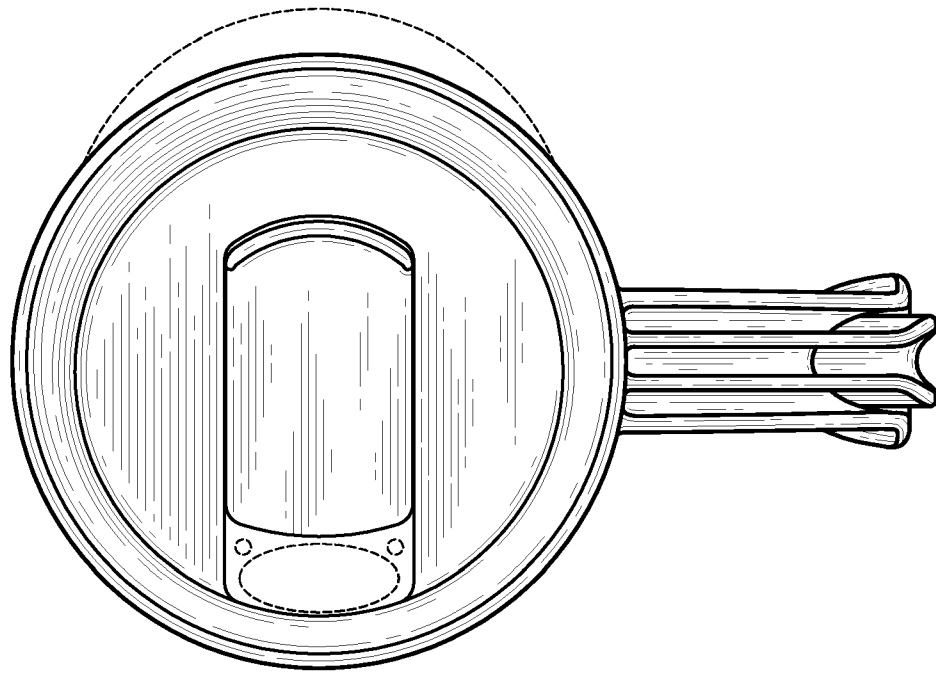


Fig. 13

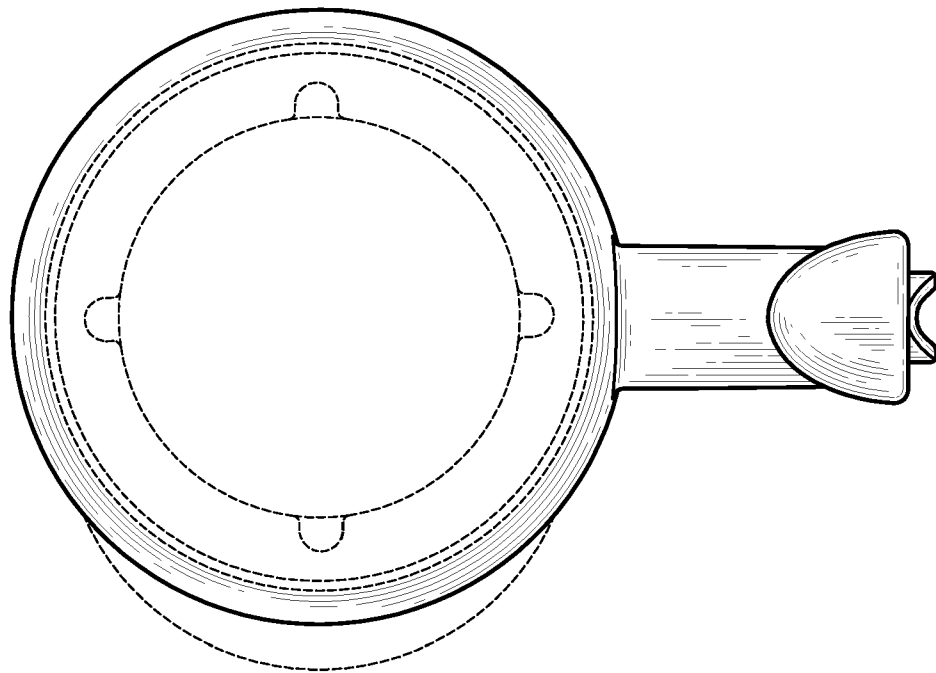


Fig. 14