

(19) World Intellectual Property Organization  
International Bureau



(43) International Publication Date  
6 November 2008 (06.11.2008)

PCT

(10) International Publication Number  
**WO 2008/134570 A3**

- (51) **International Patent Classification:**  
A61M 5/178 (2006.01)
- (21) **International Application Number:**  
PCT/US2008/061653
- (22) **International Filing Date:** 25 April 2008 (25.04.2008)
- (25) **Filing Language:** English
- (26) **Publication Language:** English
- (30) **Priority Data:**  
60/914,470 27 April 2007 (27.04.2007) US
- (71) **Applicant (for all designated States except US):** AMYLIN PHARMACEUTICALS, INC. [US/US]; Intellectual Property Department, 9360 Towne Centre Drive, San Diego, California 92121 (US).
- (72) **Inventors; and**
- (75) **Inventors/Applicants (for US only):** SMITH, Christine [US/US]; c/o Amylin Pharmaceuticals, Inc., 9360 Towne Centre Drive, San Diego, California 92121 (US). HALILL, Rey [US/US]; c/o Amylin Pharmaceuticals, Inc., 9360

- Towne Centre Drive, San Diego, California 92121 (US). **QI, Hong** [US/US]; c/o Amylin Pharmaceuticals, Inc., 9360 Towne Centre Drive, San Diego, California 92121 (US).
- (74) **Common Representative:** AMYLIN PHARMACEUTICALS, INC.; Intellectual Property Department, 9360 Towne Centre Drive, San Diego, California 92121 (US).
- (81) **Designated States (unless otherwise indicated, for every kind of national protection available):** AE, AG, AL, AM, AO, AT, AU, AZ, BA, BB, BG, BH, BR, BW, BY, BZ, CA, CH, CN, CO, CR, CU, CZ, DE, DK, DM, DO, DZ, EC, EE, EG, ES, FI, GB, GD, GE, GH, GM, GT, HN, HR, HU, ID, IL, IN, IS, JP, KE, KG, KM, KN, KP, KR, KZ, LA, LC, LK, LR, LS, LT, LU, LY, MA, MD, ME, MG, MK, MN, MW, MX, MY, MZ, NA, NG, NI, NO, NZ, OM, PG, PH, PL, PT, RO, RS, RU, SC, SD, SE, SG, SK, SL, SM, SV, SY, TJ, TM, TN, TR, TT, TZ, UA, UG, US, UZ, VC, VN, ZA, ZM, ZW.
- (84) **Designated States (unless otherwise indicated, for every kind of regional protection available):** ARIPO (BW, GH,

[Continued on next page]

(54) **Title:** MIXING TOOL

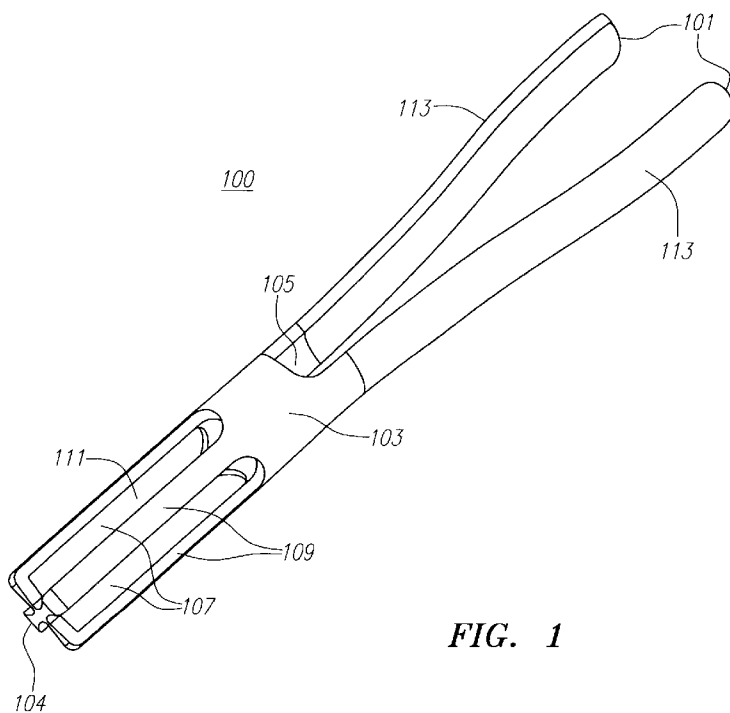


FIG. 1

(57) **Abstract:** The present invention provides devices and methods for mixing a formulation containing two or more constituents, such as a drug product and a diluent. The devices have a chamber for securing a container of the drug product. Various embodiments are presented. In one embodiment the device has two or more sides connected by a hinge, the two or more sides defining the chamber between them, and a handle for grasping and manipulating the device. In another embodiment the device has a housing with two or more side bars defining the chamber, the container being visible from outside the housing between the side bars and having a stopping element at the distal end, and a handle having two arms for grasping.

WO 2008/134570 A3



GM, KE, LS, MW, MZ, NA, SD, SL, SZ, TZ, UG, ZM, ZW), Eurasian (AM, AZ, BY, KG, KZ, MD, RU, TJ, TM), European (AT, BE, BG, CH, CY, CZ, DE, DK, EE, ES, FI, FR, GB, GR, HR, HU, IE, IS, IT, LT, LU, LV, MC, MT, NL, NO, PL, PT, RO, SE, SI, SK, TR), OAPI (BF, BJ, CF, CG, CI, CM, GA, GN, GQ, GW, ML, MR, NE, SN, TD, TG).

**Published:**

— *with international search report*

**(88) Date of publication of the international search report:**  
31 December 2008

**Declarations under Rule 4.17:**

- *as to applicant's entitlement to apply for and be granted a patent (Rule 4.17(ii))*
- *as to the applicant's entitlement to claim the priority of the earlier application (Rule 4.17(iii))*

**INTERNATIONAL SEARCH REPORT**

International application No.

PCT/US2008/061653

**A. CLASSIFICATION OF SUBJECT MATTER**

IPC(8) - A61M 5/178 (2008.04)

USPC - 604/416

According to International Patent Classification (IPC) or to both national classification and IPC

**B. FIELDS SEARCHED**

Minimum documentation searched (classification system followed by classification symbols)

IPC(8) -A61M 5/178 (2008.04)

USPC - 128/753, 765; 604/208, 416

Documentation searched other than minimum documentation to the extent that such documents are included in the fields searched

Electronic data base consulted during the international search (name of data base and, where practicable, search terms used)

PatBase

**C. DOCUMENTS CONSIDERED TO BE RELEVANT**

Category*	Citation of document, with indication, where appropriate, of the relevant passages	Relevant to claim No.
X -- Y	US 6,162,199 A (GERINGER) 19 December 2000 (19.12.2000) entire document	1, 3, 4 ----- 2, 5, 6, 8, 12-13, 16-18
X -- Y	US 5,241,969 A (CARSON et al) 07 September 1993 (07.09.1993) entire document	7, 9-11, 14, 15 ----- 8, 12, 13, 16, 19-22
Y	US 5,385,547 A (WONG et al) 31 January 1995 (31.01.1995) entire document	2, 5, 6, 17-22
Y	US 3,552,387 A (STEVENS) 05 January 1971 (05.01.1971) entire document	18, 20, 22

Further documents are listed in the continuation of Box C.

* Special categories of cited documents:	"T" later document published after the international filing date or priority date and not in conflict with the application but cited to understand the principle or theory underlying the invention
"A" document defining the general state of the art which is not considered to be of particular relevance	"X" document of particular relevance; the claimed invention cannot be considered novel or cannot be considered to involve an inventive step when the document is taken alone
"E" earlier application or patent but published on or after the international filing date	"Y" document of particular relevance; the claimed invention cannot be considered to involve an inventive step when the document is combined with one or more other such documents, such combination being obvious to a person skilled in the art
"L" document which may throw doubts on priority claim(s) or which is cited to establish the publication date of another citation or other special reason (as specified)	"&" document member of the same patent family
"O" document referring to an oral disclosure, use, exhibition or other means	
"P" document published prior to the international filing date but later than the priority date claimed	

Date of the actual completion of the international search

04 September 2008

Date of mailing of the international search report

**16 SEP 2008**

Name and mailing address of the ISA/US

Mail Stop PCT, Attn: ISA/US, Commissioner for Patents  
P.O. Box 1450, Alexandria, Virginia 22313-1450  
Facsimile No. 571-273-3201

Authorized officer:

Blaine R. Copenheaver

PCT Helpdesk: 571-272-4300  
PCT OSP: 571-272-7774