



(51) International Patent Classification:
H05B 33/08 (2006.01)

(21) International Application Number:
PCT/US2008/082934

(22) International Filing Date:
10 November 2008 (10.11.2008)

(25) Filing Language: English

(26) Publication Language: English

(30) Priority Data:
60/988,520 16 November 2007 (16.11.2007) US

(71) Applicant (for all designated States except US): ALLEGRO MICROSYSTEMS, INC. [US/US]; 115 Northeast Cutoff, Worcester, Massachusetts 01615-0036 (US).

(72) Inventors; and

(75) Inventors/Applicants (for US only): SZCZESZYNSKI, Gregory [CA/US]; 9 Logan Road, Nashua, New Hampshire 03063 (US). ALNAHAS, Bassem [US/US]; 322 Hillhaven Road, Manchester, New Hampshire 03104 (US). MANGTANI, Vijay [US/US]; 7 Terramar Lane, Nashua, New Hampshire 03062 (US).

(74) Agents: ROBINSON, Kermit et al.; Daly, Crowley, Mofford & Durkee, LLP, Suite 301A, 354A Turnpike Street, Canton, Massachusetts 02021 (US).

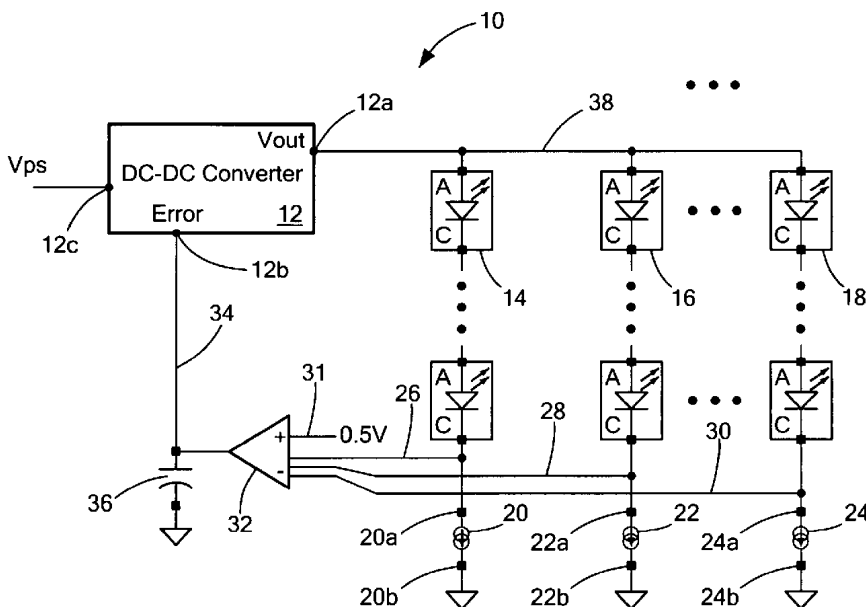
(81) Designated States (unless otherwise indicated, for every kind of national protection available): AE, AG, AL, AM, AO, AT, AU, AZ, BA, BB, BG, BH, BR, BW, BY, BZ, CA, CH, CN, CO, CR, CU, CZ, DE, DK, DM, DO, DZ, EC, EE, EG, ES, FI, GB, GD, GE, GH, GM, GT, HN, HR, HU, ID, IL, IN, IS, JP, KE, KG, KM, KN, KP, KR, KZ, LA, LC, LK, LR, LS, LT, LU, LY, MA, MD, ME, MG, MK, MN, MW, MX, MY, MZ, NA, NG, NI, NO, NZ, OM, PG, PH, PL, PT, RO, RS, RU, SC, SD, SE, SG, SK, SL, SM, ST, SV, SY, TJ, TM, TN, TR, TT, TZ, UA, UG, US, UZ, VC, VN, ZA, ZM, ZW.

(84) Designated States (unless otherwise indicated, for every kind of regional protection available): ARIPO (BW, GH, GM, KE, LS, MW, MZ, NA, SD, SL, SZ, TZ, UG, ZW), Eurasian (AM, AZ, BY, KG, KZ, MD, RU, TJ, TM), European (AT, BE, BG, CH, CY, CZ, DE, DK, EE, ES, FI, FR, GB, GR, HR, HU, IE, IS, IT, LT, LU, LV, MC, MT, NL, NO, PL, PT, RO, SE, SI, SK, TR), OAPI (BF, BJ, CF, CG, CI, CM, GA, GN, GQ, GW, ML, MR, NE, SN, TD, TG).

Declarations under Rule 4.17:

[Continued on next page]

(54) Title: ELECTRONIC CIRCUITS FOR DRIVING SERIES CONNECTED LIGHT EMITTING DIODE STRINGS



(57) Abstract: Electronic circuits provide an error signal to control a regulated output voltage signal generated by a controllable DC-DC converter for driving one or more series connected strings of light emitting diodes.

FIG. 1





- *as to applicant's entitlement to apply for and be granted a patent (Rule 4.17(ii))*
- *as to the applicant's entitlement to claim the priority of the earlier application (Rule 4.17(iii))*
- *before the expiration of the time limit for amending the claims and to be republished in the event of receipt of amendments (Rule 48.2(h))*

(88) Date of publication of the international search report:
4 February 2010

Published:

- *with international search report (Art. 21(3))*

A. CLASSIFICATION OF SUBJECT MATTER
INV. H05B33/08

According to International Patent Classification (IPC) or to both national classification and IPC

B. FIELDS SEARCHED

Minimum documentation searched (classification system followed by classification symbols)
H05B

Documentation searched other than minimum documentation to the extent that such documents are included in the fields searched

Electronic data base consulted during the international search (name of data base and, where practical, search terms used)

EPO-Internal

C. DOCUMENTS CONSIDERED TO BE RELEVANT

Category*	Citation of document, with indication, where appropriate, of the relevant passages	Relevant to claim No.
X	US 2005/243041 A1 (VINN CHARLES [US]) 3 November 2005 (2005-11-03)	1-5, 24
Y	page 1, paragraphs 5, 10, 13; figure 2 page 2, paragraph 19 - page 3, paragraph 29	6-23, 25-27
Y	----- WO 2007/043389 A1 (NAT INST OF ADVANCED IND SCIEN [JP]; SEKIGAWA TOSHIHIRO [JP]; KOIKE HA) 19 April 2007 (2007-04-19) abstract; figures 6, 9	6-10, 25
Y	----- JP 03 196280 A (TOKO INC) 27 August 1991 (1991-08-27) abstract; figures 1-7	6, 25
	----- -/--	

Further documents are listed in the continuation of Box C.

See patent family annex.

* Special categories of cited documents :

- "A" document defining the general state of the art which is not considered to be of particular relevance
- "E" earlier document but published on or after the international filing date
- "L" document which may throw doubts on priority claim(s) or which is cited to establish the publication date of another citation or other special reason (as specified)
- "O" document referring to an oral disclosure, use, exhibition or other means
- "P" document published prior to the international filing date but later than the priority date claimed

- "T" later document published after the international filing date or priority date and not in conflict with the application but cited to understand the principle or theory underlying the invention
- "X" document of particular relevance; the claimed invention cannot be considered novel or cannot be considered to involve an inventive step when the document is taken alone
- "Y" document of particular relevance; the claimed invention cannot be considered to involve an inventive step when the document is combined with one or more other such documents, such combination being obvious to a person skilled in the art.
- "&" document member of the same patent family

Date of the actual completion of the international search

4 December 2009

Date of mailing of the international search report

15/12/2009

Name and mailing address of the ISA/

European Patent Office, P.B. 5818 Patentlaan 2
NL - 2280 HV Rijswijk
Tel. (+31-70) 340-2040,
Fax: (+31-70) 340-3016

Authorized officer

Brosa, Anna-Maria

C(Continuation). DOCUMENTS CONSIDERED TO BE RELEVANT

Category*	Citation of document, with indication, where appropriate, of the relevant passages	Relevant to claim No.
Y	WO 2007/096868 A1 (POWERDSINE LTD [IL]; KORCHARZ DROR [IL]; FERENTZ ALON [IL]; BLAUT RONI) 30 August 2007 (2007-08-30) page 1, paragraph 1; figures 1, 4, 8 page 2, paragraph 11 - page 7, paragraph 38 page 8, paragraphs 45, 50 -----	11-23, 26-28
Y	WO 00/13310 A1 (GOODRICH CO B F [US]) 9 March 2000 (2000-03-09) the whole document -----	16,27
Y	US 6 222 385 B1 (KANG HUN SIK [KR]) 24 April 2001 (2001-04-24) column 3, line 15 - column 4, line 23; figures 3, 4 -----	19-23,28
X	US 2005/243022 A1 (NEGRU SORIN L [US]) 3 November 2005 (2005-11-03) page 4, paragraph 60 - page 5, paragraph 70; figures 6, 7 -----	1-5,24
X	US 2006/139299 A1 (TSUCHIYA KENSHI [JP]) 29 June 2006 (2006-06-29) page 2, paragraph 23 - page 3, paragraph 34; claim 3; figures 2, 3 -----	24
X	US 2007/120506 A1 (GRANT MATTHEW A [US] GRANT MATTHEW ALAN [US]) 31 May 2007 (2007-05-31) page 3, paragraph 27-29; figures 1, 5 page 4, paragraph 33; claim 1 -----	24
A	US 6 822 403 B2 (HORIUCHI SACHITO [JP] ET AL) 23 November 2004 (2004-11-23) cited in the application abstract; figure 1 -----	1-28

Patent document cited in search report	Publication date	Patent family member(s)	Publication date
US 2005243041	A1	03-11-2005	NONE
WO 2007043389	A1	19-04-2007	JP 2007110460 A
JP 3196280	A	27-08-1991	JP 1838652 C
			JP 5047868 B
WO 2007096868	A1	30-08-2007	KR 20080106234 A
WO 0013310	A1	09-03-2000	AU 6022099 A
US 6222385	B1	24-04-2001	KR 20000050586 A
US 2005243022	A1	03-11-2005	NONE
US 2006139299	A1	29-06-2006	JP 2006185942 A
US 2007120506	A1	31-05-2007	WO 2007064694 A2
US 6822403	B2	23-11-2004	CN 1522472 A
			EP 1503430 A1
			WO 03096436 A1
			JP 4177022 B2
			JP 2003332624 A
			TW 226032 B
			US 2004208011 A1