

(19) World Intellectual Property Organization  
International Bureau



(10) International Publication Number  
**WO 2010/138249 A3**

(43) International Publication Date  
2 December 2010 (02.12.2010)

(51) International Patent Classification:  
A61G 7/14 (2006.01) A41D 13/12 (2006.01)  
A61G 7/10 (2006.01)

(21) International Application Number:  
PCT/US2010/031163

(22) International Filing Date:  
15 April 2010 (15.04.2010)

(25) Filing Language: English

(26) Publication Language: English

(30) Priority Data:  
12/473,068 27 May 2009 (27.05.2009) US

(71) Applicant (for all designated States except US): SDS  
MEDICAL SUPPLY LLC [US/US]; 3550 Parkwood  
Blvd, Suite C-302, Frisco, TX 75034 (US).

(72) Inventors; and

(75) Inventors/Applicants (for US only): THOMAS, John,  
A. [US/US]; c/o Sds Medical Supply LLC, 3550 Parkwood  
Blvd, Suite C-302, Frisco, TX 75034 (US). CLIFF-  
FORD, Phillip, A. [US/US]; c/o Sds Medical Supply  
LLC, 3550 Parkwood Blvd, Suite C-302, Frisco, TX  
75034 (US).

(74) Agent: DEGENFELDER, Jeffrey, G.; Carstens & Ca-  
hoon, LLP, P.O. Box 802334, Dallas, TX 75380 (US).

(81) Designated States (unless otherwise indicated, for every  
kind of national protection available): AE, AG, AL, AM,  
AO, AT, AU, AZ, BA, BB, BG, BH, BR, BW, BY, BZ,  
CA, CH, CL, CN, CO, CR, CU, CZ, DE, DK, DM, DO,  
DZ, EC, EE, EG, ES, FI, GB, GD, GE, GH, GM, GT,  
HN, HR, HU, ID, IL, IN, IS, JP, KE, KG, KM, KN, KP,  
KR, KZ, LA, LC, LK, LR, LS, LT, LU, LY, MA, MD,  
ME, MG, MK, MN, MW, MX, MY, MZ, NA, NG, NI,  
NO, NZ, OM, PE, PG, PH, PL, PT, RO, RS, RU, SC, SD,  
SE, SG, SK, SL, SM, ST, SV, SY, TH, TJ, TM, TN, TR,  
TT, TZ, UA, UG, US, UZ, VC, VN, ZA, ZM, ZW.

(84) Designated States (unless otherwise indicated, for every  
kind of regional protection available): ARIPO (BW, GH,  
GM, KE, LR, LS, MW, MZ, NA, SD, SL, SZ, TZ, UG,  
ZM, ZW), Eurasian (AM, AZ, BY, KG, KZ, MD, RU, TJ,  
TM), European (AT, BE, BG, CH, CY, CZ, DE, DK, EE,  
ES, FI, FR, GB, GR, HR, HU, IE, IS, IT, LT, LU, LV,  
MC, MK, MT, NL, NO, PL, PT, RO, SE, SI, SK, SM,  
TR), OAPI (BF, BJ, CF, CG, CI, CM, GA, GN, GQ, GW,  
ML, MR, NE, SN, TD, TG).

Declarations under Rule 4.17:

[Continued on next page]

(54) Title: PATIENT ASSISTANCE DEVICE

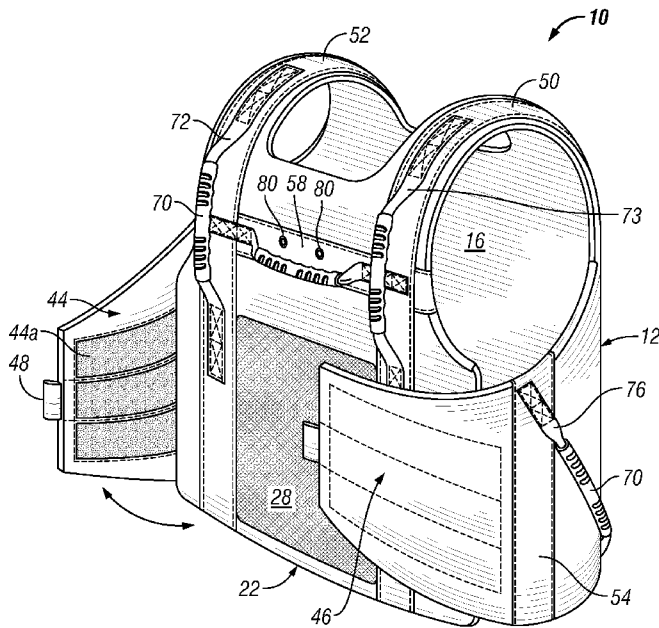


FIG. 1

(57) Abstract: An improved device for assisting a care-  
giver in lifting and moving a patient. The device com-  
prises a unitary garment member having a front panel  
section, a rear panel section and an interconnecting cen-  
tral or middle panel section. The device further includes  
a plurality of integral, reinforced support straps that en-  
hance the structural integrity of the garment member.  
The rear panel section includes two flap portions exten-  
ding laterally on opposing sides of the rear panel section.  
The two flap portions can be pulled forward and at-  
tached to the front panel section whereby the device be-  
comes a vest-type garment that completely surrounds the  
patient's torso. The improved patient assistance device  
includes a plurality of strategically positioned hand  
holds, which provide enhanced leverage enabling a care-  
giver to more easily assist a patient wearing the device to  
move from one position to another.

WO 2010/138249 A3



- *as to applicant's entitlement to apply for and be granted a patent (Rule 4.17(ii))*
- *as to the applicant's entitlement to claim the priority of the earlier application (Rule 4.17(iii))*

**Published:**

- *with international search report (Art. 21(3))*

**(88) Date of publication of the international search report:**  
31 March 2011

## INTERNATIONAL SEARCH REPORT

International application No.  
**PCT/US2010/031163****A. CLASSIFICATION OF SUBJECT MATTER***A61G 7/14(2006.01)i, A61G 7/10(2006.01)i, A41D 13/12(2006.01)i*

According to International Patent Classification (IPC) or to both national classification and IPC

**B. FIELDS SEARCHED**

Minimum documentation searched (classification system followed by classification symbols)

A61G 7/14; A61F 5/37; B60R 22/10; A41D 13/00; B60R 22/14; A61G 15/00; A61F 5/00; A41D 1/04

Documentation searched other than minimum documentation to the extent that such documents are included in the fields searched

Korean utility models and applications for utility models

Japanese utility models and applications for utility models

Electronic data base consulted during the international search (name of data base and, where practicable, search terms used)

eKOMPASS(KIPO internal) &amp; Keywords: garment, vest, patient, strap, and similar terms

**C. DOCUMENTS CONSIDERED TO BE RELEVANT**

Category*	Citation of document, with indication, where appropriate, of the relevant passages	Relevant to claim No.
A	US 5836310 A (RAMONA M. WINTERS; DOROTHY F. HYDE) 17 November 1998 See columns 2, 3; figures 1-4.	1-20
A	US 2006-0161087 A1 (CLAYTON R. CARTER; DAVID M. CARTER) 20 July 2006 See pages 7, 8; figures 10-12.	1-20
A	JP 07-008107 U (FUMITADA CHAO) 03 February 1995 See pages 4-7; figures 1-3.	1-20
A	JP 2002-069717 A (HUMAN AP CO., LTD.) 08 March 2002 See pages 2, 3; figures 1, 2.	1-20
A	KR 20-0261094 Y1 (JUNG, EUNSCO) 19 January 2002 See pages 2, 3; figures 1, 2.	1-20

 Further documents are listed in the continuation of Box C. See patent family annex.

\* Special categories of cited documents:

"A" document defining the general state of the art which is not considered to be of particular relevance

"E" earlier application or patent but published on or after the international filing date

"L" document which may throw doubts on priority claim(s) or which is cited to establish the publication date of citation or other special reason (as specified)

"O" document referring to an oral disclosure, use, exhibition or other means

"P" document published prior to the international filing date but later than the priority date claimed

"T" later document published after the international filing date or priority date and not in conflict with the application but cited to understand the principle or theory underlying the invention

"X" document of particular relevance; the claimed invention cannot be considered novel or cannot be considered to involve an inventive step when the document is taken alone

"Y" document of particular relevance; the claimed invention cannot be considered to involve an inventive step when the document is combined with one or more other such documents, such combination being obvious to a person skilled in the art

"&amp;" document member of the same patent family

Date of the actual completion of the international search

30 NOVEMBER 2010 (30.11.2010)

Date of mailing of the international search report

**30 NOVEMBER 2010 (30.11.2010)**

Name and mailing address of the ISA/KR

Korean Intellectual Property Office  
Government Complex-Daejeon, 139 Seonsa-ro, Seo-  
gu, Daejeon 302-701, Republic of Korea

Facsimile No. 82-42-472-7140

Authorized officer

YUN Gi Woong

Telephone No. 82-42-481-5026



**INTERNATIONAL SEARCH REPORT**

Information on patent family members

International application No.

**PCT/US2010/031163**

Patent document cited in search report	Publication date	Patent family member(s)	Publication date
US 5836310 A	17.11.1998	None	
US 2006-0161087 A1	20.07.2006	WO 2006-078552 A2 WO 2006-078552 A3	27.07.2006 30.04.2009
JP 07-008107 U	03.02.1995	None	
JP 2002-069717 A	08.03.2002	None	
KR 20-0261094 Y1	19.01.2002	None	