



US00D639959S

(12) **United States Design Patent**
Westerlund

(10) **Patent No.:** **US D639,959 S**

(45) **Date of Patent:** **** Jun. 14, 2011**

(54) **DENTAL BITE BLOCK**

(76) Inventor: **Jan Westerlund**, Trollhattan (SE)

(**) Term: **14 Years**

(21) Appl. No.: **29/362,649**

(22) Filed: **May 28, 2010**

(51) **LOC (9) Cl.** **24-01**

(52) **U.S. Cl.** **D24/181**

(58) **Field of Classification Search** D24/176,
D24/180-182, 191, 152; D29/108; 433/2,
433/6, 9, 34, 48, 54, 60, 71, 140, 213, 215,
433/167, 168.1, 172; 128/859, 861-862

See application file for complete search history.

(56) **References Cited**

U.S. PATENT DOCUMENTS

2,857,909	A *	10/1958	Johnson	128/861
3,064,354	A *	11/1962	Pos	433/71
4,114,614	A *	9/1978	Kesling	128/861
4,179,815	A *	12/1979	Hoffman	433/140
4,470,409	A *	9/1984	Prusmack	433/140
5,386,821	A *	2/1995	Poterack	128/861
6,582,229	B1 *	6/2003	Miller et al.	433/213
2006/0110705	A1 *	5/2006	Jensen et al.	433/140

2010/0006110 A1* 1/2010 James, Jr. 128/861
* cited by examiner

Primary Examiner — Ian Simmons

Assistant Examiner — Wan Laymon

(74) *Attorney, Agent, or Firm* — Skinner and Associates

(57) **CLAIM**

The ornamental design for a dental bite block, as shown and described.

DESCRIPTION

FIG. 1 is a perspective view of a dental bite block showing an embodiment of the design of this invention.

FIG. 2 is a top view thereof, the bottom view being symmetrical.

FIG. 3 is a front view thereof.

FIG. 4 is a back view thereof.

FIG. 5 is a left side view thereof.

FIG. 6 is a right side view thereof; and,

FIG. 7 is another perspective view thereof, showing the dental bite block in use. The broken lines shown in this Figure are for illustrative purposes only and form no part of the claimed design.

The design is for a bite block for use with a dental sensor (x-ray) holder.

1 Claim, 3 Drawing Sheets

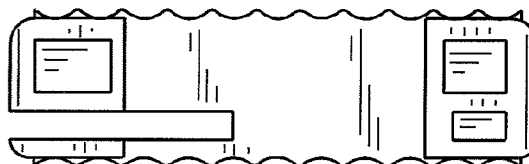
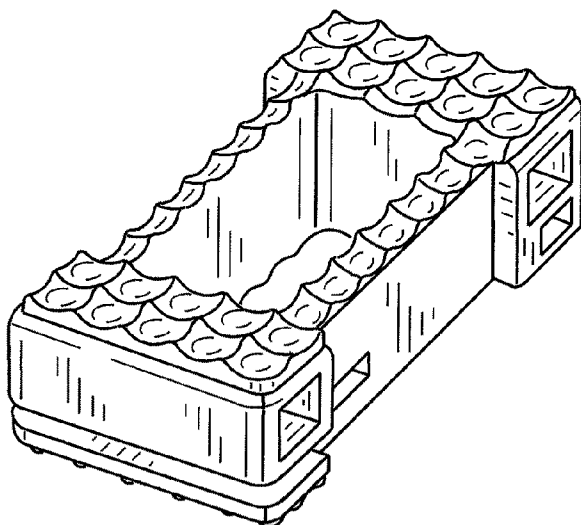


FIG. 1

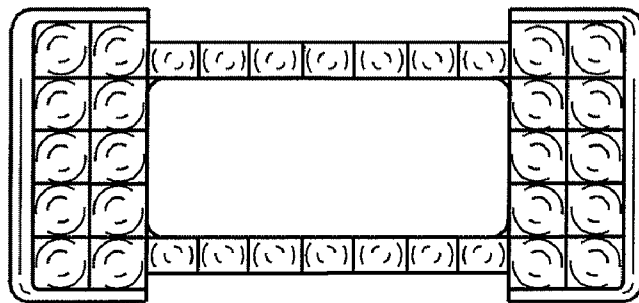
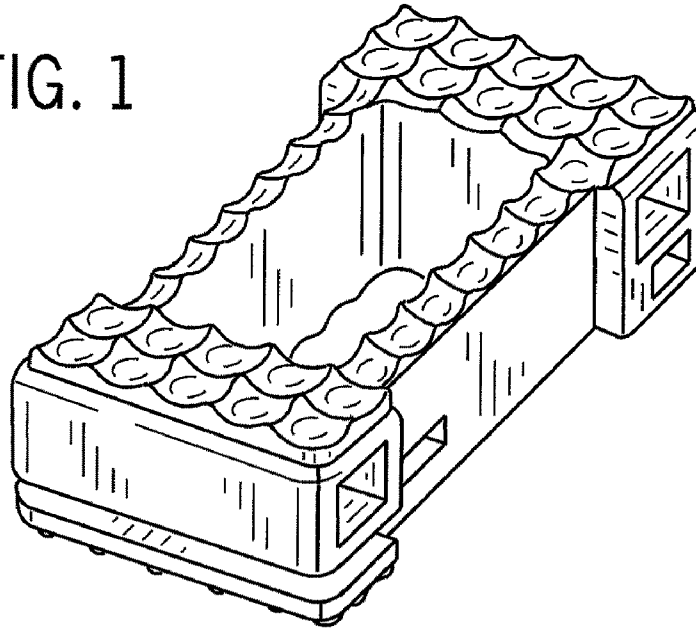


FIG. 2

FIG. 3

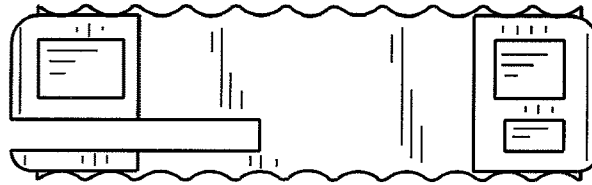


FIG. 4

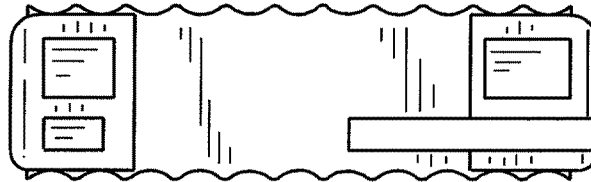


FIG. 5

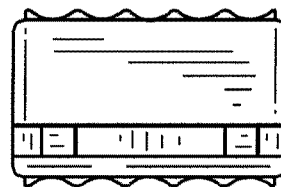
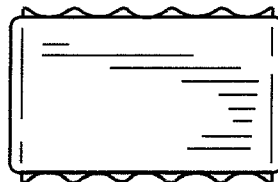


FIG. 6



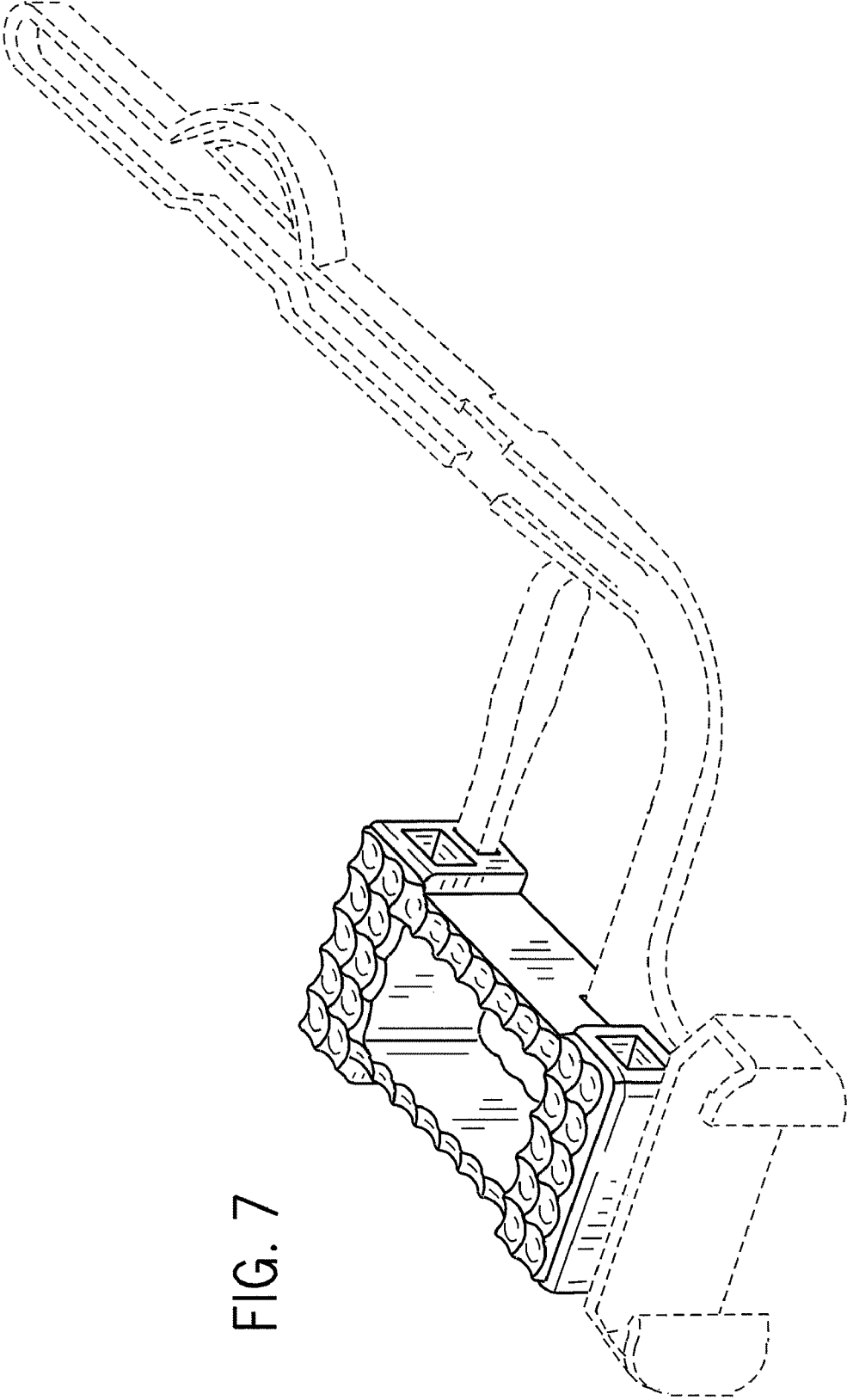


FIG. 7