



US00D719403S

(12) **United States Design Patent**
Halioua

(10) **Patent No.:** **US D719,403 S**

(45) **Date of Patent:** **** Dec. 16, 2014**

(54) **SPOUT FOR DISPENSING BEVERAGES**

(71) Applicant: **Mike Halioua**, Jersey City, NJ (US)

(72) Inventor: **Mike Halioua**, Jersey City, NJ (US)

(73) Assignee: **Home Essentials & Beyond, Inc.**,
Jersey City, NJ (US)

(**) Term: **14 Years**

(21) Appl. No.: **29/471,557**

(22) Filed: **Nov. 1, 2013**

(51) **LOC (10) Cl.** **07-99**

(52) **U.S. Cl.**
USPC **D7/398; D7/397**

(58) **Field of Classification Search**

USPC D7/213, 300, 301, 304, 306, 307, 308,
D7/309, 310, 311, 314, 387, 388, 389, 390,
D7/397, 398, 399, 400; D23/213, 233,
D23/250, 252, 259; 99/275, 280, 323.3;
222/129.1, 144.5; D8/354; 141/362

See application file for complete search history.

(56) **References Cited**

U.S. PATENT DOCUMENTS

D187,905 S *	5/1960	Seltsam	D7/398
D189,335 S	11/1960	Whetstone		
D189,904 S *	3/1961	Seltsam	D7/398
3,104,089 A	9/1963	Seltsam		
D200,566 S *	3/1965	Mango	D7/398
D202,689 S *	11/1965	Relchow	D7/398
D202,690 S *	11/1965	Relchow	D7/398
3,238,963 A *	3/1966	Witzel et al.	137/170.1
D236,658 S *	9/1975	Mitchell	D7/398
D241,841 S	10/1976	Frahm et al.		
D271,273 S *	11/1983	Austin et al.	D7/398
D271,368 S *	11/1983	Belland et al.	D7/398
D272,976 S *	3/1984	LaLumiere	D7/311

5,303,849 A *	4/1994	Credle, Jr.	222/129.1
5,449,144 A	9/1995	Kowalics		
D378,400 S *	3/1997	Kowalics	D23/238
D381,857 S *	8/1997	Swaim	D7/307
D397,769 S *	9/1998	Lobermeier	D23/238
D482,235 S *	11/2003	Yui	D7/398
D493,331 S *	7/2004	Munoz	D7/398
D508,109 S *	8/2005	Roethel	D23/252
D575,104 S *	8/2008	Sommerfield	D7/398
D582,209 S *	12/2008	Thomas	D7/398
D587,964 S *	3/2009	Thomas	D7/398
D602,301 S *	10/2009	Romandy	D7/306
D632,919 S *	2/2011	Sang-Ho	D7/306
D637,867 S	5/2011	Wang		
D647,355 S *	10/2011	Ponzio et al.	D7/307
D652,685 S	1/2012	Carter		
D660,080 S *	5/2012	Littlejohn	D7/398
8,298,492 B2 *	10/2012	Shiotani et al.	422/186.12
D677,100 S *	3/2013	Amundson	D7/306

* cited by examiner

Primary Examiner — Marianne Pandozzi

Assistant Examiner — Jae Liang

(74) *Attorney, Agent, or Firm* — Cozen O'Connor

(57) **CLAIM**

The ornamental design for a spout for dispensing beverages, as shown and described.

DESCRIPTION

FIG. 1 is a perspective view of a spout for dispensing beverages in accordance with the present invention;

FIG. 2 is a front view thereof;

FIG. 3 is a top view thereof;

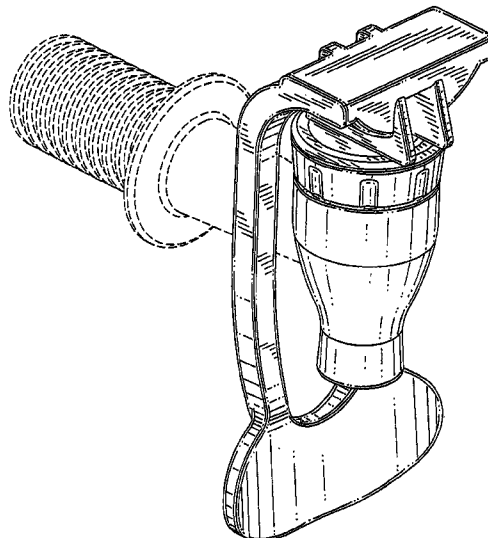
FIG. 4 is a side view thereof;

FIG. 5 is a rear view thereof; and,

FIG. 6 is a bottom view thereof.

The features shown in dashed lines represent environmental structure and do not make up a part of the claimed design.

1 Claim, 6 Drawing Sheets



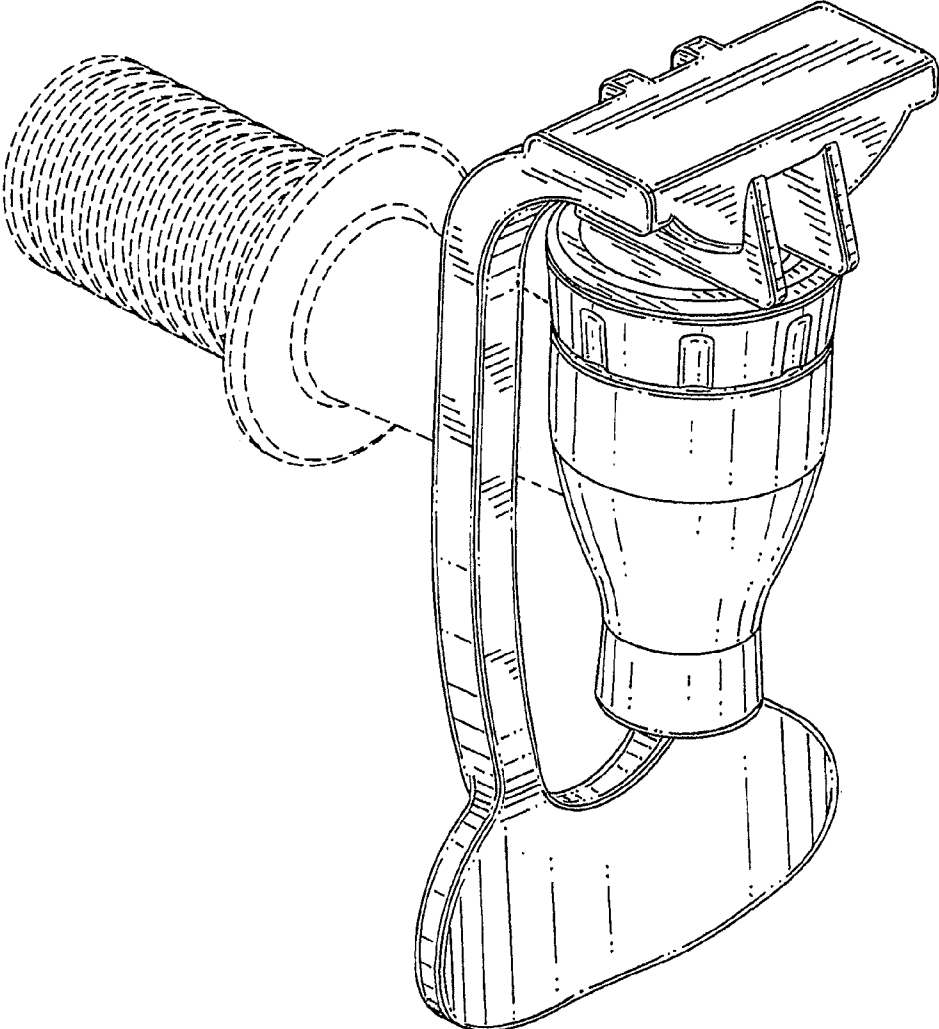


FIG. 1

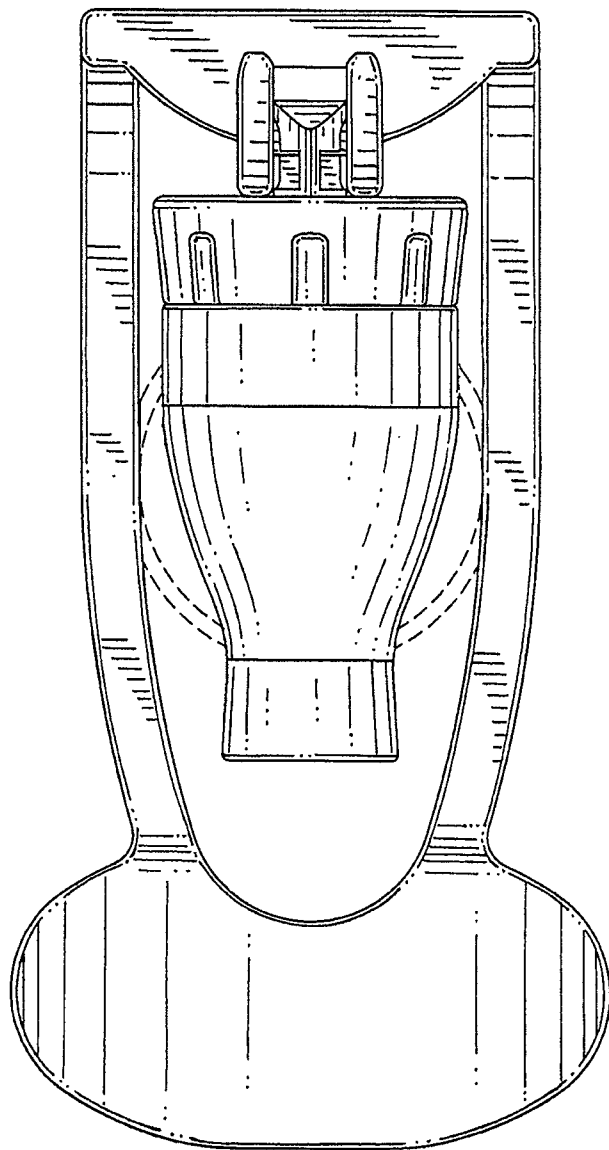


FIG.2

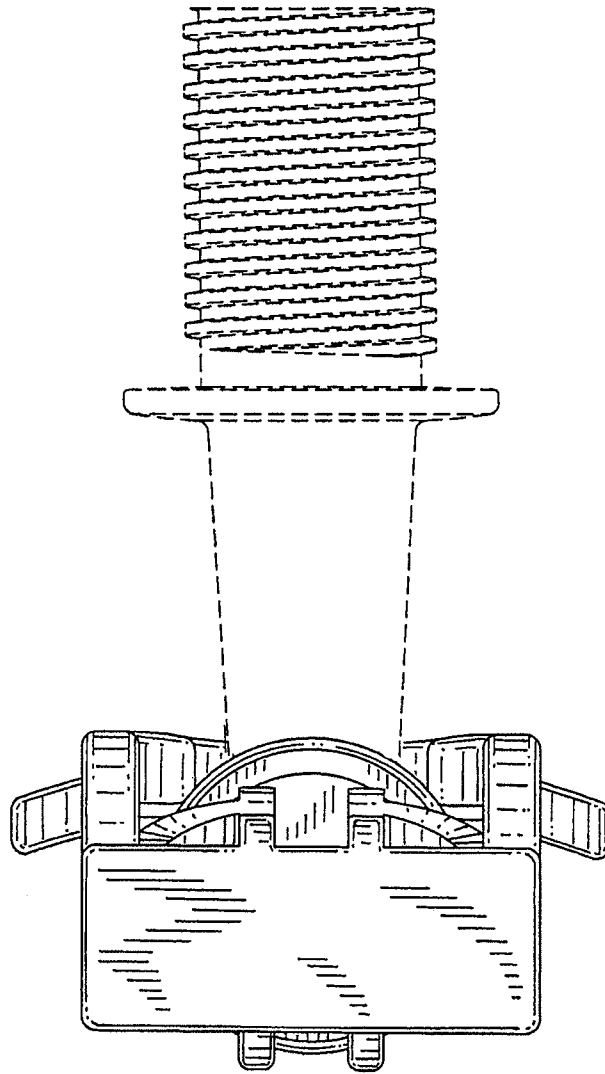


FIG.3

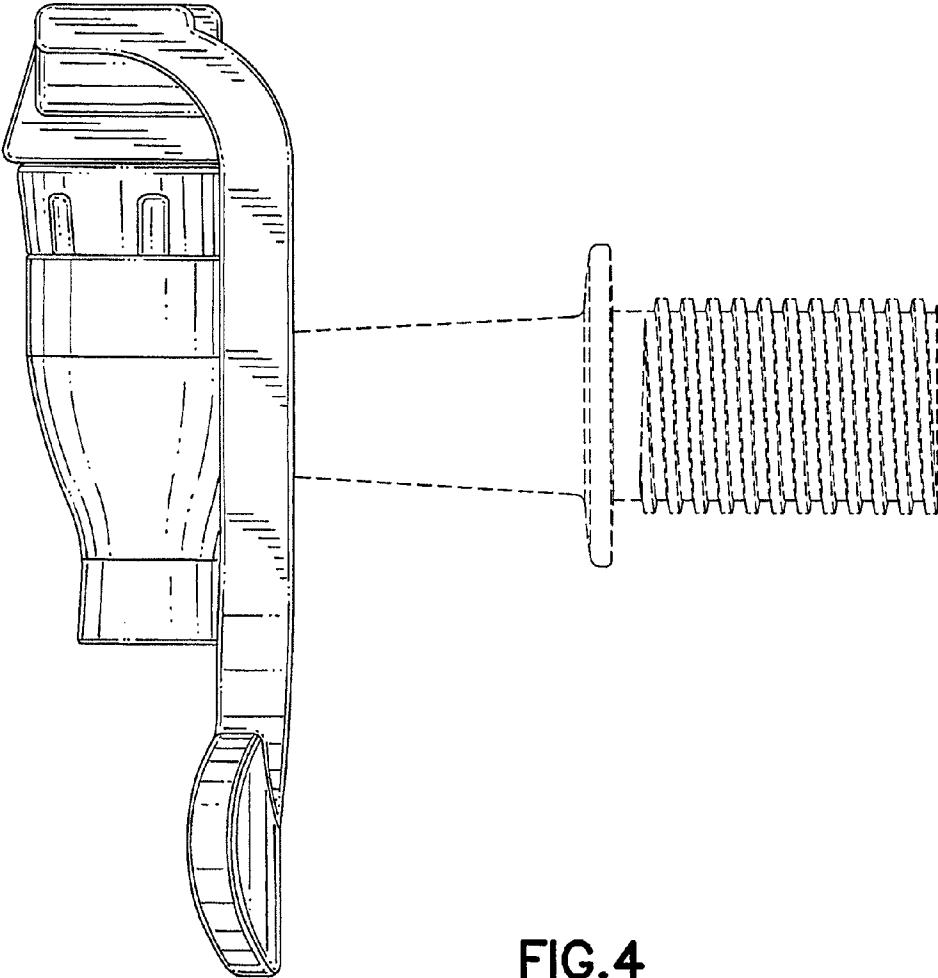


FIG.4

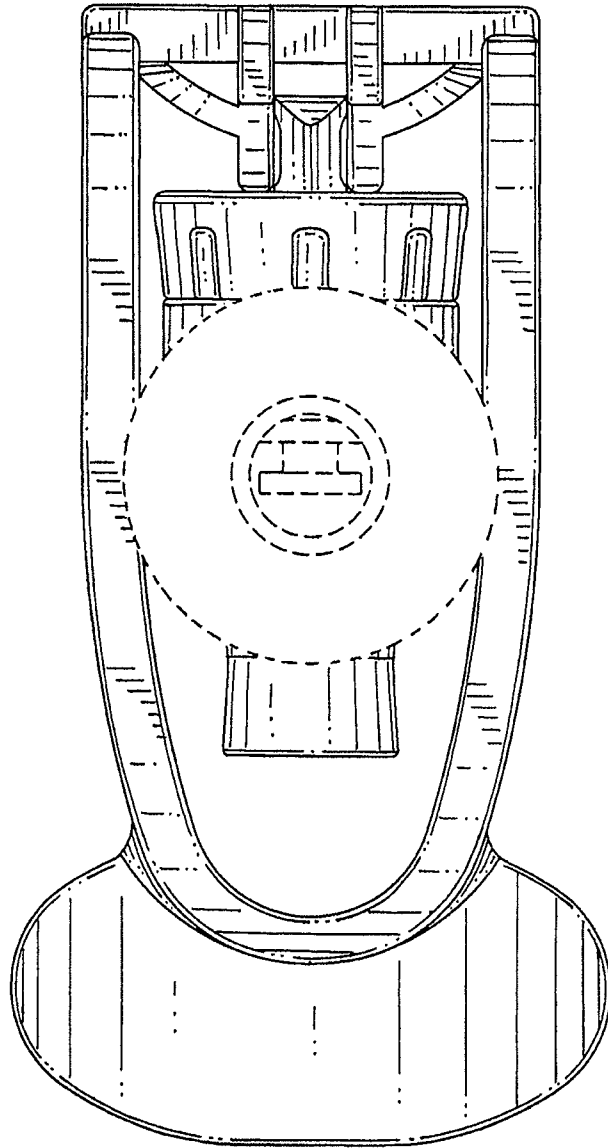


FIG. 5

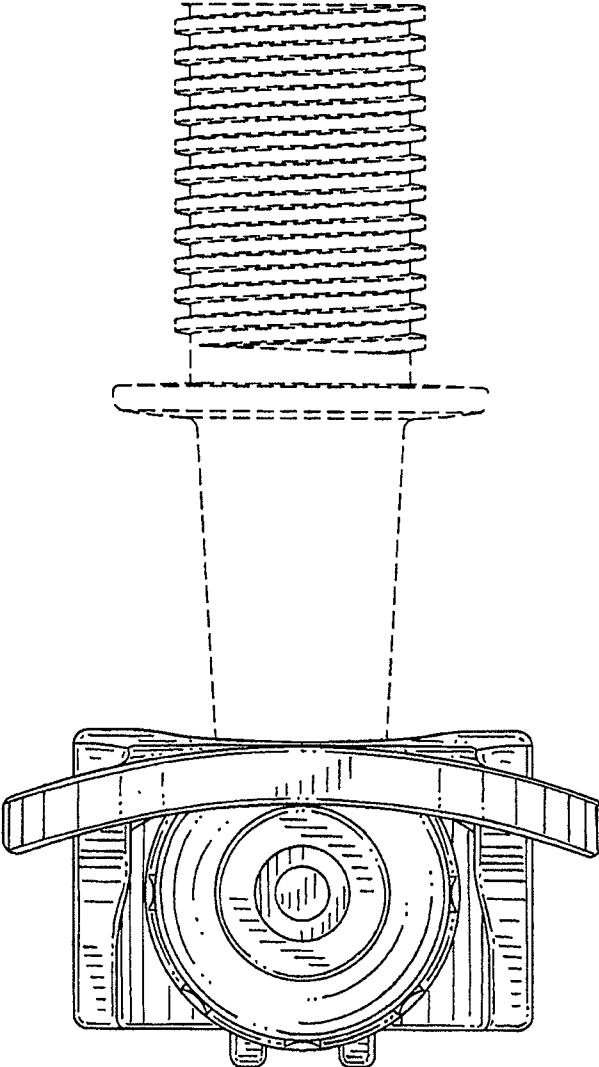


FIG. 6