



(51) International Patent Classification:

B65D 47/24 (2006.01) *B29C 49/42* (2006.01)
B29C 49/00 (2006.01) *B29C 49/08* (2006.01)
B29C 49/54 (2006.01) *B29C 49/04* (2006.01)
B65D 1/02 (2006.01) *B29C 49/06* (2006.01)
B29C 49/18 (2006.01) *B29C 49/48* (2006.01)
B29K 67/00 (2006.01)

(30) Priority Data:

61/432,698 14 January 2011 (14.01.2011) US

(71) Applicant (for all designated States except US): **THE PROCTER & GAMBLE COMPANY** [US/US]; One Procter & Gamble Plaza, Cincinnati, Ohio 45202 (US).

(72) Inventors; and

(75) Inventors/Applicants (for US only): **GERLACH, Christian, Gerhard Friedrich** [DE/BE]; Avenue Burgmann 29, B-1060 Bruxelles (BE). **DESOTO-BURT, Widalys, Luz** [US/US]; 504 Clemray Drive, Cincinnati, Ohio 45231 (US). **ANDRES, Brian, David** [US/US]; 9590 Dick Road, Harrison, Ohio 45030 (US). **NEUFARTH, Ralph, Edwin** [US/US]; 5256 Coventry Court, Liberty Township, Ohio 45011 (US). **DAY, Todd, Mitchell** [US/US]; 12275 Fite Road, Bethel, Ohio 45106 (US). **SATTERFIELD,**

(21) International Application Number:

PCT/US2012/021203

(22) International Filing Date:

13 January 2012 (13.01.2012)

(25) Filing Language:

English

(26) Publication Language:

English

[Continued on next page]

(54) Title: PROCESS FOR THE MANUFACTURE OF AN ARTICLE COMPRISING A RECESS, AND ARTICLE

(57) Abstract: The present invention relates to a process for blowing an article with at least one recess.

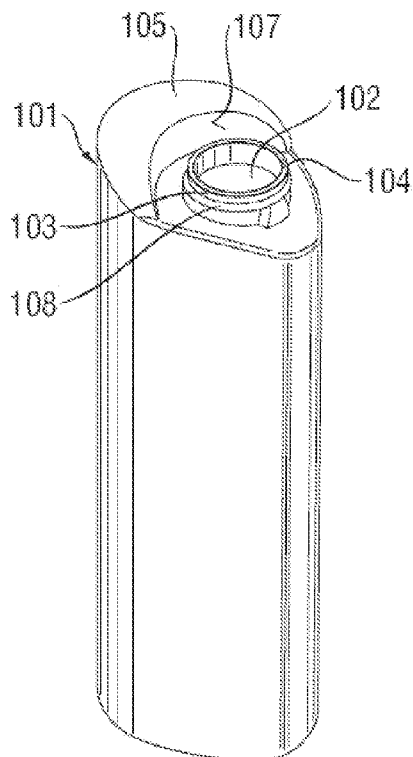


Fig. 1A

WO 2012/097224 A3



Richard, Darren [US/US]; 12691 Neal Road, Bethel, Ohio 45106 (US). **HUANG, Chow-Chi** [US/US]; 9035 Amy Marie Drive, West Chester, Ohio 45069 (US). **HERRERA NALSEN, Miguel, Alberto** [VE/US]; 4210 Oak Tree Court, Loveland, Ohio 45140 (US). **MCCONVILLE, Su-Yon** [US/US]; 4013 Top Flite Lane, Mason, Ohio 45040 (US). **KÜNZ, Johann, Gottlieb** [AT/AT]; Alpla Werke Alwin Lehner GmbH & Co KG, Mockenstrasse 34, A-6971 Hard (AT). **PAGAN, Alfredo** [US/US]; 4425 English Oak Court, Mason, Ohio 45040 (US).

(74) **Common Representative:** **THE PROCTER & GAMBLE COMPANY**; c/o Eileen L. Hughett, Global Patent Services, 299 East Sixth Street, Sycamore Building, 4th Floor, Cincinnati, Ohio 45202 (US).

(81) **Designated States** (*unless otherwise indicated, for every kind of national protection available*): AE, AG, AL, AM, AO, AT, AU, AZ, BA, BB, BG, BH, BR, BW, BY, BZ, CA, CH, CL, CN, CO, CR, CU, CZ, DE, DK, DM, DO, DZ, EC, EE, EG, ES, FI, GB, GD, GE, GH, GM, GT, HN, HR, HU, ID, IL, IN, IS, JP, KE, KG, KM, KN, KP,

KR, KZ, LA, LC, LK, LR, LS, LT, LU, LY, MA, MD, ME, MG, MK, MN, MW, MX, MY, MZ, NA, NG, NI, NO, NZ, OM, PE, PG, PH, PL, PT, QA, RO, RS, RU, RW, SC, SD, SE, SG, SK, SL, SM, ST, SV, SY, TH, TJ, TM, TN, TR, TT, TZ, UA, UG, US, UZ, VC, VN, ZA, ZM, ZW.

(84) **Designated States** (*unless otherwise indicated, for every kind of regional protection available*): ARIPO (BW, GH, GM, KE, LR, LS, MW, MZ, NA, RW, SD, SL, SZ, TZ, UG, ZM, ZW), Eurasian (AM, AZ, BY, KG, KZ, MD, RU, TJ, TM), European (AL, AT, BE, BG, CH, CY, CZ, DE, DK, EE, ES, FI, FR, GB, GR, HR, HU, IE, IS, IT, LT, LU, LV, MC, MK, MT, NL, NO, PL, PT, RO, RS, SE, SI, SK, SM, TR), OAPI (BF, BJ, CF, CG, CI, CM, GA, GN, GQ, GW, ML, MR, NE, SN, TD, TG).

Published:

— *with international search report (Art. 21(3))*

(88) **Date of publication of the international search report:**

24 January 2013

INTERNATIONAL SEARCH REPORT

International application No
PCT/US2012/021203

A. CLASSIFICATION OF SUBJECT MATTER					
INV.	B65D47/24	B29C49/00	B29C49/54	B65D1/02	B29C49/18
	B29K67/00	B29C49/42			
ADD.	B29C49/08	B29C49/04	B29C49/06	B29C49/48	
According to International Patent Classification (IPC) or to both national classification and IPC					

B. FIELDS SEARCHED
Minimum documentation searched (classification system followed by classification symbols) B65D B29L B29C B29K

Documentation searched other than minimum documentation to the extent that such documents are included in the fields searched

Electronic data base consulted during the international search (name of data base and, where practicable, search terms used)
EPO-Internal, WPI Data

C. DOCUMENTS CONSIDERED TO BE RELEVANT

Category*	Citation of document, with indication, where appropriate, of the relevant passages	Relevant to claim No.
X	US 5 505 612 A (MERO CHRISTOPHER [US] ET AL) 9 April 1996 (1996-04-09)	1,2,16
Y	column 4, lines 3-42 column 7, lines 11-51; figures 1-3 -----	3
Y	US 5 921 416 A (UEHARA SHINICHI [JP]) 13 July 1999 (1999-07-13) column 13, lines 5-8; figures 1,2,6 -----	3

Further documents are listed in the continuation of Box C.

See patent family annex.

* Special categories of cited documents :

<p>"A" document defining the general state of the art which is not considered to be of particular relevance</p> <p>"E" earlier application or patent but published on or after the international filing date</p> <p>"L" document which may throw doubts on priority claim(s) or which is cited to establish the publication date of another citation or other special reason (as specified)</p> <p>"O" document referring to an oral disclosure, use, exhibition or other means</p> <p>"P" document published prior to the international filing date but later than the priority date claimed</p>	<p>"T" later document published after the international filing date or priority date and not in conflict with the application but cited to understand the principle or theory underlying the invention</p> <p>"X" document of particular relevance; the claimed invention cannot be considered novel or cannot be considered to involve an inventive step when the document is taken alone</p> <p>"Y" document of particular relevance; the claimed invention cannot be considered to involve an inventive step when the document is combined with one or more other such documents, such combination being obvious to a person skilled in the art</p> <p>"&" document member of the same patent family</p>
---	---

Date of the actual completion of the international search 30 May 2012	Date of mailing of the international search report 20/08/2012
--	--

Name and mailing address of the ISA/ European Patent Office, P.B. 5818 Patentlaan 2 NL - 2280 HV Rijswijk Tel. (+31-70) 340-2040, Fax: (+31-70) 340-3016	Authorized officer Baran, Norbert
--	--

INTERNATIONAL SEARCH REPORT

International application No.
PCT/US2012/021203

Box No. II Observations where certain claims were found unsearchable (Continuation of item 2 of first sheet)

This international search report has not been established in respect of certain claims under Article 17(2)(a) for the following reasons:

1. Claims Nos.:
because they relate to subject matter not required to be searched by this Authority, namely:

2. Claims Nos.:
because they relate to parts of the international application that do not comply with the prescribed requirements to such an extent that no meaningful international search can be carried out, specifically:

3. Claims Nos.:
because they are dependent claims and are not drafted in accordance with the second and third sentences of Rule 6.4(a).

Box No. III Observations where unity of invention is lacking (Continuation of item 3 of first sheet)

This International Searching Authority found multiple inventions in this international application, as follows:

see additional sheet

1. As all required additional search fees were timely paid by the applicant, this international search report covers all searchable claims.

2. As all searchable claims could be searched without effort justifying an additional fees, this Authority did not invite payment of additional fees.

3. As only some of the required additional search fees were timely paid by the applicant, this international search report covers only those claims for which fees were paid, specifically claims Nos.:

4. No required additional search fees were timely paid by the applicant. Consequently, this international search report is restricted to the invention first mentioned in the claims; it is covered by claims Nos.:

1-3, 16

Remark on Protest

- The additional search fees were accompanied by the applicant's protest and, where applicable, the payment of a protest fee.
- The additional search fees were accompanied by the applicant's protest but the applicable protest fee was not paid within the time limit specified in the invitation.
- No protest accompanied the payment of additional search fees.

INTERNATIONAL SEARCH REPORT

Information on patent family members

International application No

PCT/US2012/021203

Patent document cited in search report	Publication date	Patent family member(s)	Publication date
US 5505612	A	09-04-1996	AT 190002 T 15-03-2000
			AU 4931593 A 12-04-1994
			BR 9307087 A 30-03-1999
			CZ 9500715 A3 18-10-1995
			DE 69327975 D1 06-04-2000
			EP 0746457 A1 11-12-1996
			HU 217771 B 28-04-2000
			PL 308178 A1 24-07-1995
			US 5411698 A 02-05-1995
			US 5505612 A 09-04-1996
			WO 9406617 A1 31-03-1994
US 5921416	A	13-07-1999	AU 687063 B2 19-02-1998
			AU 6826994 A 12-12-1994
			BR 9406494 A 09-01-1996
			CA 2162274 C 26-10-1999
			DE 69417737 D1 12-05-1999
			DE 69417737 T2 21-10-1999
			EP 0697950 A1 28-02-1996
			JP 3595571 B2 02-12-2004
			JP 7016915 A 20-01-1995
			NO 954449 A 07-11-1995
			NZ 266660 A 26-02-1998
			US 5921416 A 13-07-1999
			WO 9426498 A1 24-11-1994

FURTHER INFORMATION CONTINUED FROM PCT/ISA/ 210

This International Searching Authority found multiple (groups of) inventions in this international application, as follows:

1. claims: 1-3, 16

A process for the manufacture of a blow molded article, and an article.

2. claims: 1, 4, 16

A process for the manufacture of a blow molded article with an application of a moving plug to form a recess, and an article.

3. claims: 1, 5, 6, 16

A process for the manufacture of a blow molded article with displacing the lateral pull section inserts, and an article.

4. claims: 1, 7-16

A process for the manufacture of a blow molded article with opening the mold via a first displacement of at least one first portion of the mold and a subsequent at least second displacement of at least two segments of a second portion of the mold, and an article.
