



US00D496366S1

(12) **United States Design Patent**  
Croley et al.

(10) **Patent No.:** **US D496,366 S**

(45) **Date of Patent:** **\*\* Sep. 21, 2004**

(54) **MOBILE TERMINAL SHORT HOUSING**

(75) Inventors: **Curt Croley**, Stony Brook, NY (US);  
**Tine Berentzen**, Bellport, NY (US);  
**Jaeh Choi**, Whitestone, NY (US)

(73) Assignee: **Symbol Technologies, Inc.**, Holtsville,  
NY (US)

(\*\*) Term: **14 Years**

(21) Appl. No.: **29/195,424**

(22) Filed: **Dec. 11, 2003**

(51) **LOC (7) Cl.** ..... **14-02**

(52) **U.S. Cl.** ..... **D14/429; D14/341**

(58) **Field of Search** ..... D14/341, 346,  
D14/347, 420, 425, 426, 428, 429, 385,  
439; 235/472.01, 472.02, 472.03; 248/309.1;  
340/539.32; 345/173; 361/680-686

(56) **References Cited**

**U.S. PATENT DOCUMENTS**

D386,152 S	*	11/1997	Warneke	.....	D14/347
5,736,726 A	*	4/1998	VanHorn et al.	.....	235/472.02
5,811,784 A	*	9/1998	Tausch et al.	.....	235/472.01
5,818,027 A	*	10/1998	Paratore	.....	235/472.01
5,831,819 A	*	11/1998	Chacon et al.	.....	361/683
D414,470 S	*	9/1999	Chacon et al.	.....	D14/341

6,031,524 A	*	2/2000	Kunert	.....	345/173
D428,883 S	*	8/2000	Mizusugi et al.	.....	D14/346
6,109,528 A	*	8/2000	Kunert et al.	.....	235/472.01
D439,898 S	*	4/2001	Ober et al.	.....	D14/347
D447,141 S	*	8/2001	Itoh et al.	.....	D14/385
D467,918 S	*	12/2002	Fitch et al.	.....	D14/347
D477,598 S	*	7/2003	Mathiowetz et al.	.....	D14/347

\* cited by examiner

*Primary Examiner*—Freda S. Nunn

(74) *Attorney, Agent, or Firm*—Amin & Turocy, LLP

(57) **CLAIM**

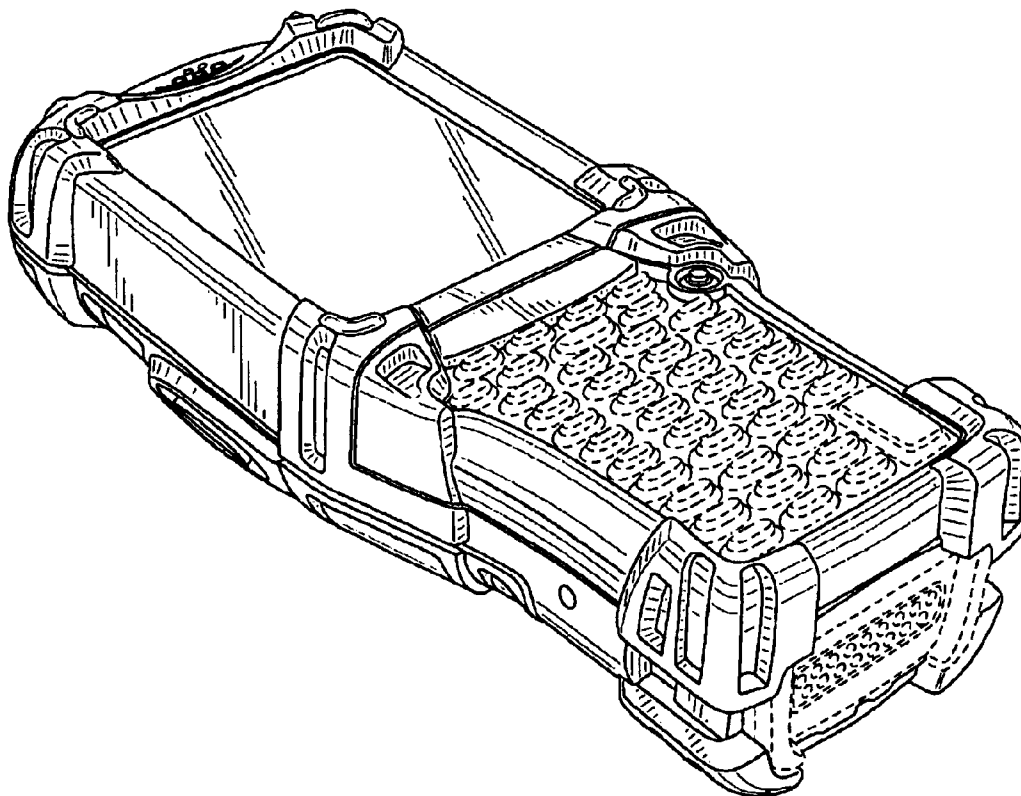
The ornamental design for a mobile terminal short housing, as shown and described.

**DESCRIPTION**

FIG. 1 is perspective view of the front, bottom, and left side of a mobile terminal short housing showing our new design; FIG. 2 is top view thereof; FIG. 3 is a bottom view thereof; FIG. 4 is a left side view thereof; FIG. 5 is a right side view thereof; FIG. 6 is a front view thereof; and, FIG. 7 is a back view thereof.

The broken lines shown in FIGS. 1-7 are for illustrative purposes only and form no part of the claimed design.

**1 Claim, 6 Drawing Sheets**



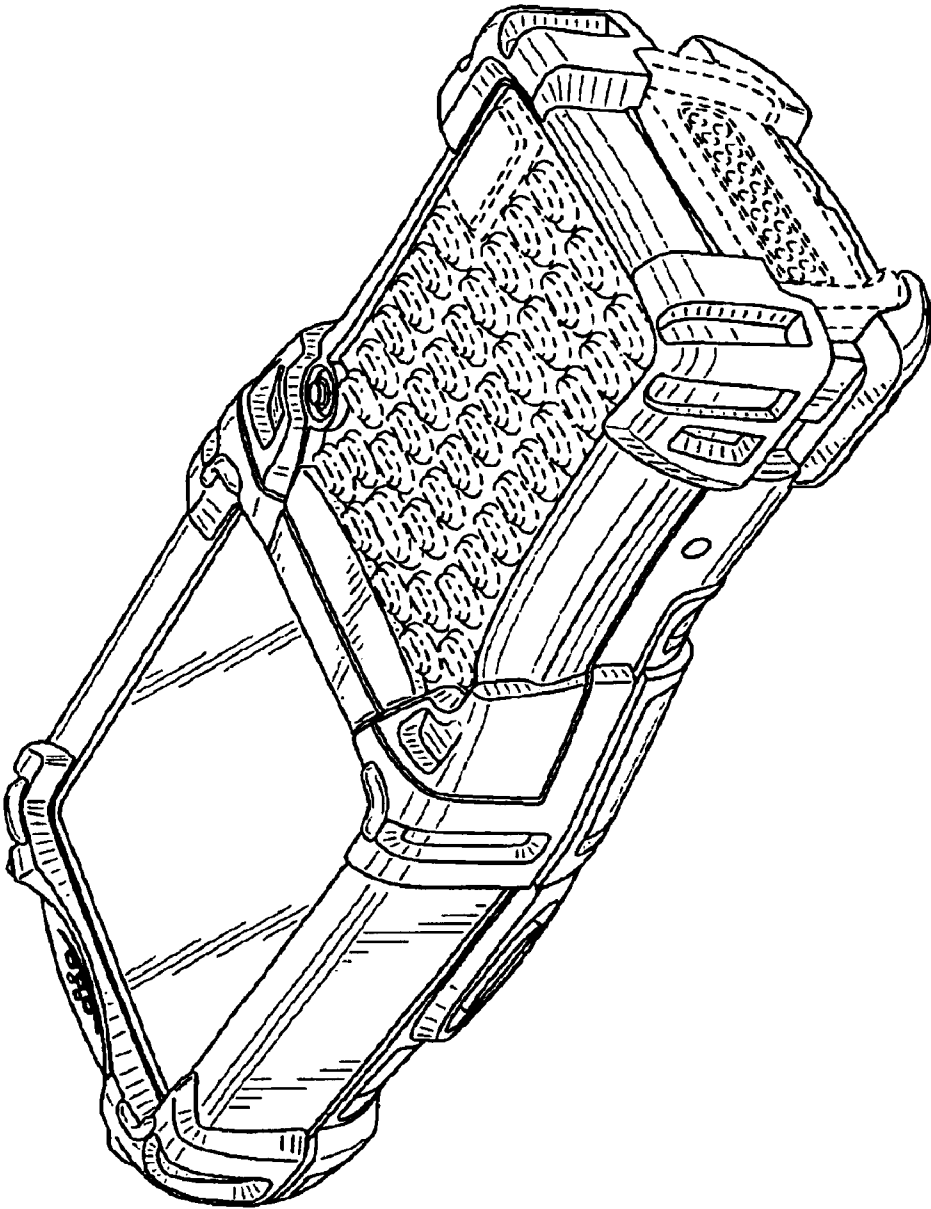


FIG. 1

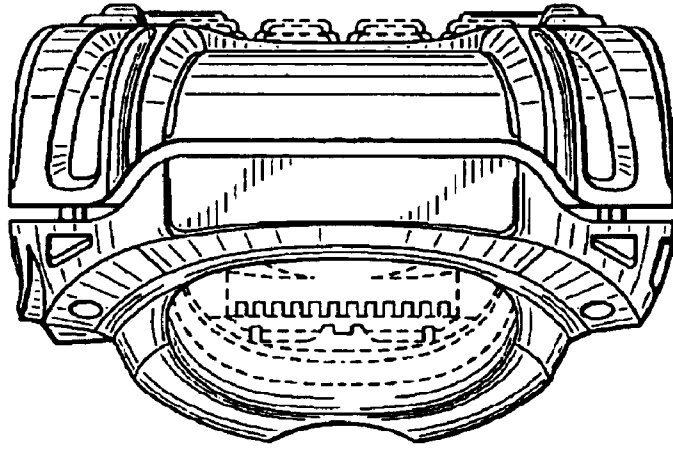


FIG. 2

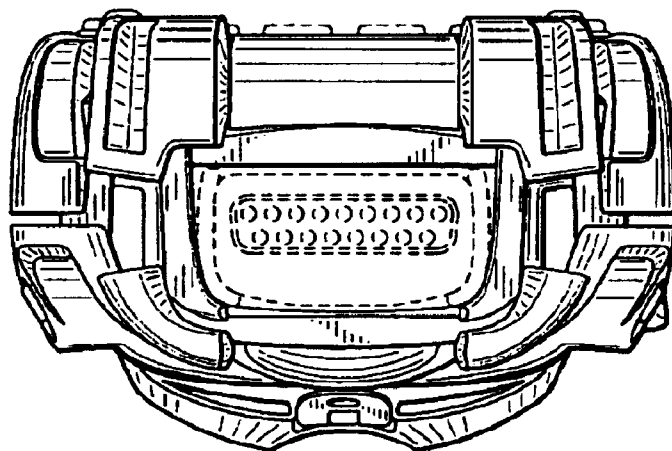


FIG. 3

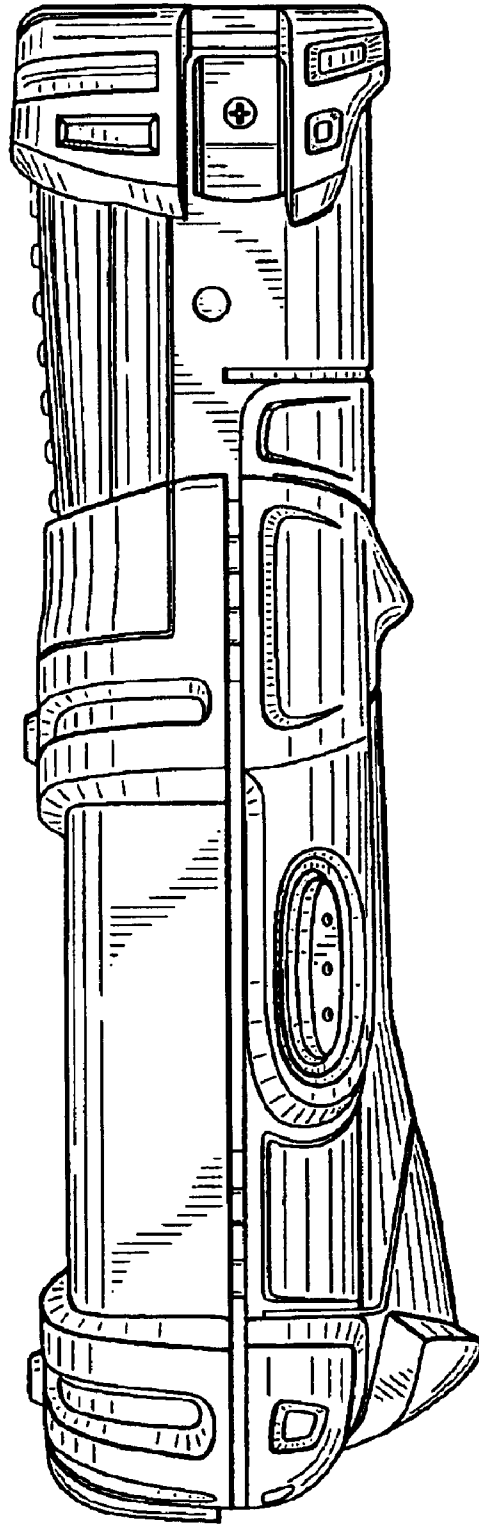


FIG. 4

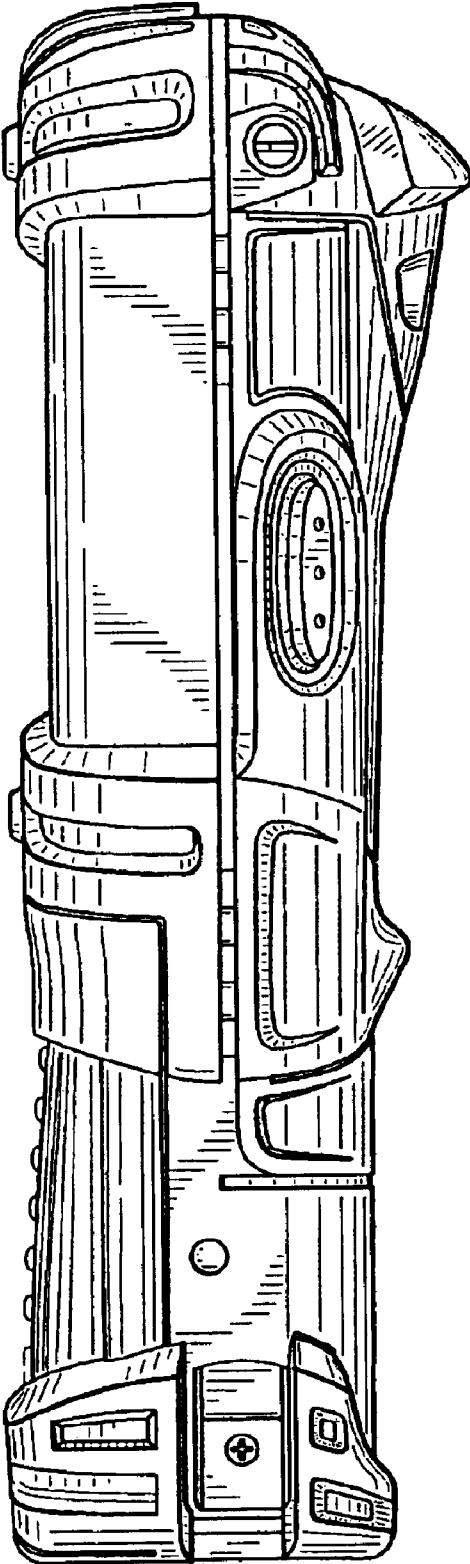


FIG. 5

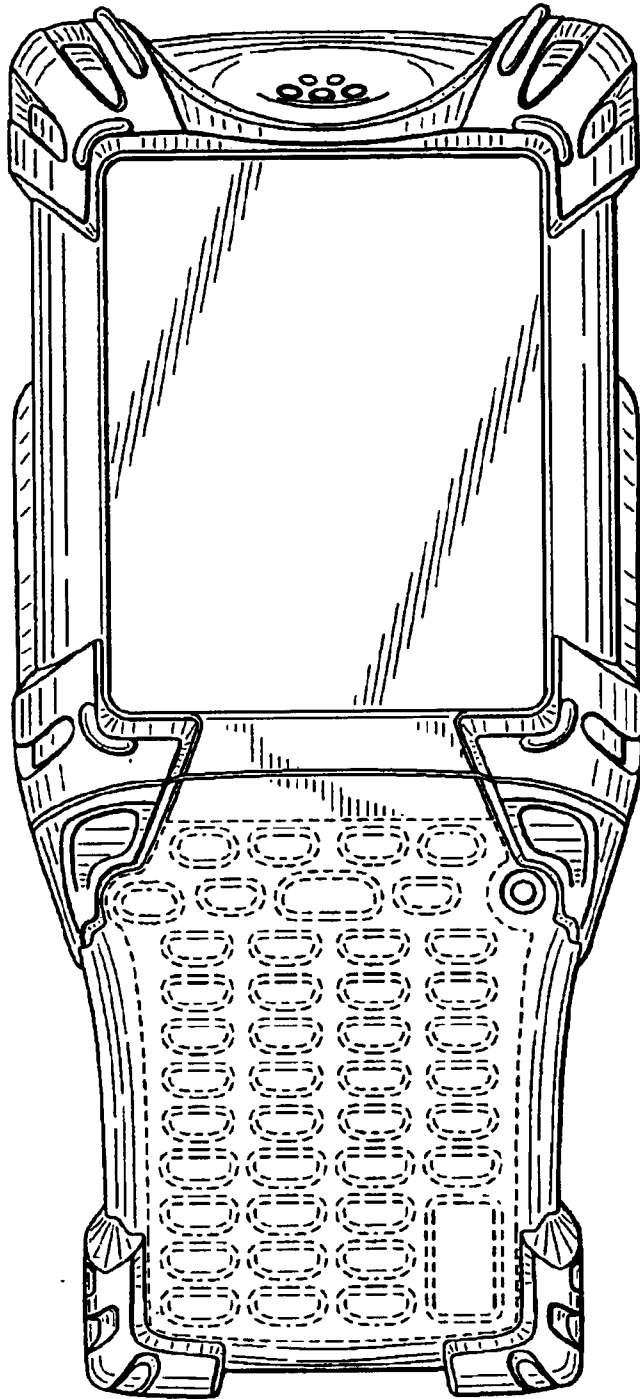


FIG. 6

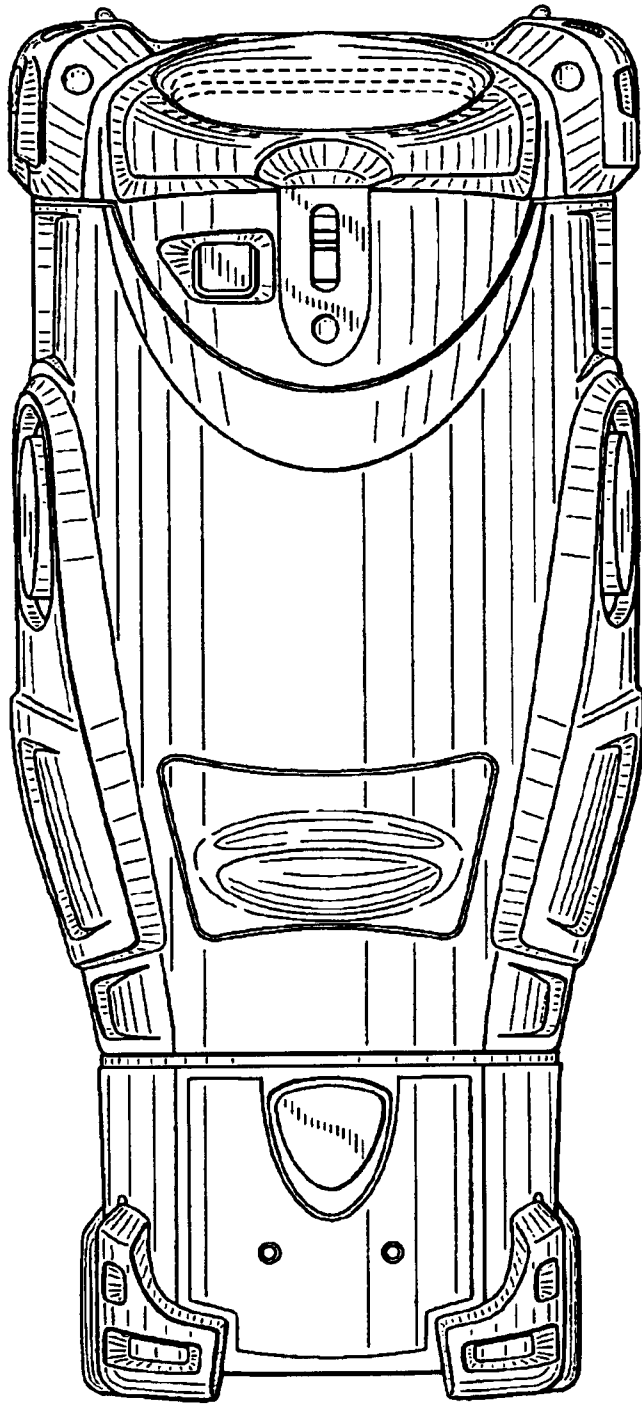


FIG. 7