



US00D423643S

United States Patent [19]
McLennan et al.

[11] **Patent Number: Des. 423,643**
[45] **Date of Patent: ** Apr. 25, 2000**

[54] **VALVE HOUSING**

[75] Inventors: **W. Ross McLennan**, Easton; **Kevin J. Simko**, Bethlehem, both of Pa.; **Douglas R. Dole**, Whitehouse Station, N.J.; **Andrzej W. Domagala**, Nazareth, Pa.

[73] Assignee: **Victaulic Company of America**, Easton, Pa.

[**] Term: **14 Years**

[21] Appl. No.: **29/110,153**

[22] Filed: **Aug. 31, 1999**

[51] **LOC (6) Cl.** **23-01**

[52] **U.S. Cl.** **D23/233**

[58] **Field of Search** **D23/233-237, D23/244-5; 251/305, 248, 249.5, 250, 30.01**

[56] **References Cited**

U.S. PATENT DOCUMENTS

D. 25,720	6/1896	Lunken	D23/244
D. 215,156	9/1969	Gaglio et al.	D23/244
1,483,631	2/1924	Forbes	D23/244
1,519,231	12/1924	Benjamin	D23/244
4,679,764	7/1987	Smith et al.	251/30.01

OTHER PUBLICATIONS

Victaulic Series 704 Butterfly Valve (Victaulic Company of America catalog, May 1982).
Victaulic 300 Butterfly Valve (Victaulic Company of America catalog, Sep. 1995).

Victaulic 706 and 709 Butterfly Valve (Victaulic Company of America catalog, Sep. 1997).
The Central Sprinkler Company BFV Control Valve (Central Sprinkler Company brochure, 1997).
Grinnell/Gruvlok Butterfly Valve, Series 7700 [Grinnell/Gruvlok catalog (undated)].
The Norriseal M175 Series Valves [Norriseal brochure, Dec. 1993].

Primary Examiner—Robin V. Taylor
Attorney, Agent, or Firm—Abelman, Frayne & Schwab

[57] **CLAIM**

I claim the ornamental design for a valve housing, as shown and described.

DESCRIPTION

FIG. 1 is a perspective view, showing a first embodiment of our invention, from the front left hand side;
FIG. 2 is a top view thereof;
FIG. 3 is a rear view thereof;
FIG. 4 is a left side view thereof, the right side being a mirror image;
FIG. 5 is a front view thereof;
FIG. 6 is a bottom view thereof;
FIG. 7 is a perspective view corresponding to FIG. 1, but showing a second embodiment of our invention; and,
FIG. 8 is a view corresponding to FIG. 1, but showing a third embodiment of our invention.

The broken line showing is for illustrative purposes only and forms no part of the claimed design.

1 Claim, 4 Drawing Sheets

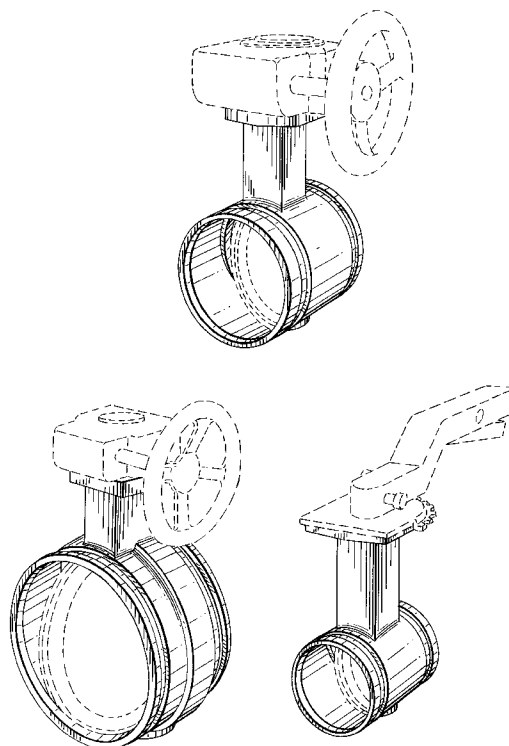


FIG. 2

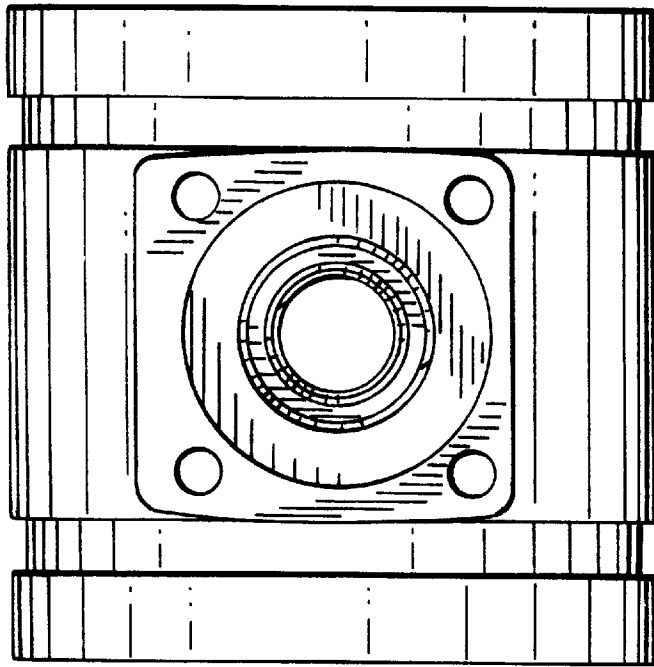
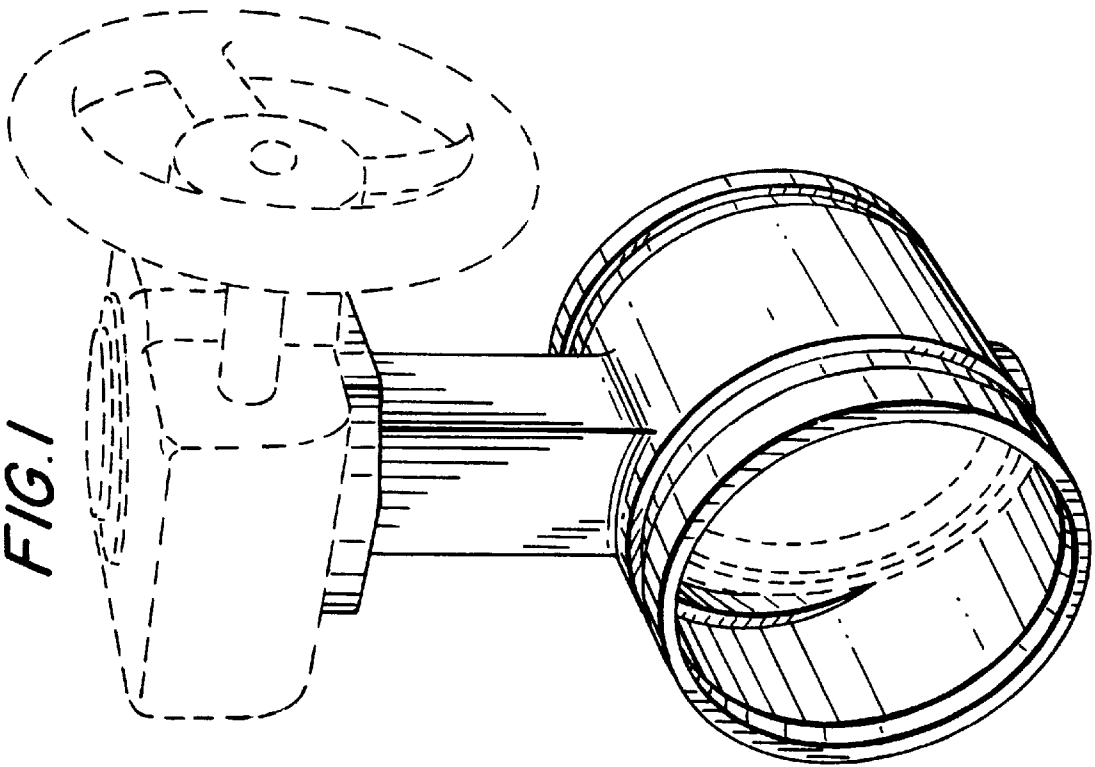


FIG. 1



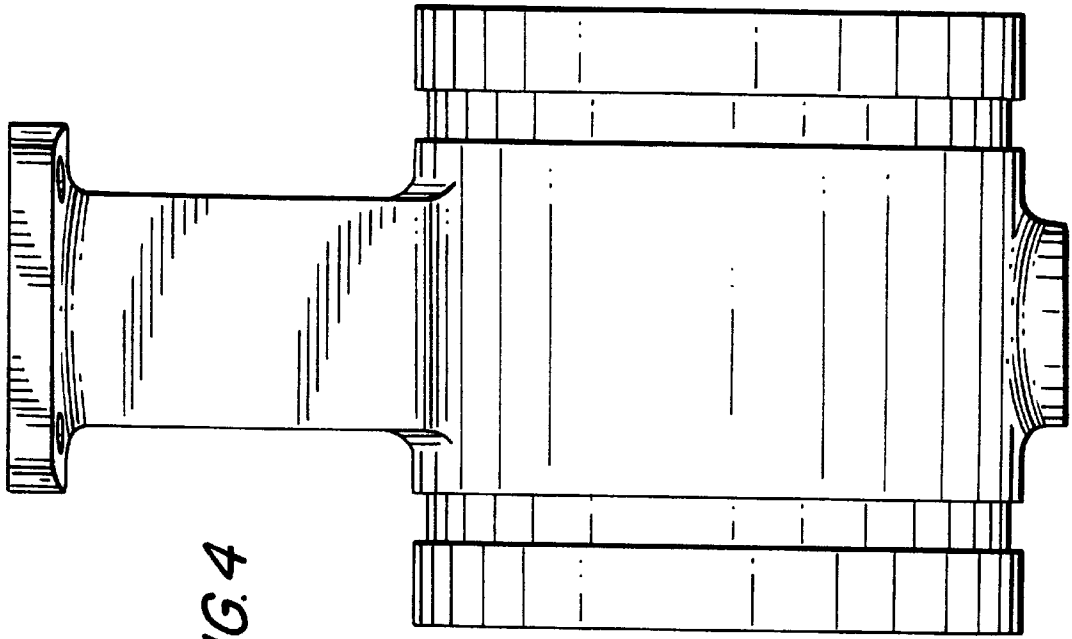


FIG. 4

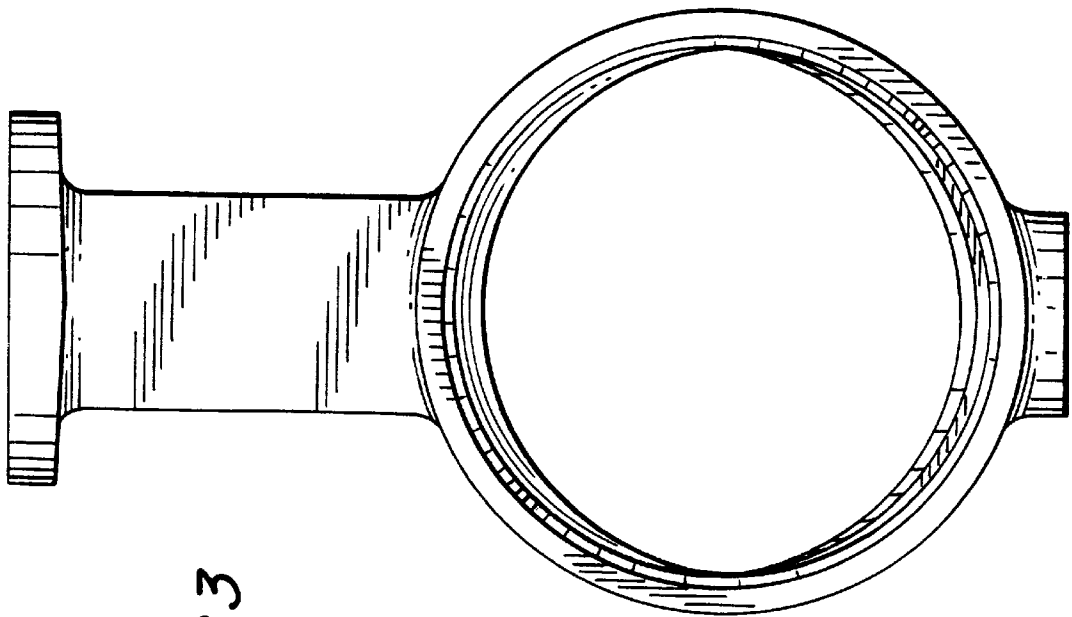


FIG. 3

FIG.6

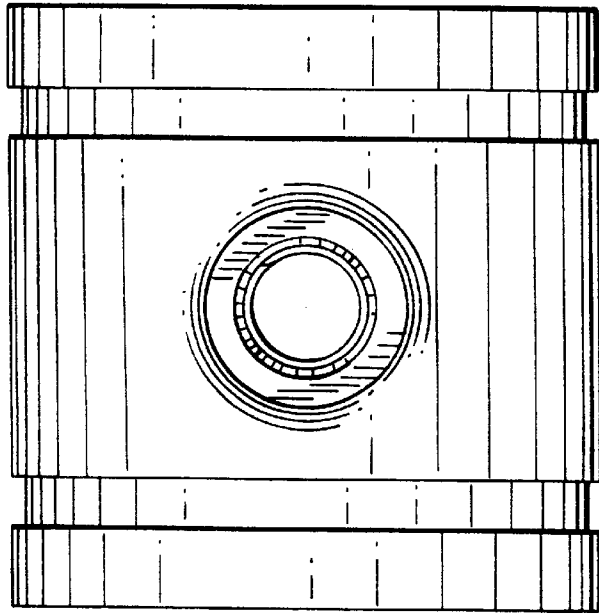


FIG.5

