

(19) World Intellectual Property Organization
International Bureau



(43) International Publication Date
18 September 2008 (18.09.2008)

PCT

(10) International Publication Number
WO 2008/111994 A1

- (51) International Patent Classification:
G06K 9/00 (2006.01)
- (21) International Application Number:
PCT/US2007/073886
- (22) International Filing Date: 19 July 2007 (19.07.2007)
- (25) Filing Language: English
- (26) Publication Language: English
- (30) Priority Data:
11/458,607 19 July 2006 (19.07.2006) US
11/458,619 19 July 2006 (19.07.2006) US
- (71) Applicants (for all designated States except US): LU-MIDIGM, INC. [US/US]; 800 Bradbury SE, Suite 213, Albuquerque, NM 87106 (US). DOUCET, Todd [US/US]; 6350 Eubank Boulevard NE, #1024, Albuquerque, NM 87111 (US).
- (72) Inventors; and
- (75) Inventors/Applicants (for US only): ROWE, Robert, K. [US/US]; 229 Ashley Lane, Corrales, NM 87048 (US). CORCORAN, Stephen, P. [US/US]; 100 Rivera Lane,

Corrales, NM 87048 (US). NIXON, Kristin, A. [US/US]; 5916 Canyon Ridge Place NE, Albuquerque, NM 87111 (US). MARTIN, Ryan [US/US]; 11000 Elvin Avenue NE, Albuquerque, NM 87112 (US).

(74) Agents: BOUCHER, Patrick, M. et al.; Townsend and Townsend and Crew LLP, 1200 Seventeenth Street, Suite 2700, Denver, CO 80202 (US).

(81) Designated States (unless otherwise indicated, for every kind of national protection available): AE, AG, AL, AM, AT, AU, AZ, BA, BB, BG, BH, BR, BW, BY, BZ, CA, CH, CN, CO, CR, CU, CZ, DE, DK, DM, DO, DZ, EC, EE, EG, ES, FI, GB, GD, GE, GH, GM, GT, HN, HR, HU, ID, IL, IN, IS, JP, KE, KG, KM, KN, KP, KR, KZ, LA, LC, LK, LR, LS, LT, LU, LY, MA, MD, ME, MG, MK, MN, MW, MX, MY, MZ, NA, NG, NI, NO, NZ, OM, PG, PH, PL, PT, RO, RS, RU, SC, SD, SE, SG, SK, SL, SM, SV, SY, TJ, TM, TN, TR, TT, TZ, UA, UG, US, UZ, VC, VN, ZA, ZM, ZW.

(84) Designated States (unless otherwise indicated, for every kind of regional protection available): ARIPO (BW, GH,

[Continued on next page]

(54) Title: SPECTRAL BIOMETRICS SENSOR

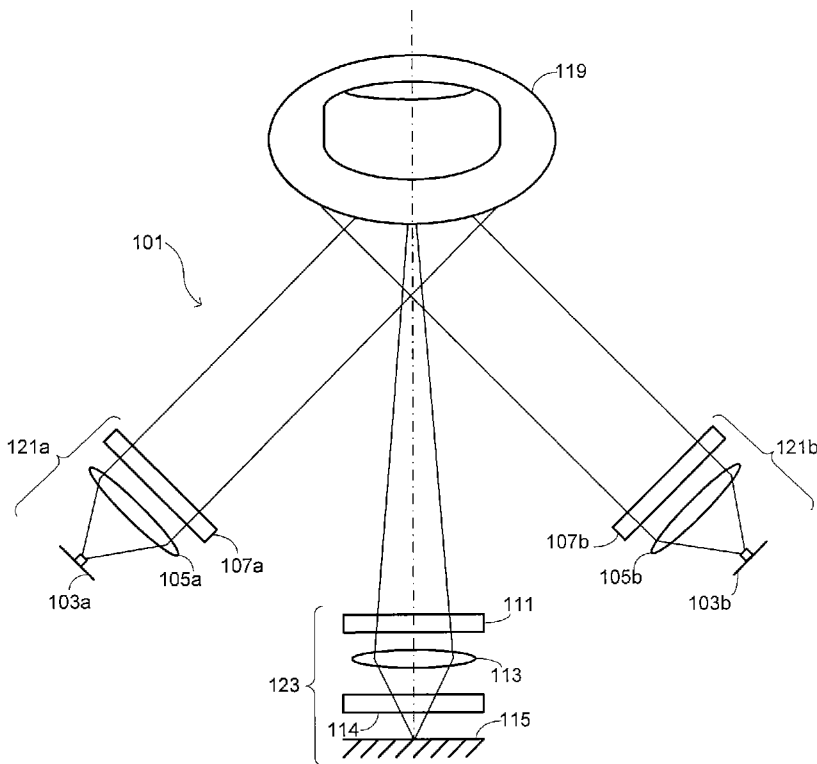


Fig. 1

(57) Abstract: Methods and systems are provided for performing a biometric function. A purported skin site of an individual is illuminated with illumination light. The purported skin site is in contact with a surface. Light scattered from the purported skin site is received in a plane that includes the surface. An image is formed from the received light. An image-texture measure is generated from the image. The generated image-texture measure is analyzed to perform the biometric function.

WO 2008/111994 A1



GM, KE, LS, MW, MZ, NA, SD, SL, SZ, TZ, UG, ZM, ZW), Eurasian (AM, AZ, BY, KG, KZ, MD, RU, TJ, TM), European (AT, BE, BG, CH, CY, CZ, DE, DK, EE, ES, FI, FR, GB, GR, HU, IE, IS, IT, LT, LU, LV, MC, MT, NL, PL, PT, RO, SE, SI, SK, TR), OAPI (BF, BJ, CF, CG, CI, CM, GA, GN, GQ, GW, ML, MR, NE, SN, TD, TG).

Published:

- *with international search report*
- *before the expiration of the time limit for amending the claims and to be republished in the event of receipt of amendments*

SPECTRAL BIOMETRICS SENSOR

CROSS-REFERENCES TO RELATED APPLICATIONS

5 [0001] This application is a continuation-in-part of copending U.S. Pat. Appl. No. 10/818,698, entitled "MULTISPECTRAL BIOMETRIC SENSOR," filed April 5, 2004 by Robert K. Rowe *et al.* ("the '698 application"). The '698 application is a nonprovisional of each of the following provisional applications: U.S. Prov. Pat. Appl. No. 60/460,247, entitled "NONINVASIVE ALCOHOL MONITOR," filed April 4, 2003; U.S. Prov. Pat. Appl. No. 10 60/483,281, entitled "HYPER SPECTRAL FINGERPRINT READER," filed June 27, 2003 by Robert K. Rowe *et al.*; U.S. Prov. Pat. Appl. No. 60/504,594, entitled "HYPER SPECTRAL FINGERPRINTING," filed September 18, 2003; and U.S. Prov. Pat. Appl. No. 60/552,662, entitled "OPTICAL SKIN SENSOR FOR BIOMETRICS," filed March 10, 2004. The entire disclosure of each of the foregoing applications is incorporated 15 herein by reference for all purposes.

[0002] This application is also a continuation-in-part of copending U.S. Pat. Appl. No. 11/219,006, entitled "COMPARATIVE TEXTURE ANALYSIS OF TISSUE FOR BIOMETRIC SPOOF DETECTION," filed September 1, 2005 by Robert K. Rowe ("the '006 application"). The '006 application is a continuation-in-part of U.S. Pat. Appl. No. 20 10/818,698, entitled "MULTISPECTRAL BIOMETRIC SENSOR," filed April 5, 2004 by Robert K. Row. *et al.*, which is a nonprovisional of each of U.S. Prov. Pat. Appl. No. 60/460,247, filed April 4, 2003, U.S. Prov. Pat. Appl. No. 60/483,281, filed June 27, 2003, U.S. Prov. Pat. Appl. No. 60/504,594, filed September 18, 2003, and U.S. Prov. Pat. Appl. No. 60/552,662, filed March 10, 2004. The entire disclosure of each of the foregoing 25 applications is incorporated herein by reference for all purposes.

[0003] The '006 application is also a continuation-in-part of U.S. Pat. Appl. No. 11/115,100, entitled "MULTISPECTRAL IMAGING BIOMETRICS," filed April 25, 2005 by Robert K. Rowe, which is a nonprovisional of each of U.S. Prov. Pat. Appl. No. 60/576,364, filed June 1, 2004, U.S. Prov. Pat. Appl. No. 60/600,867, filed August 11, 2004, 30 U.S. Prov. Pat. Appl. No. 60/610,802, filed September 17, 2004, U.S. Prov. Pat. Appl. No. 60/654,354, filed February 18, 2005, and U.S. Prov. Pat. Appl. No. 60/659,024, filed

March 4, 2005. The entire disclosure of each of the foregoing applications is incorporated herein by reference for all purposes.

[0004] The '006 application is also a continuation-in-part of U.S. Pat. Appl. No. 11/115,101, entitled "MULTISPECTRAL BIOMETRIC IMAGING," filed April 25, 2005 by
5 Robert K. Rowe and Stephen P. Corcoran, which is a nonprovisional of each of U.S. Prov. Pat. Appl. No. 60/576,364, filed June 1, 2004, U.S. Prov. Pat. Appl. No. 60/600,867, filed August 11, 2004, U.S. Prov. Pat. Appl. No. 60/610,802, filed September 17, 2004, U.S. Prov. Pat. Appl. No. 60/654,354, filed February 18, 2005, and U.S. Prov. Pat. Appl. No. 60/659,024, filed March 4, 2005. The entire disclosure of each of the foregoing references is
10 incorporated herein by reference for all purposes.

[0005] The '006 application is also a continuation-in-part of U.S. Pat. Appl. No. 11/115,075, entitled "MULTISPECTRAL LIVENESS DETERMINATION," FILED April 25, 2005 by Robert K. Rowe, which is a nonprovisional of each of U.S. Prov. Pat. Appl. No. 60/576,364, filed June 1, 2004, U.S. Prov. Pat. Appl. No. 60/600,867, filed August 11, 2004,
15 U.S. Prov. Pat. Appl. No. 60/610,802, filed September 17, 2004, U.S. Prov. Pat. Appl. No. 60/654,354, filed February 18, 2005, and U.S. Prov. Pat. Appl. No. 60/659,024, filed March 4, 2005. The entire disclosure of each of the foregoing references is incorporated herein by reference for all purposes.

[0006] This application is also related to U.S. Pat. Appl. No. 09/874,740, entitled
20 "APPARATUS AND METHOD OF BIOMETRIC DETERMINATION USING SPECIALIZED OPTICAL SPECTROSCOPY SYSTEM," filed June 5, 2001.

BACKGROUND OF THE INVENTION

25 [0007] This application relates generally to biometrics. More specifically, this application relates to methods and systems for performing biometric measurements that use spectral information.

[0008] "Biometrics" refers generally to the statistical analysis of characteristics of
30 living bodies. One category of biometrics includes "biometric identification," which commonly operates under one of two modes to provide automatic identification of people or

to verify purported identities of people. Biometric sensing technologies measure the physical features or behavioral characteristics of a person and compare those features to similar prerecorded measurements to determine whether there is a match. Physical features that are commonly used for biometric identification include faces, irises, hand geometry, vein structure, and fingerprint patterns, which is the most prevalent of all biometric-identification features. Current methods for analyzing collected fingerprints include optical, capacitive, radio-frequency, thermal, ultrasonic, and several other less common techniques.

[0009] Most of the fingerprint-collection methods rely on measuring characteristics of the skin at or very near the surface of a finger. In particular, optical fingerprint readers typically rely on the presence or absence of a difference in the index of refraction between the sensor platen and the finger placed on it. When an air-filled valley of the fingerprint is above a particular location of the platen, total internal reflectance (“TIR”) occurs in the platen because of the air-platen index difference. Alternatively, if skin of the proper index of refraction is in optical contact with the platen, then the TIR at this location is “frustrated,” allowing light to traverse the platen-skin interface. A map of the differences in TIR across the region where the finger is touching the platen forms the basis for a conventional optical fingerprint reading. There are a number of optical arrangements used to detect this variation of the optical interface in both bright-field and dark-field optical arrangements. Commonly, a single, quasimonochromatic beam of light is used to perform this TIR-based measurement.

[0010] There also exists non-TIR optical fingerprint sensors. In most cases, these sensors rely on some arrangement of quasimonochromatic light to illuminate the front, sides, or back of a fingertip, causing the light to diffuse through the skin. The fingerprint image is formed due to the differences in light transmission across the skin-platen boundary for the ridge and valleys. The difference in optical transmission are due to changes in the Fresnel reflection characteristics due to the presence or absence of any intermediate air gap in the valleys, as known to one of familiarity in the art.

[0011] Optical fingerprint readers are particularly susceptible to image quality problems due to non-ideal conditions. If the skin is overly dry, the index match with the platen will be compromised, resulting in poor image contrast. Similarly, if the finger is very wet, the valleys may fill with water, causing an optical coupling to occur all across the fingerprint region and greatly reducing image contrast. Similar effects may occur if the pressure of the finger on the platen is too little or too great, the skin or sensor is dirty, the skin

is aged and/or worn, or overly fine features are present such as may be the case for certain ethnic groups and in very young children. These effects decrease image quality and thereby decrease the overall performance of the fingerprint sensor. In some cases, commercial optical fingerprint readers incorporate a thin membrane of soft material such as silicone to help mitigate these effects and restore performance. As a soft material, the membrane is subject to damage, wear, and contamination, limiting the use of the sensor without maintenance.

[0012] Optical fingerprint readers, such as those based on TIR, as well as other modalities such as capacitance, RF, and others, typically produce images that are affected to some degree by the nonideal imaging conditions present during acquisition. An analysis of the textural characteristics of the resulting images is thus affected by the sampling conditions, which may limit or obscure the ability to observe the textural characteristics of the person's skin. The consequence of this is that texture is of limited utility in such sensing modalities.

[0013] Biometric sensors, particularly fingerprint biometric sensors, are generally prone to being defeated by various forms of spoof samples. In the case of fingerprint readers, a variety of methods are known in the art for presenting readers with a fingerprint pattern of an authorized user that is embedded in some kind of inanimate material such as paper, gelatin, epoxy, latex, and the like. Thus, even if a fingerprint reader can be considered to reliably determine the presence or absence of a matching fingerprint pattern, it is also critical to the overall system security to ensure that the matching pattern is being acquired from a genuine, living finger, which may be difficult to ascertain with many common sensors.

[0014] Another way in which some biometric systems may be defeated is through the use of a replay attack. In this scenario, an intruder records the signals coming from the sensor when an authorized user is using the system. At a later time, the intruder manipulates the sensor system such that the prerecorded authorized signals may be injected into the system, thereby bypassing the sensor itself and gaining access to the system secured by the biometric.

[0015] A common approach to making biometric sensors more robust, more secure, and less error-prone is to combine sources of biometric signals using an approach sometimes referred to in the art as using "dual," "combinatoric," "layered," "fused," "multibiometric," or "multifactor biometric" sensing. To provide enhanced security in this way, biometric technologies are combined in such a way that different technologies measure portions of the

body at the same time and are resistant to being defeated by using different samples or techniques to defeat the different sensors that are combined. When technologies are combined in a way that they view the same part of the body they are referred to as being “tightly coupled.”

5 [0016] The accuracy of noninvasive optical measurements of physiological analytes such as glucose, alcohol, hemoglobin, urea, and cholesterol can be adversely affected by variation of the skin tissue. In some cases it is advantageous to measure one or more physiological analytes in conjunction with a biometric measurement. Such dual measurement has potential interest and application to both commercial and law-enforcement markets.

10 [0017] There is accordingly a general need in the art for improved methods and systems for biometric sensing and analyte estimation using multispectral imaging systems and methods.

BRIEF SUMMARY OF THE INVENTION

15

[0018] Embodiments of the invention provide methods and systems for performing biometric functions. Image-texture measures are used to enable texture biometrics in which biometric functions are performed through an analysis of texture characteristics of skin sites.

[0019] Thus, in a first set of embodiments, a method is provided of performing a
20 biometric function. A purported skin site of an individual is illuminated with illumination light. The purported skin site is in contact with a surface. Light scattered from the purported skin site is received substantially in a plane that includes the surface. An image is formed from the received light. An image-texture measure is generated from the image. The generated image-texture measure is analyzed to perform the biometric function.

25 [0020] In certain embodiments, the biometric function comprises an antispoofing function; in such embodiments the image-texture measure is analyzed to determine whether the purported skin site comprises living tissue. In other embodiments, the biometric function comprises an identity function; in such embodiments, the image-texture measure is analyzed to determine an identity of the individual. In still other embodiments, the biometric function
30 comprises a demographic or anthropometric function; in such embodiments, the image-texture measure is analyzed to estimate a demographic or anthropometric characteristic of the individual.

[0021] The surface may be the surface of an imaging detector, with light scattered from the purported skin site being received at the imaging detector. Alternatively, a pattern of light may be translated from the plane to an imaging detector disposed outside the plane without substantial degradation or attenuation of the pattern, with the translated pattern being received at the imaging detector. In different embodiments, the light scattered from the purported skin site may be received at a monochromatic imaging detector or at a color imaging detector.

[0022] In some embodiments, the illumination light is white light. The image may then comprise a plurality of images corresponding to different wavelengths. The image-texture measure may accordingly be generated by performing a spatial moving-window analysis of each of the plurality of images. For instance, moving-window Fourier transforms may be calculated on the plurality of images. Alternatively, a moving-window centrality measure and a moving-window variability measure of the plurality of images may be calculated.

[0023] In analyzing the generated image-texture measure to perform the biometric function, the generated image-texture measure may be compared with a reference image-texture measure. In some cases, the reference image-texture measure was generated from a reference image formed from light scattered from a reference skin site with the purported skin site being substantially different from the reference skin site. In certain embodiments, spectral features of the received light are compared with reference spectral features in performing the biometric function.

[0024] In a second set of embodiments, a biometric sensor is provided. The sensor comprises a surface, an illumination subsystem, a detection subsystem, and a computational unit. The surface is adapted for contact with a purported skin site. The illumination subsystem is disposed to illuminate the purported skin site when the purported skin site is in contact with the surface. The detection subsystem is disposed to receive light scattered from the purported skin site, with the light being received substantially in a plane that includes the surface. The computational unit is interfaced with the detection subsystem and has instructions for forming an image from the received light. It also has instructions for generating an image-texture measure from the image and for analyzing the generated image-texture measure to perform the biometric function.

[0025] There are a number of different biometric functions that may be performed with such a sensor. In one embodiment, the biometric function comprises an antispoofing function, with the computational unit having instructions for determining whether the purported skin site comprises living tissue. In another embodiment, the biometric function
5 comprises an identity function, with the computational unit having instructions for determining an identify of the individual from the generated image-texture measure. In still another embodiment, the biometric function comprises a demographic or anthropometric function, with the computational unit having instructions for estimating a demographic or anthropometric characteristic of the individual from the generated image-texture measure.

10 [0026] In some instances, the biometric sensor further comprises an imaging detector. In one such embodiment, the surface is a surface of the imaging detector, with the detection subsystem comprising the imaging detector and being configured to receive light scattered from the purported skin site at the imaging detector. In another such embodiment, the imaging detector is disposed outside the plane. An optical arrangement is configured to
15 translate a pattern of light from the plane to the imaging detector without substantial degradation or attenuation of the pattern. The detection system comprises the imaging detector and is configured to receive the translated pattern at the imaging detector. The imaging detector may comprise a monochromatic imaging detector or a color imaging detector in different embodiments.

20 [0027] In some cases, the illumination subsystem is configured to illuminate the purported skin site with white light. The image may then comprise a plurality of images corresponding to different wavelengths, with the instructions for generating the image-texture measure comprise instructions for performing a spatial moving-window analysis of each of the plurality of images. For instance, there may be instructions for calculating moving-
25 window Fourier transforms on the plurality of images in one embodiment, while another embodiment has instructions for calculating a moving-window centrality measure and a moving-window variability measure of the plurality of images.

[0028] In one embodiment, the instructions for analyzing the generated image-texture measure to perform the biometric function comprise instructions for comparing the generated
30 image-texture measure with a reference image-texture measure. Such a reference image-texture measure may have been generated from a reference image formed from light scattered from a reference skin site, with the purported skin site being substantially different from the

reference skin site. In a certain embodiment, the computational unit further has instructions for comparing spectral features of the received light with reference spectral features in performing the biometric function.

[0029] Embodiments of the invention provide methods and systems for performing
5 biometric functions. White light is used to illuminate a purported skin site and a color imager is used to collect light scattered from the purported skin site for the generation of multispectral data. These multispectral data may be generated in the form of multiple images of the skin site collected with different illumination wavelengths, which correspond to different volumes of illuminated tissue. These data are then subjected to different types of
10 analyses depending on specific aspects of the biometric function to be performed.

[0030] In a third set of embodiments, a biometric sensor is provided. A white-light illumination subsystem is disposed to illuminate a purported skin site of an individual with white light. A detection subsystem is disposed to receive light scattered from the purported skin site and comprises a color imager on which the received light is incident. A
15 computational unit is interfaced with the detection subsystem. The computational unit has instructions for deriving a plurality of spatially distributed images of the purported skin site from the received light with the color imager. The plurality of spatially distributed images correspond to different volumes of illuminated tissue of the individual. The computational unit also has instructions for analyzing the plurality of spatially distributed images to perform
20 a biometric function.

[0031] In one of these embodiments, the biometric function comprises an antispoofing function and the instructions for analyzing the plurality of spatially distributed images comprise instructions for determining whether the purported skin site comprises living tissue. In another of these embodiments, the instructions for analyzing the plurality of
25 spatially distributed images to perform the biometric function comprise instructions for analyzing the plurality of spatially distributed images to estimate a demographic or anthropometric characteristic of the individual. In still another of these embodiments, the instructions for analyzing the plurality of spatially distributed images to perform the biometric function comprise instructions for analyzing the plurality of spatially distributed
30 images to determine a concentration of an analyte in blood of the individual.

[0032] In some embodiments, the biometric sensor may further comprise a platen in contact with the purported skin site, with the white-light illumination subsystem being

adapted to illuminate the purported skin site through the platen. In other embodiments, the white-light illumination subsystem may instead be adapted to illuminate the purported skin site when the skin site is not in physical contact with the biometric sensor.

[0033] The white light may be provided in different ways in different embodiments.

5 For example, in one embodiment, the white-light illumination subsystem comprises a broadband source of white light. In another embodiment, the white-light illumination subsystem comprises a plurality of narrow-band light sources and an optical arrangement to combine light provided by the plurality of narrow-band light sources. The plurality of narrow-band light sources may provide light at wavelengths that correspond to each of a set
10 of primary colors. In some cases, the purported skin site and an illumination region where the purported skin site is illuminated are in relative motion.

[0034] Some embodiments make use of polarization by including a first polarizing in the illumination system disposed to polarize the white light. The detection system then comprises a second polarizer disposed to encounter the received light. The first and second
15 polarizers may be crossed relative to each other. In other embodiments, the first and second polarizers may be parallel. In some embodiments, the first polarizer may be omitted while retaining the second. In some embodiments, two or more of these polarization options may be combined in a single device. The detection system may also sometimes include an infrared filter disposed to encounter the received light before the received light is incident on
20 the color imager.

[0035] In certain instances, the purported skin site is a volar surface of a finger or hand and the biometric function comprises a biometric identification. The instructions for analyzing the plurality of spatially distributed images comprise instructions for deriving a surface fingerprint or palmprint image of the purported skin site from the plurality of spatially
25 distributed images. The surface fingerprint or palmprint image is then compared with a database of fingerprint or palmprint images to identify the individual. In other embodiment where the biometric function comprises a biometric identification, the instructions for analyzing the plurality of spatially distributed images instead comprise instructions for comparing the plurality of spatially distributed images with a database of multispectral
30 images to identify the individual.

[0036] In a fourth set of embodiments, a method is provided of performing a biometric function. A purported skin site of an individual is illuminated with white light.

Light scattered from the purported skin site is received with a color imager on which the received light is incident. A plurality of spatially distributed images of the purported skin site are derived, with the plurality of spatially distributed images corresponding to different volumes of illuminated tissue of the individual. The plurality of spatially distributed images
5 are analyzed to perform the biometric function.

[0037] In some of these embodiments, the biometric function comprises an antispoofing function and analyzing the plurality of spatially distributed images comprises determining whether the purported skin site comprises living tissue. In other of these
10 embodiments, the plurality of spatially distributed images are analyzed to estimate a demographic or anthropometric characteristic of the individual. In still different ones of these embodiments, the plurality of spatially distributed images are analyzed to determine a concentration of an analyte in blood of the individual.

[0038] The purported skin site may sometimes be illuminated by directing the white light through a platen in contact with the purported skin site. In some instances, the
15 purported skin site may be illuminated with a broadband source of white light, while in other instances a plurality of narrow-band beams, perhaps corresponding to a set of primary colors, may be generated and combined. The purported skin site might sometimes be in relative motion with an illumination region where the purported skin site is illuminated.

[0039] In one embodiment the while light is polarized with a first polarization and the
20 received light scattered from the purported skin site is polarized with a second polarization. The first and second polarizations may be substantially crossed relative to each other or may be substantially parallel to each other. The received light may sometimes be filtered at infrared wavelengths before the received light is incident on the color imager.

[0040] In some instances, the biometric function comprises a biometric identification.
25 For instance, the purported skin site could be a volar surface of a finger or hand. Analysis of the plurality of spatially distributed images could then proceed by deriving a surface fingerprint or palmprint image of the purported skin site from the plurality of spatially distributed images and comparing the surface fingerprint or palmprint image with a database of fingerprint or palmprint images. In an alternative embodiment, the plurality of spatially
30 distributed images could be compared with a database of multispectral images to identify the individual.

BRIEF DESCRIPTION OF THE DRAWINGS

[0041] A further understanding of the nature and advantages of the present invention may be realized by reference to the remaining portions of the specification and the drawings wherein like reference labels are used throughout the several drawings to refer to similar components. In some instances, reference labels include a numerical portion followed by a latin-letter suffix; reference to only the numerical portion of reference labels is intended to refer collectively to all reference labels that have that numerical portion but different latin-letter suffices.

10

[0042] Fig. 1 provides a front view of a noncontact biometric sensor in one embodiment of the invention;

[0043] Fig. 2A provides an illustration of a structure for a Bayer color filter array, which may be used in embodiments of the invention;

15 [0044] Fig. 2B is a graph showing color response curves for a Bayer color filter array like that illustrated in Fig. 2A;

[0045] Fig. 3 provides a front view of a noncontact biometric sensor in another embodiment of the invention;

[0046] Fig. 4 provides a top view of a sensor configuration that collects data during relative motion between a skin site and an optically active region of the sensor;

20

[0047] Fig. 5 illustrates a multispectral datacube that may be used in certain embodiments of the invention;

[0048] Fig. 6 is a front view of a contact biometric sensor in one embodiment of the invention;

25 [0049] Fig. 7A provides a side view of a contact biometric sensor in an embodiment;

[0050] Fig. 7B provides a side view of a contact biometric sensor in another embodiment;

[0051] Fig. 8 provides a front view of a contact biometric sensor in a further embodiment of the invention;

[0052] Fig. 9A illustrates a structure for a contact texture biometric sensor in an embodiment of the invention;

[0053] Fig. 9B provides a side view of a contact texture biometric sensor in one configuration;

5 [0054] Fig. 9C provides a side view of a contact texture biometric sensor in another configuration;

[0055] Fig. 10 is schematic representation of a computer system that may be used to manage functionality of contact and noncontact biometric sensors in accordance with embodiments of the invention;

10 [0056] Fig. 11 is a flow diagram summarizing methods of using contact and noncontact biometric sensors and illustrates a number of different biometric functions that may be performed; and

[0057] Fig. 12 is a flow diagram summarizing methods of operation of contact texture biometric sensors in accordance with embodiments of the invention.

15

DETAILED DESCRIPTION OF THE INVENTION

1. Overview

20 [0058] Embodiments of the invention provide methods and systems that allow for the collection and processing of a variety of different types of biometric measurements, including integrated, multifactor biometric measurements in some embodiments. These measurements may provide strong assurance of a person's identity, as well as of the authenticity of the biometric sample being taken. In some embodiments, a sensor uses white light that
25 penetrates the surface of the person's skin, and scatters within the skin and/or the underlying tissue. As used herein, "white light" refers to light that has a spectral composition amenable to separation into constituent wavelength bands, which in some cases may comprise primary colors. The usual primary colors used to define white light are red, green, and blue, but other combinations may be used in other instances, as will be known to those of skill in the art. For
30 clarity, it is emphasized that "white light" as used herein might not appear white to a human observer and might have a distinct tint or color associated with it because of the exact

wavelength distribution and intensity of the constituent wavelength bands. In other cases, the white light may comprise one or more bands in the ultraviolet or infrared spectral regions. In some cases, the white light might not even be visible at all to a human observer when it consists of wavelength bands in the infrared and/or ultraviolet spectral regions. A portion of the light scattered by the skin and/or underlying tissue exits the skin and is used to form an image of the structure of the tissue at and below the surface of the skin. Because of the wavelength-dependent properties of the skin, the image formed from each wavelength of light comprised by the white light may be different from images formed at other wavelengths. Accordingly, embodiments of the invention collect images in such a way that characteristic spectral and spatial information may be extracted from the resulting image.

[0059] In some applications, it may be desirable to estimate other parameters and characteristics of a body, either independently or in combination with a biometric measurement. For example, in one specific such embodiment, an ability is provided to measure analyte levels of a person simultaneously with measurement of a fingerprint pattern. Applications to law enforcement may be found in embodiments where the measure analyte comprises a blood-alcohol level of the person; such embodiments also enable a variety of commercial applications that include restricting motor-vehicle access. In this way, the analyte measurement and the identity of the person on whom the measurement is made may be inextricably linked.

[0060] Skin composition and structure is very distinct, very complex, and varies from person to person. By performing optical measurements of the spatiospectral properties of skin and underlying tissue, a number of assessments may be made. For example, a biometric-identification function may be performed to identify or verify whose skin is being measured, a liveness function may be performed to assure that the sample being measured is live and viable skin and not another type of material, estimates may be made of a variety of physiological parameters such as age gender, ethnicity, and other demographic and anthropometric characteristics, and/or measurements may be made of the concentrations of various analytes and parameters including alcohol, glucose, degrees of blood perfusion and oxygenation, biliruben, cholesterol, urea, and the like.

[0061] The complex structure of skin may be used in different embodiments to tailor aspects of the methods and systems for particular functions. The outermost layer of skin, the epidermis, is supported by the underlying dermis and hypodermis. The epidermis itself may

have five identified sublayers that include the stratum corneum, the stratum lucidum, the stratum granulosum, the stratum spinosum, and the stratum germinativum. Thus, for example, the skin below the top-most stratum corneum has some characteristics that relate to the surface topography, as well as some characteristics that change with depth into the skin.

5 While the blood supply to skin exists in the dermal layer, the dermis has protrusions into the epidermis known as “dermal papillae,” which bring the blood supply close to the surface via capillaries. In the volar surfaces of the fingers, this capillary structure follows the pattern of the friction ridges and valleys on the surface. In some other locations on the body, the structure of the capillary bed may be less ordered, but is still characteristic of the particular
10 location and person. As well, the topography of the interface between the different layers of skin is quite complex and characteristic of the skin location and the person. While these sources of subsurface structure of skin and underlying tissue represent a significant noise source for non-imaging optical measurements of skin for biometric determinations or analyte measurements, the structural differences are manifested by spatio-spectral features that can be
15 compared favorably through embodiments of the invention.

[0062] In some instances, inks, dyes and/or other pigmentation may be present in portions of the skin as topical coating or subsurface tattoos. These forms of artificial pigmentation may or may not be visible to the naked human eye. However, if one or more wavelengths used by the apparatus of the present invention is sensitive to the pigment, the
20 sensor can be used in some embodiments to verify the presence, quantity and/or shape of the pigment in addition to other desired measurement tasks.

[0063] In general, embodiments of the present invention provide methods and systems that collect spatio-spectral information that may be represented in a multidimensional data structure that has independent spatial and spectral dimensions. In certain instances, the
25 desired information is contained in just a portion of the entire multidimensional data structure. For example, estimation of a uniformly distributed, spectrally active compound may require just the measured spectral characteristics, which may be extracted from the overall multidimensional data structure. In such cases, the overall system design may be simplified to reduce or eliminate the spatial component of the collected data by reducing the
30 number of image pixels, even to a limit of a single pixel. Thus, while the systems and methods disclosed are generally described in the context of spatio-spectral imaging, it will be recognized that the invention encompasses similar measurements in which the degree of imaging is greatly reduced, even to the point where there is a single detector element.

2. Noncontact Biometric Sensors

[0064] One embodiment of the invention is depicted with the schematic diagram of Fig. 1, which shows a front view of a noncontact biometric sensor 101. The sensor 101 comprises an illumination subsystem 121 having one or more light sources 103 and a detection subsystem 123 with an imager 115. The figure depicts an embodiment in which the illumination subsystem 121 comprises a plurality of illumination subsystems 121a and 121b, but the invention is not limited by the number of illumination or detection subsystems 121 or 123. For example, the number of illumination subsystems 121 may conveniently be selected to achieve certain levels of illumination, to meet packaging requirements, and to meet other structural constraints of the sensor 101. Illumination light passes from the source 103 through illumination optics 105 that shape the illumination to a desired form, such as in the form of flood light, light lines, light points, and the like. The illumination optics 105 are shown for convenience as consisting of a lens but may more generally include any combination of one or more lenses, one or more mirrors, and/or other optical elements. The illumination optics 105 may also comprise a scanner mechanism (not shown) to scan the illumination light in a specified one-dimensional or two-dimensional pattern. The light source 103 may comprise a point source, a line source, an area source, or may comprise a series of such sources in different embodiments. In one embodiment, the illumination light is provided as polarized light, such as by disposing a linear polarizer 107 through which the light passes before striking a finger 119 or other skin site of the person being studied. Embodiments like those shown in Fig. 1 are referred to herein as “noncontact” sensors because the imaged skin site may be positioned to interact with the light without being in contact with any solid surface. In “contact” biometric sensors described in detail below, the imaged skin site is in contact with some solid surface such as a platen or light detector.

[0065] In some instances, the light source 103 comprises a white-light source, which may be provided as a broad-band source or as a collection of narrow-band emitters in different embodiments. Examples of broad-band sources include white-light emitting diodes (“LEDs”), incandescent bulbs or glowbars, and the like. Collections of narrow-band emitters may comprise quasimonochromatic light sources having primary-color wavelengths, such as

in an embodiment that includes a red LED or laser diode, a green LED or laser diode, and a blue LED or laser diode.

[0066] An alternative mechanism for reducing the directly reflected light makes use of optical polarizers. Both linear and circular polarizers can be employed advantageously to make the optical measurement more sensitive to certain skin depths, as known to on familiar in the art. In the embodiment illustrated in Fig. 1, the illumination light is polarized by linear polarizer 107. The detection subsystem 123 may then also include a linear polarizer 111 that is arranged with its optical axis substantially orthogonal to the illumination polarizer 107. In this way, light from the sample must undergo multiple scattering events to significantly change its state of polarization. Such events occur when the light penetrates the surface of the skin and is scattered back to the detection subsystem 123 after many scatter events.

[0067] Conversely, the use of two polarizers 107 and 111 may also be used to increase the influence of directly reflected light by arranging the polarizer 111 to be substantially parallel to polarizer 107. In some systems, it may be advantageous to combine two or more polarization configurations in a single device to enable the collection of multispectral data collected under two different polarization conditions (i.e. under crossed-polarization and under parallel-polarization conditions). In other embodiments, either polarizer 107 or 111, or both, may be omitted, allowing for the collection of substantially randomly polarized light.

[0068] The detection subsystem 123 may incorporate detection optics that comprise lenses, mirrors, phase plates and wavefront coding devices, and/or other optical elements that form an image onto the detector 115. The detection optics 113 may also comprise a scanning mechanism (not shown) to relay portions of the overall image onto the detector 115 in sequence. In all cases, the detection subsystem 123 is configured to be sensitive to light that has penetrated the surface of the skin and undergone optical scattering within the skin and/or underlying tissue before exiting the skin.

[0069] In embodiments where white light is used, the detector 115 may comprise a Bayer color filter array in which filter elements corresponding to a set of primary colors are arranged in a Bayer pattern. An example of such a pattern is shown in Fig. 2A for an arrangement that uses red 204, green 212, and blue 208 color filter elements. In some instances, the detector subsystem 123 may additionally comprise an infrared filter 114 disposed to reduce the amount of infrared light detected. As seen from the color response

curve for a typical Bayer filter array shown in Fig. 2B, there is generally some overlap in the spectral ranges of the red 224, green 232, and blue 228 transmission characteristics of the filter elements. As evident particularly in the curves for the green 232 and blue 228 transmission characteristics, the filter array may allow the transmission of infrared light. This is avoided with the inclusion of an infrared filter 114 as part of the detector subsystem. In other embodiments, the infrared filter 114 may be omitted and one or more light sources 103 that emit infrared light may be incorporated. In this way, all color filter elements 204, 208, and 212 may allow the light to substantially pass through, resulting in an infrared image across the entire detector 115.

10 [0070] Another embodiment of a noncontact biometric sensor is shown schematically with the front view of Fig. 3. In this embodiment, the biometric sensor 301 comprises an illumination subsystem 323 and a detection subsystem 325. Similar to the embodiment described in connection with Fig. 1, there may be multiple illumination subsystems 323 in some embodiments, with Fig. 3 showing a specific embodiment having two illumination
15 subsystems 323. A white-light source 303 comprised by the illumination subsystem 323 may be any source of white light, including the broad-band or combination of narrow-band sources described above. Light from the white-light source 303 passes through illumination optics 305 and a linear polarizer 307 before passing into the skin site 119. A portion of the light is diffusely reflected from the skin site 119 into the detection subsystem 325, which
20 comprises imaging optics 315 and 319, a linear polarizer 311, and a dispersive optical element 313. The dispersive element 313 may comprise a one- or two-dimensional grating, which may be transmissive or reflective, a prism, or any other optical component known in the art to cause a deviation of the path of light as a function of the light's wavelength. In the illustrated embodiment, the first imaging optics 319 acts to collimate light reflected from the
25 skin site 119 for transmission through the linear polarizer 311 and dispersive element 313. Spectral components of the light are angularly separated by the dispersive element 313 and are separately focused by the second imaging optics 315 onto a detector. As discussed in connection with Fig. 1, when the optical axis of the polarizers 307 and 311 are oriented to be substantially orthogonal to each other, polarizers 307 and 311 respectively comprised by the
30 illumination and detection subsystems 323 and 325 act to reduce the detection of directly reflected light at the detector 317. The polarizers 307, 311 may also be oriented such that their optical axes are substantially parallel, which will increase the detection of directly

reflected light at the detector 317. In some embodiments, either polarizer 307 or 311, or both, may be omitted.

[0071] The image generated from light received at the detector is thus a “coded” image in the manner of a computer tomographic imaging spectrometer (“CTIS”). Both spectral and spatial information are simultaneously present in the resulting image. The individual spectral patterns may be obtained by mathematical inversion or “reconstruction” of the coded image.

[0072] The description of the contactless sensor of Fig. 1 noted that a scanner mechanism may be provided to scan the illumination light. This is an example of a more general class of embodiments in which there is relative motion of the illumination region and skin site. In such embodiments, the image may be constructed by building up separate image portions collected during the relative motion. Such relative motion may also be achieved in embodiments that configure the sensor in a swipe configuration, in which the user is instructed to translate the skin site. One example of a swipe sensor is shown in top view with the schematic illustration of Fig. 4. In this figure, the illumination region and detection region 405 of a sensor 401 are substantially collinear. In some embodiments of a swipe sensor 401, there may be more than a single illumination region. For example, there may be a plurality of illumination regions arranged on either side of the detection region 405. In some embodiments, the illumination region 403 may partially or fully overlay the detection region. The image data are collected with the sensor by translating a finger or other body part through the optically active region, as indicated by the arrow in Fig. 4. A swipe sensor may be implemented with any of the contactless sensor configurations described above, although in some implementations it may be used with a contact configuration, examples of which are described in detail below. The light that is received sequentially from discrete portions of the skin site is used to build up the image that is subsequently used for biometric applications.

[0073] The embodiments described above produce a body of spatio-spectral data, which may be used in biometrics applications as described below. The invention is not limited to any particular manner of storing or analyzing the body of spatio-spectral data. For purposes of illustration, it is shown in the form of a datacube in Fig. 5. The datacube 501 is shown decomposed along a spectral dimension with a plurality of planes 503, 505, 507, 509, 511, each of which corresponds to a different portion of the light spectrum and each of which include spatial information. In some instances, the body of spatio-spectral data may include

additional types of information beyond spatial and spectral information. For instance, different illumination conditions as defined by different illumination structures, different polarizations, and the like may provide additional dimensions of information. More broadly, data collected under a plurality of optical conditions, whether they be collected

5 simultaneously or sequentially, is referred to herein as “multispectral” data. A more complete description of aspects of multispectral data is described in copending, commonly assigned U.S. Pat. Appl. No. 11/379,945, entitled “MULTISPECTRAL BIOMETRIC SENSORS,” filed April 24, 2006, the entire disclosure of which is incorporated herein by reference for all purposes. Spatio-spectral data may thus be considered to be a subset of

10 certain types of multispectral data where the different optical conditions include different illumination wavelengths.

[0074] In an embodiment where illumination takes place under white light, the images 503, 505, 507, 509, and 511 might correspond, for example to images generated using light at 450 nm, 500 nm, 550 nm, 600 nm, and 650 nm . In another example, there may be

15 three images that correspond to the amount of light in the red, green, and blue spectral bands at each pixel location. Each image represents the optical effects of light of a particular wavelength interacting with skin. Due to the optical properties of skin and skin components that vary by wavelength, each of the multispectral images 503, 505, 507, 509, and 511 will be, in general, different from the others. The datacube may thus be expressed as $R(X_S, Y_S, X_I, Y_I, \lambda)$ and describes the amount of diffusely reflected light of wavelength λ seen at each

20 image point X_I, Y_I when illuminated at a source point X_S, Y_S . Different illumination configurations (flood, line, etc.) can be summarized by summing the point response over appropriate source point locations. A conventional non-TIR fingerprint image $F(X_I, Y_I)$ can loosely be described as the multispectral data cube for a given wavelength, λ_0 , and summed

25 over all source positions:

$$F(X_I, Y_I) = \sum_{Y_S} \sum_{X_S} R(X_S, Y_S, X_I, Y_I, \lambda_0).$$

Conversely, the spectral biometric dataset $S(\lambda)$ relates the measured light intensity for a given wavelength λ to the difference \vec{D} between the illumination and detection locations:

$$S(\vec{D}, \lambda) = R(X_I - X_S, Y_I - Y_S, \lambda).$$

30 The datacube R is thus related to both conventional fingerprint images and to spectral biometric datasets. The datacube R is a superset of either of the other two data sets and

contains correlations and other information that may be lost in either of the two separate modalities.

[0075] The light that passes into the skin and/or underlying tissue is generally affected by different optical properties of the skin and/or underlying tissue at different wavelengths. Two optical effects in the skin and/or underlying tissue that are affected differently at different wavelengths are scatter and absorbance. Optical scatter in skin tissue is generally a smooth and relatively slowly varying function wavelength. Conversely, absorbance in skin is generally a strong function of wavelength due to particular absorbance features of certain components present in the skin. For example blood, melanin, water, carotene, bilirubin, ethanol, and glucose all have significant absorbance properties in the spectral region from 400 nm to 2.5 μm , which may sometimes be encompassed by the white-light sources.

[0076] The combined effect of optical absorbance and scatter causes different illumination wavelengths to penetrate the skin to different depths. This effectively causes the different spectral images to have different and complementary information corresponding to different volumes of illuminated tissue. In particular, the capillary layers close to the surface of the skin have distinct spatial characteristics that can be imaged at wavelengths where blood is strongly absorbing. Because of the complex wavelength-dependent properties of skin and underlying tissue, the set of spectral values corresponding to a given image location has spectral characteristics that are well-defined and distinct. These spectral characteristics may be used to classify the collected image on a pixel-by-pixel basis. This assessment may be performed by generating typical tissue spectral qualities from a set of qualified images. For example, the spatio-spectral data shown in Fig. 5 may be reordered as an $N \times 5$ matrix, where N is the number of image pixels that contain data from living tissue, rather than from a surrounding region of air. An eigenanalysis or other factor analysis performed on this set matrix produces the representative spectral features of these tissue pixels. The spectra of pixels in a later data set may then be compared to such previously established spectral features using metrics such as Mahalanobis distance and spectral residuals. If more than a small number of image pixels have spectral qualities that are inconsistent with living tissue, then the sample is deemed to be non-genuine and rejected, thus providing a mechanism for incorporating antispoofing methods in the sensor based on determinations of the liveness of the sample.

[0077] Alternatively, textural characteristics of the skin may alone or in conjunction with the spectral characteristics be used to determine the authenticity of the sample. For example, each spectral image may be analyzed in such a way that the magnitude of various spatial characteristics may be described. Methods for doing so include wavelet transforms, Fourier transforms, cosine transforms, gray-level co-occurrence, and the like. The resulting coefficients from any such transform described an aspect of the texture of the image from which they were derived. The set of such coefficients derived from a set of spectral images thus results in a description of the chromatic textural characteristics of the multispectral data. These characteristics may then be compared to similar characteristics of known samples to perform a biometric determination such as spoof or liveness determination. Methods for performing such determinations are generally similar to the methods described for the spectral characteristics above. Applicable classification techniques for such determinations include linear and quadratic discriminant analysis, classification trees, neural networks, and other methods known to those familiar in the art.

[0078] Similarly, in an embodiment where the sample is a volar surface of a hand or finger, the image pixels may be classified as “ridge,” “valley,” or “other” based on their spectral qualities or their chromatic textural qualities. This classification can be performed using discriminant analysis methods such as linear discriminant analysis, quadratic discriminant analysis, principal component analysis, neural networks, and others known to those of skill in the art. Since ridge and valley pixels are contiguous on a typical volar surface, in some instances, data from the local neighborhood around the image pixel of interest are used to classify the image pixel. In this way, a conventional fingerprint image may be extracted for further processing and biometric assessment. The “other” category may indicate image pixels that have spectral qualities that are different than anticipated in a genuine sample. A threshold on the total number of pixels in an image classified as “other” may be set. If this threshold is exceeded, the sample may be determined to be non-genuine and appropriate indications made and actions taken.

[0079] In a similar way, multispectral data collected from regions such as the volar surface of fingers may be analyzed to directly estimate the locations of “minutiae points,” which are defined as the locations at which ridges end, bifurcate, or undergo other such topographic change. For example, the chromatic textural qualities of the multispectral dataset may be determined in the manner described above. These qualities may then be used to classify each image location as “ridge ending,” “ridge bifurcation,” or “other” in the manner

described previously. In this way, minutiae feature extraction may be accomplished directly from the multispectral data without having to perform computationally laborious calculations such as image normalization, image binarization, image thinning, and minutiae filtering, techniques that are known to those familiar in the art.

5 [0080] Biometric determinations of identity may be made using the entire body of spatio-spectral data or using particular portions thereof. For example, appropriate spatial filters may be applied to separate out the lower spatial frequency information that is typically representative of deeper spectrally active structures in the tissue. The fingerprint data may be extracted using similar spatial frequency separation and/or the pixel-classification methods
10 disclosed above. The spectral information can be separated from the active portion of the image in the manner discussed above. These three portions of the body of spatio-spectral data may then be processed and compared to the corresponding enrollment data using methods known to one familiar in the art to determine the degree of match. Based upon the strength of match of these characteristics, a decision can be made regarding the match of the
15 sample with the enrolled data. Additional details regarding certain types of spatio-spectral analyses that may be performed are provided in U.S. Pat. Appl. No. 10/818,698, entitled "MULTISPECTRAL BIOMETRIC SENSOR," filed April 5, 2004 by Robert K. Rowe *et al.*, the entire disclosure of which is incorporated herein by reference for all purposes.

[0081] As previously noted, certain substances that may be present in the skin and
20 underlying tissue have distinct absorbance characteristics. For example, ethanol has characteristic absorbance peaks at approximately 2.26 μm , 2.30 μm , and 2.35 μm , and spectral troughs at 2.23 μm , 2.28 μm , 2.32 μm , and 2.38 μm . In some embodiments, noninvasive optical measurements are performed at wavelengths in the range of 2.1 – 2.5 μm , more particularly in the range of 2.2 – 2.4 μm . In an embodiment that includes at least one
25 of the peak wavelengths and one of the trough wavelengths, the resulting spectral data are analyzed using multivariate techniques such as partial least squares, principal-component regression, and others known to those of skill in the art, to provide an estimate of the concentration of alcohol in the tissue, as well as to provide a biometric signature of the person being tested. While a correlation to blood-alcohol level may be made with values
30 determined for a subset of these wavelengths, it is preferable to test at least the three spectral peak values, with more accurate results being obtained when the seven spectral peak and trough values are measured.

[0082] In other embodiments, noninvasive optical measurements are performed at wavelengths in the range of 1.5 – 1.9 μm , more particularly in the range of 1.6 – 1.8 μm . In specific embodiments, optical measurements are performed at one or more wavelengths of approximately 1.67 μm , 1.69 μm , 1.71 μm , 1.73 μm , 1.74 μm , 1.76 μm and 1.78 μm . The presence of alcohol is characterized at these wavelengths by spectral peaks at 1.69 μm , 1.73 μm , and 1.76 μm and by spectral troughs at 1.67 μm , 1.71 μm , 1.74 μm , and 1.78 μm . Similar to the 2.1 – 2.5 μm wavelength range, the concentration of alcohol is characterized by relative strengths of one or more of the spectral peak and trough values. Also, while a correlation to blood-alcohol level may be made with values determined for a subset of these wavelengths in the 1.5 – 1.9 μm range, it is preferable to test at least the three spectral peak values, with more accurate results being obtained when the seven spectral peak and trough values are measured.

[0083] A small spectral alcohol-monitoring device may be embedded in a variety of systems and applications in certain embodiments. The spectral alcohol-monitoring device can be configured as a dedicated system such as may be provided to law-enforcement personnel, or may be integrated as part of an electronic device such as an electronic fob, wristwatch, cellular telephone, PDA, or any other electronic device, for an individual's personal use. Such devices may include mechanisms for indicating to an individual whether his blood-alcohol level is within defined limits. For instance, the device may include red and green LEDs, with electronics in the device illuminating the green LED if the individual's blood-alcohol level is within defined limits and illuminating the red LED if it is not. In one embodiment, the alcohol-monitoring device may be included in a motor vehicle, typically positioned so that an individual may conveniently place tissue, such as a fingertip, on the device. While in some instances, the device may function only as an informational guide indicating acceptability to drive, in other instances ignition of the motor vehicle may affirmatively depend on there being a determination that the individual has a blood-alcohol level less than a prescribed level.

3. Contact Biometric Sensors

[0084] Biometric sensors may be constructed in a fashion similar to that shown in Figs. 1 and 3, but configured so that the skin site is placed in contact with a platen. Such designs have certain additional characteristics that result from the interaction of light with the

platen, sometimes permitting additional information to be incorporated as part of the collect spatio-spectral data.

[0085] One embodiment is shown in Fig. 6, which provides a front view of a contact biometric sensor 601. Like the sensor illustrated in Fig. 1, the contact sensor 601 has one or more illumination subsystems 621 and a detection subsystem 623. Each of the illumination subsystems 621 comprises one or more white-light sources 603 and illumination optics that shape the light provided by the sources 603 into a desired form. As with the non-contact arrangements, the illumination optics may generally include any combination of optical elements and may sometimes include a scanner mechanism. In some instances, the illumination light is provided as polarized light by disposing a polarizer 607 through which the illumination light passes. Examples of white-light sources 603, including broad- and narrow-band sources were described above, and the sources 603 may be configured to provide sources having different shapes in different embodiments.

[0086] The illumination light is directed by the illumination optics 621 to pass through a platen 617 and illuminate the skin site 119. The sensor layout 601 and components may advantageously be selected to minimize the direct reflection of the illumination optics 621. In one embodiment, such direct reflections are reduced by relatively orienting the illumination subsystem 621 and detection subsystem 623 such that the amount of directly reflected light detected is minimized. For instance, optical axes of the illumination subsystem 621 and the detection subsystem 623 may be placed at angles such that a mirror placed on the platen 617 does not direct an appreciable amount of illumination light into the detection subsystem 623. In addition, the optical axes of the illumination and detection subsystems 621 and 623 may be placed at angles relative to the platen 617 such that the angular acceptance of both subsystems is less than the critical angle of the system 601; such a configuration avoids appreciable effects due to total internal reflectance between the platen 617 and the skin site 119.

[0087] The presence of the platen 617 does not adversely interfere with the ability to reduce the directly reflected light by use of polarizers. The detection subsystem 623 may include a polarizer 611 having an optical axis substantially orthogonal or parallel to the polarizer 607 comprised by the illumination subsystem 621. Surface reflections at the interface between the platen 617 and the skin site 119 are reduced in the case where polarizers 611 and 607 are oriented substantially orthogonal to each other since light from the

sample must undergo sufficiently many scattering events to change its state of polarization before it can be sensed by the detector 615. The detection subsystem 623 may additionally incorporate detection optics that form an image of the region near the platen surface 617 onto the detector 615. In one embodiment, the detection optics 613 comprise a scanning
5 mechanism (not shown) to relay portions of the platen region onto the detector 615 in sequence. An infrared filter 614 may be included to reduce the amount of infrared light detected, particularly in embodiments where the detector 615 is sensitive to infrared light, such as when a Bayer filter array is used. Conversely, as described above, the infrared filter 614 may be omitted in some embodiments and an additional light source 603 with emissions
10 in the infrared may be included in some embodiments.

[0088] As in the other arrangements described above, the detection subsystem 623 is generally configured to be sensitive to light that has penetrated the surface of the skin and undergone optical scattering within the skin and/or underlying tissue. The polarizers may sometimes be used to create or accentuate the surface features. For instance, if the
15 illumination light is polarized in a direction parallel (“P”) with the platen 617, and the detection subsystem 623 incorporates a polarizer 611 in a perpendicular orientation (“S”), then the reflected light is blocked by as much as the extinction ratio of the polarizer pair. However, light that crosses into the skin site at a ridge point is optically scattered, which effectively randomizes the polarization (though the skin does have some characteristic
20 polarization qualities of its own, as is known to those of skill in the art). This allows a portion, on the order of 50%, of the absorbed and re-emitted light to be observed by the S-polarized imaging system.

[0089] A side view of one of the embodiments of the invention is shown with the schematic drawing provided in Fig. 7A. For clarity, this view does not show the detection
25 subsystem, but does show an illumination subsystem 621 explicitly. The illumination subsystem 621 in this embodiment has a plurality of white-light sources 703 that are distributed spatially. As shown in the drawing, the illumination optics 621 are configured to provide flood illumination, but in alternative embodiments could be arranged to provide line, point, or other patterned illumination by incorporation of cylindrical optics, focusing optics,
30 or other optical components as known to those knowledgeable in the art.

[0090] The array of white-light sources 703 in Fig. 7A need not actually be planar as shown in the drawing. For example, in other embodiments, optical fibers, fiber bundles, or

fiber optical faceplates or tapers could convey the light from the light sources at some convenient locations to an illumination plane, where light is reimaged onto the skin site 119. The light sources could be controlled turning the drive currents on and off as LEDs might be. Alternatively, if an incandescent source is used, switching of the light may be accomplished
5 using some form of spatial light modulator such as a liquid crystal modulator or using microelectromechanical-systems (“MEMS”) technology to control apertures, mirrors, or other such optical elements. Such configurations may allow the structure of the sensor to be simplified. One embodiment is illustrated in Fig. 7B, which shows the use of optical fibers and electronic scanning of illumination sources such as LEDs. Individual fibers 716a connect
10 each of the LEDs located at an illumination array 710 to an imaging surface, and other fibers 716b relay the reflected light back to the imaging device 712, which may comprise a photodiode array, CMOS array, or CCD array. The set of fibers 716a and 716b thus defines an optical fiber bundle 714 used in relaying light.

[0091] Another embodiment of a contact biometric sensor is shown schematically
15 with the front view of Fig. 8. In this embodiment, the biometric sensor 801 comprises one or more white-light illumination subsystems 823 and a detection subsystem 825. The illumination subsystems 823 comprise a white-light source 803 that provides light that passes through illumination optics 805 and a polarizer 807 to be directed to a platen 817 over which a skin site is disposed 119. A portion of the light is diffusely reflected from the skin site 119
20 into the detection subsystem 825, which comprises imaging optics 815 and 819, a crossed polarizer 811, and a dispersive optical element 813. The first imaging optics 819 collimate light reflected from the skin site 119 for transmission through the crossed polarizer 811 and dispersive element 813. Separated spectral components are separately focused onto the detector 817 by the second imaging optics 815.

[0092] Contact biometric sensors like those illustrated in Figs. 6 – 8 are also
25 amenable to configurations in which the illumination region is in relative motion with the skin site. As previously noted, such relative motion may be implemented with a mechanism for scanning the illumination light and/or by moving the skin site. The presence of a platen in contact-sensor embodiments generally facilitates motion of the skin site by confining a
30 surface of the skin site to a defined plane; in embodiments where freedom of motion is permitted in three dimensions, additional difficulties may result from movement of the skin site outside the imaging depth. A swipe sensor may accordingly be implemented with contact biometric sensors in a fashion as generally described in connection with Fig. 4 above,

but with a platen that prevents motion of the skin site in one direction. While in some embodiments, the swipe sensor may be a stationary system, a contact configuration allows a roller system to be implemented in which the skin site is rolled over a roller structure that is transparent to the white light. An encoder may record position information and aid in stitching a full two-dimensional image from a resulting series of image slices, as understood by those of skill in the art. Light received from discrete portions of the skin site is used to build up the image.

[0093] While the above descriptions of noncontact and contact biometric sensors have focused on embodiments in which white light is used, other embodiments may make use of other spectral combinations of light in similar structural arrangements. In addition, other embodiments may include additional variations in optical conditions to provide multispectral conditions. Some description of such multispectral applications is provided in commonly assigned U.S. Pat. Appl. No. 10/818,698, entitled "MULTISPECTRAL BIOMETRIC SENSOR," filed April 5, 2004 by Robert K. Rowe *et al.*; U.S. Pat. 11/177,817, entitled "LIVENESS SENSOR," filed July 8, 2005 by Robert K. Rowe; U.S. Prov. Pat. No. 60/576,364, entitled "MULTISPECTRAL FINGER RECOGNITION," filed June 1, 2004 by Robert K. Rowe and Stephen P. Corcoran; U.S. Prov. Pat. Appl. No. 60/600,867, entitled "MULTISPECTRAL IMAGING BIOMETRIC," filed August 11, 2004 by Robert K. Rowe; U.S. Pat. No. 11/115,100, entitled "MULTISPECTRAL IMAGING BIOMETRICS," filed April 25, 2005 by Robert K. Rowe; U.S. Pat. Appl. No. 11/115,101, entitled "MULTISPECTRAL BIOMETRIC IMAGING," filed April 25, 2005; U.S. Pat. No. 11/115,075, entitled "MULTISPECTRAL LIVENESS DETERMINATION," filed April 25, 2005; U.S. Prov. Pat. Appl. No. 60/659,024, entitled "MULTISPECTRAL IMAGING OF THE FINGER FOR BIOMETRICS," filed March 4, 2005 by Robert K. Rowe *et al.*; U.S. Prov. Pat. Appl. No. 60/675,776, entitled "MULTISPECTRAL BIOMETRIC SENSORS," filed April 27, 2005 by Robert K. Rowe; and U.S. Pat. Appl. No. 11/379,945, entitled "MULTISPECTRAL BIOMETRIC SENSORS," filed April 24, 2006 by Robert K. Rowe. The entire disclosure of each of the foregoing applications is incorporated herein by reference for all purposes.

[0094] The noncontact and contact biometric sensors described above use white-light imaging in certain embodiments. The use of white light permits images to be collected simultaneously at multiple colors, with the overall speed of data collection being faster than in embodiments where discrete states are collected separately. This reduced data-collection

time leads to a reduction in motion artifacts as the skin site moves during data collection. The overall sensor size may also be reduced and provided at lower cost by using a smaller number of light sources when compared with the use of discrete illumination sources for different colors. Corresponding reductions are also possible in the electronics used to support
5 coordinated operation of the light sources. In addition, color imagers are currently available at prices that are typically lower than monochrome imagers.

[0095] The use of white-light imaging also permits a reduction in data volume when the sensor is designed to use all pixels in achieving the desired resolution. For instance, a typical design criterion may provide a 1-inch field with a 500 dots-per-inch resolution. This
10 can be achieved with a monochrome camera having 500 × 500 pixels. It can also be achieved with a 1000 × 1000 color camera when extracting each color plane separately. The same resolution can be achieved by using a 500 × 500 color imager and converting to {R, G, B} triplets and then extracting the monochrome portion of the image. This is a specific example
15 of a more general procedure in which a color imager is used by converting to primary-color triplets, followed by extraction of a monochrome portion of an image. Such a procedure generally permits a desired resolution to be achieved more efficiently than with other extraction techniques.

4. Texture Biometric Sensor

[0096] Another form of contact biometric sensor provided in embodiments of the invention is a texture biometric sensor. "Image texture" refers generally to any of a large number of metrics that describe some aspect of a spatial distribution of tonal characteristics of an image, some of which were described above. For example, some textures, such as those
25 commonly found in fingerprint patterns or wood grain, are flowlike and may be well described by metrics such as an orientation and coherence. For textures that have a spatial regularity (at least locally), certain characteristics of the Fourier transform and the associated power spectrum are important such as energy compactness, dominant frequencies and orientations, etc. Certain statistical moments such as mean, variance, skew, and kurtosis may
30 be used to describe texture. Moment invariants may be used, which are combinations of various moments that are invariant to changes in scale, rotation, and other perturbations. Gray-tone spatial dependence matrices may be generated and analyzed to describe image

texture. The entropy over an image region may be calculated as a measure of image texture. Various types of wavelet transforms may be used to describe aspects of the image texture. Steerable pyramids, Gabor filters, and other mechanisms of using spatially bounded basis functions may be used to describe the image texture. These and other such measures of
5 texture known to one familiar in the art may be used individually or in combination in embodiments of the invention.

[0097] Image texture may thus be manifested by variations in pixel intensities across an image, which may be used in embodiments of the invention to perform biometric functions. In some embodiments, additional information may be extracted when such
10 textural analysis is performed for different spectral images extracted from a multispectral data set, producing a chromatic textural description of the skin site. These embodiments advantageously enable biometric functions to be performed by capturing a portion of an image of a skin site. The texture characteristics of the skin site are expected to be approximately consistent over the skin site, permitting biometric functions to be performed
15 with measurements made at different portions of the image site. In many instances, it is not even required that the portions of the skin site used in different measurements overlap with each other.

[0098] This ability to use different portions of the skin site provides considerable flexibility in the structural designs that may be used. This is, in part, a consequence of the
20 fact that biometric matching may be performed statistically instead of requiring a match to a deterministic spatial pattern. The sensor may be configured in a compact manner because it need not acquire an image over a specified spatial area. The ability to provide a small sensor also permits the sensor to be made more economically than sensors that need to collect complete spatial information to perform a biometric function. In different embodiments,
25 biometric functions may be performed with purely spectral information, while in other embodiments, spatio-spectral information is used.

[0099] One example of a structure for a texture biometric sensor is shown schematically in Fig. 9A. The sensor 900 comprises a plurality of light sources 904 and an imager 908. In some embodiments, the light sources 904 comprise white-light sources,
30 although in other embodiments, the light sources comprise quasimonochromatic sources. Similarly, the imager 908 may comprise a monochromatic or color imager, one example of which is an imager having a Bayer pattern. The sensor 900 is referred to herein as a

“contact” sensor because the image is collected substantially in the plane of the skin site 119 being measured. It is possible, however, to have different configurations for operating the sensor, some with the imager 908 substantially in contact with the skin site 119 and some with the imager 908 displaced from the plane of the skin site 119.

5 [0100] This is shown for two illustrative embodiments in Figs. 9B and 9C. In the embodiment of Fig. 9B, the imager 908 is substantially in contact with the skin site 119. Light from the sources 904 propagates beneath the tissue of the skin site 119, permitting light scattered from the skin site 119 and in the underlying tissue to be detected by the imager 908. An alternative embodiment in which the imager 908 is displaced from the skin site 119 is shown schematically in Fig. 9C. In this drawing the sensor 900' includes an optical arrangement 912 that translates an image at the plane of the skin site 119 to the imager could comprise a plurality of optical fibers, which translate individual pixels of an image by total internal reflection along the fiber without substantially loss of intensity. In this way, the light pattern detected by the imager 908 is substantially the same as the light pattern formed at the plane of the skin site 119. The sensor 900' may thus operate in substantially the same fashion as the sensor 900 shown in Fig. 9B. That is, light from the sources 904 is propagated to the skin site, where it is reflected and scattered by underlying tissue after penetrating the skin site 119. Because information is merely translated substantially without loss, the image formed by the imager 908 in such an embodiment is substantially identical to the image that would be formed with an arrangement like that in Fig. 9A.

[0101] In embodiments where purely spectral information is used to perform a biometric function, spectral characteristics in the received data are identified and compared with an enrollment database of spectra. The resultant tissue spectrum of a particular individual includes unique spectral features and combinations of spectral features that can be used to identify individuals once a device has been trained to extract the relevant spectral features. Extraction of relevant spectral features may be performed with a number of different techniques, including discriminant analysis techniques. While not readily apparent in visual analysis of a spectral output, such analytical techniques can repeatably extract unique features that can be discriminated to perform a biometric function. Examples of specific techniques are disclosed in commonly assigned U.S. Pat. No. 6,560,352, entitled “APPARATUS AND METHOD OF BIOMETRIC IDENTIFICATION AND VERIFICATION OF INDIVIDUALS USING OPTICAL SPECTROSCOPY”; U.S. Pat. No. 6,816,605, entitled “METHODS AND SYSTEMS FOR BIOMETRIC IDENTIFICATION

OF INDIVIDUALS USING LINEAR OPTICAL SPECTROSCOPY”; U.S. Pat. No. 6,628,809, entitled “APPARATUS AND METHOD FOR IDENTIFICATION OF INDIVIDUALS BY NEAR-INFRARED SPECTROSCOPY”; U.S. Pat. Appl. No. 10/660,884, entitled “APPARATUS AND METHOD FOR IDENTIFICATION OF INDIVIDUAL BY NEAR-INFRARED SPECTROSCOPY,” filed September 12, 2003 by Robert K. Rowe *et al.*; and U.S. Pat. Appl. No. 09/874,740, entitled “APPARATUS AND METHOD OF BIOMETRIC DETERMINATION USING SPECIALIZED OPTICAL SPECTROSCOPY SYSTEM,” filed June 5, 2001 by Robert K. Rowe *et al.* The entire disclosure of each of the foregoing patents and patent applications is incorporated herein by reference in its entirety.

[0102] The ability to perform biometric functions with image-texture information, including biometric identifications, may exploit the fact that a significant portion of the signal from a living body is due to capillary blood. For example, when the skin site 119 comprises a finger, a known physiological characteristic is that the capillaries in the finger follow the pattern of the external fingerprint ridge structure. Therefore, the contrast of the fingerprint features relative to the illumination wavelength is related to the spectral features of blood. In particular, the contrast of images taken with wavelengths longer than about 580 nm are significantly reduced relative to those images taken with wavelengths less than about 580 nm. Fingerprint patterns generated with nonblood pigments and other optical effects such as Fresnel reflectance have a different spectral contrast.

[0103] Light scattered from a skin site 119 may be subjected to variety of different types of comparative texture analyses in different embodiments. Some embodiments make use of a form of moving-window analysis of image data derived from the collected light to generate a figure of merit, and thereby evaluate the measure of texture or figure of merit. In some embodiments, the moving window operation may be replaced with a block-by-block or tiled analysis. In some embodiments, a single region of the image or the whole image may be analyzed at one time.

[0104] In one embodiment, fast-Fourier transforms are performed on one or more regions of the image data. An in-band contrast figure of merit C is generated in such embodiments as the ratio of the average or DC power to in-band power. Specifically, for an index i that corresponds to one of a plurality of wavelengths comprised by the white light, the contrast figure of merit is

$$C_i \equiv \frac{\sum_{\xi} \sum_{\eta} |F_i(\xi, \eta)|^2 \Big|_{R_{low}^2 < (\xi^2 + \eta^2) < R_{high}^2}}{|F_i(0, 0)|^2}.$$

In this expression, $F_i(\xi, \eta)$ is the Fourier transform of the image $f_i(x, y)$ at the wavelength corresponding to index i , where x and y are spatial coordinates for the image. The range defined by R_{low} and R_{high} represents a limit on spatial frequencies of interest for fingerprint features. For example, R_{low} may be approximately 1.5 fringes/mm in one embodiment and R_{high} may be 3.0 fringes/mm. In an alternative formulation, the contrast figure of merit may be defined as the ratio of the integrated power in two different spatial frequency bands. The equation shown above is a specific case where one of the bands comprises only the DC spatial frequency.

10 [0105] In another embodiment, moving-window means and moving-window standard deviations are calculated for the collected body of data and used to generate the figure of merit. In this embodiment, for each wavelength corresponding to index i , the moving-window mean μ_i and the moving-window standard deviation σ_i are calculated from the collected image $f_i(x, y)$. The moving windows for each calculation may be the same size and
 15 may conveniently be chosen to span on the order of 2 – 3 fingerprint ridges. Preferably, the window size is sufficiently large to remove the fingerprint features but sufficiently small to have background variations persist. The figure of merit C_i in this embodiment is calculated as the ratio of the moving-window standard deviation to the moving-window mean:

$$C_i = \frac{\sigma_i}{\mu_i}.$$

20 [0106] In still another embodiment, a similar process is performed but a moving-window range (*i.e.*, $\max(\text{image values}) - \min(\text{image values})$) is used instead of a moving-window standard deviation. Thus, similar to the previous embodiment, a moving-window mean μ_i and a moving-window range δ_i are calculated from the collected image $f_i(x, y)$ for each wavelength corresponding to index i . The window size for calculation of the moving-
 25 window mean is again preferably large enough to remove the fingerprint features but small enough to maintain background variations. In some instances, the window size for calculation of the moving-window mean is the same as for calculation of the moving-window range, a suitable value in one embodiment spanning on the order of 2 – 3 fingerprint ridges. The figure of merit in this embodiment is calculated as the ratio of the moving-window mean:

$$C_i = \frac{\delta_i}{\mu_i}.$$

[0107] This embodiment and the preceding one may be considered to be specific cases of a more general embodiment in which moving-window calculations are performed on the collected data to calculate a moving-window centrality measure and a moving-window variability measure. The specific embodiments illustrate cases in which the centrality measure comprises an unweighted mean, but may more generally comprise any other type of statistical centrality measure such as a weighted mean or median in certain embodiments. Similarly, the specific embodiments illustrate cases in which the variability measure comprises a standard deviation or a range, but may more generally comprise any other type of statistical variability measure such as a median absolute deviation or standard error of the mean in certain embodiments.

[0108] In another embodiment that does not use explicit moving-window analysis, a wavelet analysis may be performed on each of the spectral images. In some embodiments, the wavelet analysis may be performed in a way that the resulting coefficients are approximately spatially invariant. This may be accomplished by performing an undecimated wavelet decomposition, applying a dual-tree complex wavelet method, or other methods of the sort. Gabor filters, steerable pyramids and other decompositions of the sort may also be applied to produce similar coefficients. Whatever method of decomposition is chosen, the result is a collection of coefficients that are proportional to the magnitude of the variation corresponding to a particular basis function at a particular position on the image. To perform spoof detection, the wavelet coefficients, or some derived summary thereof, may be compared to the coefficients expected for genuine samples. If the comparison shows that the results are sufficiently close, the sample is deemed authentic. Otherwise, the sample is determined to be a spoof. In a similar manner, the coefficients may also be used for biometric verification by comparing the currently measured set of coefficients to a previously recorded set from the reputedly same person.

5. Exemplary Applications

[0109] In various embodiments, a biometric sensor, whether it be a noncontact, contact, or texture sensor of any of the types described above, may be operated by a

computational system to implement biometric functionality. Fig. 10 broadly illustrates how individual system elements may be implemented in a separated or more integrated manner. The computational device 1000 is shown comprised of hardware elements that are electrically coupled via bus 1026, which is also coupled with the biometric sensor 1056. The hardware elements include a processor 1002, an input device 1004, an output device 1006, a storage device 1008, a computer-readable storage media reader 1010a, a communications system 1014, a processing acceleration unit 1016 such as a DSP or special-purpose processor, and a memory 1018. The computer-readable storage media reader 1010a is further connected to a computer-readable storage medium 1010b, the combination comprehensively representing remote, local, fixed, and/or removable storage devices plus storage media for temporarily and/or more permanently containing computer-readable information. The communications system 1014 may comprise a wired, wireless, modem, and/or other type of interfacing connection and permits data to be exchanged with external devices.

[0110] The computational device 1000 also comprises software elements, shown as being currently located within working memory 1020, including an operating system 1024 and other code 1022, such as a program designed to implement methods of the invention. It will be apparent to those skilled in the art that substantial variations may be used in accordance with specific requirements. For example, customized hardware might also be used and/or particular elements might be implemented in hardware, software (including portable software, such as applets), or both. Further, connection to other computing devices such as network input/output devices may be employed

[0111] An overview of functionality that may be implemented with the computational device are summarized with the flow diagram of Fig. 11. In some embodiments, a purported skin site is illuminated as indicated at block 1104 with white light. This permits the biometric sensor to receive light from the purported skin site at block 1108. As described above, the received light may be analyzed in a number of different ways in implementing a biometric function. The flow diagram shows how certain combinations of analyses may be used in implementing the biometric function, although it is not necessary that all steps be performed. In other instances, a subset of the steps may be performed, additional steps might be performed, and/or the indicated steps might be performed in a different order than indicated.

[0112] At block 1112, a liveness check may be performed with the received light to confirm that the purported skin site is not some type of spoof, usually by verifying that it has the characteristics of living tissue. If a spoof is detected, an alert may be issued at block 1164. The specific type of alert that is issued may depend on the environment in which the biometric sensor is deployed, with audible or visual alerts sometimes being issued near the sensor itself; in other instances, silent alerts may be transmitted to security or law-enforcement personnel.

[0113] The light received scattered from the purported skin site may be used at block 1120 to derive a surface image of the purported skin site. In instances where the purported skin site is a volar surface of a finger, such a surface image will include a representation of the pattern of ridges and valleys on the finger, permitting it to be compared with a database of conventional fingerprints at block 1124. In addition or alternatively, the received light may be used to derive a spatio-spectral image at block 1128. This image may be compared with a spatio-spectral database having images that are associated with individuals at block 1132. In either instance, the comparison may permit the individual to be identified at block 1136 as a result of the comparison. It is generally expected that higher-reliability identifications may be made by using the full spatio-spectral information to provide a comparison with spatio-spectral images. But in some applications, there may be greater availability of conventional fingerprint data, with some individuals having their fingerprints stored in large law-enforcement fingerprint databases but not in spatio-spectral databases. In such cases, embodiments of the invention advantageously permit the extraction of a conventional fingerprint image to perform the identification.

[0114] The spatio-spectral data includes still additional information that may provide greater confidence in the identification, whether the identification is made by comparison with a conventional fingerprint database or through comparison with spatio-spectral information. For example, as indicated at block 1140, demographic and/or anthropometric characteristics may be estimated from the received light. When the database entry matched to the image at block 1136 includes demographic or anthropometric information, a consistency check may be performed at block 1144. For instance, an individual presenting himself may be identified as a white male having an age of 20 – 35 years from the estimated demographic and anthropometric characteristics. If the database entry against which the image is matched identifies the individual as a 68-year-old black woman, there is a clear inconsistency that would trigger the issuance of an alarm at block 1164.

[0115] Other information may also be determined from the received light, such as an analyte concentration at block 1156. Different actions may sometimes be taken in accordance with the determined analyte level. For example, ignition of an automobile might be prohibited if a blood-alcohol level exceeds some threshold, or an alarm might be issued if
5 a blood-glucose level of a medical patient exceeds some threshold. Other physiological parameters, such as skin dryness conditions and the like, may be estimated in other applications, with still other actions sometimes being taken in response.

[0116] Fig. 12 provides a similar flow diagram to illustrate applications of a texture biometric sensor. The sensor is used by positioning a skin site of an individual in contact
10 with the detector at block 1204. As previously noted, the detector may be relatively small so that only a portion of a finger surface is positioned in contact with the detector; because of the nature of texture biometrics, variations in the specific portion of the surface placed in contact during different measurements are not detrimental. Data are collected by illuminating the skin site at block 1208 and receiving light scattered from the skin site with the detector at
15 block 1212.

[0117] The flow diagram indicates that different types of analyses may be performed. It is not necessary that each of these analyses be performed in every case and, indeed, it is generally expected that in most applications only a single type of analysis will be used. One category of analysis, indicated generally at block 1216, uses purely spectral comparisons of
20 information. Another category of analysis, indicated generally at blocks 1220 and 1228 uses image texture information by determining the image texture from spatio-spectral information in the received light at block 1220 and comparing that image texture with a database of texture biometric information at block 1228. With either or both types of analysis, a biometric function is performed, such as identification of the individual at block 1232.

[0118] Thus, having described several embodiments, it will be recognized by those of skill in the art that various modifications, alternative constructions, and equivalents may be used without departing from the spirit of the invention. Accordingly, the above description should not be taken as limiting the scope of the invention, which is defined in the following
30 claims.

WHAT IS CLAIMED IS:

- 1 1. A method of performing a biometric function, the method comprising:
2 illuminating a purported skin site of an individual with illumination light,
3 wherein the purported skin site is in contact with a surface;
4 receiving light scattered from the purported skin site, wherein the light is
5 received substantially in a plane that includes the surface;
6 forming an image from the received light;
7 generating an image-texture measure from the image; and
8 analyzing the generated image-texture measure to perform the biometric
9 function.
- 1 2. The method recited in claim 1 wherein the biometric function
2 comprises an antispoofing function and analyzing the generated image-texture measure
3 comprises determining whether the purported skin site comprises living tissue from the
4 generated image-texture measure.
- 1 3. The method recited in claim 1 wherein the biometric function
2 comprises an identity function and analyzing the generated image-texture measure comprises
3 determining an identity of the individual from the generated image-texture measure.
- 1 4. The method recited in claim 1 wherein the biometric function
2 comprises a demographic or anthropometric function and analyzing the generated image-
3 texture measure comprises estimating a demographic or anthropometric characteristic of the
4 individual from the generated image-texture measure.
- 1 5. The method recited in claim 1 wherein:
2 the surface is a surface of an imaging detector; and
3 receiving light scattered from the purported skin site comprises receiving light
4 scattered from the purported skin site at the imaging detector.
- 1 6. The method recited in claim 1 wherein receiving light scattered from
2 the purported skin site comprises:
3 translating a pattern of light from the plane to an imaging detector disposed
4 outside the plane without substantial degradation or attenuation of the pattern; and
5 receiving the translated pattern at the imaging detector.

1 7. The method recited in claim 1 wherein the illumination light is white
2 light.

1 8. The method recited in claim 7 wherein:
2 the image comprises a plurality of images corresponding to different
3 wavelengths; and
4 generating the image-texture measure comprises performing a spatial moving-
5 window analysis of each of the plurality of images.

1 9. The method recited in claim 8 wherein performing the spatial moving-
2 window analysis comprises calculating moving-window Fourier transforms on the plurality
3 of images.

1 10. The method recited in claim 8 wherein performing the spatial moving-
2 window analysis comprises calculating a moving-window centrality measure and a moving-
3 window variability measure of the plurality of images.

1 11. The method recited in claim 1 wherein receiving light scattered from
2 the purported skin site comprises receiving light scattered from the purported skin site at a
3 monochromatic imaging detector.

1 12. The method recited in claim 1 wherein receiving light scattered from
2 the purported skin site comprises receiving light scattered from the purported skin site at a
3 color imaging detector.

1 13. The method recited in claim 1 wherein:
2 analyzing the generated image-texture measure to perform the biometric
3 function comprises comparing the generated image-texture measure with a reference image-
4 texture measure;
5 the reference image-texture measure was generated from a reference image
6 formed from light scattered from a reference skin site; and
7 the purported skin site is substantially different from the reference skin site.

1 14. The method recited in claim 1 further comprising:
2 comparing spectral features of the received light with reference spectral
3 features in performing the biometric function.

1 15. A biometric sensor comprising:
2 a surface adapted for contact with a purported skin site of an individual;
3 an illumination subsystem disposed to illuminate the purported skin site when
4 the purported skin site is in contact with the surface;
5 a detection subsystem disposed to receive light scattered from the purported
6 skin site, wherein the light is received substantially in a plane that includes the surface; and
7 a computational unit interfaced with the detection subsystem and having:
8 instructions for forming an image from the received light;
9 instructions for generating an image-texture measure from the image;
10 and
11 instructions for analyzing the generated image-texture measure to
12 perform the biometric function.

1 16. The biometric sensor recited in claim 15 wherein:
2 the biometric function comprises an antispoofting function; and
3 the instructions for analyzing the generated image-texture measure comprise
4 instructions for determining whether the purported skin site comprises living tissue from the
5 generated image-texture measure.

1 17. The biometric sensor recited in claim 15 wherein:
2 the biometric function comprises an identity function; and
3 the instructions for analyzing the generated image-texture measure comprise
4 instructions for determining an identity of the individual from the generated image-texture
5 measure.

1 18. The biometric sensor recited in claim 15 wherein:
2 the biometric function comprises a demographic or anthropometric function;
3 and
4 the instructions for analyzing the generated image-texture measure comprise
5 instructions for estimating a demographic or anthropometric characteristic of the individual
6 from the generated image-texture measure.

1 19. The biometric sensor recited in claim 15 further comprising an imaging
2 detector, wherein:
3 the surface is a surface of the imaging detector; and

4 the detection subsystem comprises the imaging detector and is configured to
5 receive light scattered from the purported skin site at the imaging detector.

1 20. The biometric sensor recited in claim 15 further comprising:
2 an imaging detector disposed outside the plane; and
3 an optical arrangement configured to translate a pattern of light from the plane
4 to the imaging detector without substantial degradation or attenuation of the pattern,
5 wherein the detection subsystem comprises the imaging detector and is
6 configured to receive the translated pattern at the imaging detector.

1 21. The biometric sensor recited in claim 15 wherein the illumination
2 subsystem is configured to illuminate the purported skin site with white light.

1 22. The biometric sensor recited in claim 21 wherein:
2 the image comprises a plurality of images corresponding to different
3 wavelengths; and
4 the instructions for generating the image-texture measure comprise
5 instructions for performing a spatial moving-window analysis of each of the plurality of
6 images.

1 23. The biometric sensor recited in claim 22 wherein the instructions for
2 performing the spatial moving-window analysis comprise instructions for calculating
3 moving-window Fourier transforms on the plurality of images.

1 24. The biometric sensor recited in claim 22 wherein the instructions for
2 performing the spatial moving-window analysis comprise instructions for calculating a
3 moving-window centrality measure and a moving-window variability measure of the plurality
4 of images.

1 25. The biometric sensor recited in claim 15 wherein the detection
2 subsystem comprises a monochromatic imaging detector and is configured to the light
3 scattered from the purported skin site at the monochromatic imaging detector.

1 26. The biometric sensor recited in claim 15 wherein the detection
2 subsystem comprises a color imaging detector and is configured to the light scattered from
3 the purported skin site at the color imaging detector.

1 27. The biometric sensor recited in claim 15 wherein
2 the instructions for analyzing the generated image-texture measure to perform
3 the biometric function comprise instructions for comparing the generated image-texture
4 measure with a reference image-texture measure;
5 the reference image-texture measure was generated from a reference image
6 formed from light scattered from a reference skin site; and
7 the purported skin site is substantially different from the reference skin site.

28. The biometric sensor recited in claim 15 wherein the computational unit further has instructions for comparing spectral features of the received light with reference spectral features in performing the biometric function.

1 29. A biometric sensor comprising:
2 a white-light illumination subsystem disposed to illuminate a purported skin
3 site of an individual with white light;
4 a detection subsystem disposed to receive light scattered from the purported
5 skin site and comprising a color imager on which the received light is incident; and
6 a computational unit interfaced with the detection subsystem and having:
7 instructions for deriving a plurality of spatially distributed images of
8 the purported skin site from the received light with the color imager, the plurality of spatially
9 distributed images corresponding to different volumes of illuminated tissue of the individual;
10 and
11 instructions for analyzing the plurality of spatially distributed images
12 to perform a biometric function.

1 30. The biometric sensor recited in claim 29 wherein the biometric
2 function comprises an antispoofing function and the instructions for analyzing the plurality of
3 spatially distributed images comprise instructions for determining whether the purported skin
4 site comprises living tissue.

1 31. The biometric sensor recited in claim 29 wherein the instructions for
2 analyzing the plurality of spatially distributed images to perform the biometric function
3 comprise instructions for analyzing the plurality of spatially distributed images to estimate a
4 demographic or anthropometric characteristic of the individual.

1 32. The biometric sensor recited in claim 29 wherein the instructions for
2 analyzing the plurality of spatially distributed images to perform the biometric function
3 comprise instructions for analyzing the plurality of spatially distributed images to determine a
4 concentration of an analyte in blood of the individual.

1 33. The biometric sensor recited in claim 29 further comprising a platen in
2 contact with the purported skin site, wherein the white-light illumination subsystem is
3 adapted to illuminate the purported skin site through the platen.

1 34. The biometric sensor recited in claim 29 wherein the white-light
2 illumination subsystem is adapted to illuminate the purported skin site when the purported
3 skin site is not in physical contact with the biometric sensor.

1 35. The biometric sensor recited in claim 29 wherein the white-light
2 illumination subsystem comprises a broadband source of white light.

1 36. The biometric sensor recited in claim 29 wherein the white-light
2 illumination subsystem comprises a plurality of narrow-band light sources and an optical
3 arrangement to combine light provided by the plurality narrow-band light sources.

1 37. The biometric sensor recited in claim 36 wherein the plurality of
2 narrow-band light sources provide light at wavelengths corresponding to each of a set of
3 primary colors.

1 38. The biometric sensor recited in claim 29 wherein:
2 the illumination subsystem comprises a first polarizer disposed to polarize the
3 white light;
4 the detection system comprises a second polarizer disposed to encounter the
5 received light; and
6 the first and second polarizers are crossed relative to each other.

1 39. The biometric sensor recited in claim 29 wherein the detection system
2 comprises an infrared filter disposed to encounter the received light before the received light
3 is incident on the color imager.

1 40 . The biometric sensor recited in claim 29 wherein:

2 the purported skin site is a volar surface of a finger or hand;
3 the biometric function comprises a biometric identification; and
4 the instructions for analyzing the plurality of spatially distributed images
5 comprise:

6 instructions for deriving a surface fingerprint or palmprint image of the
7 purported skin site from the plurality of spatially distributed images; and
8 instructions for comparing the surface fingerprint or palmprint image
9 with a database of fingerprint or palmprint images to identify the individual.

1 41. The biometric sensor recited in claim 29 wherein:
2 the biometric function comprises a biometric identification; and
3 the instructions for analyzing the plurality of spatially distributed images
4 comprise instructions for comparing the plurality of spatially distributed images with a
5 database of multispectral images to identify the individual.

1 42. The biometric sensor recited in claim 29 wherein:
2 the illumination subsystem is adapted to illuminate the purported skin site in
3 an illumination region; and
4 the purported skin site and illumination region are in relative motion.

1 43. A method of performing a biometric function, the method comprising:
2 illuminating a purported skin site of an individual with white light;
3 receiving light scattered from the purported skin site with a color imager on
4 which the received light is incident;
5 deriving a plurality of spatially distributed images of the purported skin site
6 from the received light with the color imager, the plurality of spatially distributed images
7 corresponding to different volumes of illuminated tissue of the individual; and
8 analyzing the plurality of spatially distributed images to perform the biometric
9 function.

1 44. The method recited in claim 43 wherein the biometric function
2 comprises an antispoofing function and analyzing the plurality of spatially distributed images
3 comprises determining whether the purported skin site comprises living tissue.

1 45. The method recited in claim 43 wherein analyzing the plurality of
2 spatially distributed images comprises analyzing the plurality of spatially distributed images
3 to estimate a demographic or anthropometric characteristic of the individual.

1 46. The method recited in claim 43 wherein analyzing the plurality of
2 spatially distributed images to perform the biometric function comprises analyzing the
3 plurality of spatially distributed images to determine a concentration of an analyte in blood of
4 the individual.

1 47. The method recited in claim 43 wherein illuminating the purported
2 skin site comprises directing the white light through a platen in contact with the purported
3 skin site.

1 48. The method recited in claim 43 wherein illuminating the purported
2 skin site of the individual with white light comprises illuminating the purported skin site of
3 the individual with a broadband source of white light.

1 49. The method recited in claim 43 wherein illuminating the purported
2 skin site of the individual with white light comprises:
3 generating a plurality of narrow-band beams of light with a plurality of
4 narrow-band light sources; and
5 combining the plurality of narrow-band beams of light.

1 50. The method recited in claim 49 wherein the plurality of narrow-band
2 beams of light have wavelengths corresponding a set of primary colors.

1 51. The method recited in claim 43 wherein:
2 illuminating the purported skin site comprises polarizing the white light with a
3 first polarization; and
4 receiving light scattered from the purported skin site comprises polarizing the
5 receiving light with a second polarization,
6 wherein the first and second polarizations are substantially crossed relative to
7 each other.

1 52. The method recited in claim 43 wherein receiving light scattered from
2 the purported skin site comprises filtering the received light at infrared wavelengths before
3 the received light is incident on the color imager.

1 53. The method recited in claim 43 wherein:
2 the purported skin site is a volar surface of a finger or hand;
3 the biometric function comprises a biometric identification; and
4 analyzing the plurality of spatially distributed images comprises:
5 deriving a surface fingerprint or palmprint image of the purported skin
6 site from the plurality of spatially distributed images; and
7 comparing the surface fingerprint or palmprint image with a data base
8 of fingerprint or palmprint images to identify the individual.

1 54. The method recited in claim 43 wherein:
2 the biometric function comprises a biometric identification; and
3 analyzing the plurality of spatially distributed images comprises comparing
4 the plurality of spatially distributed images with a database of multispectral images to
5 identify the individual.

1 55. The method recited in claim 43 wherein:
2 illuminating the purported skin site of an individual with white light is
3 performed in an illumination region; and
4 the purported skin site and illumination region are in relative motion.

5

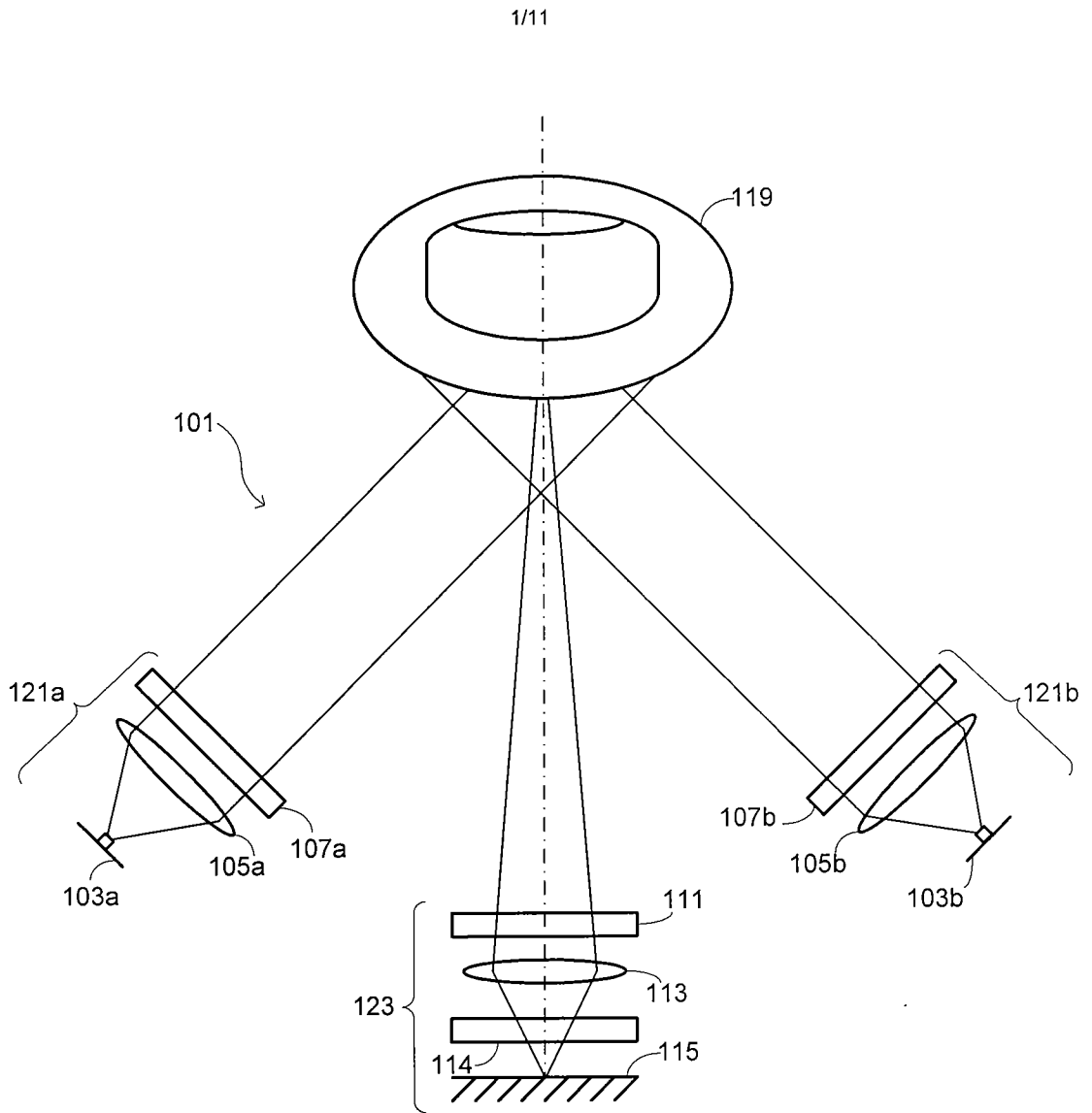


Fig. 1

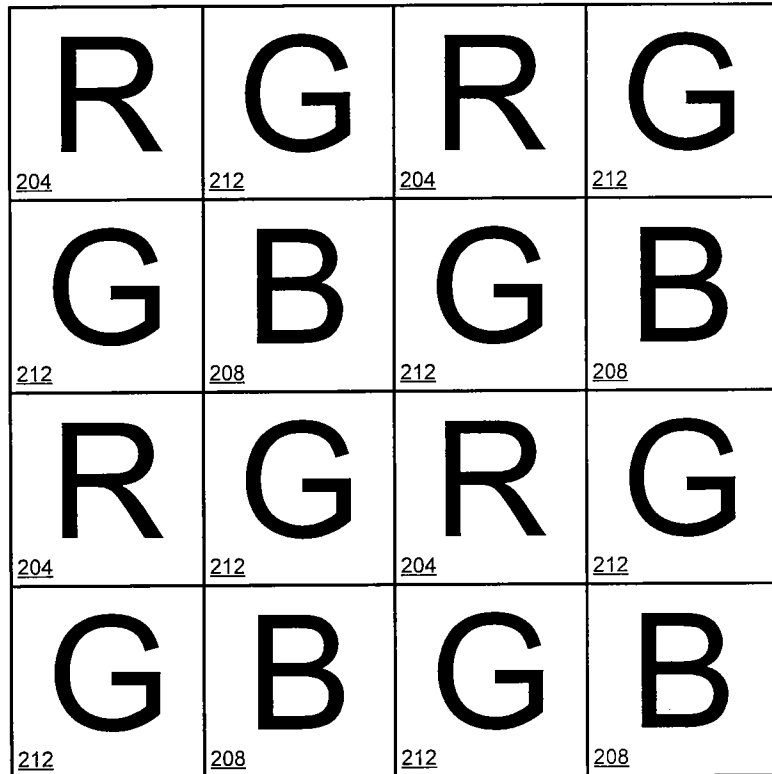


Fig. 2A

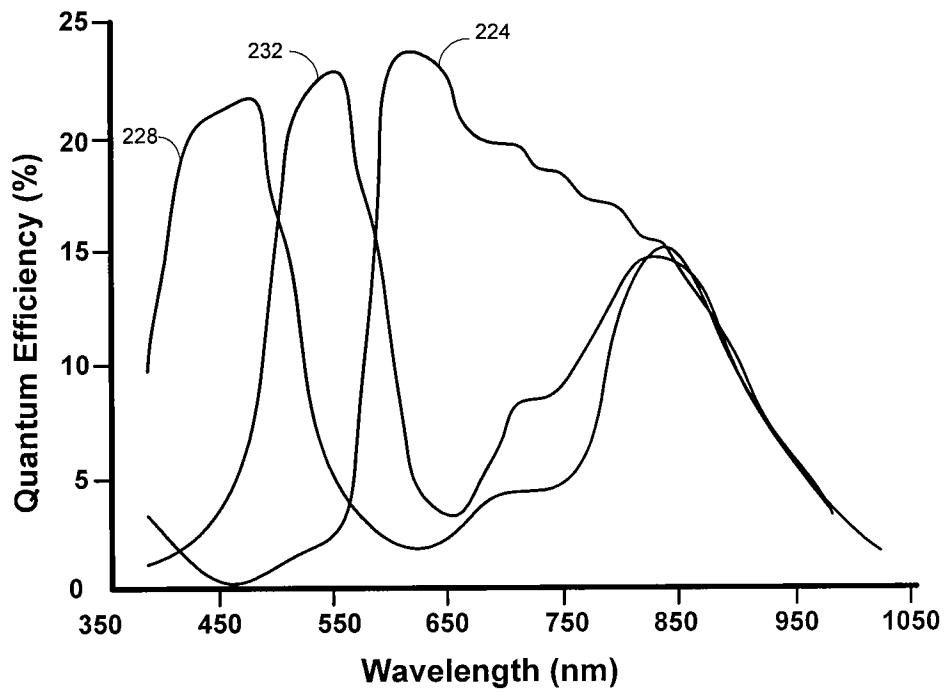


Fig. 2B

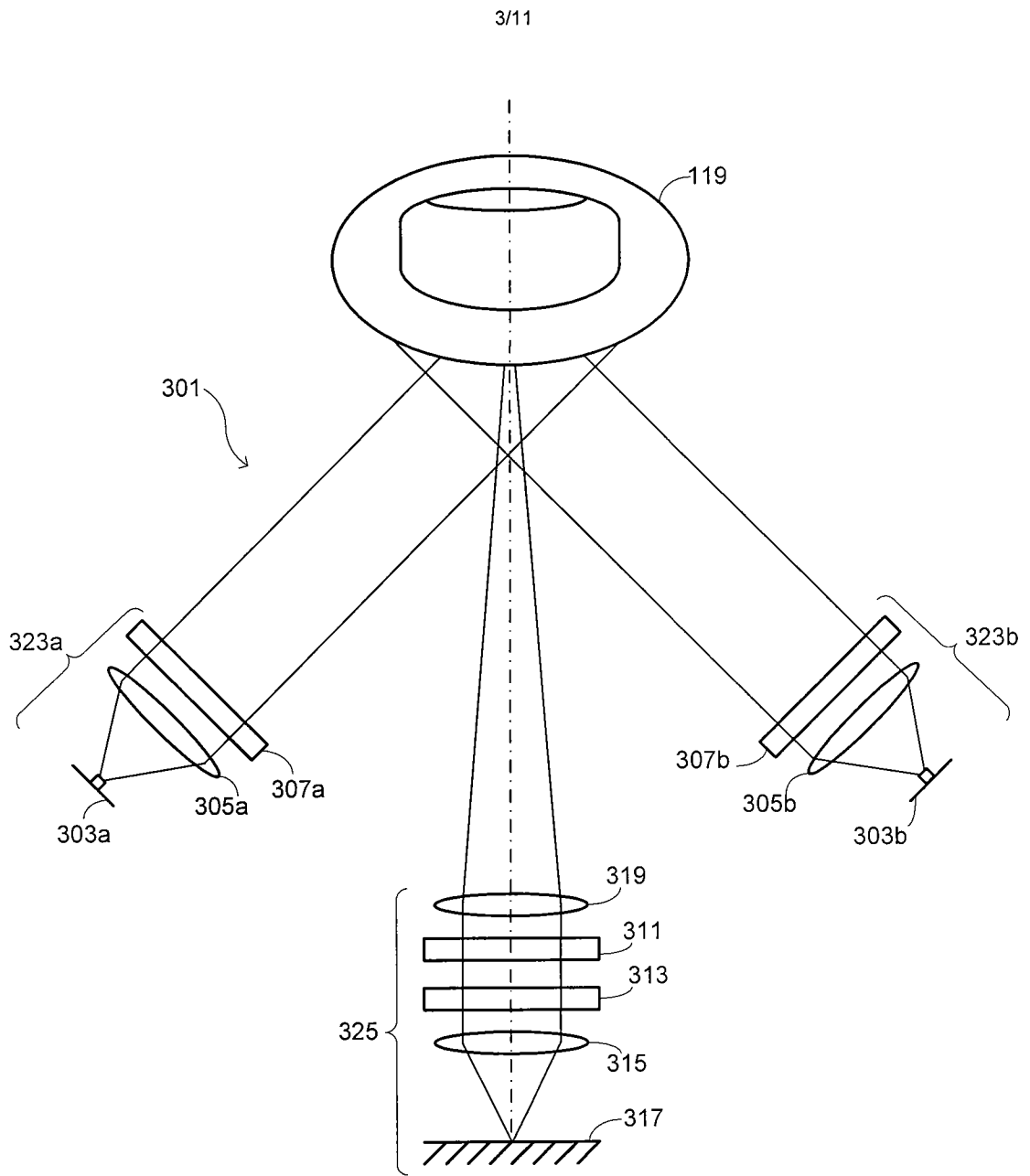


Fig. 3

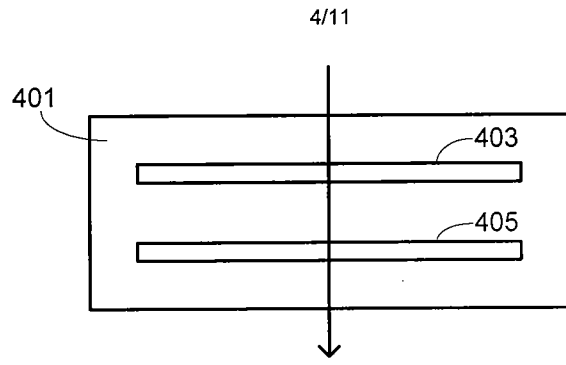


Fig. 4

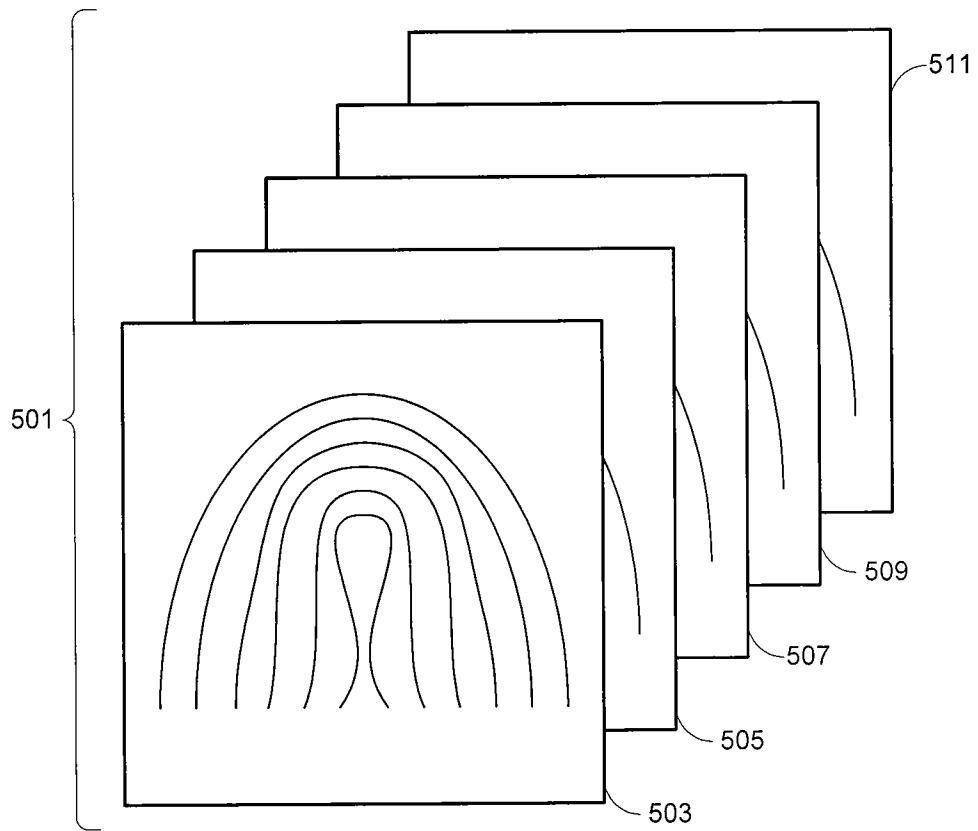


Fig. 5

5/11

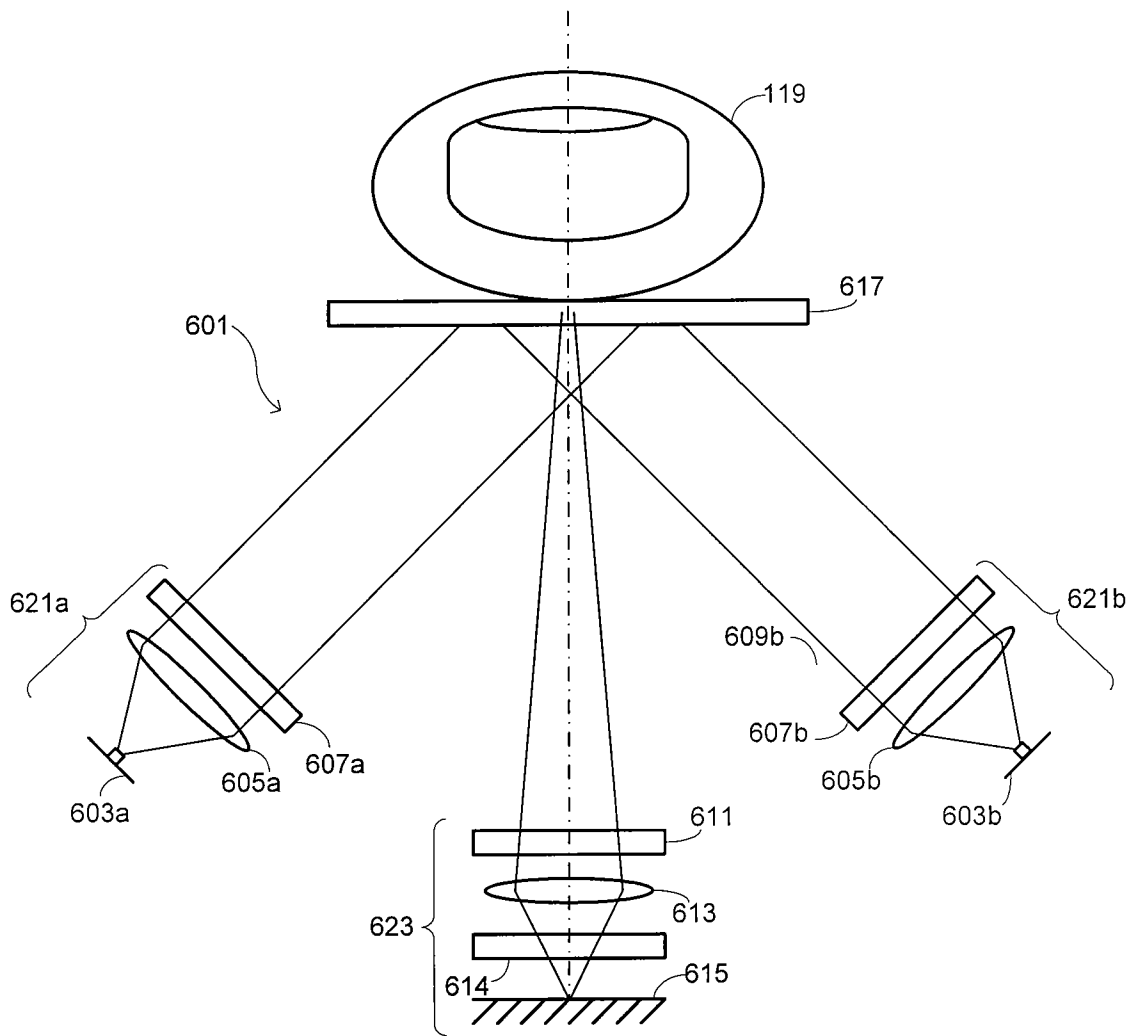


Fig. 6

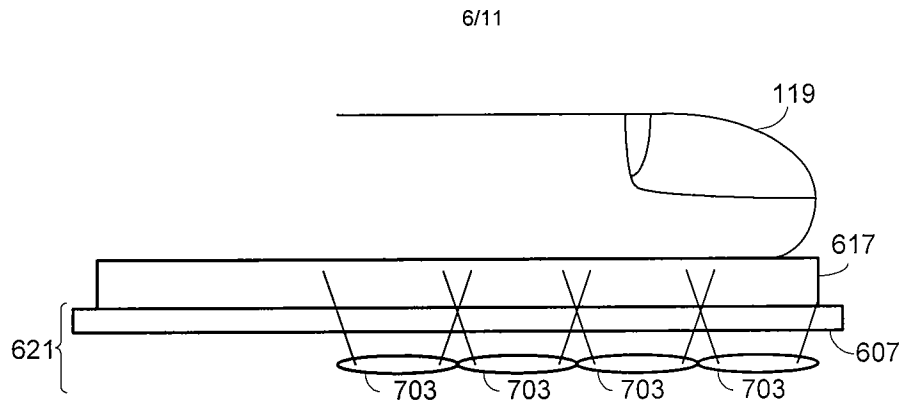


Fig. 7A

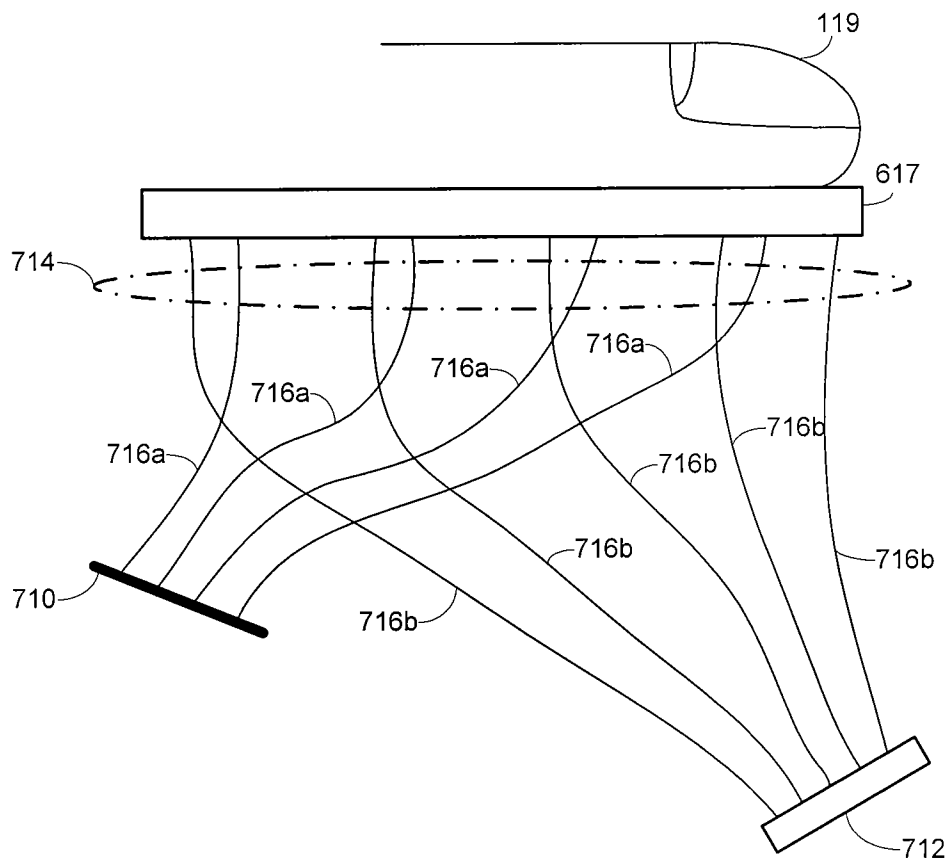


Fig. 7B

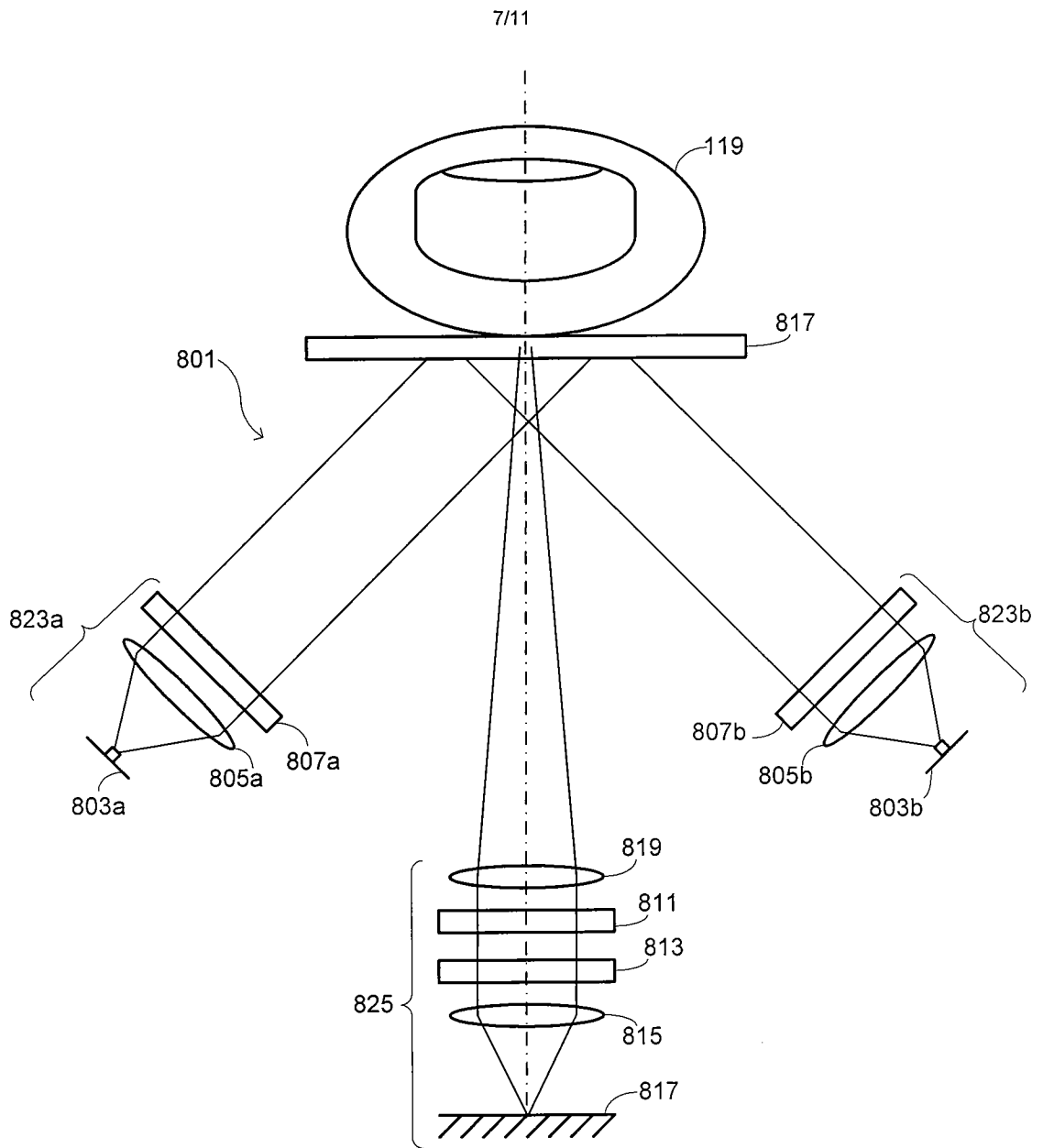


Fig. 8

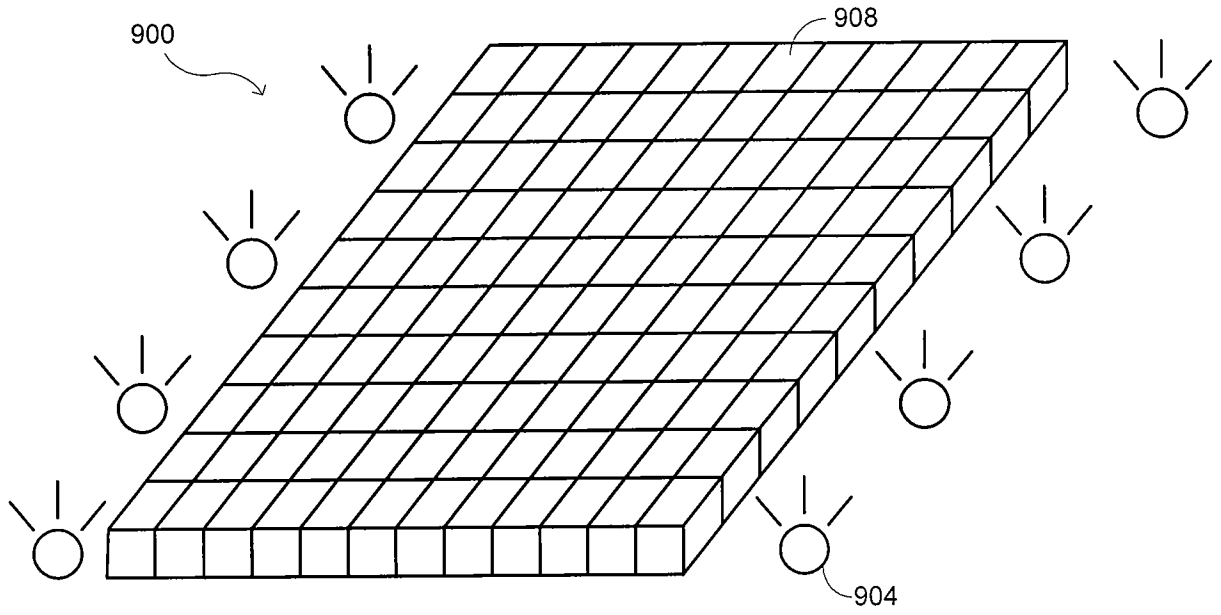


Fig. 9A

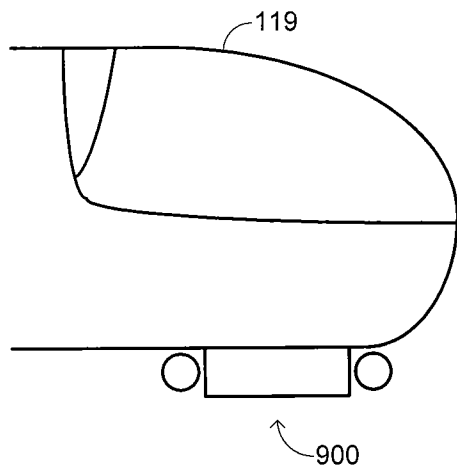


Fig. 9B

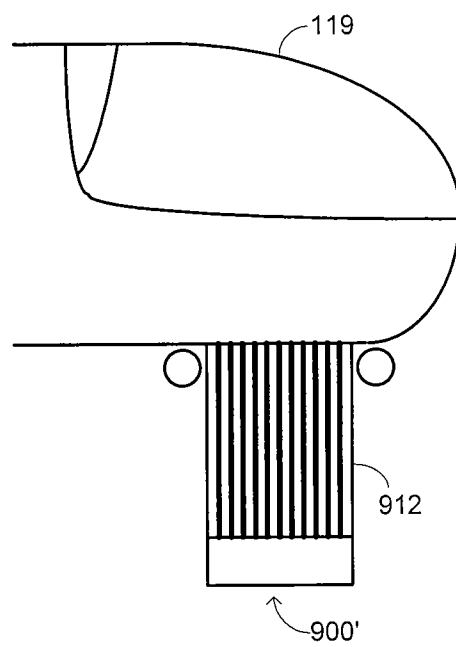


Fig. 9C

9/11

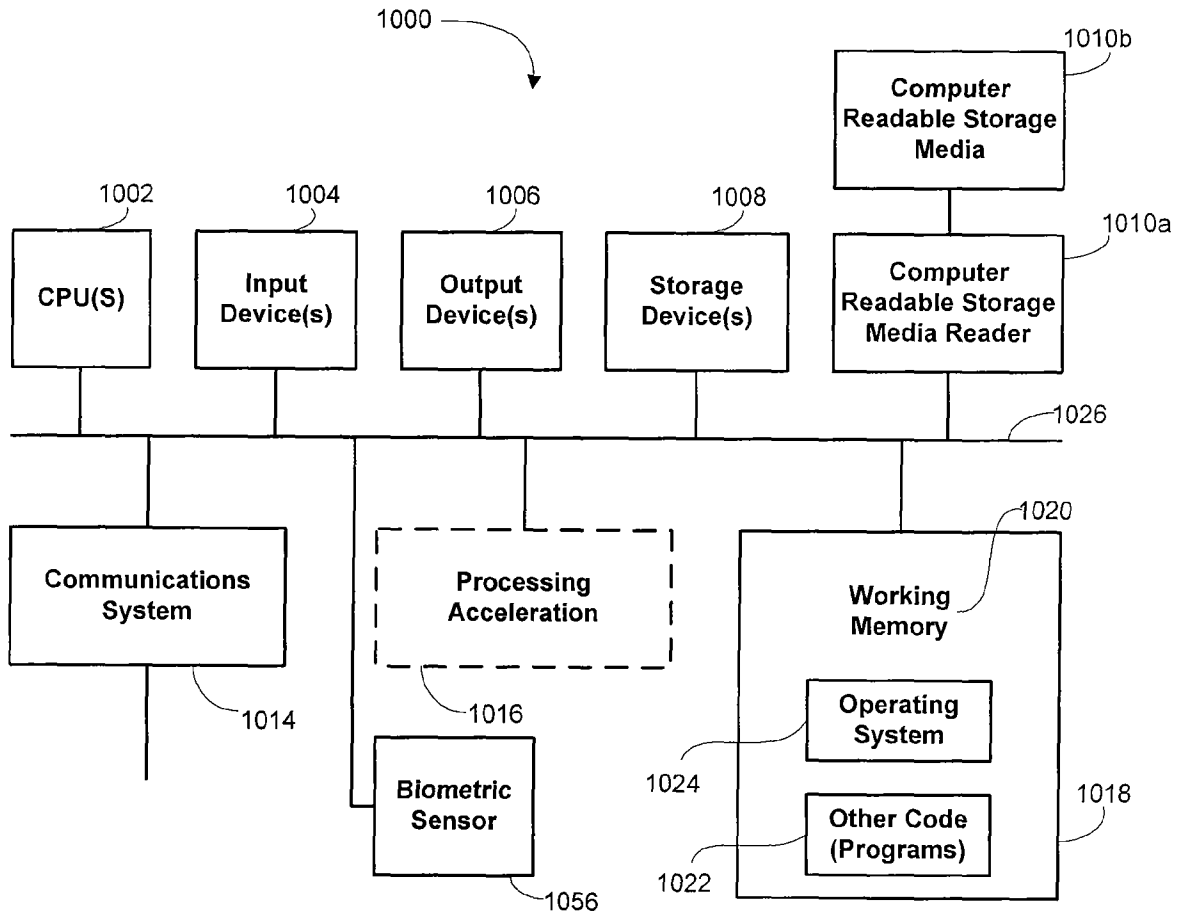


Fig. 10

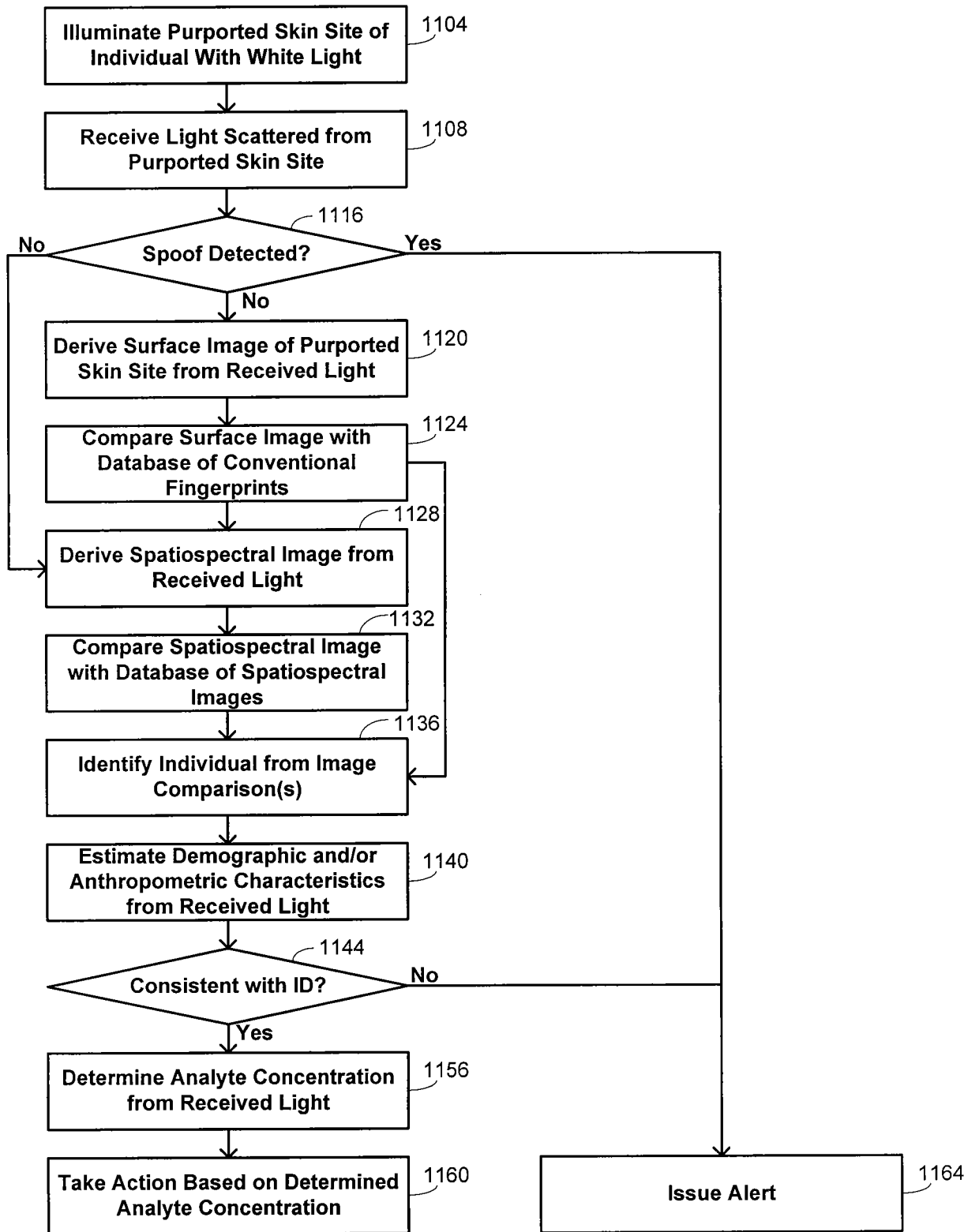
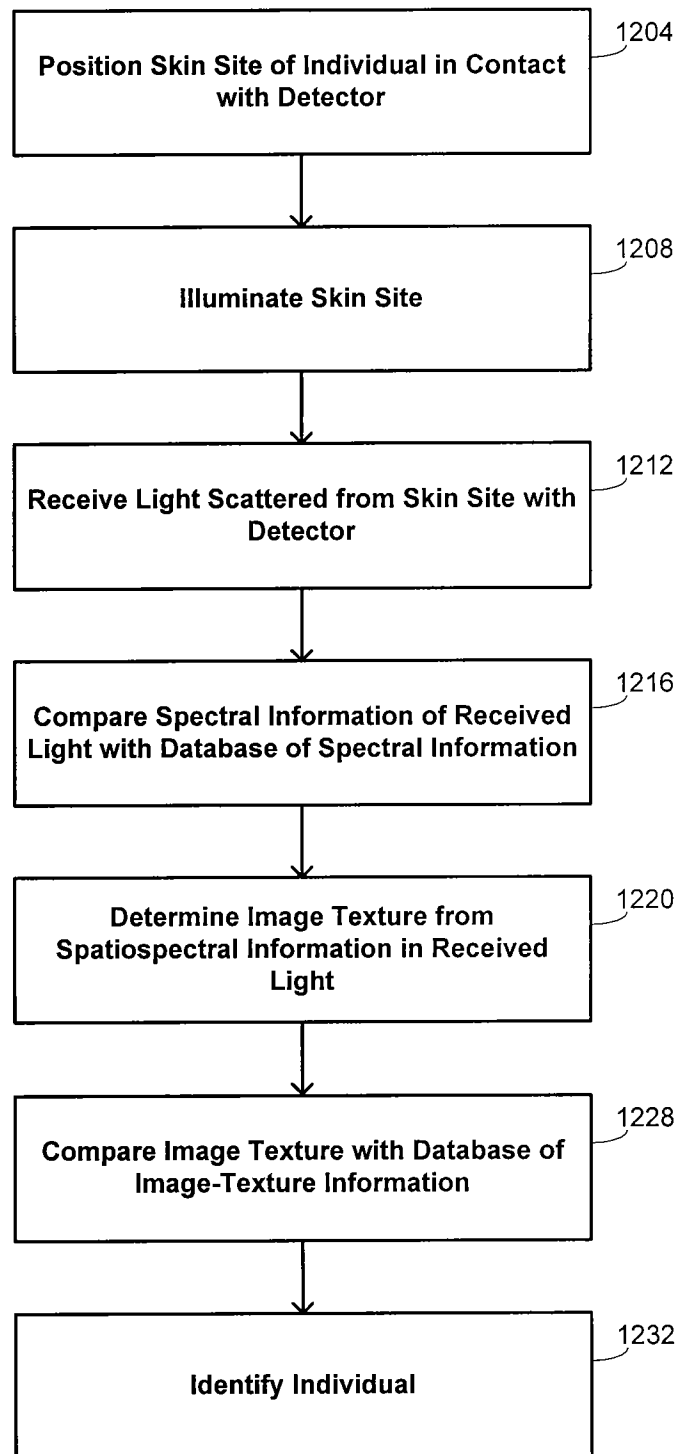


Fig. 11

11/11

**Fig. 12**

INTERNATIONAL SEARCH REPORT

International application No.

PCT/US 07/73886

A. CLASSIFICATION OF SUBJECT MATTER

IPC(8) - G06K 9/00 (2008.04)

USPC - 382/124

According to International Patent Classification (IPC) or to both national classification and IPC

B. FIELDS SEARCHED

Minimum documentation searched (classification system followed by classification symbols)

USPC: 382/124

Documentation searched other than minimum documentation to the extent that such documents are included in the fields searched
USPC: 382/115, 124, 190, 191; 382/115, 124, 190, 191 (See keywords below)

Electronic data base consulted during the international search (name of data base and, where practicable, search terms used)

Pub WEST (USPT, PGPB, JPAB, EPAB), Google Scholar, Dialog Pro.

Search Terms Used: (biometric), (demographic or anthro\$), (moving adj window), (fourier adj transform), (centrality), (images), ((illumina\$ near3 (skin\$))), ((scatter\$ or reflect\$) near3 light), (form\$ near3 image), (texture), (analy\$ near3 texture), (spooof\$).

C. DOCUMENTS CONSIDERED TO BE RELEVANT

Category*	Citation of document, with indication, where appropriate, of the relevant passages	Relevant to claim No.
X ----- Y	US 2005/0265586 A1 (Rowe et al.), 01 December 2005 (01.12.2005), entire document especially Fig 1; 3A-3C; para [0010]-[0013]; [0044]; [0057]-[0060]; [0081]-[0082]; [0094]-[0099]; [0131]-[0134].	1-3, 5-7, 11-17, 19-21, 25-30, 32-44 and 46-55 ----- 4, 8-10, 18, 22-24, 31 and 45.
Y	US 2005/0169504 A1 (Black), 04 August 2005 (04.08.2005), entire document especially para [0135].	4, 18, 31 and 45
Y	US 2006/0062438 A1 (Rowe), 23 March 2006 (23.03.2006), entire document especially para [0013]-[0015]; [0054]-[0061].	8-10 and 22-24

Further documents are listed in the continuation of Box C.

* Special categories of cited documents:

"A" document defining the general state of the art which is not considered to be of particular relevance

"E" earlier application or patent but published on or after the international filing date

"L" document which may throw doubts on priority claim(s) or which is cited to establish the publication date of another citation or other special reason (as specified)

"O" document referring to an oral disclosure, use, exhibition or other means

"P" document published prior to the international filing date but later than the priority date claimed

"T" later document published after the international filing date or priority date and not in conflict with the application but cited to understand the principle or theory underlying the invention

"X" document of particular relevance; the claimed invention cannot be considered novel or cannot be considered to involve an inventive step when the document is taken alone

"Y" document of particular relevance; the claimed invention cannot be considered to involve an inventive step when the document is combined with one or more other such documents, such combination being obvious to a person skilled in the art

"&" document member of the same patent family

Date of the actual completion of the international search

17 July 2008 (17.07.2008)

Date of mailing of the international search report

23 JUL 2008

Name and mailing address of the ISA/US
Mail Stop PCT, Attn: ISA/US, Commissioner for Patents
P.O. Box 1450, Alexandria, Virginia 22313-1450
Facsimile No. 571-273-3201

Authorized officer:
Lee W. Young

PCT Helpdesk: 571-272-4300
PCT OSP: 571-272-7774