



- (51) **International Patent Classification:**
A45F 3/16 (2006.01) A45F 3/04 (2006.01)
- (21) **International Application Number:**
PCT/US20 10/044207
- (22) **International Filing Date:**
3 August 2010 (03.08.2010)
- (25) **Filing Language:** English
- (26) **Publication Language:** English
- (30) **Priority Data:**
61/230,928 3 August 2009 (03.08.2009) US
- (71) **Applicant (for all designated States except US):** HYDRATHON, LLC [US/US]; 234 Causeway Street #902, Boston, MA 02114 (US).
- (72) **Inventor; and**
- (75) **Inventor/Applicant (for US only):** FITZGERALD, Peter [US/US]; 234 Causeway Street, #902, Boston, MA 02114 (US).
- (74) **Agent:** AMUNDSEN, Eric, L.; Wolf, Greenfield & Sacks, P.C., 600 Atlantic Avenue, Boston, MA 02210-2206 (US).
- (81) **Designated States (unless otherwise indicated, for every kind of national protection available):** AE, AG, AL, AM, AO, AT, AU, AZ, BA, BB, BG, BH, BR, BW, BY, BZ,

CA, CH, CL, CN, CO, CR, CU, CZ, DE, DK, DM, DO, DZ, EC, EE, EG, ES, FI, GB, GD, GE, GH, GM, GT, HN, HR, HU, ID, IL, IN, IS, JP, KE, KG, KM, KN, KP, KR, KZ, LA, LC, LK, LR, LS, LT, LU, LY, MA, MD, ME, MG, MK, MN, MW, MX, MY, MZ, NA, NG, NI, NO, NZ, OM, PE, PG, PH, PL, PT, RO, RS, RU, SC, SD, SE, SG, SK, SL, SM, ST, SV, SY, TH, TJ, TM, TN, TR, TT, TZ, UA, UG, US, UZ, VC, VN, ZA, ZM, ZW.

(84) **Designated States (unless otherwise indicated, for every kind of regional protection available):** ARIPO (BW, GH, GM, KE, LR, LS, MW, MZ, NA, SD, SL, SZ, TZ, UG, ZM, ZW), Eurasian (AM, AZ, BY, KG, KZ, MD, RU, TJ, TM), European (AL, AT, BE, BG, CH, CY, CZ, DE, DK, EE, ES, FI, FR, GB, GR, HR, HU, IE, IS, IT, LT, LU, LV, MC, MK, MT, NL, NO, PL, PT, RO, SE, SI, SK, SM, TR), OAPI (BF, BJ, CF, CG, CI, CM, GA, GN, GQ, GW, ML, MR, NE, SN, TD, TG).

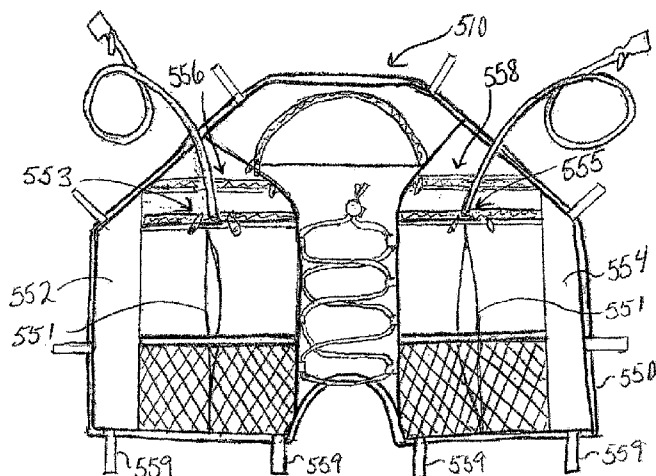
Published:

- with international search report (Art. 21(3))
- before the expiration of the time limit for amending the claims and to be republished in the event of receipt of amendments (Rule 48.2(h))

(88) **Date of publication of the international search report:**
16 June 2011

(54) **Title:** HYDRATION SYSTEM

Fig. 5A



(57) **Abstract:** A bicycle-mountable hydration system includes a first and a second bladder, each configured to hold liquid, and a holder configured to be supported by a top bar of a bicycle. The holder has first and second outward-facing sides and first and second inward-facing sides. The holder includes a left portion that is configured to receive the first bladder at the first-inward-facing side and a right portion that is configured to receive the second bladder at the second inward-facing side and a middle portion connecting the left portion and the right portion. When the holder is supported by a top bar of a bicycle, the first-inward-facing side of the left portion faces the first-inward-facing side of the right portion. The middle portion may hang over the top bar of the bicycle to support the holder with the first bladder on an opposite side of the top bar from the second bladder. The system may be convertible to function as a hydration backpack when removed from the bicycle.

WO 2011/017295 A3

A. CLASSIFICATION OF SUBJECT MATTER*A45F 3/16(2006.01)i, A45F 3/04(2006.01)i*

According to International Patent Classification (IPC) or to both national classification and IPC

B. FIELDS SEARCHED

Minimum documentation searched (classification system followed by classification symbols)

A45F 3/16; B62J 11/00; A45F 3/18

Documentation searched other than minimum documentation to the extent that such documents are included in the fields searched

Korean utility models and applications for utility models

Japanese utility models and applications for utility models

Electronic data base consulted during the international search (name of data base and, where practicable, search terms used)

eKOMPASS(KIPO internal) & Keywords:hydration, bicycle, holder

C. DOCUMENTS CONSIDERED TO BE RELEVANT

Category*	Citation of document, with indication, where appropriate, of the relevant passages	Relevant to claim No.
A	US 2007-0278273 A1 (TODD JONATHAN HOLLIS) 06 December 2007 See abstract, FIGs.1-5, paragraphs [002J-0026], claim I	1-26
A	US 0530I858A A (DOUGLAS s. HOLLANDER) 12 April 1994 See abstract, FIGs.1,9,10, column 5 line 6 - column 7 line 52, claim I	1-26

 Further documents are listed in the continuation of Box C. See patent family annex.

* Special categories of cited documents:

"A" document defining the general state of the art which is not considered to be of particular relevance

"E" earlier application or patent but published on or after the international filing date

"L" document which may throw doubts on priority claim(s) or which is cited to establish the publication date of citation or other special reason (as specified)

"O" document referring to an oral disclosure, use, exhibition or other means

"P" document published prior to the international filing date but later than the priority date claimed

"T" later document published after the international filing date or priority date and not in conflict with the application but cited to understand the principle or theory underlying the invention

"X" document of particular relevance; the claimed invention cannot be considered novel or cannot be considered to involve an inventive step when the document is taken alone

"Y" document of particular relevance; the claimed invention cannot be considered to involve an inventive step when the document is combined with one or more other such documents, such combination being obvious to a person skilled in the art

"&" document member of the same patent family

Date of the actual completion of the international search

28 APRIL 2011 (28.04.2011)

Date of mailing of the international search report

28 APRIL 2011 (28.04.2011)

Name and mailing address of the ISA/KR

Korean Intellectual Property Office
Government Complex-Daejeon, 189 Cheongsa-ro,
Seo-gu, Daejeon 302-701, Republic of Korea

Facsimile No. 82-42-472-7140

Authorized officer

Mm In Gyou

Telephone No. 82-42-481-5582



INTERNATIONAL SEARCH REPORT

Information on patent family members

International application No.

PCT/US2010/044207

Patent document cited in search report	Publication date	Patent family member(s)	Publication date
US 2007-0278273 A1	06 . 12 . 2007	US 2007-278273 A1 US 763 1784 B2	06 . 12 . 2007 15 . 12 . 2009
US 0530 1858A A	12 . 04 . 1994	None	