

(19) **DANMARK**

(10) **DK/EP 3387409 T3**



(12) **Oversættelse af
europæisk patentskrift**

Patent- og
Varemærkestyrelsen

-
- (51) Int.Cl.: **G 01 N 1/20 (2006.01)** **G 01 N 1/08 (2006.01)** **G 01 N 1/14 (2006.01)**
G 01 N 1/10 (2006.01) **G 01 N 33/10 (2006.01)**
- (45) Oversættelsen bekendtgjort den: **2020-03-30**
- (80) Dato for Den Europæiske Patentmyndigheds bekendtgørelse om meddelelse af patentet: **2020-01-08**
- (86) Europæisk ansøgning nr.: **16795274.6**
- (86) Europæisk indleveringsdag: **2016-11-08**
- (87) Den europæiske ansøgnings publiceringsdag: **2018-10-17**
- (86) International ansøgning nr.: **EP2016076937**
- (87) Internationalt publikationsnr.: **WO2017097524**
- (30) Prioritet: **2015-12-10 FR 1562153**
- (84) Designerede stater: **AL AT BE BG CH CY CZ DE DK EE ES FI FR GB GR HR HU IE IS IT LI LT LU LV MC MK MT NL NO PL PT RO RS SE SI SK SM TR**
- (73) Patenthaver: **AXENS, 89 Bd. Franklin Roosevelt , B.P. 50802, 92508 Rueil Malmaison Cedex, Frankrig**
- (72) Opfinder: **DESPAUX, Yvan, 9 Rue de Poissy, 78810 Feucherolles, Frankrig**
- (74) Fuldmægtig i Danmark: **RWS Group, Europa House, Chiltern Park, Chiltern Hill, Chalfont St Peter, Bucks SL9 9FG, Storbritannien**
- (54) Benævnelse: **ANORDNING TIL PRØVEUDTAGNING AF GRANULEREDE STOFFER**
- (56) Fremdragne publikationer:
WO-A1-2011/035377
FR-A1- 2 679 655
US-A- 5 211 062
GORSHTEYN A Y ET AL: "SUBSURFACE DETECTION OF ENVIRONMENTAL POLLUTANTS",
INSTRUMENTATION SCIENCE & TECHNOLOGY, TAYLOR & FRANCIS INC, US, vol. 27, no. 2, 1 avril 1999 (1999-04-01), pages 111-121, XP000831275, ISSN: 1073-9149, DOI: 10.1080/10739149908085839

DESCRIPTION**Technical field of the invention**

5 The present invention relates to a device for the sampling and extraction of granular solids, as well as to a method for carrying out such an extraction.

Prior art

10

Devices for the sampling and extraction of granular solids, for example in a pack of granular solids (also known as a bed of granular solids) distributed in a vessel, are known in the prior art.

15

The document FR 2 679 655 describes a sampling probe for the sampling and extraction of loose granular solids by core sampling and aspiration of said granular solids. The sampling probe is constituted by three juxtaposed conduits, a central
20 conduit and two lateral conduits, in which three streams of air move as counter-currents. In that device, the gas streams moving in the lateral tubes act to equilibrate the turbulences which are generated when aspirating the granular solids into the central tube.

25

The document EP 0 411 932 describes a pneumatic sampling probe for extracting a sample which is representative of a loose material. The wall of the probe comprises an opening for withdrawing the sample which is aspirated by means of a vacuum
30 pump. Next, compressed air is injected in order to stop the sampling and transport the sample to a storage zone. The inner portion of the end of the zone, which is rounded, comprises an intermediate storage zone for the sample. However, that device is not suitable for the extraction of granular solids located
35 at a depth of more than one or two metres, for example in a silo or in a bed of catalyst or adsorbent contained in a reactor.

The document US 4 072 059 describes a device comprising a

sampling probe comprising a plurality of sampling openings located at different levels on the probe, as well as suction means connected to said openings in order to withdraw samples from a pack of granular solids. Again, a device of that type
5 cannot be used to sample depths beyond two metres or even less, as the device has to be driven into a pack of granular solids using only human strength. Thus, as with the device disclosed in the document EP 0 411 932, it is necessary to partially empty the silo or reactor containing the bed of catalyst or the
10 adsorbent by an amount of one or two metres in order to sample at a plurality of depths.

The device in accordance with the invention can be used to overcome the disadvantages of prior art devices by proposing a
15 device for the sampling and extraction of granular solids located in a pack of granular solids, meaning that samples can be taken at different depths in the pack without the need to carry out any intermediate operation involving emptying part of the granular solids constituting the pack, and also preserving
20 the physico-chemical integrity of said granular solid.

The device in accordance with the invention can be used to sample small quantities of granular solids (20 to 200 cm³), and therefore in a limited zone and with good precision, which means
25 that the state of the granular solid in these various zones can be determined. This means that the state of a granular solid can easily be inspected, or reasons for any degradation thereof can be determined by analysis of these localized samples.

30 The device in accordance with the invention can be used to inspect the quality of granular solids and/or their physico-chemical properties, such as, for example, in cereals (wheat, corn, rape, rice) stored in silos, sand, grit, charcoal, cements or other solid materials the quality of which is to be inspected.
35 The device in accordance with the invention may be used to detect any deterioration in the quality of cereal grains in storage vessels.

The device in accordance with the invention is thus of particular application in the detection of poisons of catalysts or of solid adsorbents which cause their performance to deteriorate. It can be used to determine the extent of the zone of a bed of catalyst
5 or of an adsorbent involved in that poisoning.

As an example, the device in accordance with the invention may also be used to verify proper functioning of an adsorbent by taking local samples and analysing them, which means that a
10 check can be carried out that the products to be adsorbed are being effectively retained by said adsorbent.

Objectives of the invention

15 In a first aspect, the invention concerns a device for the sampling and extraction of at least one granular solid according to claim 1

Advantageously, the distance between the two flaps is in the
20 range 100 to 400 mm.

Preferably, the two flaps are pivoted on their lower edge.

Advantageously, said central conduits of said sampling tube and
25 transfer tube are connected to a source of gaseous fluid.

Preferably, said gaseous fluid control means is capable of generating a partial vacuum in the central conduits of said sampling tube and transfer tube.
30

Preferably, said transfer tubes have a length in the range 200 to 900 mm.

Preferably, said transfer tubes have a diameter in the range 25
35 to 70 mm.

Advantageously, said device comprises in the range 1 to 30 transfer tubes.

Preferably, said sampling tube and transfer tube each comprise a supplemental lateral conduit.

5 Advantageously, said supplemental lateral conduits of said sampling tube and transfer tube are connected to a source of gaseous fluid.

10 Preferably, the volume of the collection chamber is in the range 20 to 200 cm³.

In another aspect, the invention concerns a method for sampling and extracting at least one granular solid according to claim 12.

15

In another aspect, the invention concerns the use of a device in accordance with the invention for the sampling and extraction of at least one granular solid selected from the following group of granular solids: grains of catalyst, cereals, sand, grit, charcoal, and cements.

20

Description of the figures

Figure 1 is a longitudinal sectional view of the device in accordance with the invention (a single transfer tube 5 is shown in Figure 1), comprising a sampling probe 1, a sample collector 2 and a control means 3, said sampling tube 4 comprising a collection chamber 10 comprising a retaining system 11 in the form of a system with two flaps 11a, 11b.

25

30

Figure 2 is a top view of the device in accordance with the invention, in which the inlets and outlets for the gaseous fluids are shown.

35 Figure 3a is a cross-sectional view along the axis AA' shown in Figure 1 of a sampling tube 4 of the device in accordance with the invention; Figure 3b is a cross-sectional view along the axis BB' shown in Figure 1 of a transfer tube 5 of the device

in accordance with the invention.

Figure 4 illustrates a device in accordance with the invention in position in a reactor 20 comprising a pack of granular solids 21 in the form of grains of catalyst. The device in accordance with the invention comprises a sampling probe 1, a sample collector 2 and a control means 3, said sampling probe comprising a sampling tube 4 and a plurality of transfer tubes 5 (12 transfer tubes are shown in Figure 5).

10

Detailed description of the invention

The invention will now be described with reference to Figures 1 to 4, which represent an embodiment of the device in accordance with the invention, and are provided by way of non-limiting example.

15

Referring to Figure 1, the device in accordance with the invention comprises a sampling probe 1, a sample collector 2 and a control means 3, said sample collector 2 being connected to said sampling probe 1 via an outlet conduit 9 located on the control means 3. The sampling probe 1 comprises two distinct portions. The lower portion of the sampling probe 1 comprises a sampling tube 4; the upper portion of the sampling probe 25 comprises at least one transfer tube 5. The sampling tube 4 functions to extract at least one granular solid which is in a pack; the transfer tube 5 functions to transfer the extracted granular solid via the sampling tube 4 to the sample collector 2.

30

The sampling tube 4 and transfer tube 5 are divided into a plurality of conduits which are parallel and impermeable over their entire length. When assembling the device in accordance with the invention, the sampling tube 4 and transfer tube 5 are assembled progressively end to end by screwing them together and are dropped vertically or at an angle, for example into a catalytic bed (Figure 4).

35

Referring to Figures 1, 3a and 3b, the sampling tube 4 comprises a central conduit 6a and two lateral conduits 7a, 8a and said transfer tube 5 comprises a central conduit 6b and two lateral conduits 7b, 8b. When the device in accordance with the invention is assembled and is in operation, the central conduit 6a of the sampling tube 4 is connected to the central conduit 6b of the transfer tube 5. Similarly, the lateral conduits 7a, 8a of the sampling tube 4 are respectively connected to the lateral conduits 7b, 8b of the transfer tube 5.

The sampling tube 4 comprises a collection chamber 10 (see Figure 1) located in the central conduit 6a. This collection chamber 10 also comprises a retaining system 11 for retaining a granular solid extracted from a pack. The volume of the collection chamber 10 is in the range 20 to 200 cm³, preferably in the range 50 to 150 cm³. More particularly, the retaining system 11 is in the form of a system with two flaps 11a, 11b which operate by opening and closing simultaneously, for example with the aid of a pneumatic actuator or any other equivalent means. The flaps are pivoted about their lower edge 110a, 110b. Preferably, the lower edges of the flaps 110a, 110b are fixed directly on the walls of the central conduit 6a of the sampling tube 4. The flaps 11a, 11b are disposed longitudinally on the sampling tube 4 along the axis AA', as can be seen in Figure 1. Preferably, the distance between the two flaps 11a, 11b is in the range 100 to 400 mm, preferably in the range 150 to 300 mm. The sampling tube 4 has a length in the range 200 to 900 mm, preferably in the range 300 to 800 mm, and a diameter in the range 25 to 70 mm, preferably 30 mm to 60 mm and more preferably 35 to 55 mm.

The number of transfer tubes 5 may vary widely as a function of the envisaged use, and in particular the desired analysis depth. Preferably, the number of transfer tubes 5 is in the range 1 to 30, and preferably in the range 1 to 20. The transfer tubes 5 have a length in the range 200 to 900 mm, preferably in the range 300 to 800 mm, and a diameter in the range 25 to 70 mm, preferably in the range 30 mm to 60 mm and more preferably 35 to 55 mm. In one particular embodiment of the invention, the

upper portion and lower portion of each transfer tube 5 may each have a different diameter. Advantageously, the transfer tubes 5 are all identical and independent of each other.

5 The transfer tubes 5 are aligned vertically and are connected together. At least one transfer tube 5 is connected to the control means 3, and at least one transfer tube is connected to the sampling tube 4. In the particular embodiment in which a single transfer tube 5 is used, said transfer tube is connected
10 to both the sampling tube 4 and to the control means 3.

The sampling tube 4 and transfer tube 5 may be connected together by screwing up tightly as the sampling probe 1 is dropped into the pack of granular solids. This means that the position of
15 the point to be sampled at a predetermined depth can be reached. The lower portion of the control means 3 and the upper portion of the sampling tube 4 preferably have shapes and dimensions which are compatible with those of the transfer tubes 5 so that they can be connected together.

20 Advantageously, the control means 3 is capable of generating a partial vacuum in the central conduits 6a, 6b of said sampling tube 4 and transfer tube 5. The formation of a partial vacuum of gas in the central conduits 6a, 6b of said sampling tube 4
25 and transfer tube 5 facilitates dropping the device in accordance with the invention into the depths of the pack of granular solids.

In accordance with the invention, the lateral conduits 7a, 8a
30 of the sampling tubes 4 and the lateral conduits 7b, 8b of the transfer tubes 5 are connected to a source of gaseous fluid 12, such as air or an inert gas, via the control means 3 (see Figure 2), which is capable of extracting a granular solid when the latter is retained in the collection chamber 10 of the sampling
35 tube 4, via the lateral conduits 8a then 8b of said sampling tube 4 and transfer tube 5.

In a particular embodiment of the invention, the device may

further comprise a vibrating pneumatic tool (not shown in the figures), which acts to facilitate dropping and/or lifting the sampling probe 1 into a pack of granular solids. In particular, when the granular solids are grains of catalyst, penetration of the sampling probe 1 may be difficult due, for example, to coking of said catalyst or to partial agglomeration of said grains of catalyst. The vibrating pneumatic tool may be fixed directly to the sampling tube 4 and be supplied with a source of gaseous fluid 16, such as air or inert gas passing through the control means 3 (see Figure 2) then via the supplemental lateral conduits 15a and 15b of said sampling tube 4 and transfer tube 5 respectively (see Figures 3a and 3b). More particularly, the vibrating pneumatic tool may be in the form of two lateral pneumatic actuators (not shown in the figures).

The device in accordance with the invention may be used for the extraction or sampling of at least one granular solid in a pack of granular solids. In accordance with the invention, the method comprises at least the following steps:

- a) inserting said sampling probe 1 into a pack of granular solids to a predetermined depth;
- b) extracting at least one granular solid from the pack and retaining said granular solid in the collection chamber 10 of said sampling tube 4 by means of a retaining system 11;
- c) injecting a gaseous fluid 12 under pressure, such as air or an inert gas, into the lateral conduits 7a, 7b of said sampling tube 4 and transfer tube 5 in order to extract said granular solid which has been extracted and retained in step b);
- d) recovering said granular solid in said sample collector 2.

The steps of the method in accordance with the invention are described in detail below.

Step a)

The device in accordance with the invention is dropped progressively into a pack of granular solids by vacuum aspiration via the control means 3 for said granular solids passing through the central conduits 6a, 6b of the sampling tube 4 and transfer tube 5, at the same time with progressive manual pushing by the operator.

As the sampling probe 1 is dropped into the bed of granular solids, the retaining system 11 of the sampling tube 4 is not activated. When the retaining system 11 is in the form of a system with two flaps 11a and 11b, the two flaps are in the open position, i.e. the granular solids can move freely in the collection chamber 10 and the central channel 6a of the sampling tube 4.

By way of illustration, for sampling tubes 4 and transfer tubes 5 of 500 mm in length and 50 mm in diameter, approximately 1.5 litres of granular solids per metre of tubes 4 or 5 pass through the central conduits 6a and 6b of said sampling tube 4 and transfer tube 5 and are then evacuated from the device via the outlet 14 located on the control means 3. The outlet 14 may be connected to a vacuum (not shown in the figures) located externally of the reactor 20 (see Figure 4), connected to the central channels 6a and 6b via the control means 3.

The sampling tube 4 and the transfer tubes 5 are assembled as the sampling probe 1 is dropped into the pack of granular solids. The rate of aspiration of the granular solids may be adjusted by means of a vacuum valve (not shown in the figures). The sampling probe 1 then drops into the pack of granular solids down to the predetermined depth.

Step b)

35

Step b) of the method in accordance with the invention consists of extracting and retaining at least one granular solid from the pack. Vacuum aspiration of the granular solids via the control

means 3 is stopped and the retaining system 11 of the sampling tube 4 is activated. When the retaining system 11 is in the form of a system with two flaps 11a and 11b, said flaps are placed in the closed position; the granular solid included in the collection chamber 10 is retained in the sampling tube 4. The lower edges 110a and 110b of the flaps 11a and 11b, fixed on the wall of the central conduit 6a of the sampling tube 4, pivot about their axis of rotation, resulting in the flaps 11a and 11b passing from the vertical position to a horizontal position.

Maintenance of the flaps in the horizontal position may be improved by injecting a downwardly directed flow of gas 13, such as air or an inert gas, injected via the control means 3 (see Figure 2) into the central conduits 6a and 6b of the sampling tube 4 and transfer tube 5.

In the closed position, the two flaps 11a and 11b hold the sample of granular solid. The sample of granular solid has a volume which is generally in the range 20 to 300 cm³, preferably in the range 30 to 250 cm³.

Step c)

Step c) of the method in accordance with the invention consists of sending the sample of granular solid retained in the collection chamber 10 to the sample collector 2. During this step, a gaseous fluid 12 under pressure, such as air or an inert gas, is injected into the lateral conduits 7a, 7b of said sampling tube 4 and transfer tube 5 in order to extract said granular solid which has been extracted and retained in step b). More particularly, the sample of granular solid is lifted towards the collector 2 by injecting a downflow of gaseous fluid 12 under pressure into the lateral conduits 7a and 7b of the sampling tube 4 and transfer tube 5, the lateral conduit 7a of the sampling tube 4 being connected to the central conduit 6a of said tube 4 above the base of the lower flap 11a. The gaseous fluid then pushes the sample of granular solid which enters the

lateral conduit 8a of the sampling tube 4 the opening of which is located just below the upper flap 11b. The sample of granular solid moves in the lateral conduits 8a and 8b of the sampling tube 4 and transfer tube 5, which are tightly connected to the
5 sample collector 2.

The method in accordance with the invention may also comprise supplemental steps, for example for carrying out a second extraction of a granular solid in the pack. After the step for
10 extraction of at least one sample of granular solids, the sampling tube 4 and transfer tube 5 may be raised by placing the central conduits 6a and 6b of said tubes under pressure, simultaneously with manually forcing the sampling probe 1 upwards.

15 The device in accordance with the invention, as well as the method described above using such a device, is applicable to any type of granular solids such as, for example, cereals (wheat, corn, rape, rice) stored in silos, sand, grit, charcoal, cements
20 or other solid materials where the quality of the granular solids and/or their physico-chemical properties are to be inspected. More particularly, the invention is applicable to sampling and/or extraction of granular solids of the grains of catalyst type disposed in a reactor, for example in a chemical reactor,
25 with a view to carrying out different analyses and/or physico-chemical tests.

Patentkrav

1. Anordning til prøveudtagning og udtagning af mindst et granuleret fast stof i en stak af granulerede faste stoffer, 5 hvilken anordning omfatter en prøveudtagningssonde (1), en prøveopsamler (2) forbundet til prøveudtagningssonden (1), og et styreelement (3), hvilken prøveudtagningssonde (1) omfatter et prøveudtagningsrør (4), som er beregnet til at udtage det granulerede faste stof fra stakken, hvilket prøveudtagningsrør 10 (4) er forbundet til mindst et overførselsrør (5), som er beregnet til at overføre det udtagne granulerede faste stof gennem prøveudtagningsrøret (4) til prøveopsamleren (2), hvilket prøveudtagningsrør (4) og hvilket overførselsrør (5) hvert omfatter mindst en midterste ledning og mindst to sideledninger, 15 hvilken midterste ledning (6a) og hvilke sideledninger (7a, 8a) i opsamlingsrøret (4) henholdsvis er forbundet til den midterste ledning (6b) og til sideledningerne (7b 8b) i overførselsrøret (5), hvilken midterste ledning (6a) i prøveudtagningsrøret (4) i øvrigt er forbundet til sideledningerne (7a, 8a) i 20 prøveudtagningsrøret (4), kendetegnet ved, at den midterste ledning (6a) i prøveudtagningsrøret (4) omfatter et opsamlingsrum (10), der omfatter et fastholdelsessystem (11) for det granulerede faste stof, ved, at sideledningerne (7a, 7b) i prøveudtagningsrøret 25 (4) og overførselsrøret (5) er forbundet til en kilde til gasformigt fluidum (12), som er beregnet til at udtage det granulerede faste stof, der fastholdes i opsamlingsrummet (10), gennem sideledningerne (8a, 8b) i prøveudtagningsrøret (4) og overførselsrøret (5), samt ved, at fastholdelsessystemet (11) i 30 prøveudtagningsrøret (4) fremstår som et system med to klapper (11a, 11b), der er placeret på hver side af opsamlingsrummet (10).

2. Anordning ifølge krav 1, kendetegnet ved, at afstanden 35 mellem de to klapper (11a, 11b) ligger mellem 100 og 400 mm.

3. Anordning ifølge krav 1 eller 2, kendetegnet ved, at de to klapper (11a, 11b) er svingbare på deres nederste kant (110a,

110b).

4. Anordning ifølge et hvilket som helst af kravene 1 til 3, kendetegnet ved, at de midterste ledninger (6a, 6b) i
5 prøveudtagningsrøret (4) og overførselsrøret (5) er forbundet til en kilde til gasformigt fluidum (13).

5. Anordning ifølge et hvilket som helst af kravene 1 til 4, kendetegnet ved, at styreelementet (3) for gasformigt fluidum
10 er beregnet til at skabe en trykaflastning i de midterste ledninger (6a, 6b) i prøveudtagningsrøret (4) og overførselsrøret (5).

6. Anordning ifølge et hvilket som helst af kravene 1 til 5, kendetegnet ved, at overførselsrørene (5) har en længde på
15 mellem 200 og 900 mm.

7. Anordning ifølge et hvilket som helst af kravene 1 til 6, kendetegnet ved, at overførselsrørene (5) har en diameter på
20 mellem 25 og 70 mm.

8. Anordning ifølge et hvilket som helst af kravene 1 til 7, kendetegnet ved, at anordningen omfatter mellem 1 og 30
overførselsrør (5).

25 9. Anordning ifølge et hvilket som helst af kravene 1 til 8, kendetegnet ved, at prøveudtagningsrøret (4) og overførselsrøret (5) hvert omfatter en yderligere sideledning.

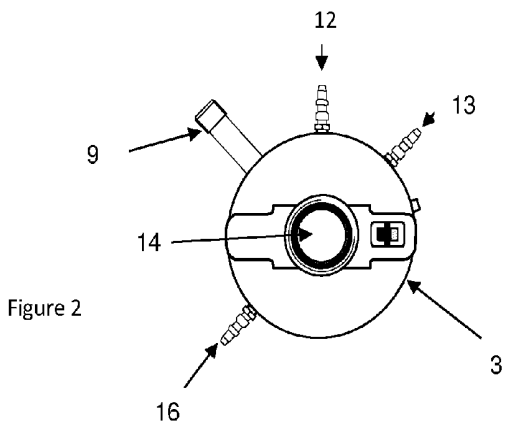
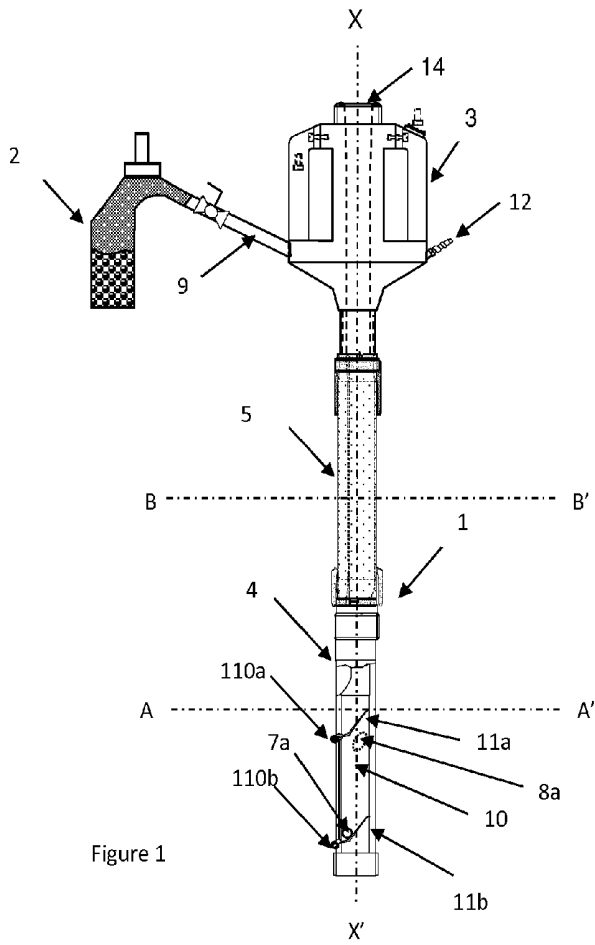
30 10. Anordning ifølge krav 9, kendetegnet ved, at de yderligere sideledninger i prøveudtagningsrøret (4) og overførselsrøret (5) er forbundet til en kilde til gasformigt fluidum.

35 11. Anordning ifølge et hvilket som helst af kravene 1 til 10, kendetegnet ved, at rumfanget af opsamlingsrummet (10) ligger mellem 20 og 200 cm³.

12. Fremgangsmåde til prøveudtagning og udtagning af mindst et

granuleret fast stof ved hjælp af en anordning ifølge et hvilket som helst af kravene 1 til 11, hvilken fremgangsmåde omfatter de følgende trin:

- 5 a) prøveudtagningssonden (1) indsættes i en stak af granulerede faste stoffer og ned til en tidligere bestemt dybde
 - b) mindst et granuleret fast stof udtages af stakken og fastholdes i opsamlingsrummet (10) i prøveudtagningsrøret (4) ved hjælp af fastholdelsessystemet (11)
 - 10 c) et gasformigt fluidum under tryk (12) sprøjtes ind i sideledningerne (7a, 7b) i prøveudtagningsrøret (4) og overførselsrøret (5) for at udtage det granulerede faste stof, der blev udtaget og fastholdt i trin b)
 - d) det granulerede faste stof genvindes i prøveopsamleren (2).
- 15 13. Anvendelse af en anordning ifølge et hvilket som helst af kravene 1 til 11 til prøveudtagning og udtagning af mindst et granuleret fast stof, der er valgt fra den følgende gruppe af granulerede faste stoffer: katalysatorkorn, kornsorter, sand, grus, kul, cement.



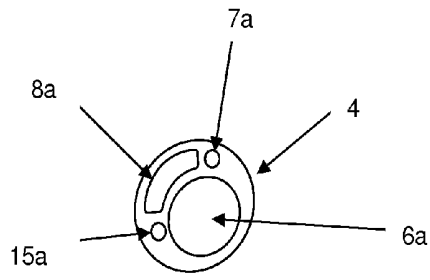


Figure 3a



Figure 3b

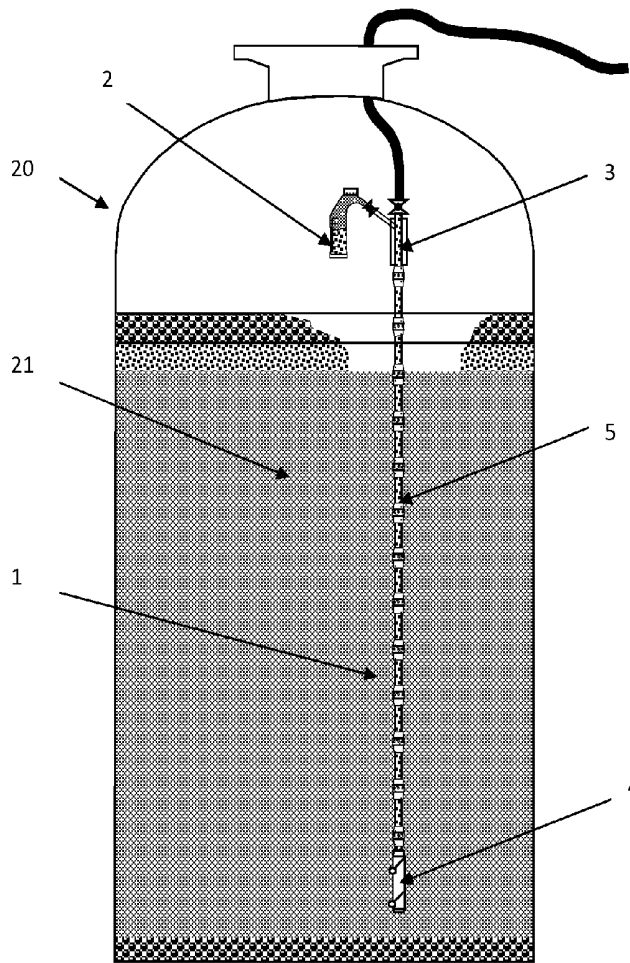


Figure 4