



US00D876924S

(12) **United States Design Patent**
Xie et al.

(10) **Patent No.:** **US D876,924 S**
(45) **Date of Patent:** **** Mar. 3, 2020**

(54) **SMART LOCK**
(71) Applicant: **Shenzhen SeamoonCloud Technology Co., Ltd.**, Shenzhen, Guangdong Province (CN)
(72) Inventors: **Xiao Xie**, Shenzhen (CN); **Peiji Li**, Shenzhen (CN)
(**) Term: **15 Years**
(21) Appl. No.: **29/660,428**
(22) Filed: **Aug. 21, 2018**
(51) **LOC (12) Cl.** **08-07**
(52) **U.S. Cl.**
USPC **D8/331**
(58) **Field of Classification Search**
USPC D8/330, 331, 336, 337, 338, 339, 341, D8/342, 343, 350, 352, 353
CPC ... E05B 9/00; E05B 9/08; E05B 9/002; E05B 47/00; E05B 63/00; E05B 63/0004; E05B 63/06; E05B 51/00; E05B 55/00; E05B 47/0012; E05B 1/0007; E05B 47/068; E05B 2047/0017; E05B 2047/002; E05B 49/00; E05B 47/0657; E05B 45/06; E05B 47/0603; E05B 2047/0068; E05B 47/02; E05B 47/06; E05B 63/04; E05B 55/005; E05B 47/0043; E05B 3/00
See application file for complete search history.

D594,311 S *	6/2009	Stevens	D8/331
D694,091 S *	11/2013	Gartner	D8/330
D709,754 S *	7/2014	Lylyk	D8/331
D720,201 S *	12/2014	Gokcebay	D8/331
D758,167 S *	6/2016	Gartner	D8/331
D758,168 S *	6/2016	Gartner	D8/334
D770,881 S *	11/2016	Gartner	D8/331
D793,205 S *	8/2017	Ho	D8/300
D795,041 S *	8/2017	Oliva Camacho	D8/331
D796,298 S *	9/2017	Lylyk	D8/331
9,874,042 B2 *	1/2018	Gartner	E05B 47/026
10,033,972 B2 *	7/2018	Almomani	H04N 7/186
D830,811 S *	10/2018	Frantz	D8/330
D837,031 S *	1/2019	Cavanna	D8/331
D843,197 S *	3/2019	Dempsey	D8/343

* cited by examiner

Primary Examiner — Steven J Czyz
(74) *Attorney, Agent, or Firm* — Novoclaims Patent Services LLC; Mei Lin Wong

(57) **CLAIM**

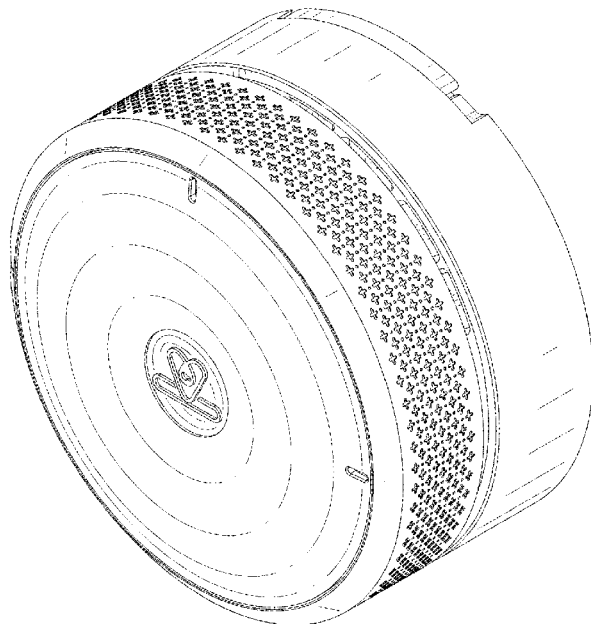
The ornamental design for a smart lock, as shown and described.

DESCRIPTION

FIG. 1 is a perspective view of a smart lock showing my new design;
FIG. 2 is a rear perspective view thereof;
FIG. 3 is a front view thereof;
FIG. 4 is a rear view thereof;
FIG. 5 is a left side view thereof;
FIG. 6 is a right side view thereof;
FIG. 7 is a top view thereof; and,
FIG. 8 is a bottom view thereof.
The broken lines depict portions of the article that form no part of the claimed design.

(56) **References Cited**
U.S. PATENT DOCUMENTS
D463,968 S * 10/2002 LaPlume D8/352
D465,989 S * 11/2002 Carsello D8/352
6,722,170 B2 * 4/2004 Squier E05B 9/08
292/DIG. 53
D561,001 S * 2/2008 Rohde D8/334

1 Claim, 8 Drawing Sheets



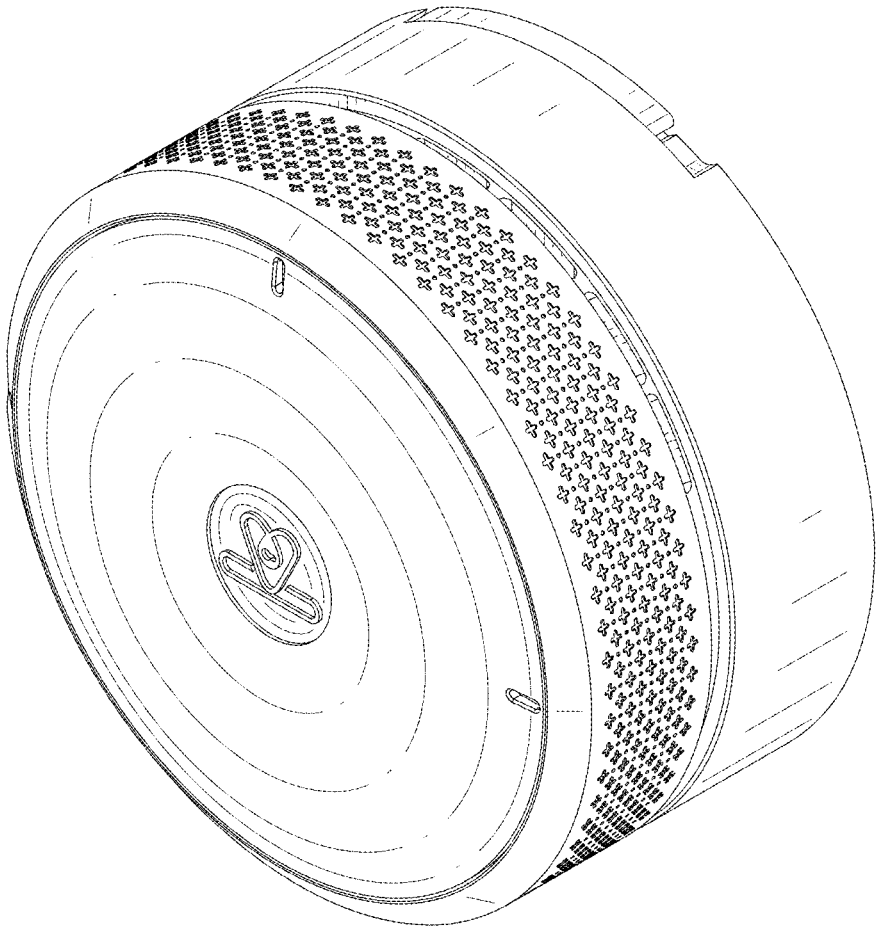


FIG.1

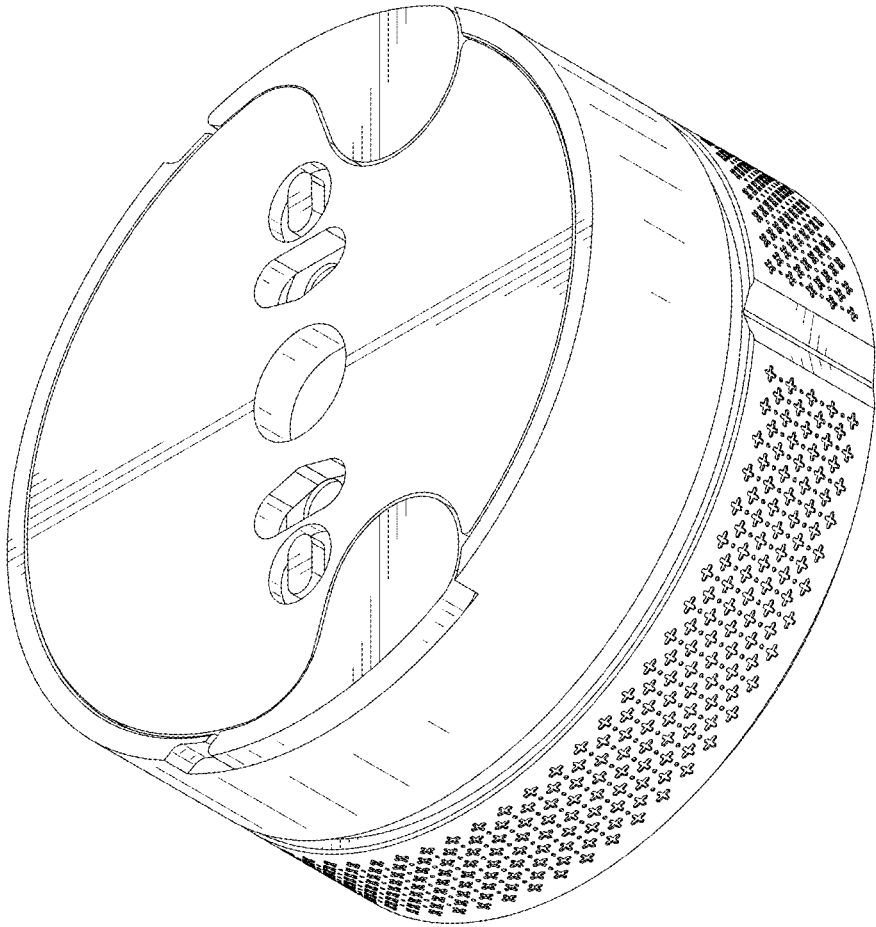


FIG.2

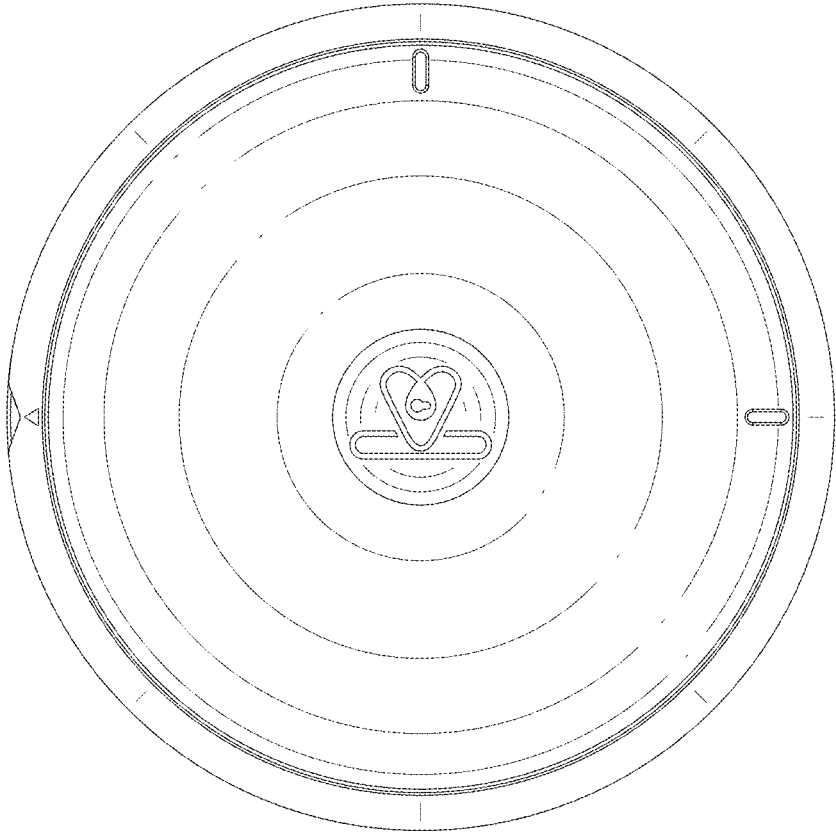


FIG.3

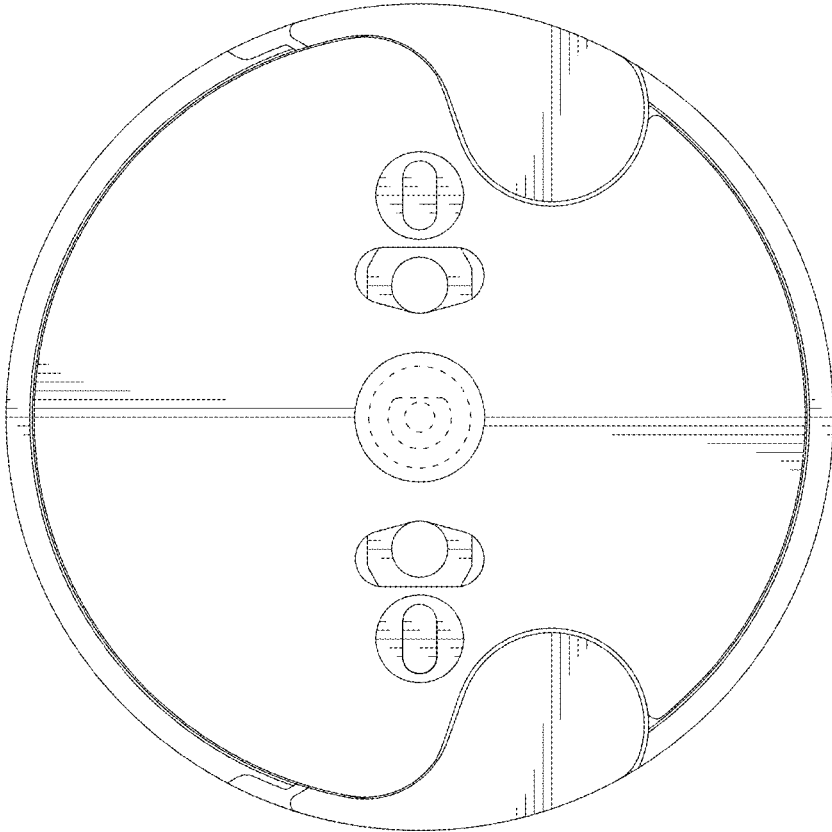


FIG.4

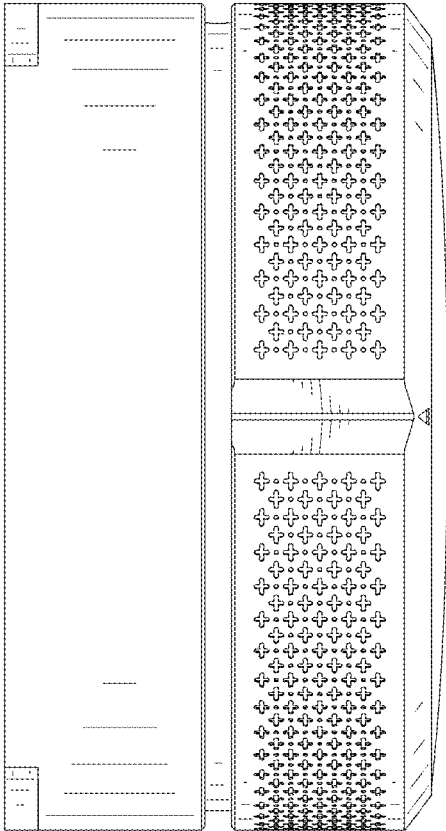


FIG.5

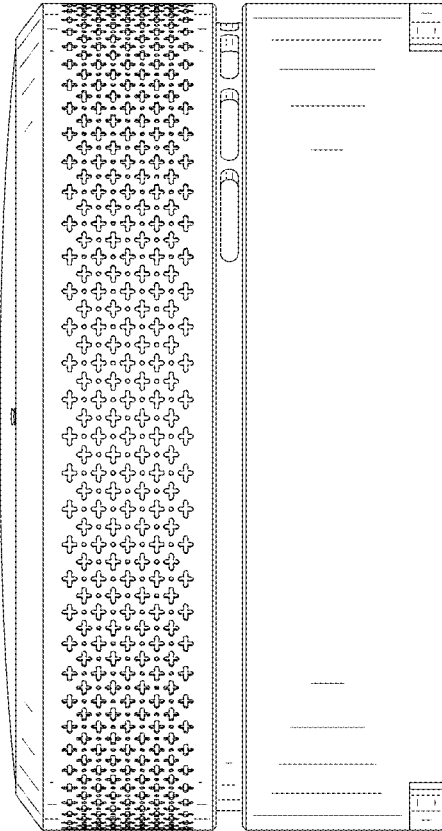


FIG.6

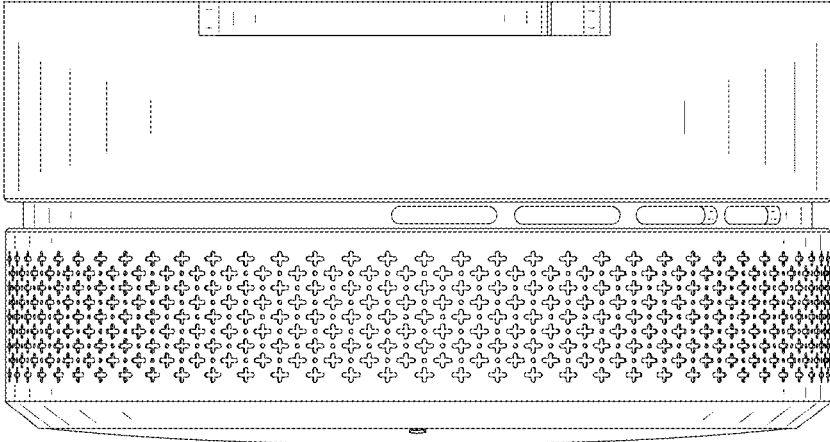


FIG.7

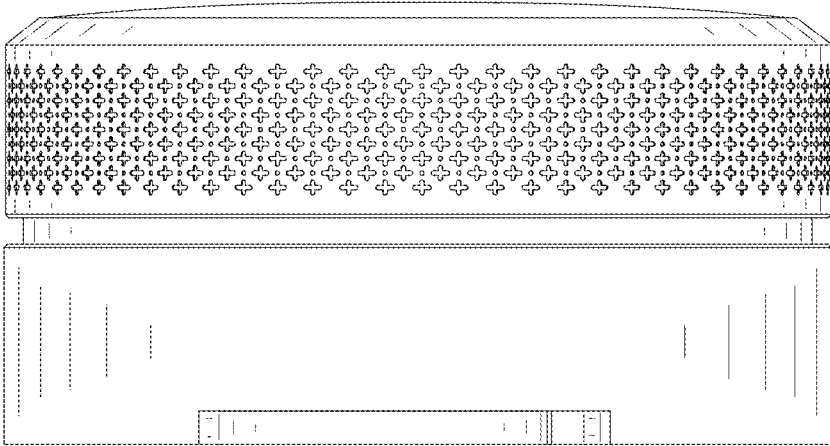


FIG.8