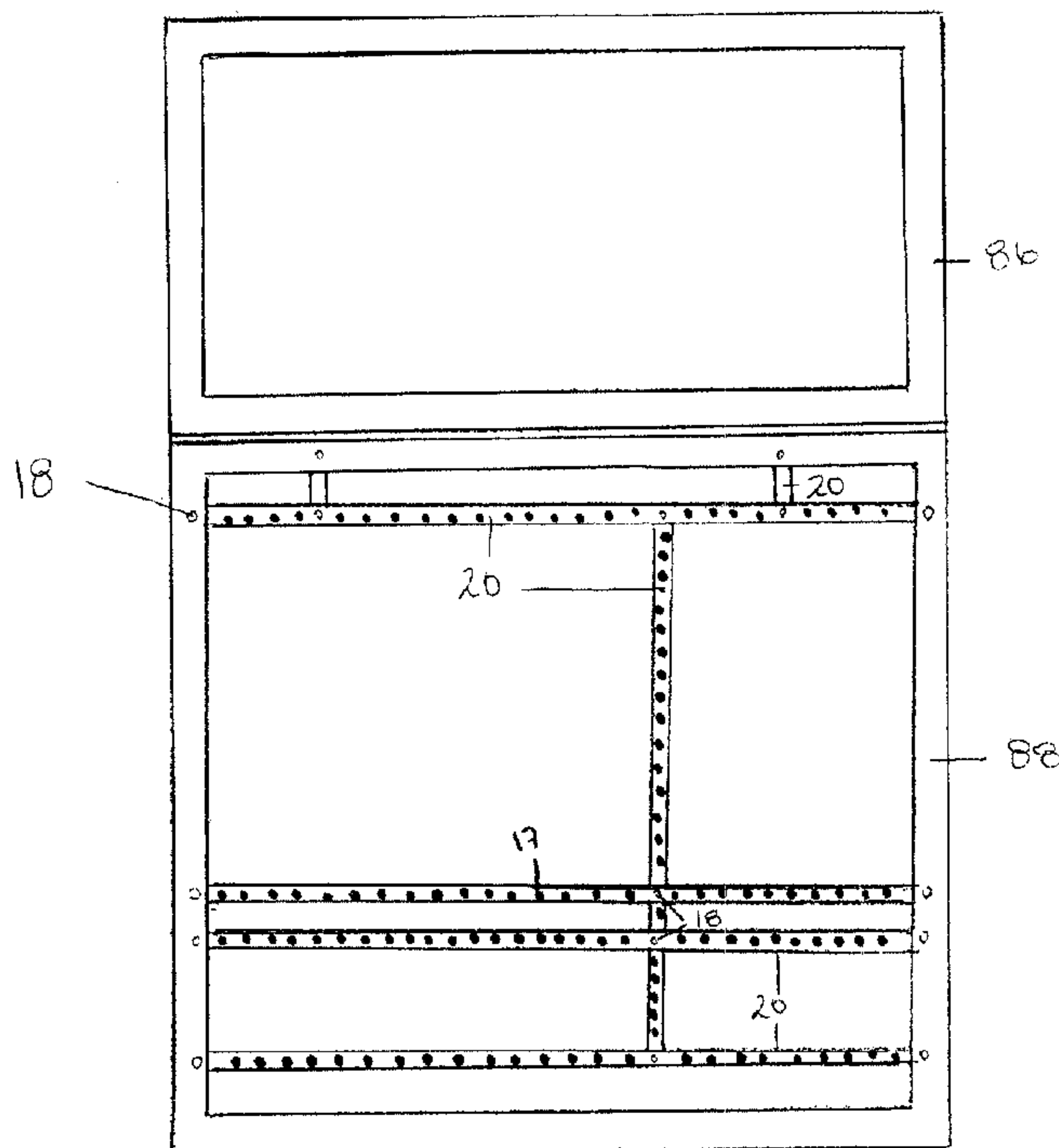




(22) Date de dépôt/Filing Date: 2002/01/28
(41) Mise à la disp. pub./Open to Public Insp.: 2002/07/26
(30) Priorité/Priority: 2001/01/26 (60/264,010) US

(51) Cl.Int.⁷/Int.Cl.⁷ E04H 1/12, H05K 5/02
(71) Demandeur/Applicant:
BOWRON, JULIAN, CA
(72) Inventeur/Inventor:
BOWRON, JULIAN, CA
(74) Agent: RIDOUT & MAYBEE LLP

(54) Titre : KIOSQUE MODULAIRE
(54) Title: MODULAR KIOSK



(57) Abrégé/Abstract:

An automated kiosk has (a) a cabinet; (b) a face frame releasably securable to the cabinet; (c) a plurality of cross members secured to the face frame; and (d) a plurality of hardware components releasably secured to the cross members. The hardware components may be sized and configured such that they project substantially directly inward into the cabinet when the face frame is secured to the cabinet. A method of modifying a kiosk of the invention, comprises (a) removing a hardware component or a faceplate from the kiosk; (b) repositioning a cross member on the kiosk; and (c) installing a new hardware component on the kiosk. A method of constructing a kiosk of the invention comprises (a) assembling a cabinet to a face frame; (b) receiving an order which designates the hardware components required for the kiosk; (c) securing a plurality of cross members to the face frame in a configuration suitable for receiving the designated hardware components; and (d) securing the designated hardware components to the cross members.

MODULAR KIOSK

ABSTRACT

An automated kiosk has (a) a cabinet; (b) a face frame releasably securable to the cabinet; (c) a plurality of cross members secured to the face frame; and (d) a plurality of hardware components releasably secured to the cross members. The hardware components may be sized and configured such that they project substantially directly inward into the cabinet when the face frame is secured to the cabinet. A method of modifying a kiosk of the invention, comprises (a) removing a hardware component or a faceplate from the kiosk; (b) repositioning a cross member on the kiosk; and (c) installing a new hardware component on the kiosk. A method of constructing a kiosk of the invention comprises (a) assembling a cabinet to a face frame; (b) receiving an order which designates the hardware components required for the kiosk; (c) securing a plurality of cross members to the face frame in a configuration suitable for receiving the designated hardware components; and (d) securing the designated hardware components to the cross members.

MODULAR KIOSK

CROSS-REFERENCE

5 This patent claims priority from US provisional application no. 60/264,010 filed January 26, 2001, entitled Modular Kiosk.

FIELD OF THE INVENTION

10 The present invention relates to the field of automated kiosks.

BACKGROUND OF THE INVENTION

15 Electronic kiosks are devices which consist of two groups of parts, namely (1) electronic hardware components and (2) a housing for the components.

20 With respect to the hardware, the programmability of digital computers means that a system consisting of a monitor, with a pointing device such as a touchscreen or a touch pad and/or keyboard, and a computer (CPU), can perform a variety of functions. If the basic system is expanded by adding a printer, camera, speakers, a microphone, card readers, or other peripherals, and is connected to remote information sources by wire or wireless means, it can perform a wider variety of tasks, including e-mail, videoconferencing and database access.

25 The purpose of the kiosk housing is to prevent access or damage to fragile components, to draw attention the device, and to protect sensitive components from environmental elements, thereby making it feasible to provide the equipment contained therein to the public for their use in an unsupervised setting. Access to the internal components of the housing is necessary

to provide maintenance and to replenish consumable supplies, such as paper. Thus, protection of the hardware components must be ensured, while allowing access to the housing for servicing.

5 Kiosks are designed for specific uses. The housing is provided with mountings for the required internal components, fascia for the projection of devices such as monitors, and apertures for the introduction and removal of credit cards or the issue of printed material or cash.

10 Some kiosks currently available and others as described in patents may have certain modular aspects. U.S. patent no. 5,702,166 to Lee describes a collection of kiosks for multiple users, each kiosk designed so that they may be connected to other kiosks in an octagon-like structure. U.S. patent no. 5,761,071 to Bernstein et al. depicts a kiosk containing a computer arrangement, with the video display, CPU, keyboard and mouse connected by wiring.

15 A limitation of the prior art kiosks is that the selection of components utilized within the kiosk must be defined prior to design and fabrication of the kiosk housing. Furthermore, once the kiosk housing has been fabricated, it is not possible to change the selection of components or the relative size and shape of components without rebuilding or significantly altering the
20 housing by cutting, grinding or re-machining. It is expensive and time consuming to design and build kiosks due to the need to create a new design for the kiosk housing each time a new set of hardware components or functions are required.

25 Another limitation of kiosks of the prior art is the inaccessibility of the internal hardware components for servicing. It is desirable that kiosks, which are normally located in busy areas, are as compact as possible. However, positioning a number of hardware components in a compact enclosure creates problems for servicing. U.S. patent no. 6,010,065 to Ramachandran et al. teaches one means to address this problem, using a service door on the kiosk and a rollout tray containing some of the serviceable components.

SUMMARY OF THE INVENTION

5 A kiosk housing has been invented which allows one to utilize a wide selection of different hardware components within one kiosk housing. This design allows the kiosk designer to select the desired components closer to the time that the kiosk is assembled. This new kiosk also allows one to readily change hardware components after the kiosk is in the field, without the need for cutting, grinding or re-machining.

10

The present invention also provides modular components supported on a service door, such that, upon opening the service door, the components are readily accessible for servicing (i.e. are no longer contained within the body of the kiosk, but are projecting from the inner face of the service door and thus are more readily accessible for servicing). The kiosk thus allows for
15 unprecedented clear access the internal hardware components for servicing.

15

The present invention teaches an automated kiosk comprising (a) a cabinet; (b) a face frame releasably securable to the cabinet; (c) a plurality of cross members secured to the face frame; and (d) a plurality of hardware components releasably secured to the cross members. The
20 hardware components may be sized and configured such that they project substantially directly inward into the cabinet when the face frame is secured to the cabinet.

20

25

In an embodiment, the edge of the face frame may be hinged to a corresponding edge of the cabinet. The cross members may be releasably secured to the face frame. At least one of the
25 cross members may be releasably securable in a plurality of configurations in relation to the face frame. At least one of the plurality of cross members may be secured to at least one of the plurality of hardware components indirectly, such that at least one of the plurality of cross members is secured to a faceplate and the faceplate is secured to at least one of the plurality of hardware components.

One of the plurality of hardware components may be a keyboard, and the keyboard may be secured to the face frame indirectly by a keyboard housing, and the keyboard housing is secured to the face frame. The plurality of cross members may be secured to the face frame indirectly, such that the plurality of cross members is secured to a housing and the housing is secured to the face frame. There may be a plurality of housings secured to the face frame. The kiosk may have a faceplate on an upper portion of the face frame, the faceplate configured such that a top of the faceplate projects farther out from the face frame than a bottom of the faceplate.

10 The invention also teaches an automated kiosk comprising a cabinet, a front face frame, and a plurality of hardware components secured to the face frame. The kiosk may have a door in the kiosk, the door configured to allow access to the hardware components. The face frame may be the door.

15 In another embodiment, the hardware components may be secured to the face indirectly, such that the hardware components are secured to a plurality of cross members and the plurality of cross members is secured to the face frame. The hardware components may be sized and configured such that they project substantially directly inward into the cabinet when the face frame is secured to the cabinet. At least one of the cross members may be releasably securable in a plurality of configurations in relation to the face frame. In another embodiment, at least one of the plurality of cross members may be secured to at least one of the plurality of hardware components indirectly, such that at least one of the plurality of cross members is secured to a faceplate and the faceplate is secured to at least one of the plurality of hardware components. The plurality of cross members may be secured to the face frame indirectly, wherein the plurality of cross members is secured to a housing and the housing is secured to the face frame.

The invention also teaches a method of modifying a kiosk of the invention, comprising the steps of (a) removing a hardware component or a faceplate from the kiosk; (b) repositioning a cross member on the kiosk; and (c) installing a new hardware component on the kiosk.

The invention further teaches a method of constructing a kiosk of the invention comprising the steps of: (a) assembling a cabinet to a face frame; (b) receiving an order which designates the hardware components required for the kiosk; (c) securing a plurality of cross members to the face frame in a configuration suitable for receiving the designated hardware components; and
5 (d) securing the designated hardware components to the cross members.

BRIEF DESCRIPTION OF THE DRAWINGS

10 A better understanding of the invention will be had by now referring to the accompanying drawings in which:

FIG. 1 is a front perspective view illustrating a kiosk of the present invention with the front door open.

15 FIG. 2 is a front perspective view showing the internal configuration of a kiosk of FIG. 1 with the front door closed.

FIG. 3 is a front perspective view of a kiosk of the present invention.

FIG. 4 is a front perspective view of an alternative embodiment of a kiosk of the present invention.

20 FIG. 5 is a front perspective view of a further alternative embodiment of a kiosk of the present invention.

FIG. 6 is a front perspective view of a further alternative embodiment of a kiosk of the present invention.

FIG. 7 is a front view of a front face frame of a kiosk of the present invention.

25 FIG. 8 is a side view of a kiosk of the present invention.

FIG. 8A is a detail view of FIG. 8 at A.

FIG. 8B is a vertical sectional detail view of FIG. 8 at B or C.

FIG. 8C is a vertical sectional detail view of an alternate embodiment of FIG. 8 at B or C.

FIG. 8D is a vertical sectional detail view of FIG. 8 at D.

FIG. 8E is a vertical sectional detail view of FIG. 8 at E.

FIG. 8F is a vertical sectional detail view of FIG. 8 at 8F.

5 FIG. 8G is a horizontal sectional detail view of both left and right side of FIG. 8 at G.

FIG. 8H is a horizontal sectional detail view of an alternate embodiment of FIG. 8 at G.

DETAILED DESCRIPTION OF EMBODIMENTS

10 As used herein, "kiosk housing" refers to housing which allows user access to user interface portions of hardware components while preventing public access to fragile or removable portions of the components, thereby making it possible to provide the user interface equipment to the public for their use in an unsupervised or semi-supervised setting. Service access to the internal components of the housing is necessary to provide maintenance and to replenish
15 consumable supplies, such as paper.

As seen in FIG. 1, the kiosk housing 10 has a base cabinet 12. Fastened to cabinet 12 by a hinge 16 at one vertical edge, and fasteners 18 opposite, is face frame 14. Face frame 14 is, in turn, fastened to and supporting upper frame 86 and main frame 88. In an alternative
20 embodiment, as shown in FIG. 8H, the face frame may be integral to main frame 88.

As seen in FIG. 7, an arrangement of cross members 20 are fastened to main frame 88 and to other cross members 20 by fasteners 18. Cross members 20 and main frame 88 thus form a grid of fastening surfaces, with openings between of a variety of dimensions, to provide for the
25 mounting of faceplate elements. Cross members 20 are formed with a series of holes 17 running lengthwise along the cross members. Holes 17 are suitable for receiving fasteners 18. Providing the series of holes 17 facilitates reconfiguration of the cross members, allowing one to reconfigure the kiosk housing to receive different components using only simple hand tools. Faceplates 22 are fastened to cross members 20 (as seen in FIG. 8F), or main frame 88 (as

seen in FIG. 8C). As seen in FIG. 8F, faceplates 22 in turn support hardware components 24, configured for access by a user to user access portions of components 24 through the faceplate 22.

5 Projecting inward from door 28 on a substantially horizontal plane are the bodies (i.e. non-user access portions) of various hardware components which have portions that require access for the user. Shown in FIG. 1 are the housings for the portions of speakers 48, camera 46, paper roll and printer 58, video display screen 54, data ports 56, and card reader 52. Components which do not require direct user interface, such as computer unit 34, fire
10 suppression system 42, power supply 62, and UPS system 38 are secured within cabinet 12. The components are interconnected by wiring (not shown), and are secured to the door 28, as described above. Thus, the hardware components are independent components suitable for easy removal and replacement with like or different components, as desired.

15 With the cabinet 12 and face frame 14 hinged at one edge, the cabinet may be opened for servicing or the replacement of consumable materials, without requiring the disconnection of any of the components, by passing their respective conductors between the two halves of the cabinet in the vicinity of the hinge. The lock or fasteners are arranged to also provide compression of a seal which may be interposed between the edges of the rear and front
20 cabinets, in cases where a high degree of contaminant exclusion is required.

In the illustrated case in FIG. 1, face frame 14 is fastened to and supports upper frame 86. Upper frame 86, in turn, is fastened to and supports lighting 44 (seen in FIG. 1), and graphic panel 64 via cross member 20 and faceplate 22 forming a clamp for graphic panel 64 (best
25 seen in FIG. 8D). As an alternate method of fixing graphic panel 64, it may be fastened directly to upper frame 86, as shown in FIG. 8C. Graphic panel 64 is constructed of a semi-transparent material or the like, such as polycarbonate glazing, to allow light from lighting 44 to shine through, forming an upper backlit transparency housing.

30 As best seen in FIG. 8, upper frame 86 is configured to allow graphic panel 64 to tilt

downwards. This angle of presentation of the top (advertising) fascia allows a user to view the advertising while standing at the machine. Also seen in FIG. 8, the keyboard housing 72 is angled to project outwards to provide a more ergonomically useful keyboard surface.

5 Face frame 14 is also fastened to and supports main frame 88. Main frame 88, in turn, is fastened to and supports cross member 20. Cross members 20 and main frame 88, in turn, support faceplates 22 (best seen in FIG. 8F). Faceplates 22, in turn, support hardware components 24 (best seen in FIG. 8E). Main frame 88 is also fastened to and supports keyboard housing 72. Keyboard housing 72, in turn, contains keyboard 50, secured via a
10 faceplate system such as that shown in FIG. 8.

The assembly allows for the easy addition or removal of any face frame support element and their respective faceplates. In other embodiments the face frame 14 can be further subdivided according to the present method or any similar method which suits a similar set of housing
15 components.

As shown in FIG. 8F, cross members 20 may be flanged rigid bars forming a grid of fastening surfaces. In other embodiments, cross members 20 may be channels or tubes.

20 At the junction of upper frame 86 and main frame 88, these two frames are secured with fastener 18, with a gasket 29 located between the frames.

The assembly of face frame 14, main frame 88, upper frame 86, cross members 20, faceplates 22, and hardware components 24 constitute a modular door 28.

25

As seen in FIG. 2, the kiosk and its components are sized and configured such that, there is no interference between the front, user access door components, and the rear, cabinet installed, non-access components, nor is there interference between the walls 36 of cabinet 12 and the components secured to door 28, when the door 28 is closed.

In the embodiment shown in FIG. 1 and FIG 8G, modular door 28 is fastened to cabinet 12 with a hinge 16 at one edge, and fasteners 18 opposite. In other embodiments, door 28 may be secured to the cabinet by fasteners at all the edges. In other embodiments, hinge 16 may be located at a different edge, such as the top or bottom edge of the cabinet.

5

Faceplates 22 are generally flat and provide for the installation of components as described elsewhere. Such flat parts are easily fabricated by a variety of methods from any suitable sufficiently ridged material, without the need for tooling, or with simple tooling or with programmable machines.

10

Faceplates 22 are fastened by fasteners 18, such as studs, hooks, threaded bosses or some other arrangement on the rear surface of the faceplate 22. The securing and releasing portions (such as bolts 19) for fasteners 18 are only accessible at the rear surface of the face frame 14, which is only accessible when the cabinet is open. Any exposed portion of fastener 18 is configured to prevent tampering by using, for example, push-in studs as shown in FIG. 8E. Access to the interior of the kiosk housing 10 can be limited by the use of locks or security fasteners 18, to prevent removal of or tampering with internal hardware components by persons denied access to the necessary tools, keys, or pass cards, according to security arrangements.

20

A gasket 26 is interposed between the faceplates 22 and the support members 20, in order to provide a seal to prevent the entry of contaminants. Gasket 26 is constructed of a material and cross section which provides for spacing of the faceplates 22 relative to each other, allows for manufacturing tolerances, and provides a seal between the modular doors, various frames and the faceplates 22. This is achieved using a "T" section (as seen in FIG. 8F) and/or an "L" section (as seen in FIG. 8E), as appropriate, and incorporating intermediate parts, which correspond to the divisions of the cabinet face. A ribbed gasket may also be used to provide multiple seals within one length of gasket. Gasket 26 may comprise one large unibody gasket, or multiple smaller gaskets.

30

A gasket 27 is also located between face frame 14 and frames 86, 88 and/ or 90.

The kiosk shown in FIG. 1 further has a vent and air filter 40 to provide for internal cooling while excluding dust particles and other environmental elements.

5

The kiosk also has a phone 30, which may be configured as a pay telephone, or as a direct access phone to, for example, a user assistance line or a taxi company.

The kiosk of FIG. 1 has also been provided with a cap 32 which can have multiple functions.

10

Cap 32 protects the kiosk and shelters the kiosk user from rain, snow, sunlight and other environmental elements. Cap 32 can contain a fan (not shown) to facilitate air flow through the kiosk for cooling internal elements, or lighting for the face of the kiosk. In another

embodiment of the kiosk, as shown in FIG. 3, the cap 32 can include a top display 80, which may be used for advertising, lighting, or user instruction. The cap could also be manufactured to allow for natural light to pass through and illuminate the kiosk.

15

FIG. 1 also shows fire suppression system 42, which integrates a smoke or heat detector with a cooling or extinguishing apparatus such as inert gas or dry chemical for extinguishing any fire caused by internal malfunction.

20

Examples of various embodiments of the kiosks are depicted in FIG. 3, 4, 5, and 5. All such configurations are easily constructed and may be subsequently reconfigured using the same underlying kiosk housing system described herein. Thus, the present invention provides for the selection by the end user of any subset of any components, and provides for the

25

accommodation of still others not shown. Components that may be used as desired include printer 58, printer output 68, camera 46, speakers 48, card readers 52, keyboard 50, screen 54, data ports 56, touch pad 60, keypad 76, instruction panel 66, data ports 56, lockable maintenance port 70, as well as components not shown, such as a microphone, a mouse, key pad, track ball, and other peripherals, such as those set out in Table 1. The screen 54 can be

standard, resistive touch or surface acoustic wave touch. The card reader can be a push/pull magnetic strip reader or a power loader. The camera may come equipped with a vandal shutter. The components can be connected to remote information sources by wire or wireless means. The kiosks of the invention can thus be designed to perform a wide variety of tasks, including e-mail, videoconferencing and database access. This allows the same set of housing components to accommodate hardware permitting an extremely broad range of applications, including those contemplated in Table 2 and a wide range of functions, including those contemplated in Table 3.

10 When installed, kiosk housing 10 may be mounted directly to a vertical surface, or to a support frame 82 which is in turn fastened to the vertical surface, as shown in FIG. 8. As shown in FIG. 5, with little modification, kiosk housing 10 may also be constructed so as to extend to the ground on a free standing support stand 78. As shown in FIG. 6, kiosk housing 10 may be supported against a wall and also extent to the ground, via a lower frame 90. In 15 this embodiment, lower frame 90 is suitable for housing computer unit 34, UPS system 38, and any other components not requiring user interface.

The invention described herein may provide all or some of the following benefits.

20 Firstly, for manufacturing, the rear housing, face frame and faceplate elements can be manufactured prior to the receipt of an order for a specific configuration and assembled in the requested configuration immediately prior to shipment. This reduces the time necessary to customize the configuration.

25 Secondly, the cost and time necessary to create and test new kiosk designs is severely reduced, allowing for more unique customized configurations, and allowing small orders to be filled.

The hardware components can be removed and replaced in the field with different sized

components, or with a completely different manner of components, with minimal cost and mechanical work. The kiosk no longer has to be removed and returned to the supplier for major machining such as cutting, drilling, tapping, or otherwise altering the mountings necessary to remove a device and replace it with one having a different physical configuration.

5 Such work can be occasioned by obsolescence of the device, a change in intended use of the configuration or other reason. Thus the kiosk housing does not have to be replaced should a component require replacement for any reason, and so has a longer useful lifespan.

10 The mentioned benefits are achieved without reducing the ability of the enclosure to exclude contaminants by positioning of the gasket shown in FIG. 8 and 8A to 8H. Furthermore the interchangeable faceplates are provided with projecting studs, bosses or hooks which prevent removal of parts other than by a person with the ability to access the rear of the door, when the cabinet is open.

15 The present invention also provides modular components supported on a service door, such that, upon opening the service door, the components are readily accessible for servicing (i.e. are no longer contained within the body of the kiosk, but are projecting from the inner face of the service door and thus are more readily accessible for servicing).

20 The present invention thus provides modular fascia, each fascia attached to a corresponding modular component (e.g. monitor, keyboard, printer, card reader), with the components configured and sized to project inwards from its corresponding faceplate such that the components can be more readily removed and replaced with an updated component, a different component, or a faceplate without a component. This also allows for various
25 combinations of components to be readily installed in the basic unit, either at the time of manufacture or later.

The kiosk also resists tampering, the elements, and provides access for maintenance and the replenishment of consumable supplies.

Thus the present kiosk housing provides for a wider range of selection of hardware components without replacing the fascia of the kiosk housing. The present kiosk housing also allows for clear access to internal hardware components for servicing. The kiosk is also
5 lightweight, compact, easily movable, structurally rugged, and economical to manufacture. The kiosk provides a method of mounting the faceplate components to a housing in a manner which is tamper resistant. The kiosk provides a method of mounting the faceplate components to a housing in a manner which provides for protection from the elements.

10 The kiosk housing system may be used for many different purposes and many different hardware sets, without requiring re-design of the basic housing. The kiosk housing may be configured for its intended use at the time of its assembly. The kiosk housing may be altered subsequent to its assembly, without the need for re-working. The invention thus also teaches a fabrication method which can be applied to kiosk housings of different forms, utilizing the
15 principles described herein.

While the present invention has been illustrated and described in detail in the drawings and foregoing description, it should be recognized that other embodiments will be apparent to those skilled in the art. It is therefore intended that the following claims cover any such
20 embodiments as fall within the scope of the invention.

Table 1 - Modular Kiosk Component Examples

	Device	Options
1	17" Monitor	Flat
2	Touch screen overlay	SAW Technology
3	Large capacity high speed printer	Thermal, Roll Fed
4	Computer	P.C. in Compact Config.
5	Network device	On Board P.C.
6	UPS	
7	Fan	With Filter
8	Thermostatic switch	Thermistor
9	Refrigeration	Semiconductor Heat Pump
10	Heating	Above, Polarity Reversed
11	Back-lit graphic	Fluorescent Lamp Lit
12	USB Webcam	With Vandal Shutter
13	TTL handset	
14	Smart card reader/loader	Push/Pull or Power
15	Mag-stripe reader	Same
16	Wide bed color printer	Dye Sub.
17	Keyboard	Vandal Resistant
18	Pin Pad	Vandal Resistant
19	Bill acceptor	
20	Speakers	2
21	Audio Amplifier	
22	Microphone	
23	Remote Monitoring Device	RS 232
24	Fire Suppression System	Automatic
25	Data Ports	Telecom, Infrared, Serial
26	Pointing Device	Trackball, Touchpad

Table 2 - Examples of Component Subsets

Facility Type/ Kiosk Use	Large Graphic Panel	Main Display (CRT, LCD)	Additional Display	Touch Screen	Card Swipe or POS pad	Bill Acceptor	Keyboard	Thermal printer	Plain Paper or Colour Printer	Micro- phone	Camera	Speakers	Push Buttons	Tele- phone
Non-Reserved Ticketing, e.g. Theatre				STD	STD	OPT		STD						
Reserved Seat Ticketing, e.g. Theatre, Sports			OPT	STD	STD	OPT		STD						
Reserved Seat Ticketing, e.g. Travel			OPT	STD	STD	OPT	STD	STD	OPT					
Single Program Ticketing, e.g. Parking		STD			OPT	STD		STD					STD	
Facility Orientation, Utility e.g. Office	STD			STD			OPT							
Facility Orientation, ADA e.g. Institutional	STD			STD			OPT			OPT		STD		STD
Facility Orientation, ADA e.g. Mall	STD		STD	STD			OPT			OPT		STD		STD
Add - bridal registry, gift certificate, vending	STD		STD	STD	STD	STD	STD		STD	OPT		STD		STD
Photo Kiosk	STD	STD		OPT	STD	STD			STD	OPT	STD	OPT	STD	
E-mail Kiosk	STD			STD	STD	STD	STD		STD	OPT		OPT		
Product Information Kiosk				STD					OPT			OPT		
VR Game	STD	STD	STD		STD	STD			OPT		STD	STD	STD	

Legend : STD= standard

OPT= optional

Table 3 - Typical Functional Requirements

FUNCTION

- [•] Web Surfing
- [•] Database Search
- [•] Debit/Credit Card Payment
- [•] Smart Card Payment/Cross Load
- [•] Cash Payment
- [•] Receipt Printing
- [•] Page Printing
- [•] Phone Call
- [•] Video Conferencing
- [•] Photo Booth
- [•] E-mail
- [•] Audio Output
- [•] Speech Input
- [•] Remote Monitoring
- [•] Remote Device Control
- [•] Scrolling Ads
- [•] Temperature Control
- [•] Weather resistance
- [•] EMI

OPTIONS

- White listing
- Black listing
- "Canned"
- Large Memory (prob. remote),
Online updating
- Colour
- Black and White
- TTL
- Scanning
- Attachment Reading with Plug - ins
- Shut Down
- Boot
- Multiple Video Cards
- -40°C +55°C ambient or Surface
Temperature
- Condensing Humidity
- Rain, Driving Rain
- Blowing Snow
- Dust,
- Neither produces nor is affected by

WE CLAIM:

1. An automated kiosk comprising:

(a) a cabinet;

(b) a face frame releasably securable to said cabinet;

(c) a plurality of cross members secured to said face frame; and

(d) a plurality of hardware components releasably secured to said cross members.

2. A kiosk as claimed in claim 1, wherein said hardware components are sized and configured such that they project substantially directly inward into said cabinet when said face frame is secured to said cabinet.

3. A kiosk as claimed in any one of claims 1 to 2, wherein one edge of said face frame is hinged to a corresponding edge of said cabinet.

4. A kiosk as claimed in any one of claims 1 to 3, wherein said cross members are releasably secured to said face frame.

5. A kiosk as claimed in any one of claims 1 to 4, wherein at least one of said cross members is releasably securable in a plurality of configurations in relation to said face frame.

6. A kiosk as claimed in any one of claims 1 to 5, wherein at least one of said plurality of cross members is secured to at least one of said plurality of hardware components indirectly, such that said at least one of said plurality of cross members is secured to a faceplate and said faceplate is secured to said at least one of said plurality of hardware components.

7. A kiosk as claimed in any one of claims 1 to 6, wherein one of said plurality of hardware

components is a keyboard, and said keyboard is secured to said face frame indirectly by a keyboard housing, and said keyboard housing is secured to said face frame.

8. A kiosk as claimed in any one of claims 1 to 7, wherein said plurality of cross members is secured to said face frame indirectly, such that said plurality of cross members is secured to a housing and said housing is secured to said face frame.

9. A kiosk as claimed in claim 8, further comprising a plurality of housings secured to said face frame.

10. A kiosk as claimed in any one of claims 1 to 9, further comprising a faceplate on an upper portion of said face frame, said faceplate configured such that a top of said faceplate projects farther out from said face frame than a bottom of said faceplate.

11. An automated kiosk comprising a cabinet, a front face frame, and a plurality of hardware components secured to said face frame.

12. A kiosk as claimed in claim 11, further comprising a door in said kiosk, said door configured to allow access to said hardware components.

13. A kiosk as claimed in claim 12 wherein said face frame is said door.

14. A kiosk as claimed in any one of claims 11 to 13, wherein said hardware components are secured to said face indirectly, such that said hardware components are secured to a plurality of cross members and said plurality of cross members is secured to said face frame.

15. A kiosk as claimed in any one of claims 11 to 14, wherein said hardware components are sized and configured such that they project substantially directly inward into said cabinet when

said face frame is secured to said cabinet.

16. A kiosk as claimed in claim 14, wherein at least one of said cross members is releasably securable in a plurality of configurations in relation to said face frame.

17. A kiosk as claimed in claim 14 or 16, wherein at least one of said plurality of cross members is secured to at least one of said plurality of hardware components indirectly, such that at least one of said plurality of cross members is secured to a faceplate and said faceplate is secured to said at least one of said plurality of hardware components.

18. A kiosk as claimed in any one of claims 14, 16 or 17, wherein said plurality of cross members is secured to said face frame indirectly, wherein said plurality of cross members is secured to a housing and said housing is secured to said face frame.

19. A method of modifying a kiosk of any one of claims 1 to 18 comprising the steps of:

- (a) removing a hardware component or a faceplate from said kiosk;
- (b) repositioning a cross member on said kiosk; and
- (c) installing a new hardware component on said kiosk.

20. A method of constructing a kiosk of any one of claims 1 to 18 comprising the steps of:

- (a) assembling a cabinet to a face frame;
- (b) receiving an order which designates the hardware components required for said kiosk;
- (c) securing a plurality of cross members to said face frame in a configuration suitable for receiving said designated hardware components; and
- (d) securing said designated hardware components to said cross members.

Ridout & Maybee LLP
Suite 2400
One Queen Street East
Toronto, Canada M5C 3B1
Patent Agents of the Applicant

Application number/ Numéro de demande : 2369644

Documents of poor quality scanned
(request original documents in File Prep. Section on the 10th floor)

Documents de piètre qualité numérisés
(Pour obtenir les documents originaux, veuillez vous adresser à la Section de préparation
des dossiers, située au 10^e étage)

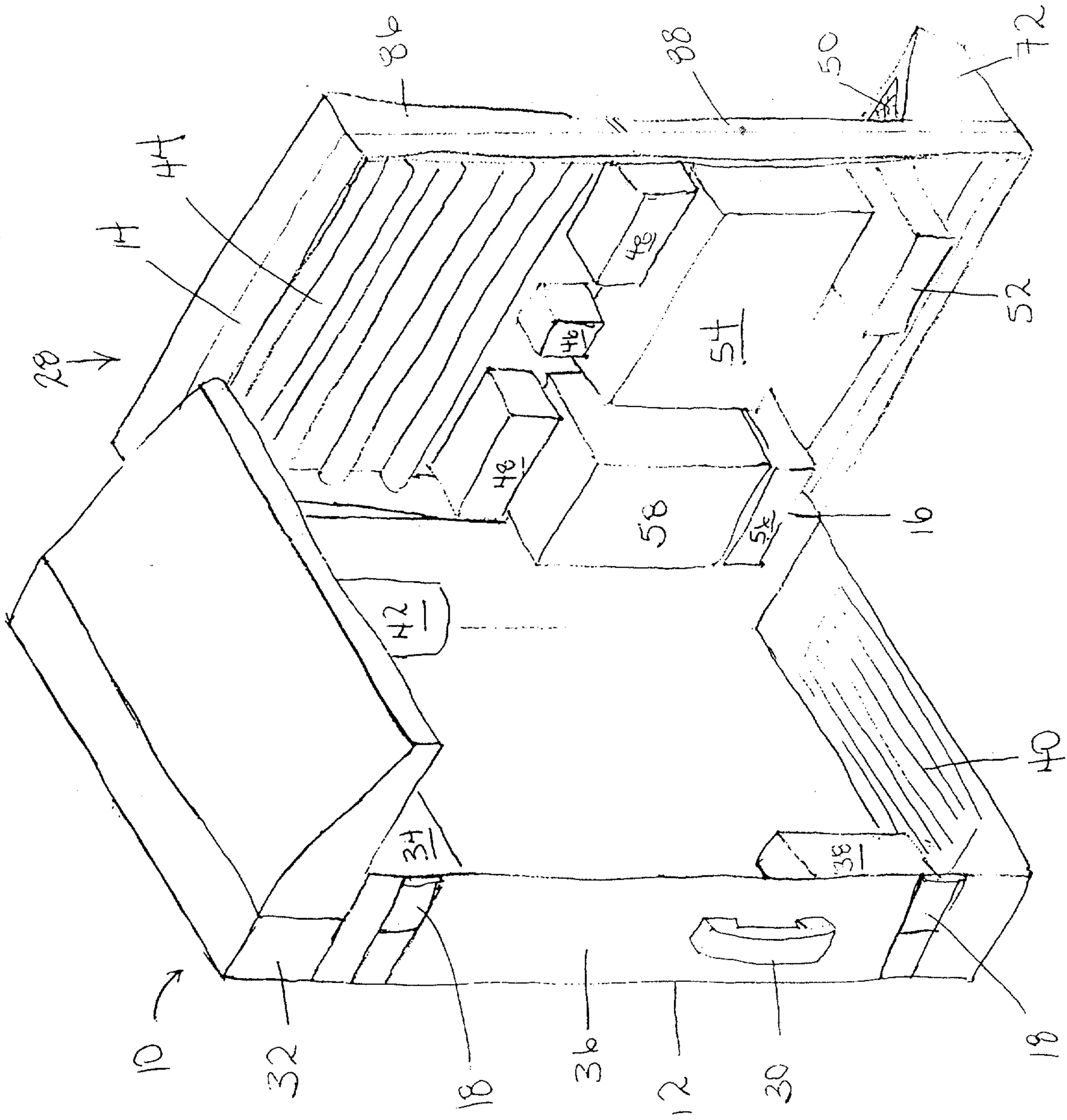


FIG. 1

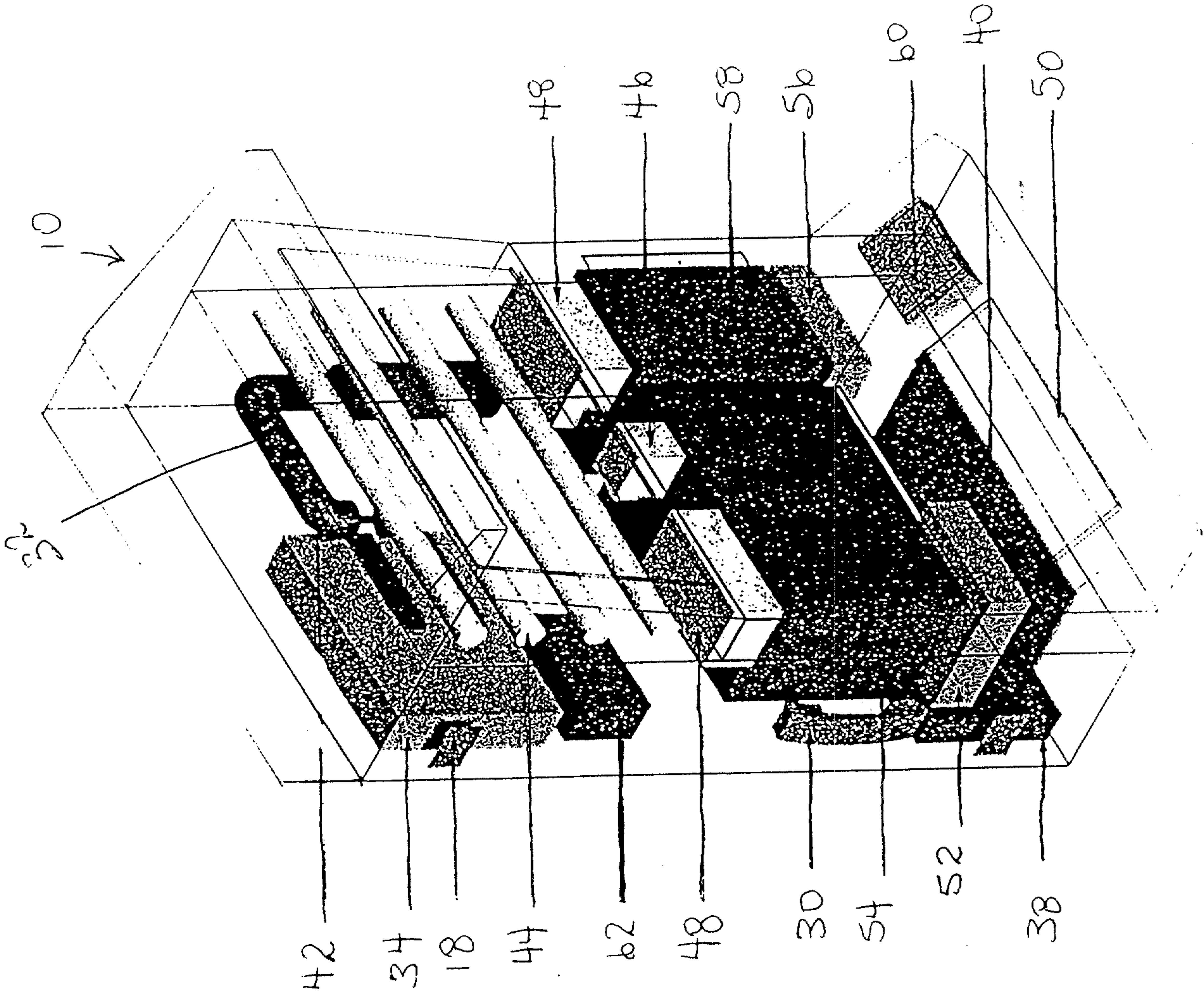


FIG. 2

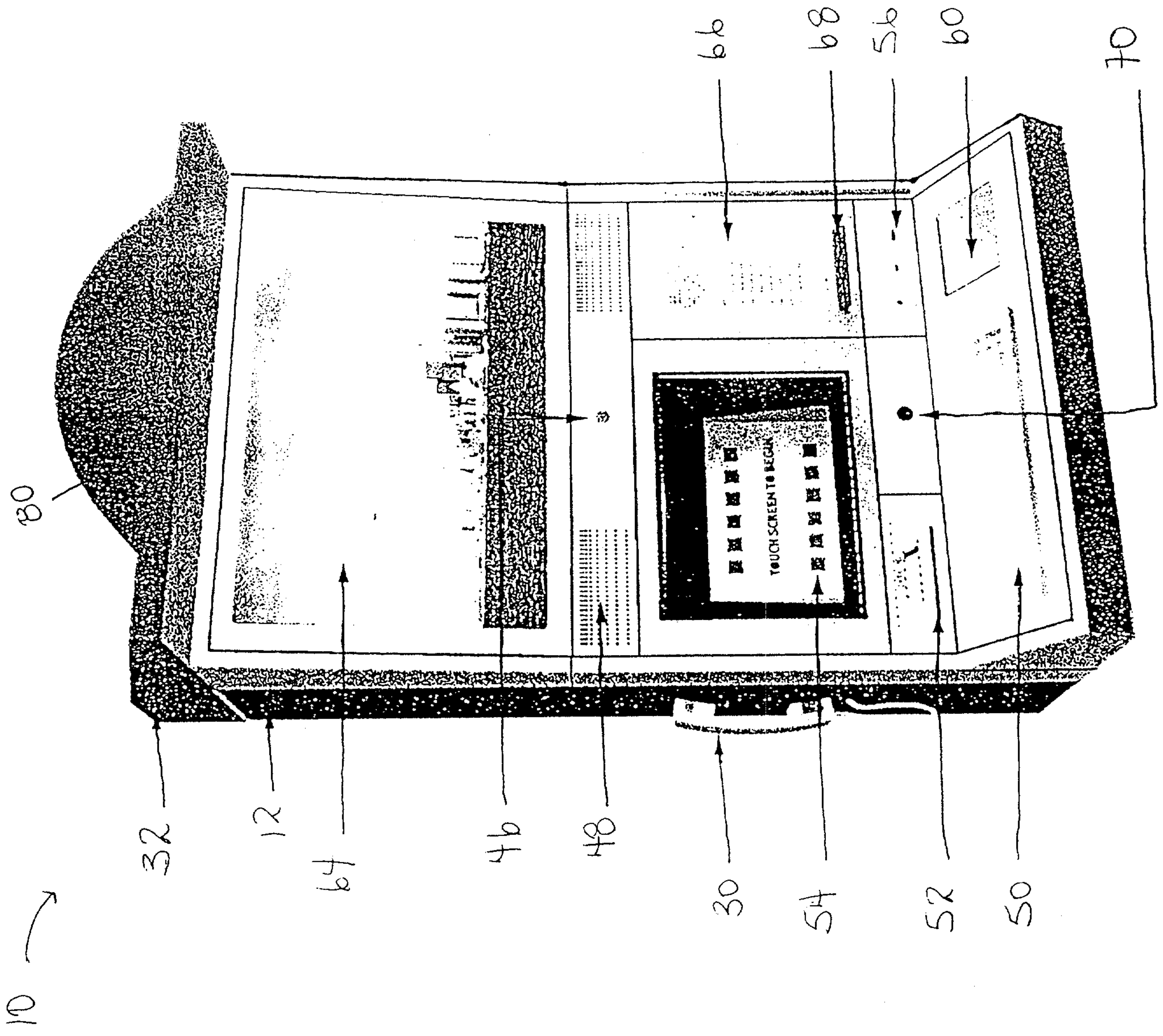
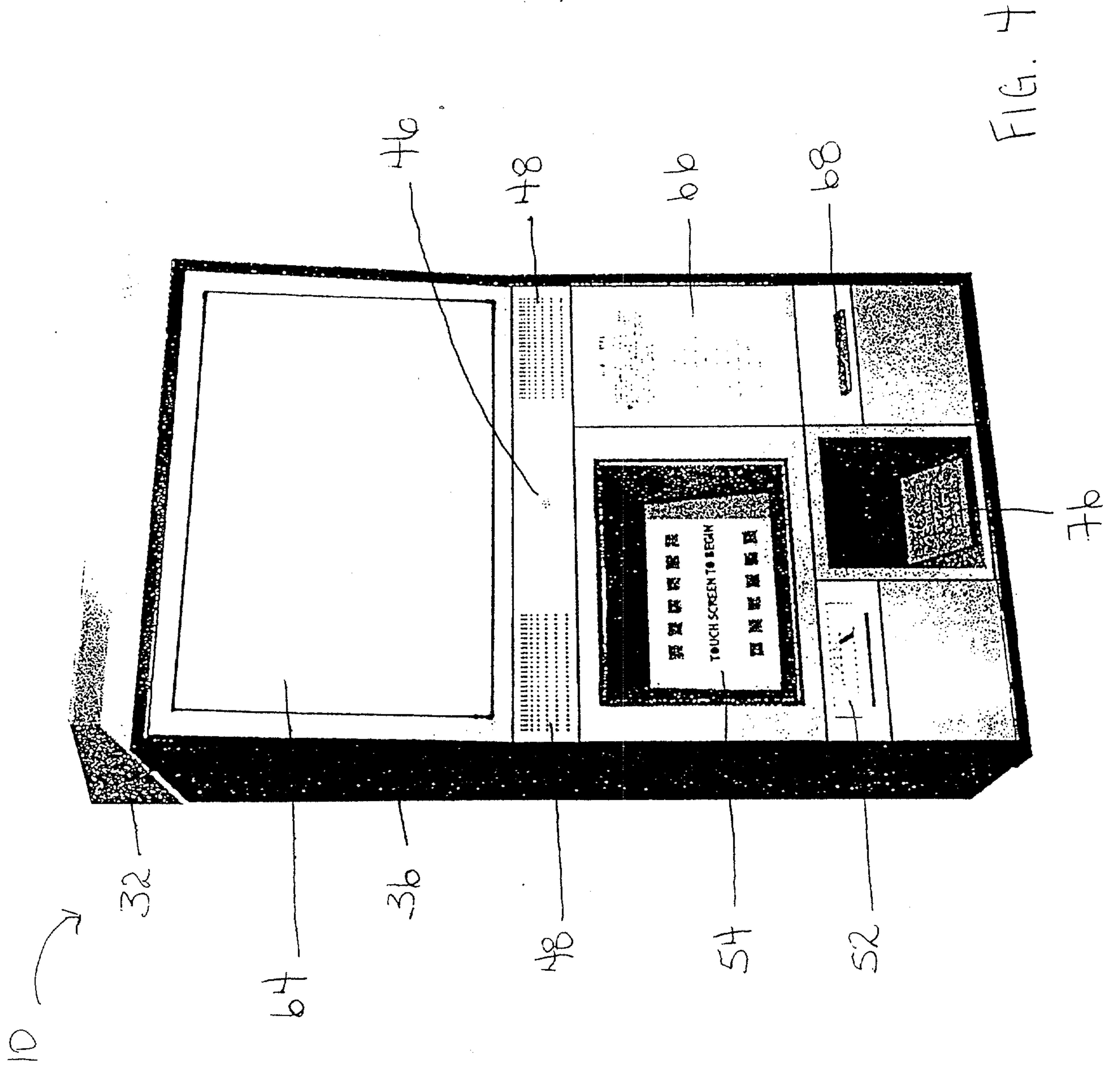


FIG. 3



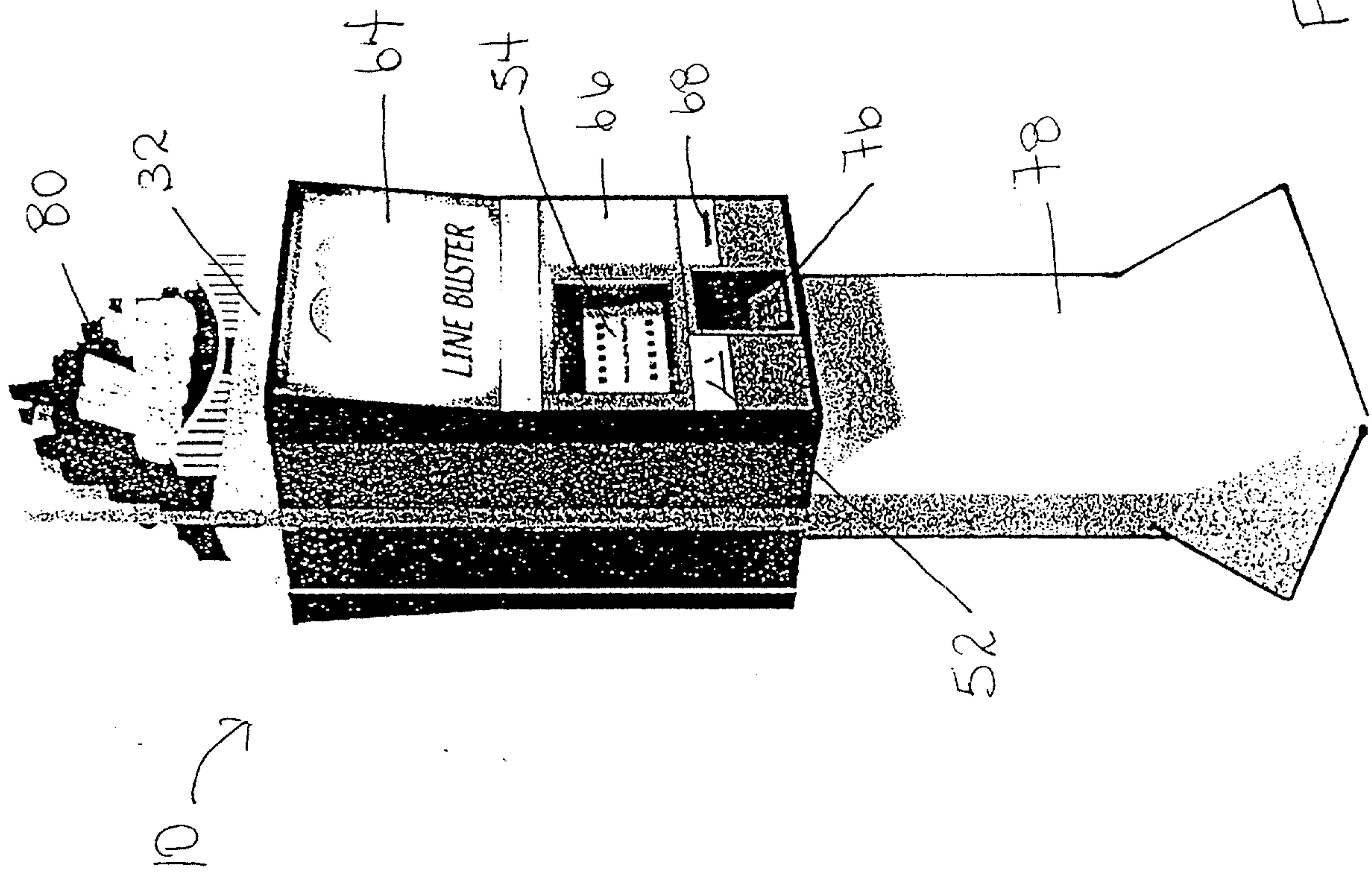


FIG. 5

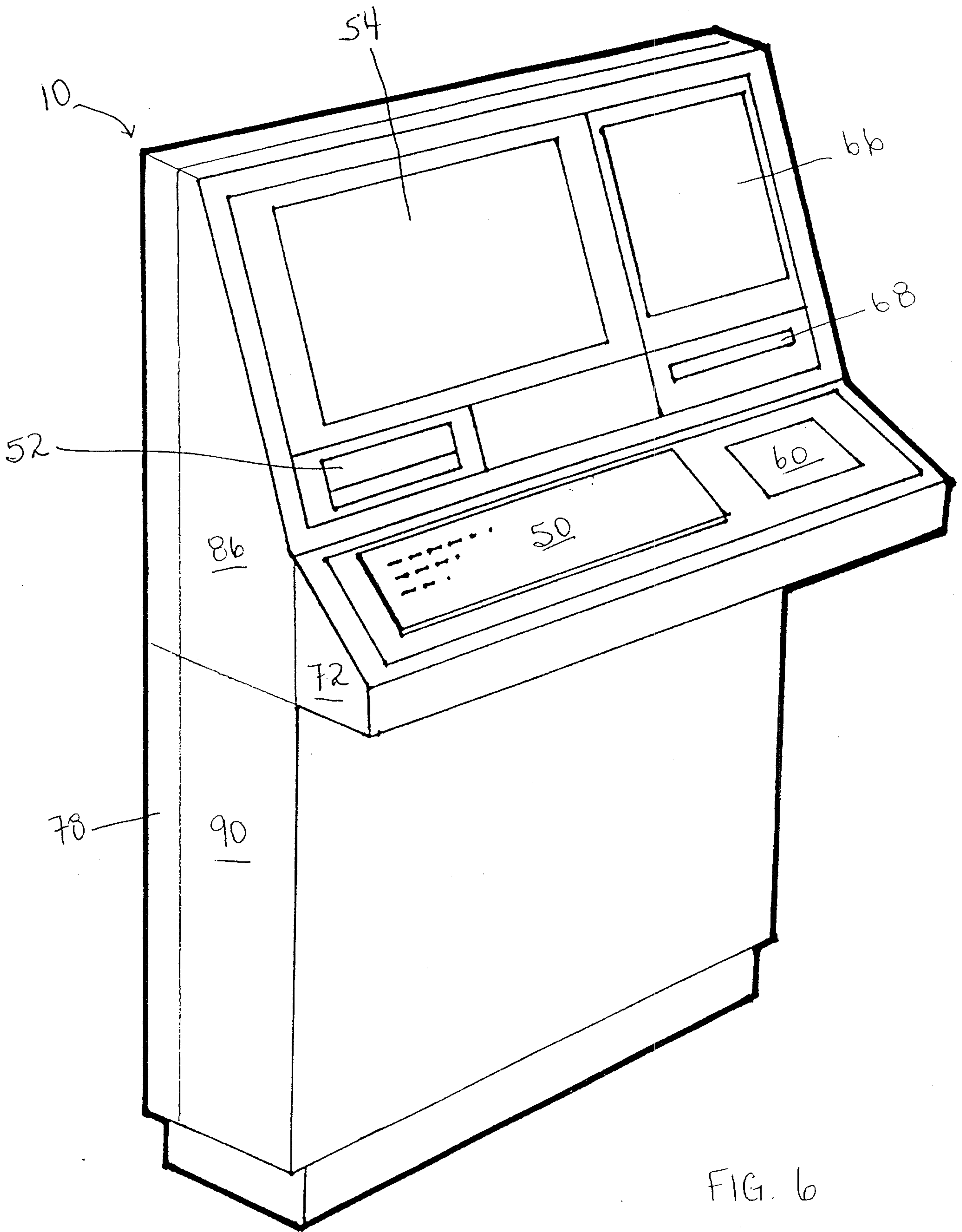


FIG. 6

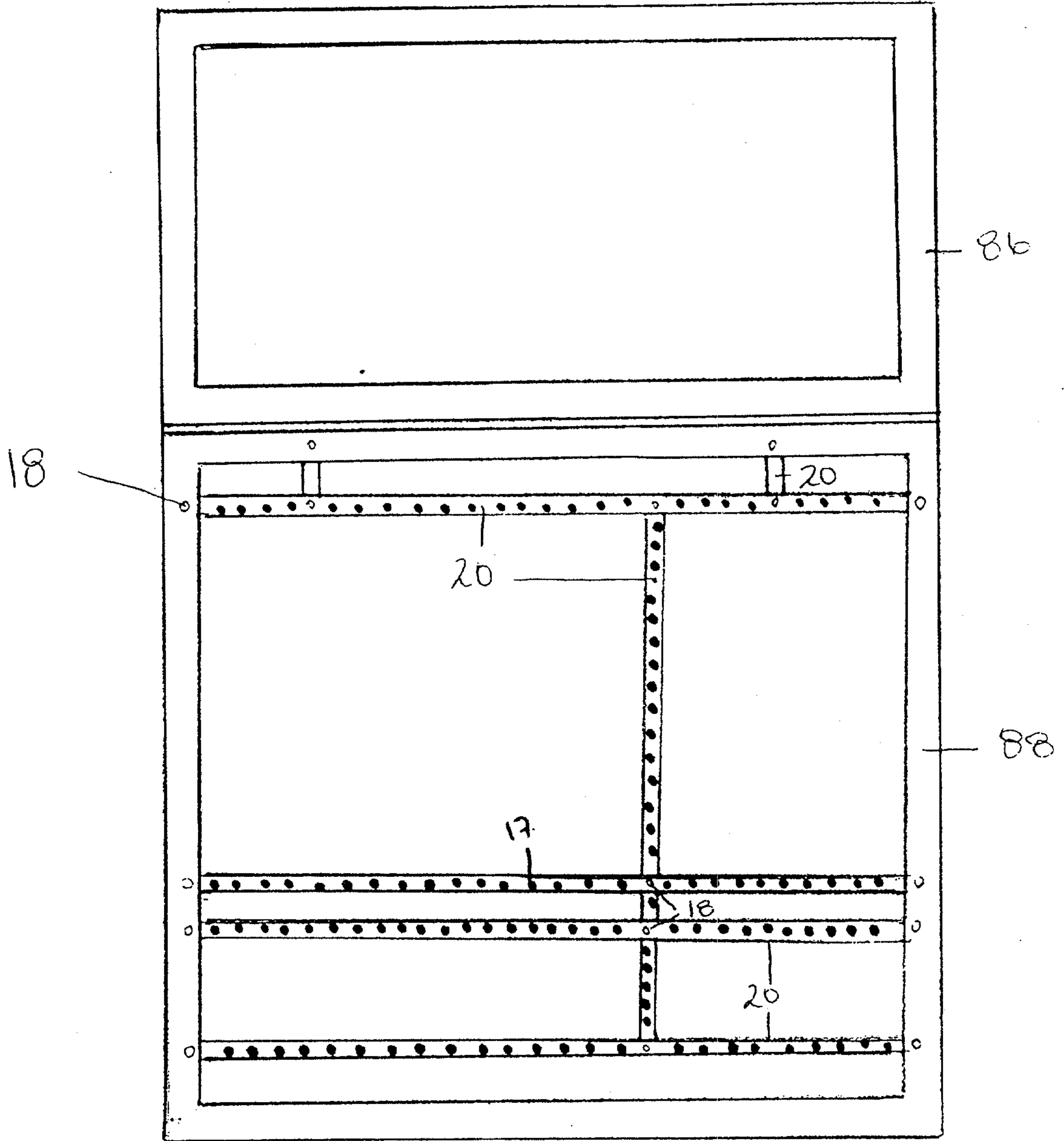


FIG. 7

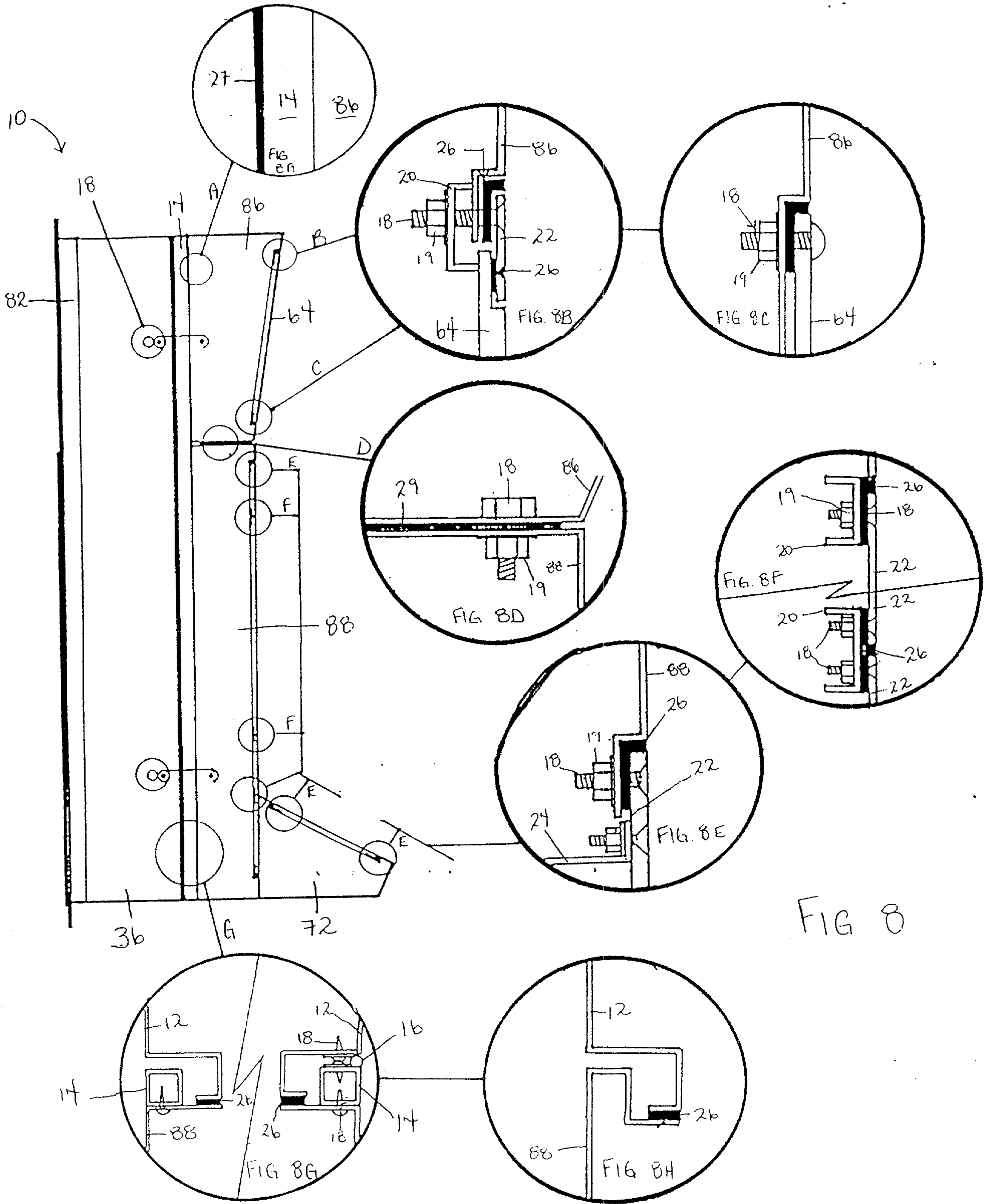
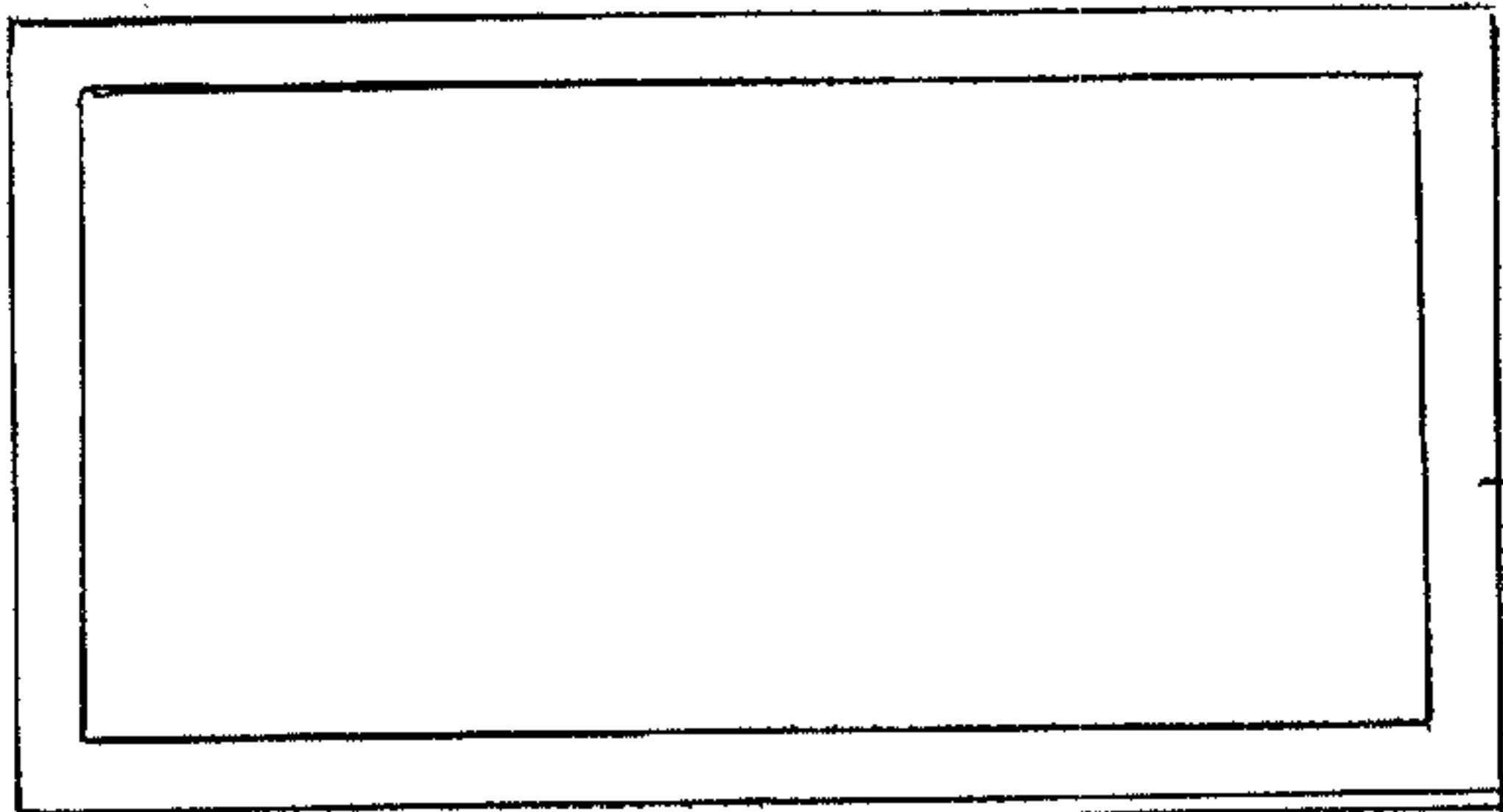
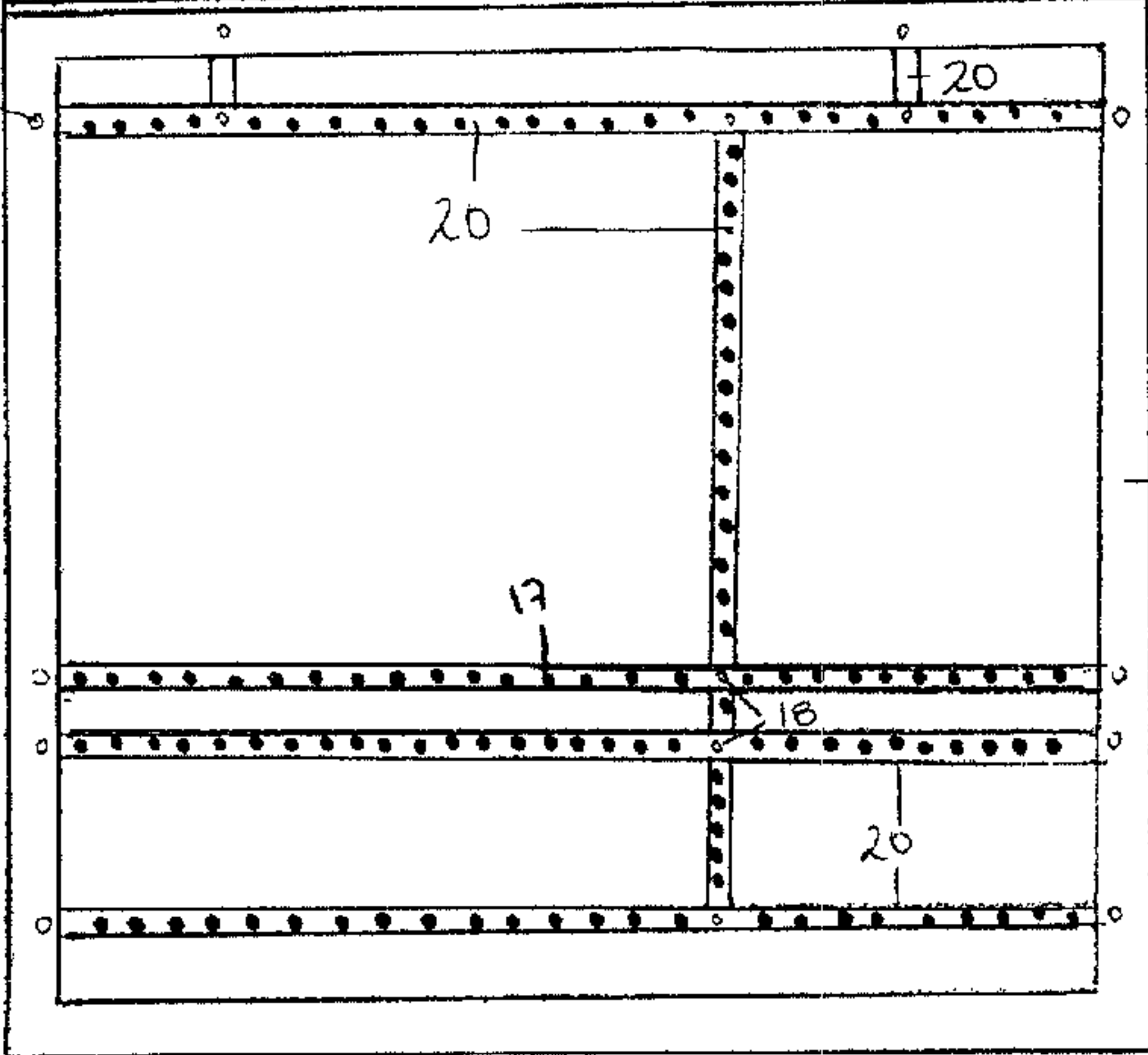


FIG 8



86

18



88