



US00D575172S

(12) **United States Design Patent**
Yuan

(10) **Patent No.:** **US D575,172 S**

(45) **Date of Patent:** **** Aug. 19, 2008**

(54) **COVER FOR A PORTABLE GLOBAL POSITIONING SYSTEM**

Primary Examiner—Antoine D Davis
(74) *Attorney, Agent, or Firm*—Boniard I. Brown

(76) Inventor: **Victor Yuan**, 128 W. Chestnut Ave.,
Monrovia, CA (US) 91016

(57) **CLAIM**

(**) Term: **14 Years**

The ornamental design for a cover for a portable global positioning system, as shown and described.

(21) Appl. No.: **29/292,776**

(22) Filed: **Oct. 29, 2007**

(51) **LOC (8) Cl.** **10-04**

DESCRIPTION

(52) **U.S. Cl.** **D10/65**

(58) **Field of Classification Search** D10/65;
D14/347; 342/351, 419, 457, 357.06–357.13;
343/702; 345/87, 104, 133, 156, 168, 173,
345/901–905; 348/180, 184, 315, 739, E50.97,
348/E50.99; 364/444, 499; 701/206–209,
701/213–214, 22, 117, 118, 200, 211, 848;
180/65.2, 65.4; 340/989, 988

See application file for complete search history.

FIG. 1 is a frontal perspective view of a cover for a portable global positioning system, showing my new design;

FIG. 2 is a top plan view of FIG. 1;

FIG. 3 is a front elevational view of FIG. 1;

FIG. 4 is a rear elevational view of FIG. 1;

FIG. 5 is a left side elevational view of FIG. 1;

FIG. 6 is a right side elevational view of FIG. 1; and,

FIG. 7 is a bottom plan view of FIG. 1.

The broken line showings in all figures is for illustrative purposes only and forms no part of the claimed design.

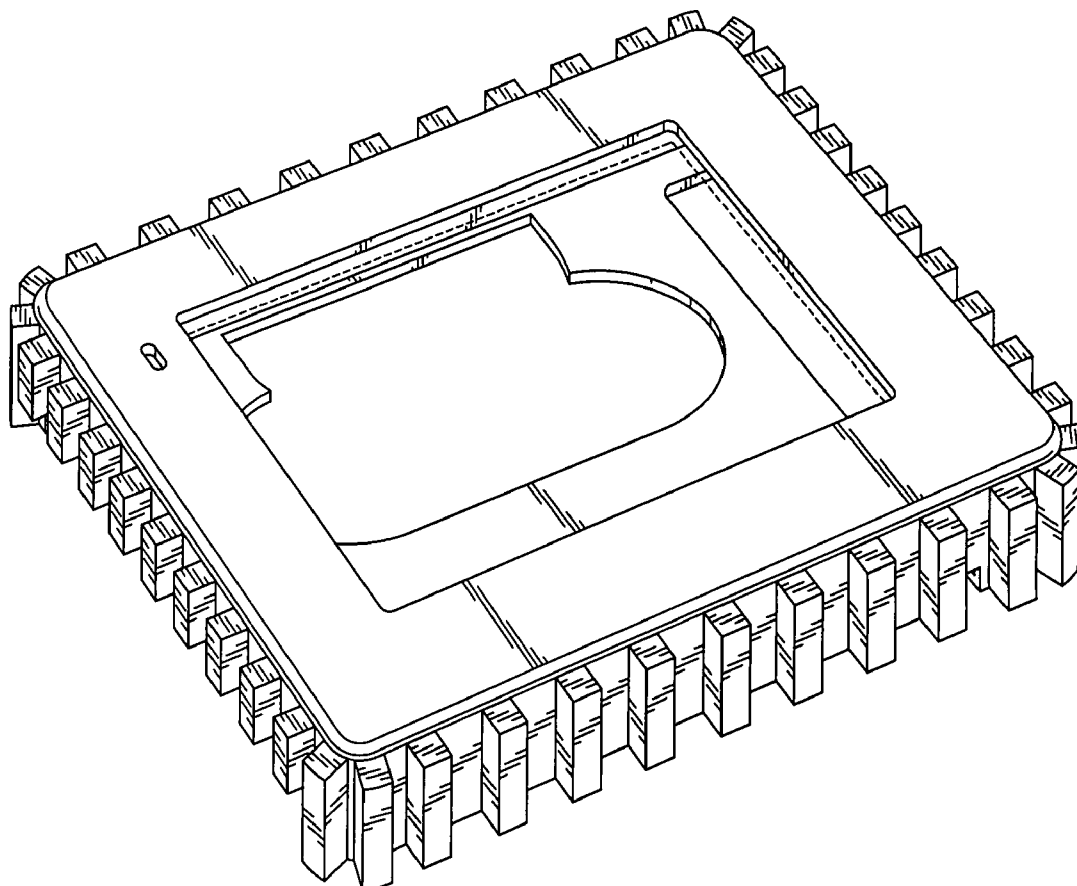
(56) **References Cited**

U.S. PATENT DOCUMENTS

D396,423 S * 7/1998 Ishii D10/65

* cited by examiner

1 Claim, 3 Drawing Sheets



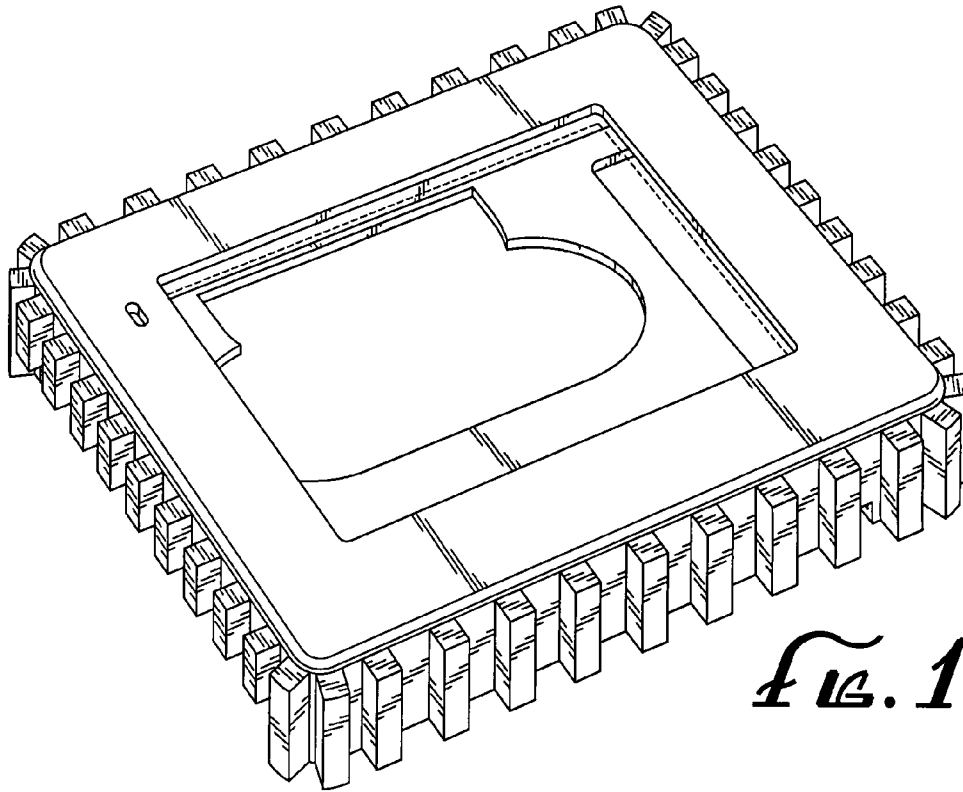


FIG. 1

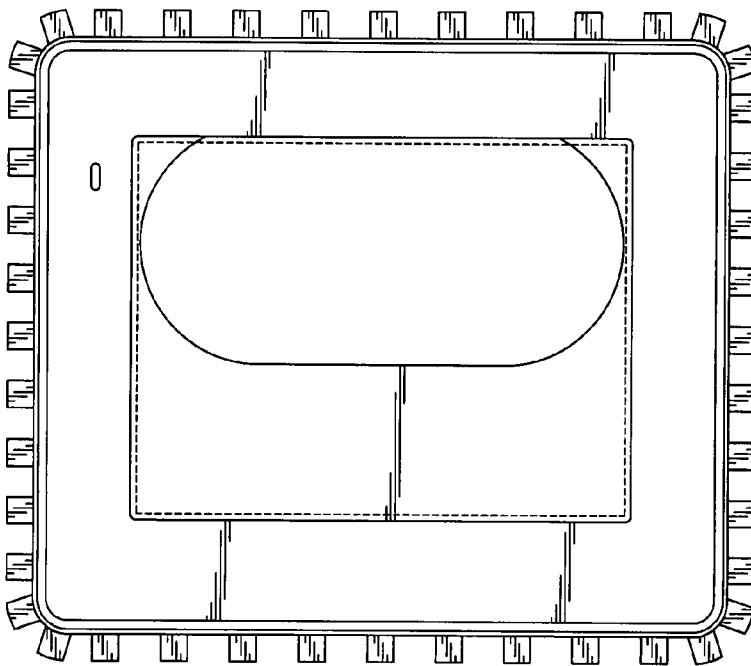


FIG. 2

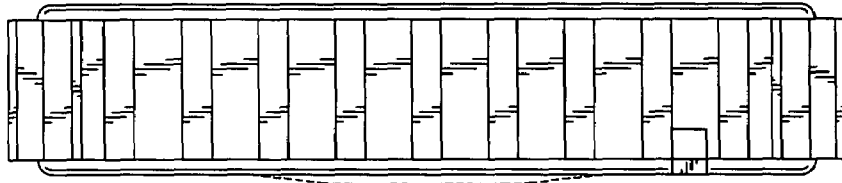


FIG. 3

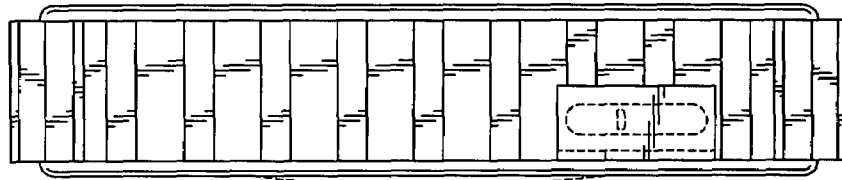


FIG. 4

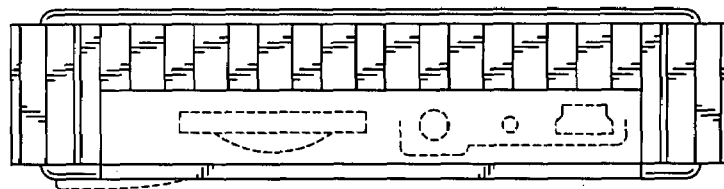


FIG. 5

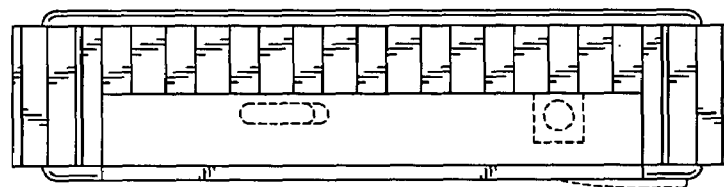


FIG. 6

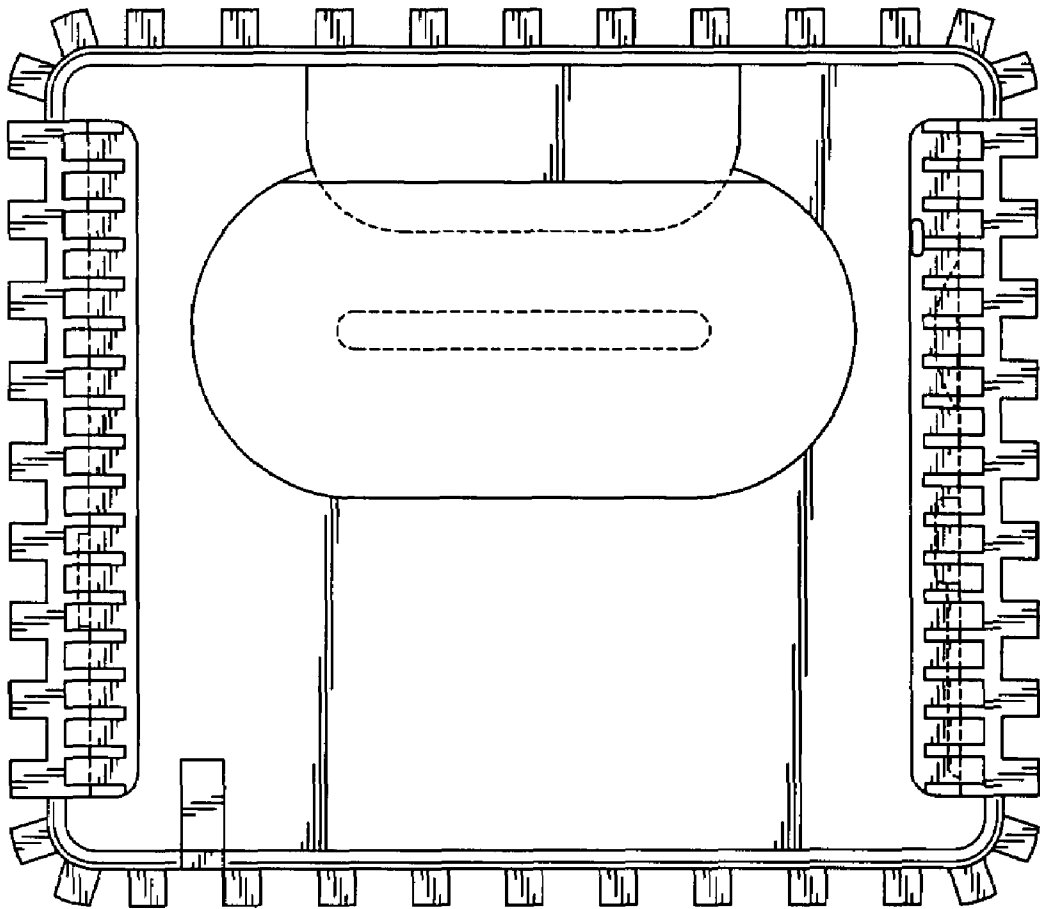


FIG. 7