

(19) World Intellectual Property Organization
International Bureau



(43) International Publication Date
18 October 2007 (18.10.2007)

PCT

(10) International Publication Number
WO 2007/117585 A3

(51) International Patent Classification:
G06F 12/14 (2006.01) G06F 21/00 (2006.01)

(74) Agent: DORTENZO, Megan; Thompson Hine LLP, P.O. Box 8801, Dayton, OH 45401-8801 (US).

(21) International Application Number:
PCT/US2007/008553

(81) Designated States (unless otherwise indicated, for every kind of national protection available): AE, AG, AL, AM, AT, AU, AZ, BA, BB, BG, BH, BR, BW, BY, BZ, CA, CH, CN, CO, CR, CU, CZ, DE, DK, DM, DZ, EC, EE, EG, ES, FI, GB, GD, GE, GH, GM, GT, HN, HR, HU, ID, IL, IN, IS, JP, KE, KG, KM, KN, KP, KR, KZ, LA, LC, LK, LR, LS, LT, LU, LY, MA, MD, MG, MK, MN, MW, MX, MY, MZ, NA, NG, NI, NO, NZ, OM, PG, PH, PL, PT, RO, RS, RU, SC, SD, SE, SG, SK, SL, SM, SV, SY, TJ, TM, TN, TR, TT, TZ, UA, UG, US, UZ, VC, VN, ZA, ZM, ZW.

(22) International Filing Date: 6 April 2007 (06.04.2007)

(25) Filing Language: English

(26) Publication Language: English

(30) Priority Data:
60/789,766 6 April 2006 (06.04.2006) US
60/789,748 6 April 2006 (06.04.2006) US
60/789,749 6 April 2006 (06.04.2006) US
60/789,746 6 April 2006 (06.04.2006) US
60/789,744 6 April 2006 (06.04.2006) US
60/789,745 6 April 2006 (06.04.2006) US
60/789,743 6 April 2006 (06.04.2006) US
60/789,958 6 April 2006 (06.04.2006) US
60/824,649 6 September 2006 (06.09.2006) US
60/828,491 6 October 2006 (06.10.2006) US

(84) Designated States (unless otherwise indicated, for every kind of regional protection available): ARIPO (BW, GH, GM, KE, LS, MW, MZ, NA, SD, SL, SZ, TZ, UG, ZM, ZW), Eurasian (AM, AZ, BY, KG, KZ, MD, RU, TJ, TM), European (AT, BE, BG, CH, CY, CZ, DE, DK, EE, ES, FI, FR, GB, GR, HU, IE, IS, IT, LT, LU, LV, MC, MT, NL, PL, PT, RO, SE, SI, SK, TR), OAPI (BF, BJ, CF, CG, CI, CM, GA, GN, GQ, GW, ML, MR, NE, SN, TD, TG).

(71) Applicant (for all designated States except US): SMOBILE SYSTEMS INC. [US/US]; 2020 Leonard Avenue, Columbus, OH 43220 (US).

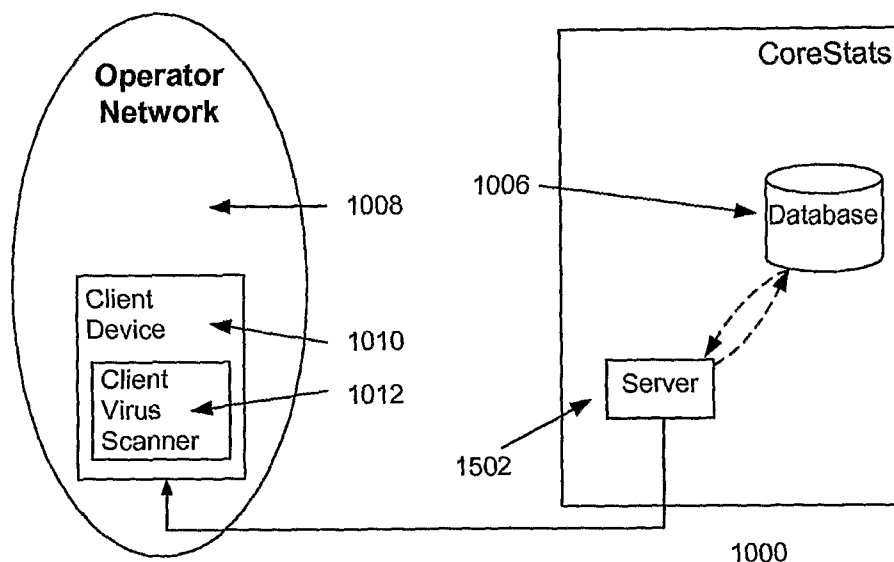
Published:
— with international search report
— before the expiration of the time limit for amending the claims and to be republished in the event of receipt of amendments

(72) Inventors; and

(75) Inventors/Applicants (for US only): TUVELL, George [US/US]; 6478 Bromfield Drive, Westerville, OH 43082 (US). BHARDWAJ, Shantaru [IN/US]; 3954 Easton Square Place, Columbus, OH 43219 (US).

(88) Date of publication of the international search report:
15 May 2008

(54) Title: SYSTEM AND METHOD FOR MANAGING MALWARE PROTECTION ON MOBILE DEVICES



(57) Abstract: A system and method for providing malware protection on client mobile platforms (1010) in a mobile network. The system and method manages the malware scanning agents (1012) of the client mobile platforms from a management server (1502) using a device independent secure management protocol. The management server (1502) downloads new malware definition to client mobile platforms (1010) and remotely initiates malware scanning on the client mobile platforms (1010).

WO 2007/117585 A3

INTERNATIONAL SEARCH REPORT

International application No.

PCT/US07/08553

A. CLASSIFICATION OF SUBJECT MATTER IPC: G06F 12/14(2006.01);G06F 21/00(2006.01) USPC: 726/22,23,24,25 According to International Patent Classification (IPC) or to both national classification and IPC		
B. FIELDS SEARCHED Minimum documentation searched (classification system followed by classification symbols) U.S. : 726/22, 23, 24, 25 Documentation searched other than minimum documentation to the extent that such documents are included in the fields searched Electronic data base consulted during the international search (name of data base and, where practicable, search terms used) EAST		
C. DOCUMENTS CONSIDERED TO BE RELEVANT		
Category *	Citation of document, with indication, where appropriate, of the relevant passages	Relevant to claim No.
X	US 6,970,697 B2 (KOUZNETSOV et al) 29 November 2007 (29.11.2007), Entire Document.	1-21
Y,P	US 7,210,168 B2 (HURSEY et al.) 24 APRIL 2007 (24.04.2007), column 1, line 46-column 2, line 67.	1-21
Y,P	US 7,243,373 B2 (MUTTIK et al) 10 July 2007 (10.19.2007), column 1, line 26-column 2, line 52.	1-21
<input type="checkbox"/> Further documents are listed in the continuation of Box C.		<input type="checkbox"/> See patent family annex.
* Special categories of cited documents:	"T" later document published after the international filing date or priority date and not in conflict with the application but cited to understand the principle or theory underlying the invention	"X" document of particular relevance; the claimed invention cannot be considered novel or cannot be considered to involve an inventive step when the document is taken alone
"A" document defining the general state of the art which is not considered to be of particular relevance	"Y" document of particular relevance; the claimed invention cannot be considered to involve an inventive step when the document is combined with one or more other such documents, such combination being obvious to a person skilled in the art	"V" document of particular relevance; the claimed invention cannot be considered to involve an inventive step when the document is combined with one or more other such documents, such combination being obvious to a person skilled in the art
"E" earlier application or patent published on or after the international filing date	"O" document referring to an oral disclosure, use, exhibition or other means	"&" document member of the same patent family
"L" document which may throw doubts on priority claim(s) or which is cited to establish the publication date of another citation or other special reason (as specified)	"P" document published prior to the international filing date but later than the priority date claimed	
Date of the actual completion of the international search 31 January 2008 (31.01.2008)	Date of mailing of the international search report <div style="text-align: center; font-size: 1.2em; font-weight: bold;">07 MAR 2008</div>	
Name and mailing address of the ISA/US Mail Stop PCT, Attn: ISA/US Commissioner for Patents P.O. Box 1450 Alexandria, Virginia 22313-1450 Facsimile No. (571) 273-3201	Authorized officer /Tongoc Tran/ Telephone No. (585) 272-3843	