



US00D549212S

(12) **United States Design Patent** (10) **Patent No.:** **US D549,212 S**
Wada (45) **Date of Patent:** **** Aug. 21, 2007**

(54) **COMBINED RADIO RECEIVER AND CLOCK** GB 2059641 * 9/1996

(75) Inventor: **Jo Wada**, Tokyo (JP)

(73) Assignee: **Sony Corporation**, Tokyo (JP)

(**) Term: **14 Years**

(21) Appl. No.: **29/259,599**

(22) Filed: **May 12, 2006**

(30) **Foreign Application Priority Data**

Nov. 16, 2005 (EM) 000432398-0001

(51) **LOC (8) Cl.** **14-03**

(52) **U.S. Cl.** **D14/171**

(58) **Field of Classification Search** D14/170,
D14/171, 168, 188, 193, 194, 195, 196, 197,
D14/198; D10/1, 2, 15, 128; D21/513, 516;
312/7.1; 455/91, 95, 100, 128, 344, 347,
455/350, 351

See application file for complete search history.

(56) **References Cited**

U.S. PATENT DOCUMENTS

D274,191 S * 6/1984 Aoijs D14/171
D475,693 S 6/2003 Matsuoka
D480,062 S * 9/2003 Kulkarni D14/168
D484,421 S * 12/2003 Chang et al. D10/15
D488,140 S * 4/2004 Hanselman et al. D14/129
D490,797 S 6/2004 Suzuki
D491,913 S * 6/2004 Chan D14/171
D496,649 S 9/2004 Murakami

FOREIGN PATENT DOCUMENTS

GB 2056409 * 5/1996

OTHER PUBLICATIONS

Web page "LEXON Sop FM/AM Radio" <http://www.importshopaqua.com/lexon/items/LA53.html>, 2 sheets, Import Shop AQUA (Feb. 2006).

* cited by examiner

Primary Examiner—Stella Reid
Assistant Examiner—Keli' L. Acker

(74) *Attorney, Agent, or Firm*—Rader, Fishman & Grauer PLLC

(57) **CLAIM**

The ornamental design for a combined radio receiver and clock, as shown and described.

DESCRIPTION

FIG. 1 is a perspective view a combined radio receiver and clock showing my new design;

FIG. 2 is a front elevational view thereof;

FIG. 3 is a rear elevational view thereof;

FIG. 4 is a left side elevational view thereof;

FIG. 5 is a right side elevational view thereof;

FIG. 6 is a top plan view thereof; and,

FIG. 7 is a bottom plan view thereof.

Portions of FIGS. 4, 5 and 7 that are shown as broken lines are for illustrative purpose only and form no part of the claimed design.

1 Claim, 7 Drawing Sheets

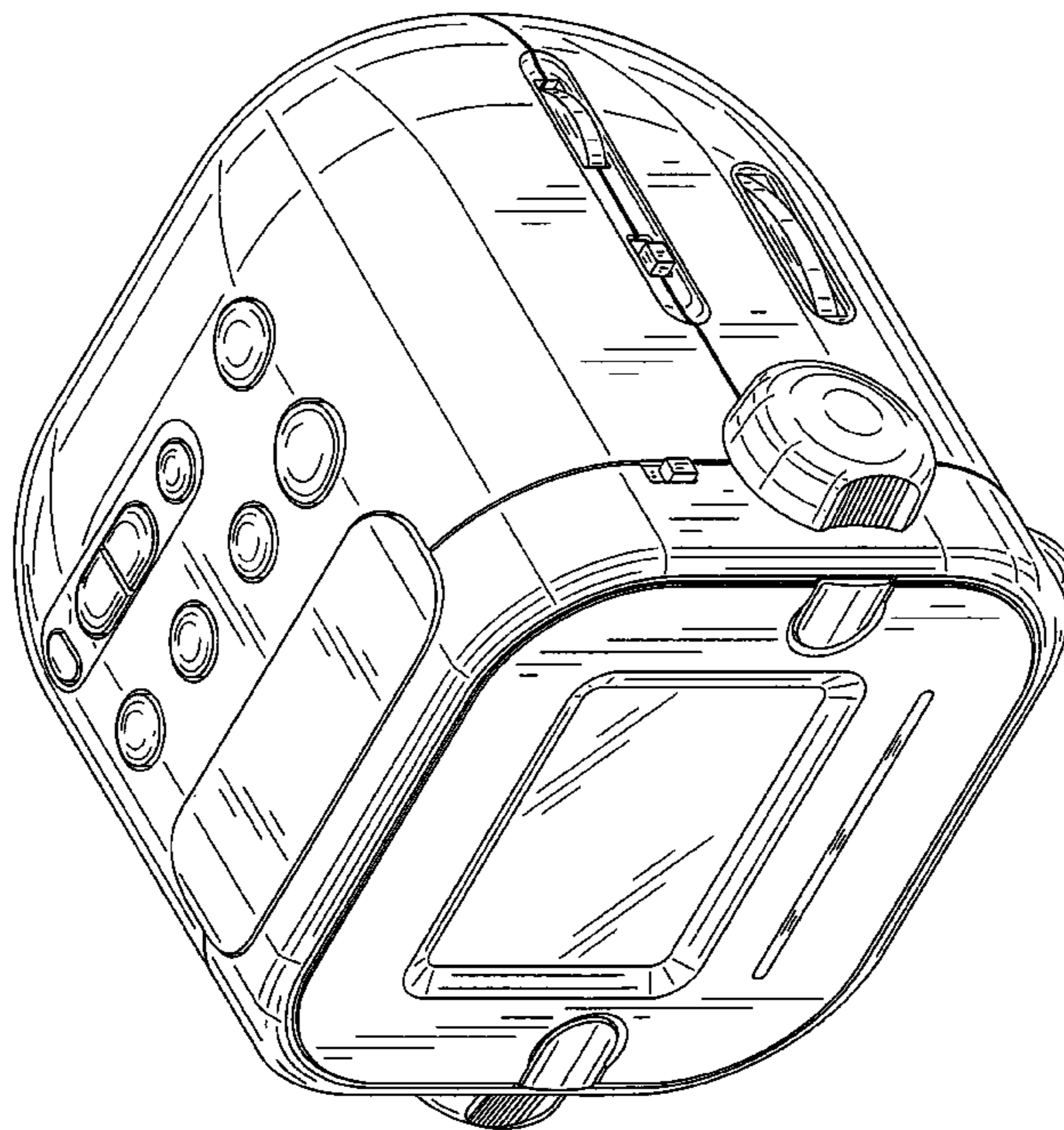


Fig.1

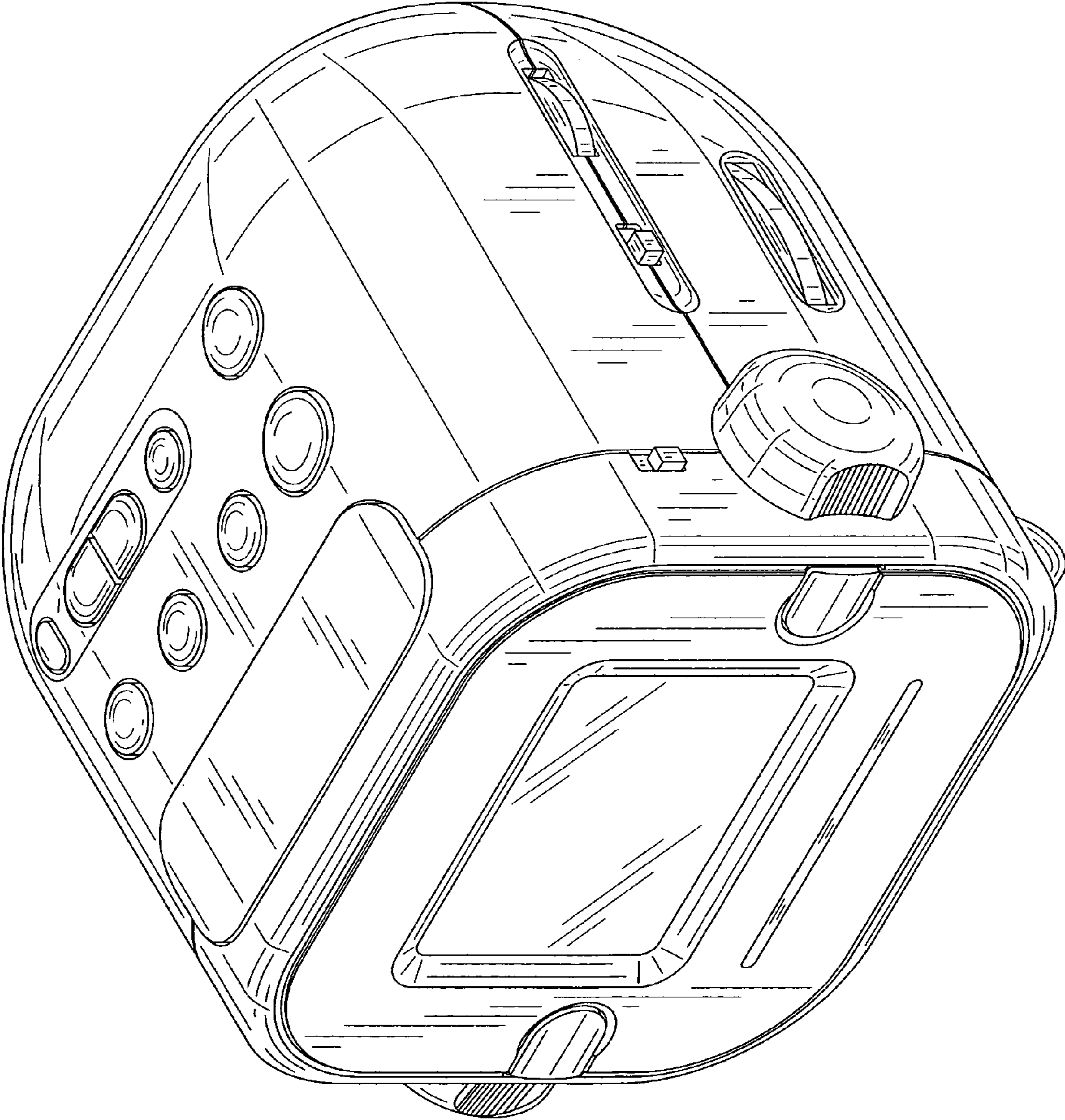


Fig.2

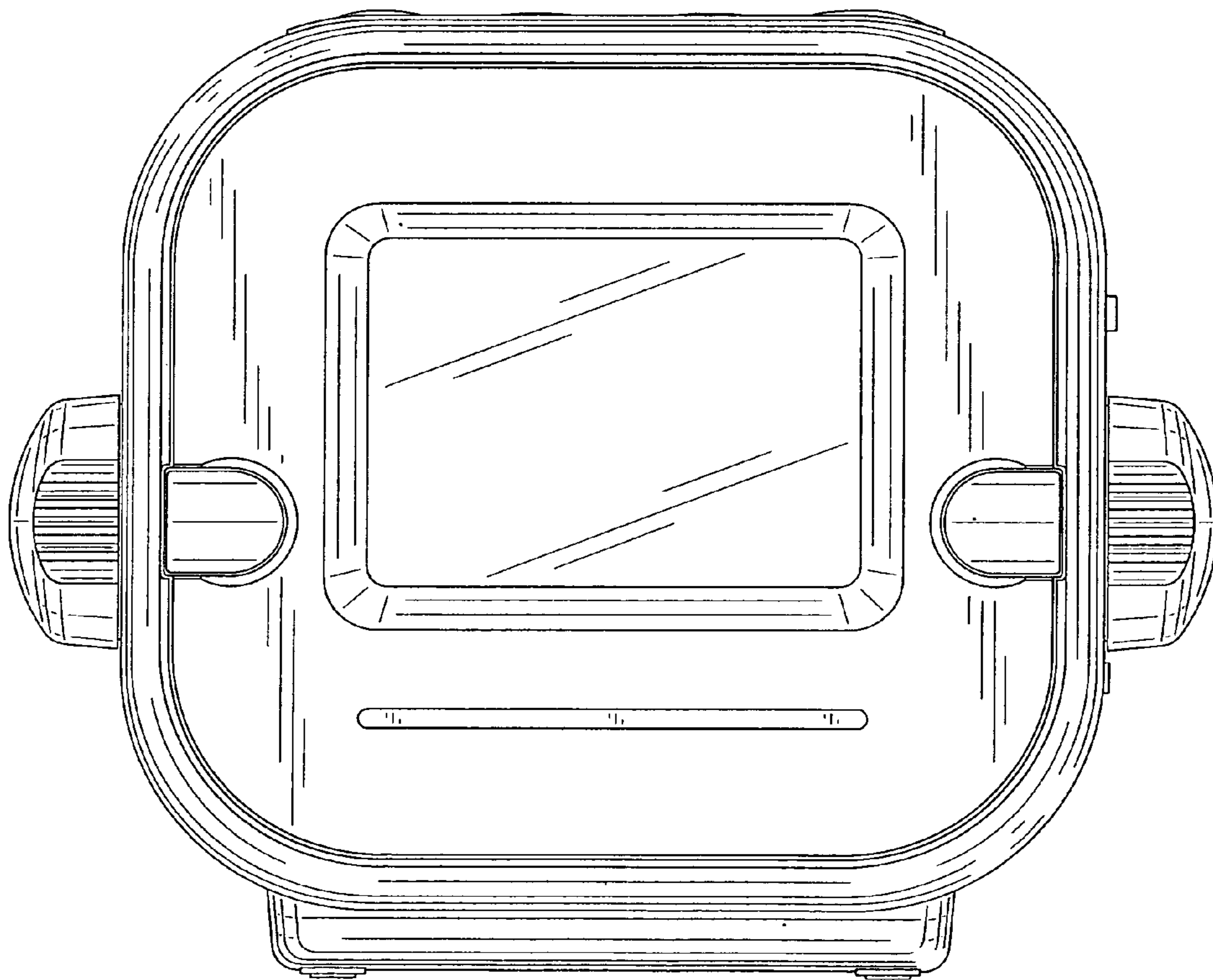


Fig.3

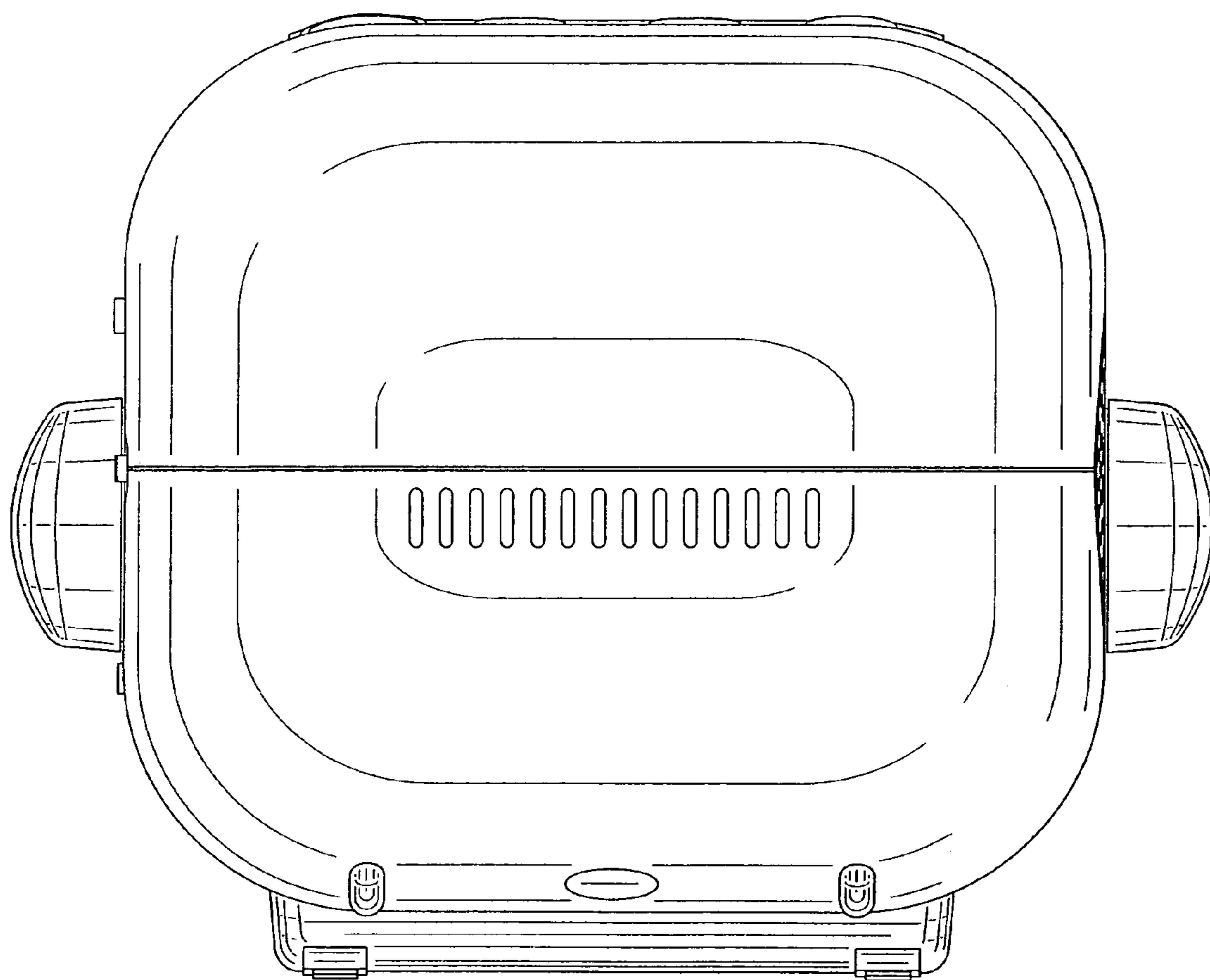


Fig.4

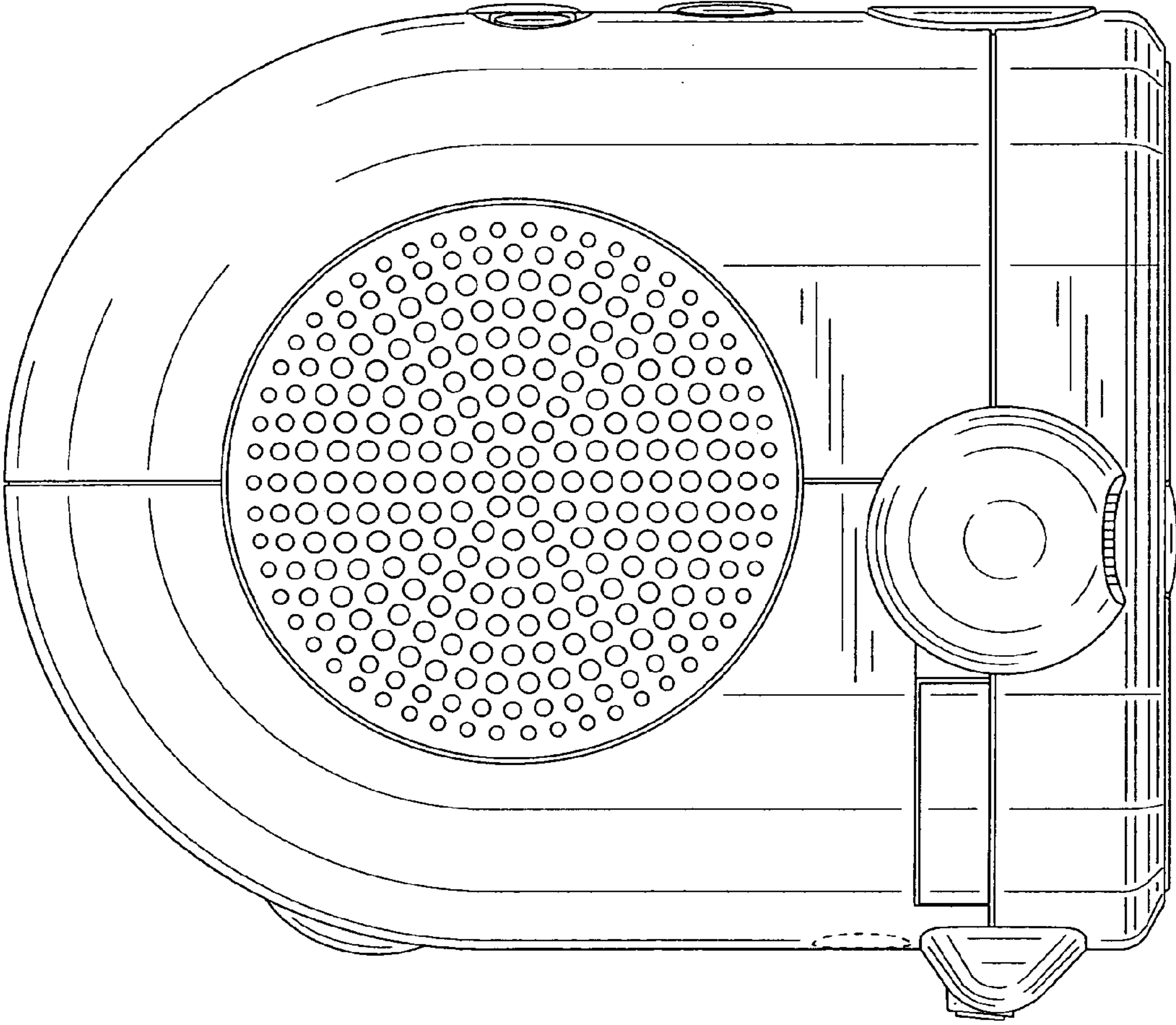


Fig.5

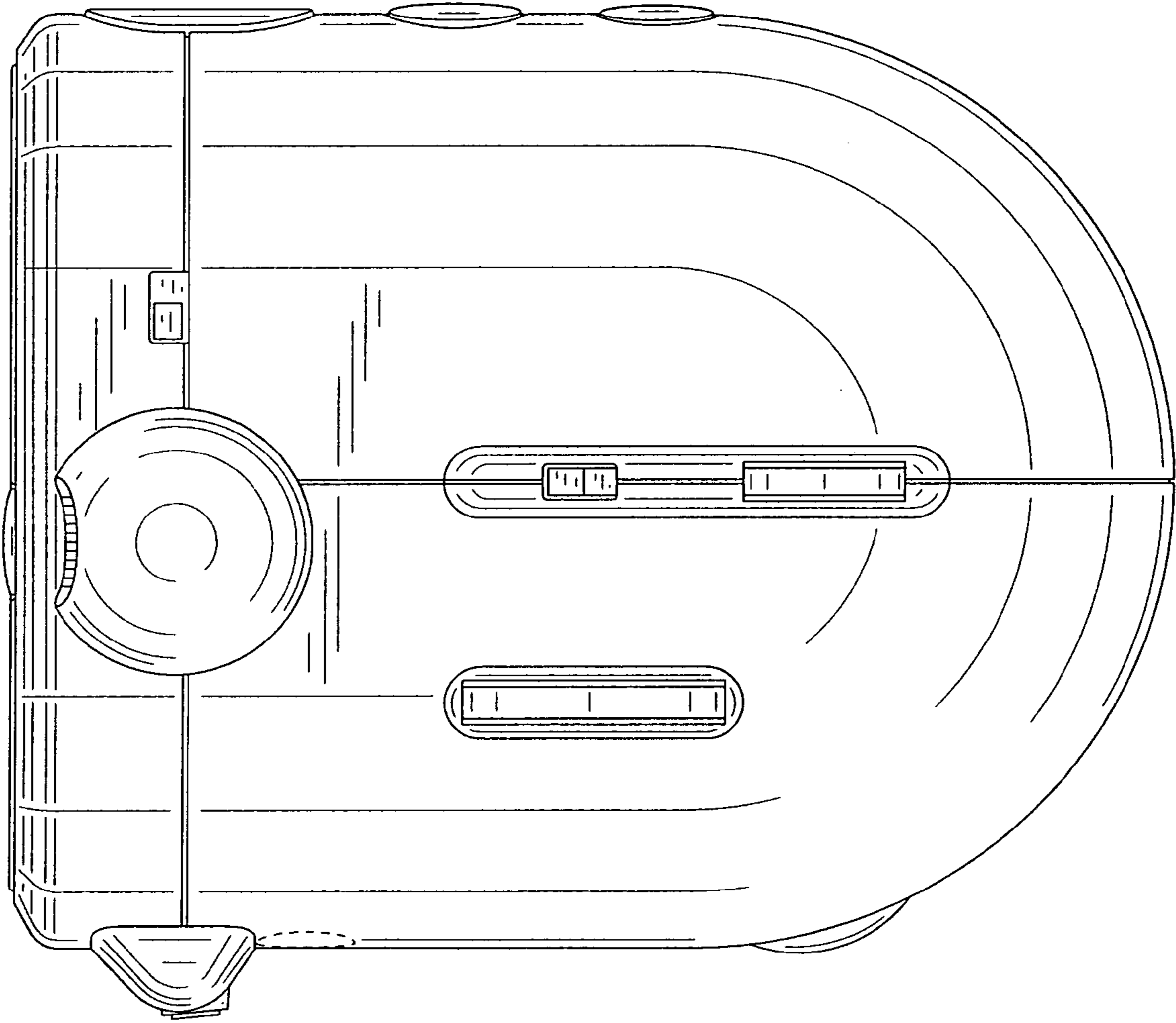


Fig.6

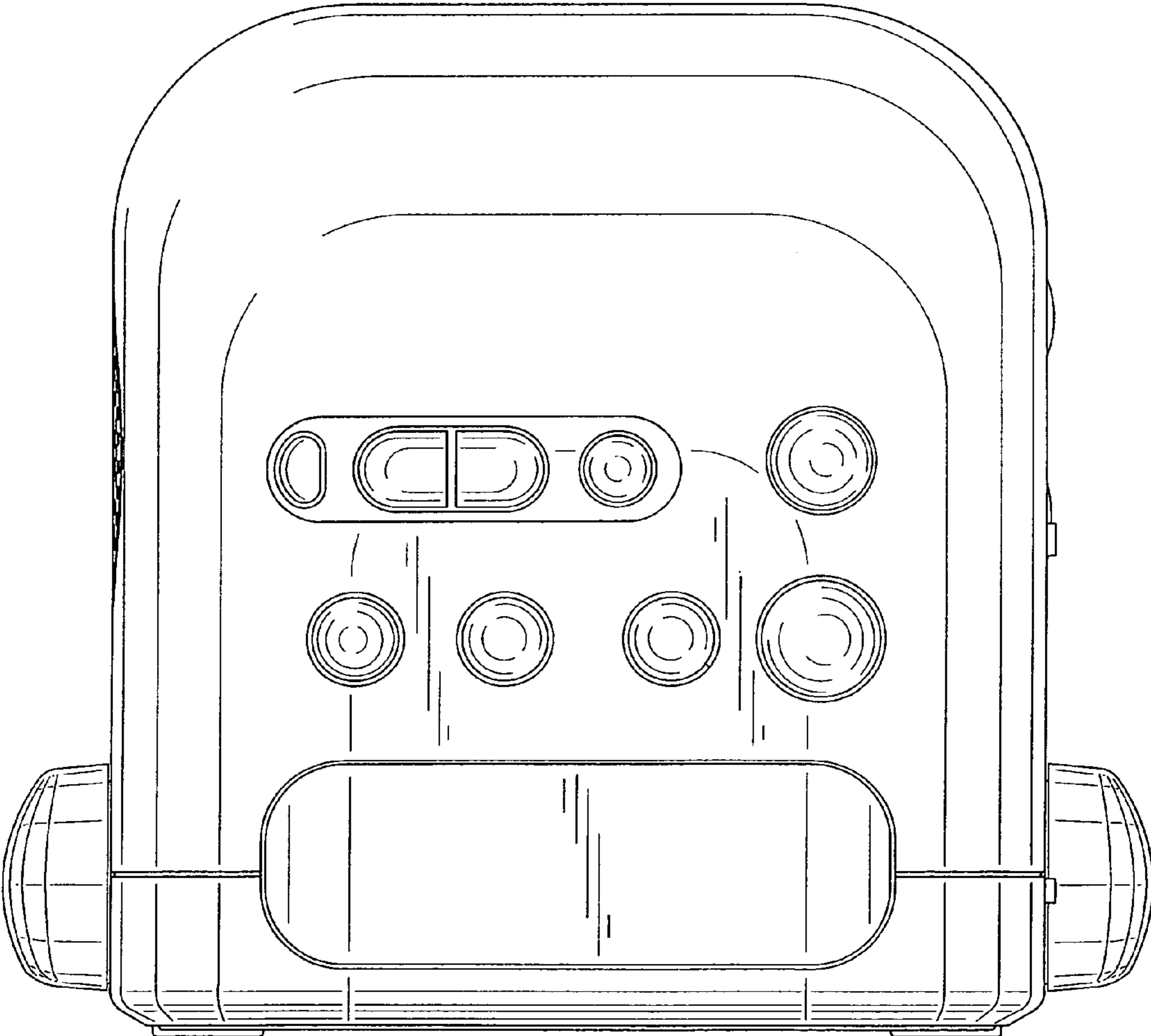


Fig.7

