



US00D716576S

(12) **United States Design Patent**
Wieland et al.

(10) **Patent No.:** **US D716,576 S**

(45) **Date of Patent:** **** Nov. 4, 2014**

(54) **SOFA WITH ADJUSTABLE TABLE**

(74) *Attorney, Agent, or Firm* — Varnum, Riddering, Schmidt & Howlett LLP

(75) Inventors: **Blair Wieland**, Fort Wayne, IN (US);
Joel D. Alberda, Leo, IN (US)

(73) Assignee: **Sauder Manufacturing Co.**, Archbold, OH (US)

(57) **CLAIM**

We claim, the ornamental design for sofa with adjustable table, as shown and described herein.

(**) Term: **14 Years**

(21) Appl. No.: **29/406,320**

(22) Filed: **Nov. 11, 2011**

Related U.S. Application Data

(63) Continuation-in-part of application No. 13/168,438, filed on Jun. 24, 2011.

(51) **LOC (10) Cl.** **06-01**

(52) **U.S. Cl.**

USPC **D6/381**

(58) **Field of Classification Search**

USPC D6/334–338, 349, 355, 361, 368–370,
D6/376, 379–381, 708, 716, 716.1;
297/16.1, 42, 94, 135, 175, 232, 233,
297/350, 351, 445.1, 448.1, 448.2, 451.9;
5/12.1, 12.2

See application file for complete search history.

(56) **References Cited**

U.S. PATENT DOCUMENTS

481,385 A	8/1892	Barger
2,028,426 A	1/1936	Wunderlich
2,295,083 A	9/1942	Jonassen
2,330,059 A	9/1943	Krakauer
2,435,936 A	2/1948	Wilson
2,437,949 A	3/1948	Fox
2,634,429 A	4/1953	Hopeman
2,672,626 A	3/1954	Watt
2,714,729 A	8/1955	Bohnsack
2,028,105 A	3/1960	Bohnsack
3,048,855 A	8/1962	Frank

(Continued)

Primary Examiner — Sandra Snapp

DESCRIPTION

FIG. 1 is a front, elevation view of an embodiment of the sofa with adjustable table in accordance with our invention, comprising two seats, a pair of arm caps and the table in an upper position;

FIG. 2 is a perspective view of our sofa with adjustable table shown in FIG. 1;

FIG. 3 is a further perspective view of our sofa with adjustable table shown in FIG. 2, but showing the table in an intermediate position;

FIG. 4 is a further perspective view of our sofa with adjustable table shown in FIG. 3, but showing the table in a lowered position;

FIG. 5 is a perspective view of our sofa with adjustable table shown in FIG. 4, but showing the system in a sleep configuration;

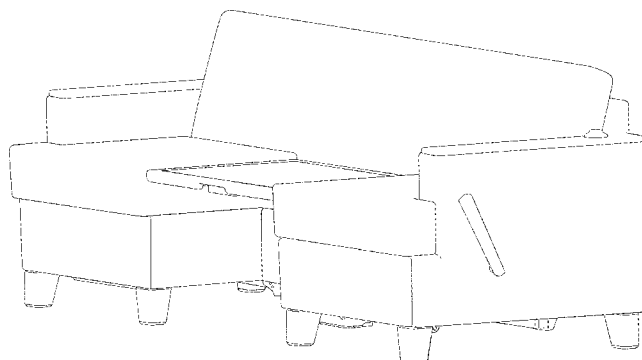
FIG. 6 is a perspective view of a further embodiment of the sofa with adjustable table in accordance with our invention, comprising a pair of seats, arm caps and the table in a lower position, with the sofa with adjustable table in a sleep configuration;

FIG. 7 is a perspective view of our sofa with adjustable table shown in FIG. 6, but showing the system in a sitting or sofa configuration;

FIG. 8 is a perspective view of our sofa with adjustable table shown in FIG. 7, but showing the table in an intermediate position; and,

FIG. 9 is a perspective view of our sofa with adjustable table shown in FIG. 7, but showing the table in an upper position.

1 Claim, 9 Drawing Sheets



(56)

References Cited

U.S. PATENT DOCUMENTS

3,811,728	A *	5/1974	Redemske	297/440.14	6,904,628	B2	6/2005	Murphy	
4,048,680	A	9/1977	Rogers		6,934,979	B2	8/2005	Swan	
4,104,747	A	8/1978	Bell		D544,233	S *	6/2007	Hutton	D6/378
D321,797	S	11/1991	Paris		D555,383	S	11/2007	Borgonovo	
D326,367	S	5/1992	Messina		D584,524	S *	1/2009	Ricci	D6/381
5,224,228	A	7/1993	Larrimore		7,549,182	B2	6/2009	Murphy	
5,621,930	A	4/1997	Reppas		7,607,180	B2	10/2009	Griepentrog	
5,695,239	A	12/1997	Johnson		D657,965	S *	4/2012	Amini	D6/334
6,508,526	B2	1/2003	Reppas		2004/0195798	A1	10/2004	Newfer	
6,651,274	B2	11/2003	Swihat		2005/0267900	A1	12/2005	Ahmed	
6,779,208	B2	8/2004	Lim		2007/0136952	A1	6/2007	Sargent	
					2008/0148478	A1	6/2008	Patella	
					2012/0131745	A1	5/2012	Wieland	

* cited by examiner

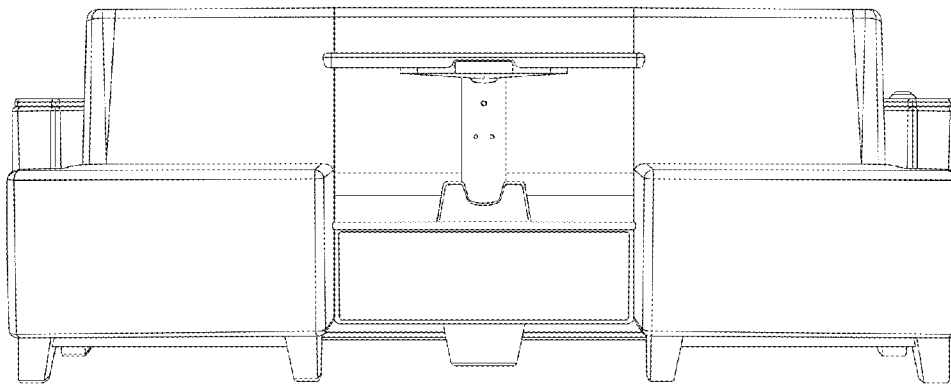


Fig. 1

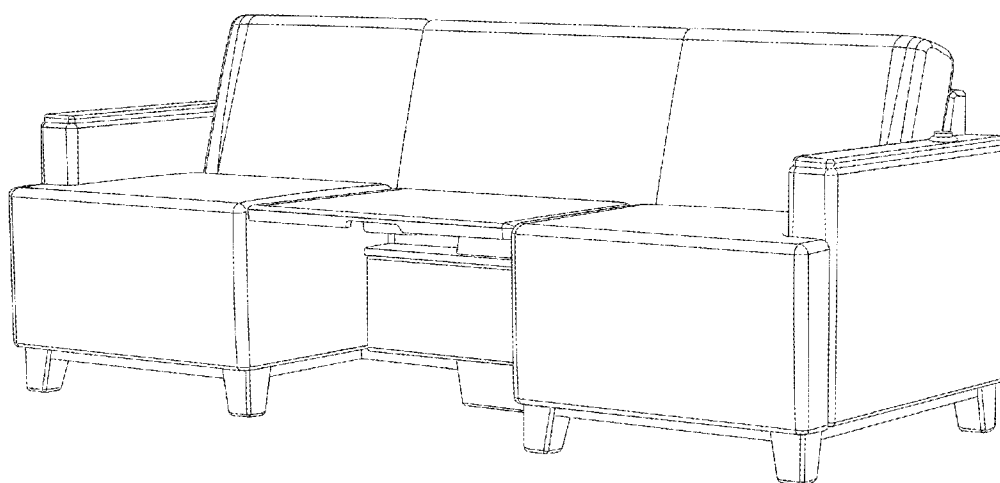


Fig.2

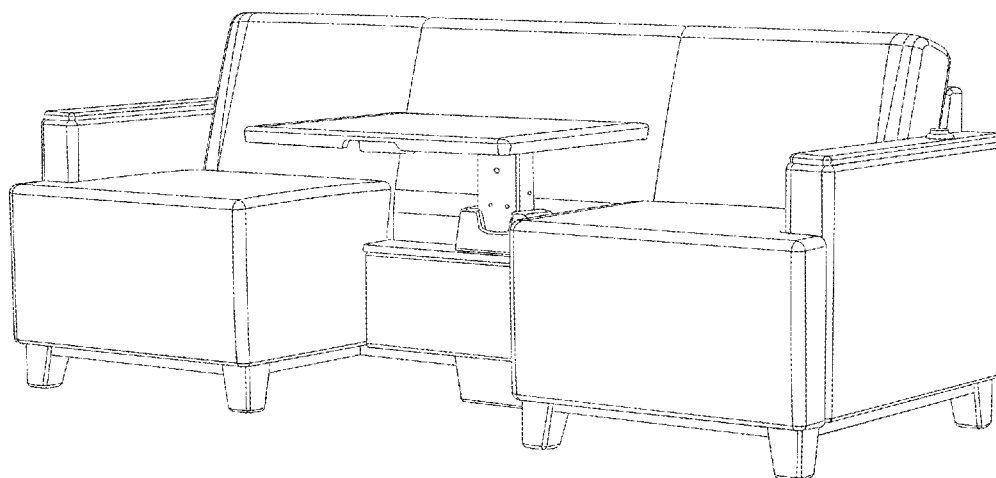


Fig. 3

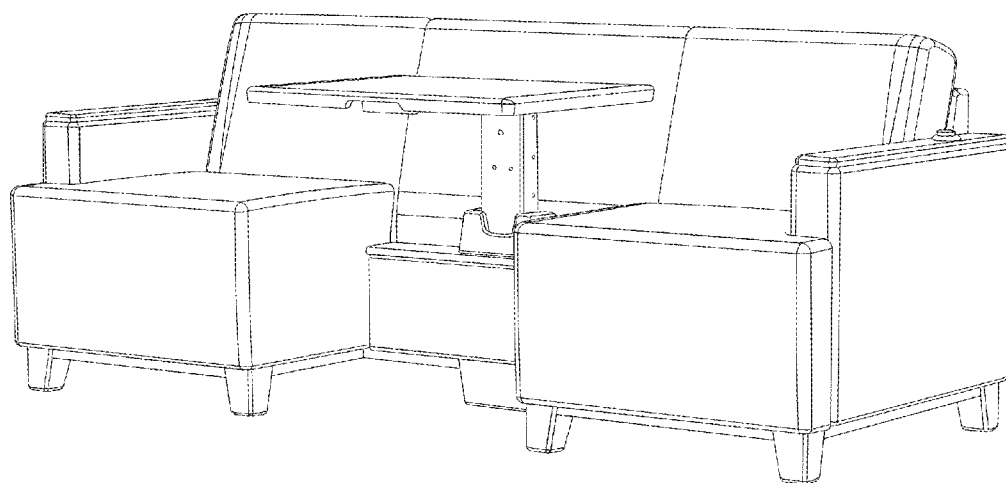


Fig.4

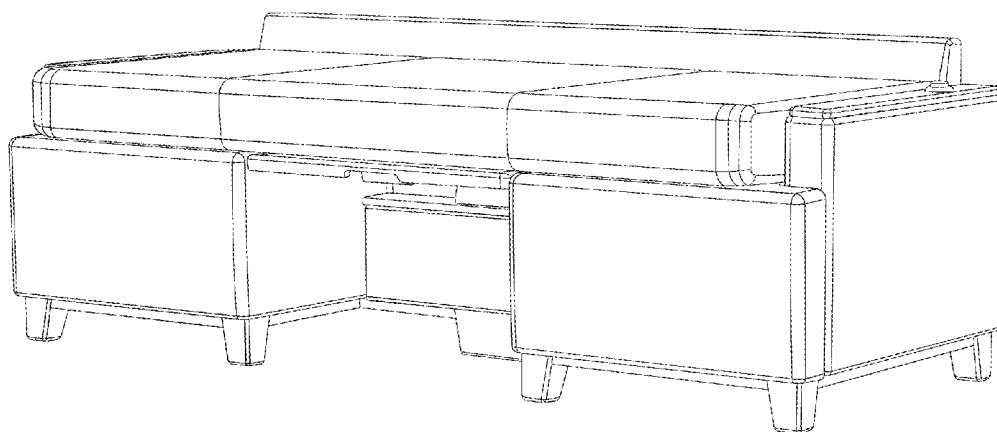


Fig. 5

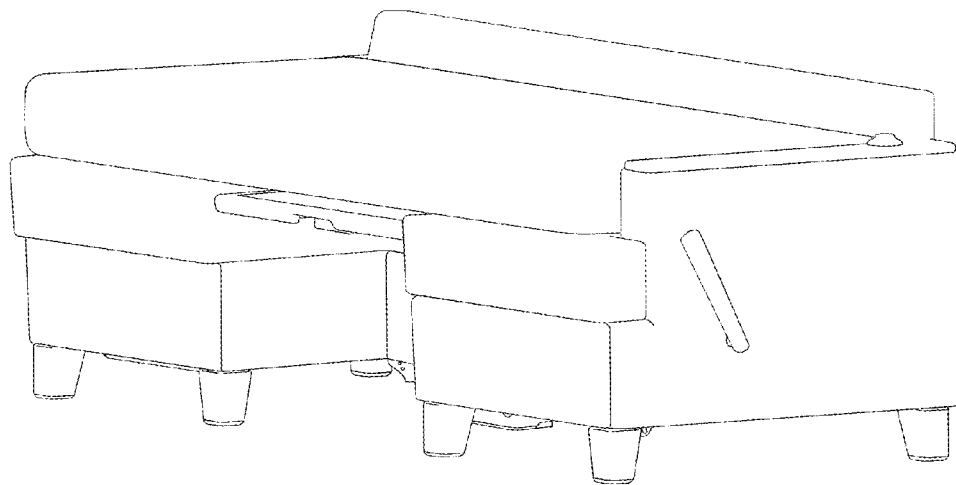


Fig. 6

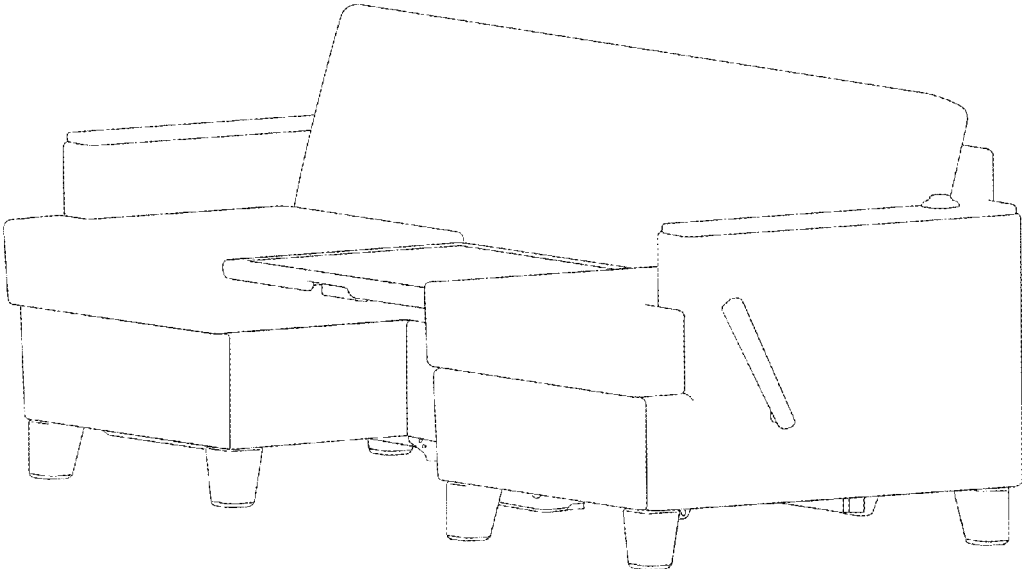


Fig. 7

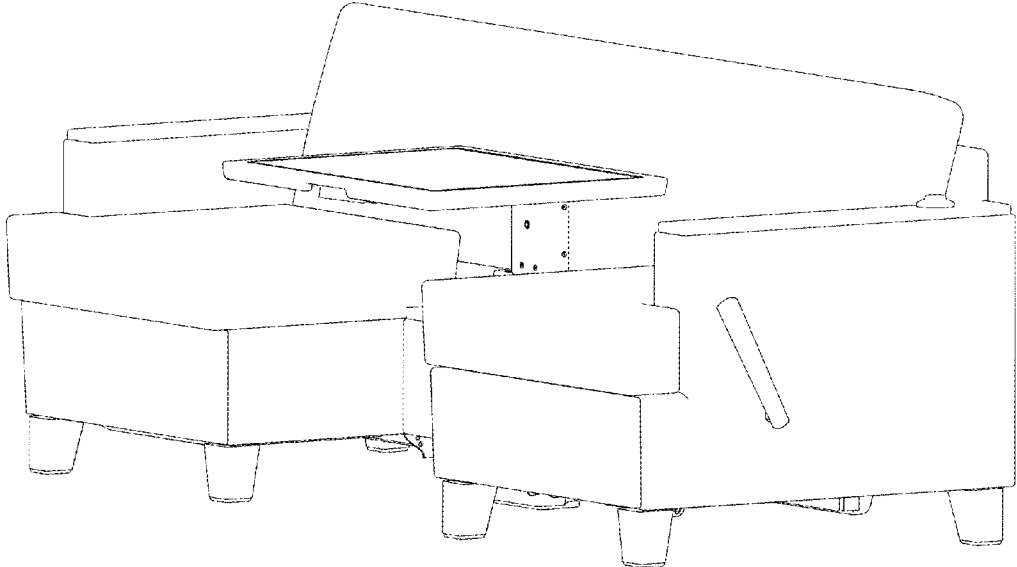


Fig.8

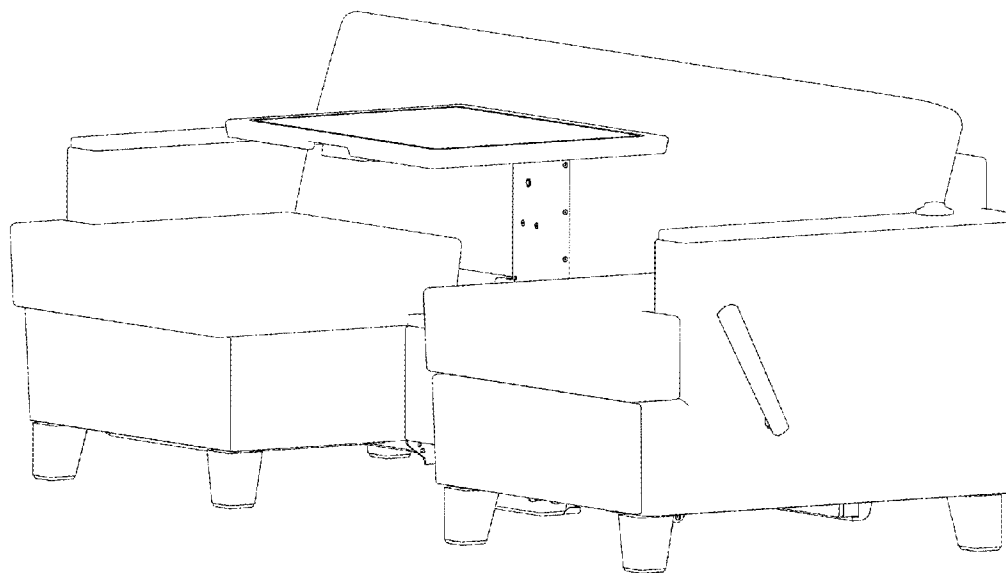


Fig. 9

UNITED STATES PATENT AND TRADEMARK OFFICE
CERTIFICATE OF CORRECTION

PATENT NO. : D716,576 S
APPLICATION NO. : 29/406320
DATED : November 4, 2014
INVENTOR(S) : Wieland et al.

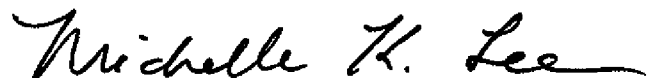
Page 1 of 11

It is certified that error appears in the above-identified patent and that said Letters Patent is hereby corrected as shown below:

The Title page, showing the illustrative figure, should be deleted and substitute therefor the attached Title page.

Please replace FIGS. 1-9 with FIGS. 1-9 as shown on the attached pages.

Signed and Sealed this
Twenty-sixth Day of January, 2016



Michelle K. Lee
Director of the United States Patent and Trademark Office

(12) **United States Design Patent** (10) **Patent No.:** **US D716,576 S**
Wieland et al. (45) **Date of Patent:** **** Nov. 4, 2014**

(54) **SOFA WITH ADJUSTABLE TABLE**

(74) *Attorney, Agent, or Firm* — Varnum, Riddering, Schmidt & Howlett LLP

(75) **Inventors:** **Blair Wieland**, Fort Wayne, IN (US);
Joel D. Alberda, Leo, IN (US)

(73) **Assignee:** **Sauder Manufacturing Co.**, Archbold, OH (US)

(57) **CLAIM**
 We claim, the ornamental design for sofa with adjustable table, as shown and described herein.

(**) **Term:** **14 Years**

(21) **Appl. No.:** **29/406,320**

(22) **Filed:** **Nov. 11, 2011**

Related U.S. Application Data

(63) Continuation-in-part of application No. 13/168,438, filed on Jun. 24, 2011.

(51) **LOC (10) Cl.** **06-01**

(52) **U.S. Cl.**

USPC **D6/381**

(58) **Field of Classification Search**

USPC D6/334-338, 349, 355, 361, 368-370,
 D6/376, 379-381, 708, 716, 716.1;
 297/16.1, 42, 94, 135, 175, 232, 233,
 297/350, 351, 445.1, 448.1, 448.2, 451.9;
 5/12.1, 12.2

See application file for complete search history.

(56) **References Cited**

U.S. PATENT DOCUMENTS

481,385	A	8/1892	Barger
2,028,426	A	1/1936	Wunderlich
2,295,083	A	9/1942	Jonassen
2,330,059	A	9/1943	Krakauer
2,435,936	A	2/1948	Wilson
2,437,949	A	3/1948	Fox
2,634,429	A	4/1953	Hopeman
2,672,626	A	3/1954	Watt
2,714,729	A	8/1955	Bohnsack
2,028,105	A	3/1960	Bohnsack
3,048,855	A	8/1962	Frank

(Continued)

Primary Examiner Sandra Snapp

DESCRIPTION

FIG. 1 is a front, elevation view of an embodiment of the sofa with adjustable table in accordance with our invention, comprising two seats, a pair of arm caps and the table in an upper position;

FIG. 2 is a perspective view of our sofa with adjustable table shown in FIG. 1;

FIG. 3 is a further perspective view of our sofa with adjustable table shown in FIG. 2, but showing the table in an intermediate position;

FIG. 4 is a further perspective view of our sofa with adjustable table shown in FIG. 3, but showing the table in a lowered position;

FIG. 5 is a perspective view of our sofa with adjustable table shown in FIG. 4, but showing the system in a sleep configuration;

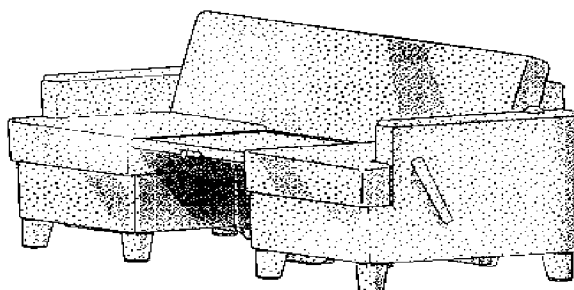
FIG. 6 is a perspective view of a further embodiment of the sofa with adjustable table in accordance with our invention, comprising a pair of seats, arm caps and the table in a lower position, with the sofa with adjustable table in a sleep configuration;

FIG. 7 is a perspective view of our sofa with adjustable table shown in FIG. 6, but showing the system in a sitting or sofa configuration;

FIG. 8 is a perspective view of our sofa with adjustable table shown in FIG. 7, but showing the table in an intermediate position; and,

FIG. 9 is a perspective view of our sofa with adjustable table shown in FIG. 7, but showing the table in an upper position.

1 Claim, 9 Drawing Sheets



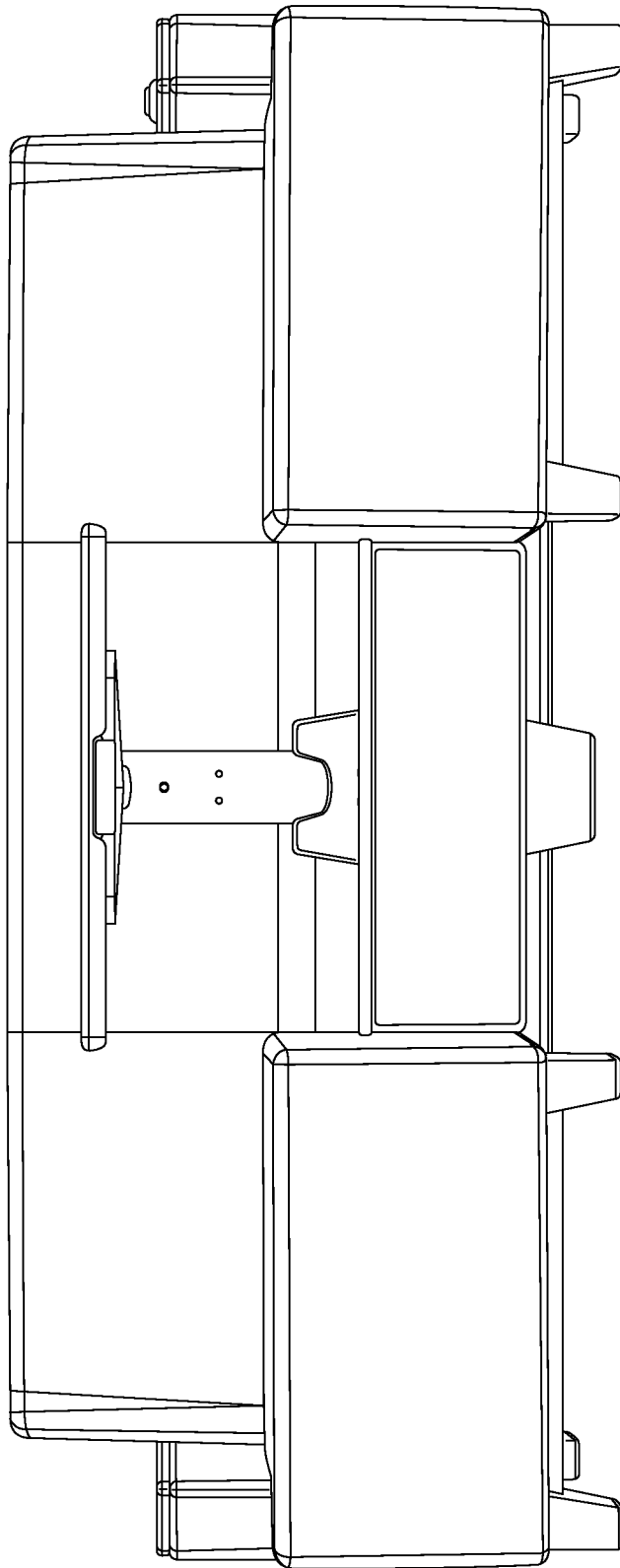


Fig. 1

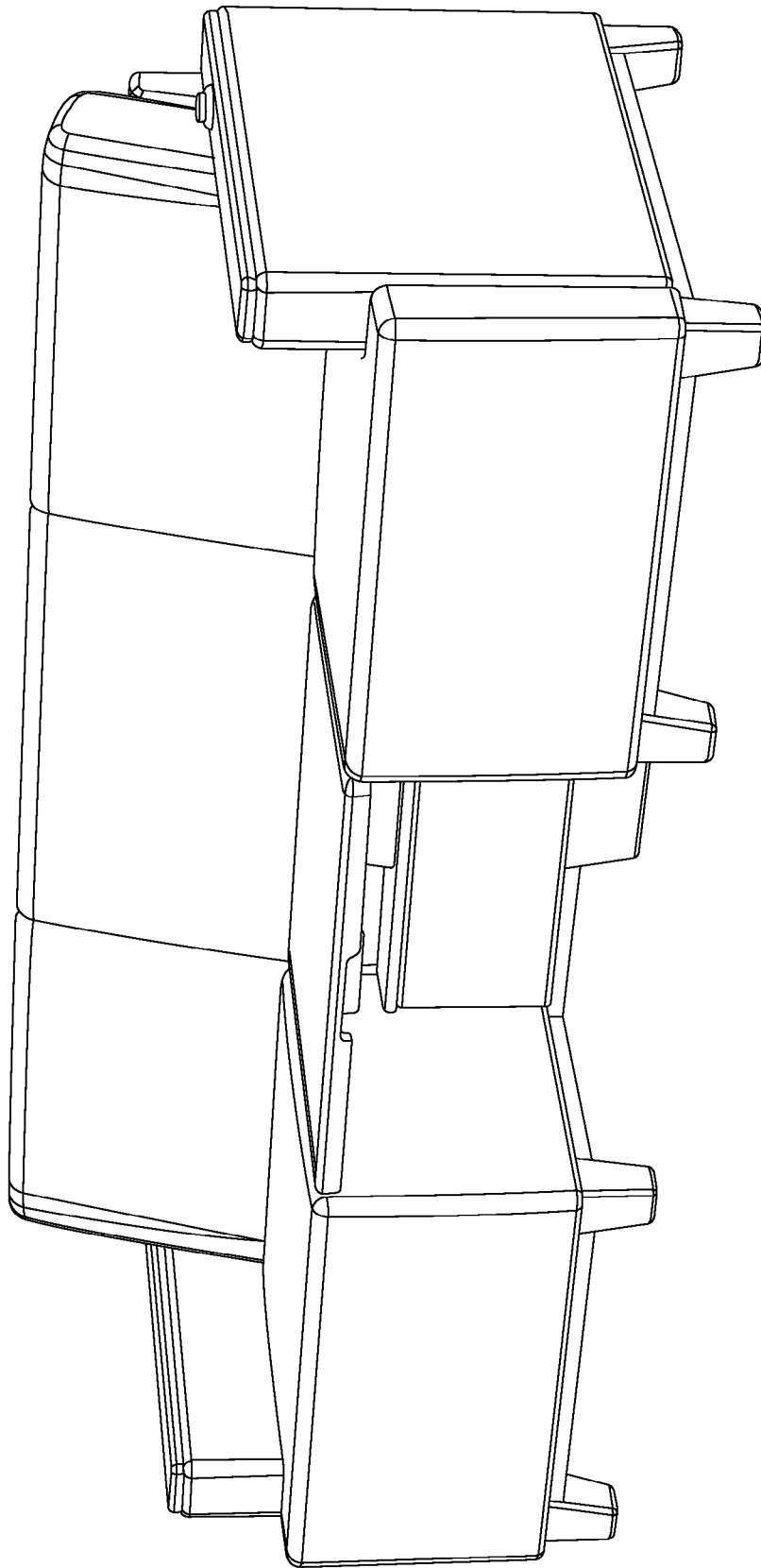


Fig. 2

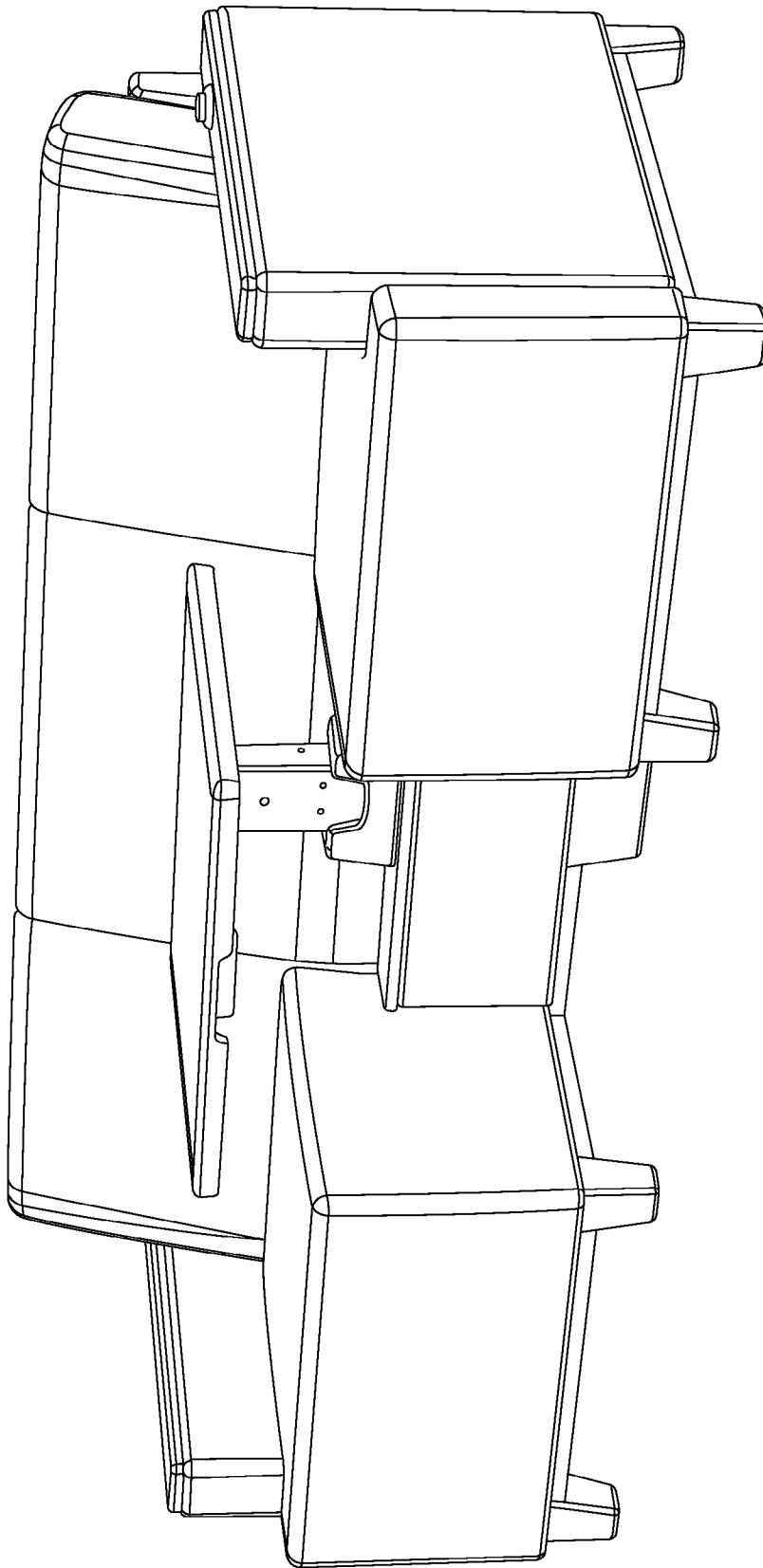


Fig. 3

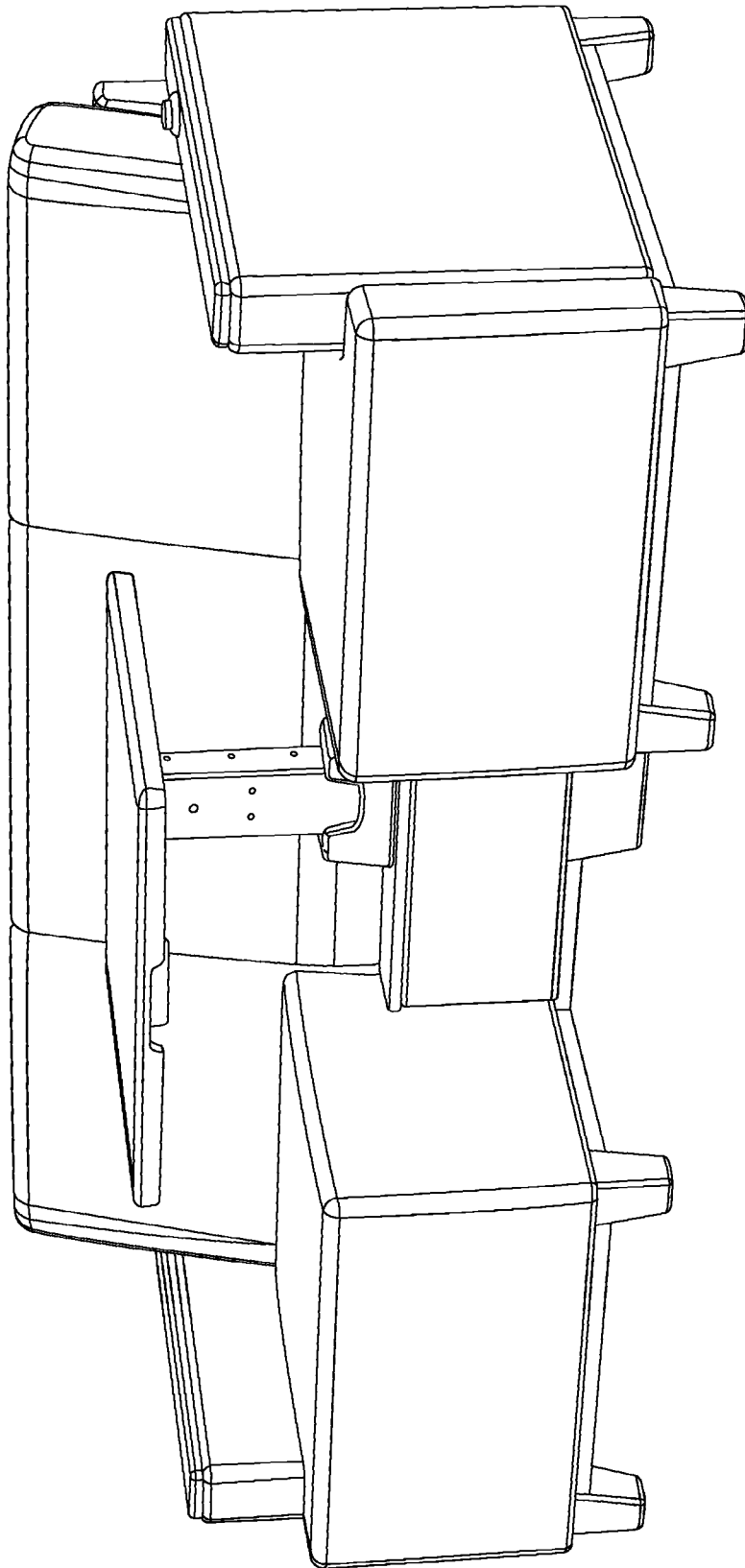


Fig. 4

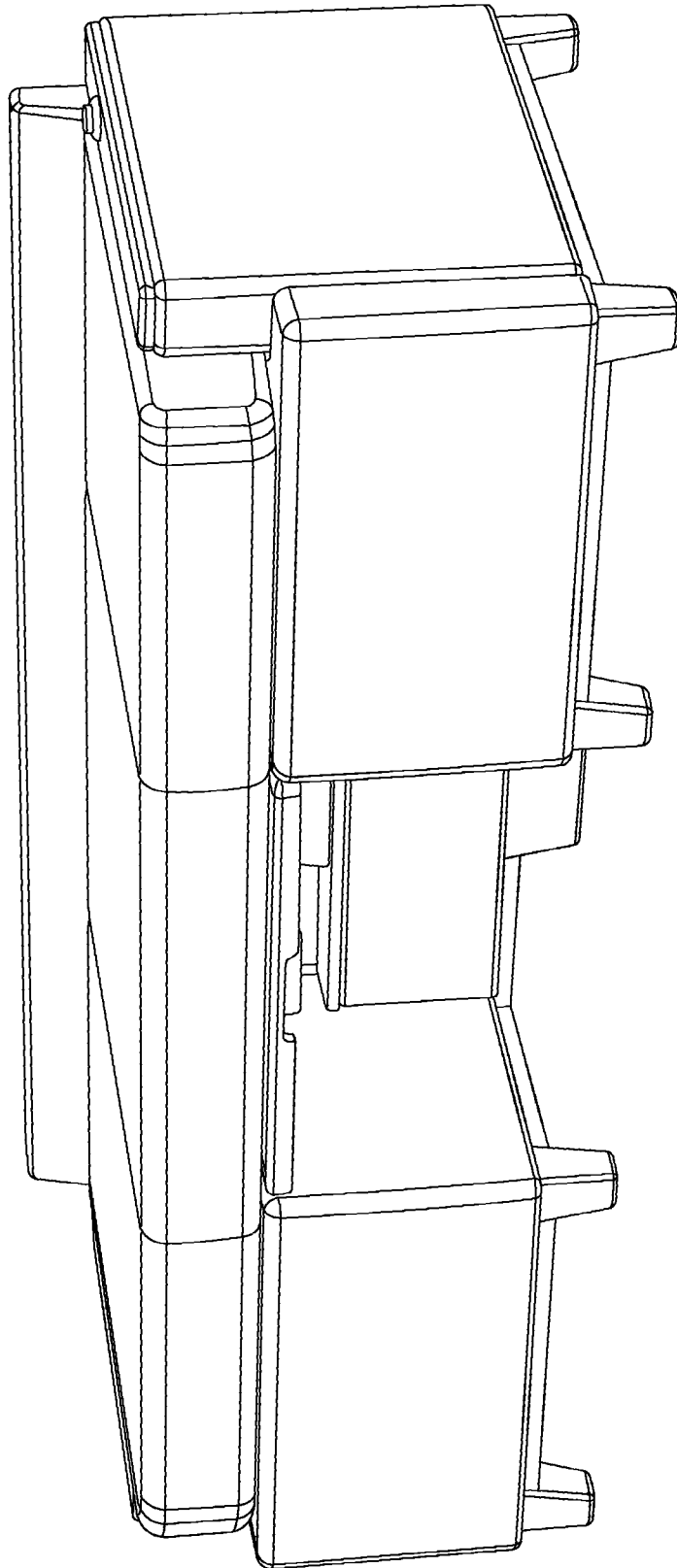


Fig. 5

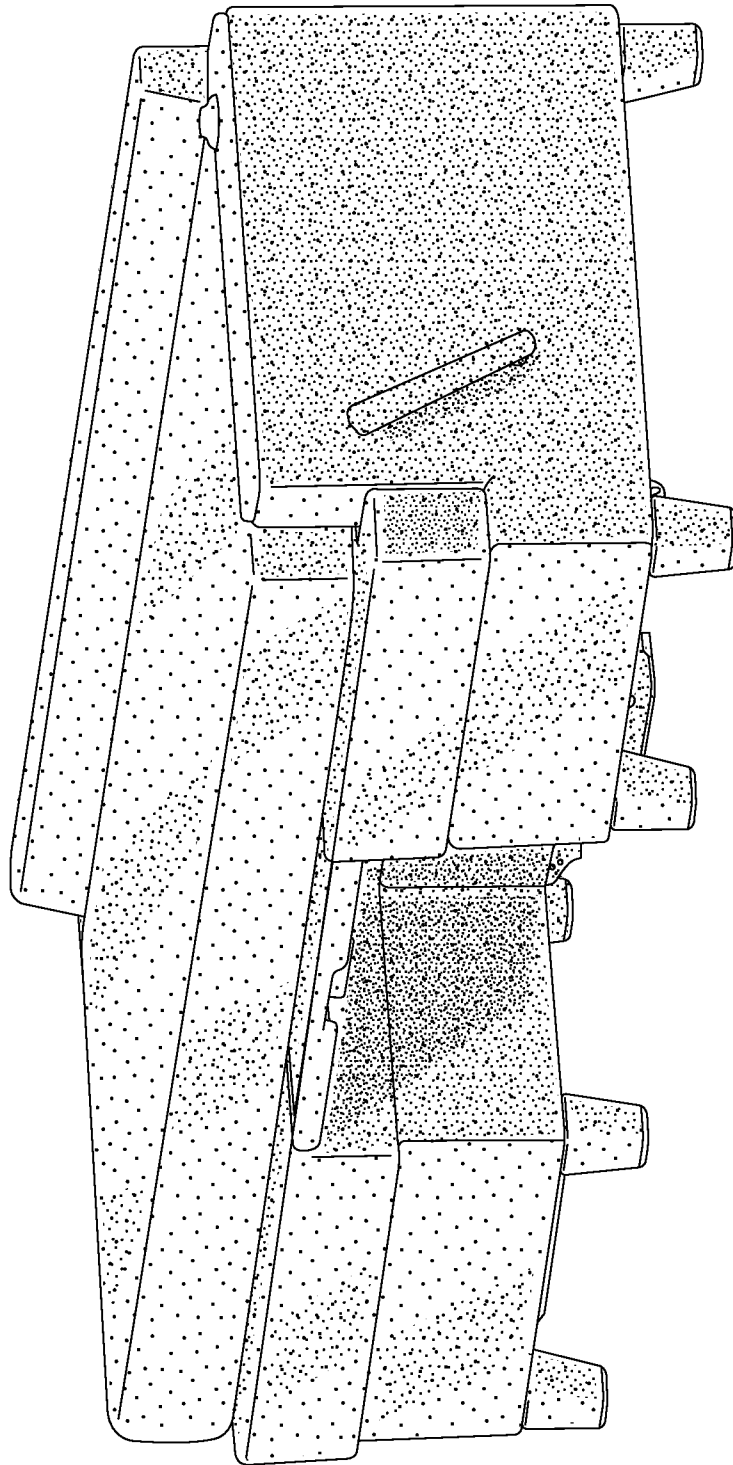


Fig. 6

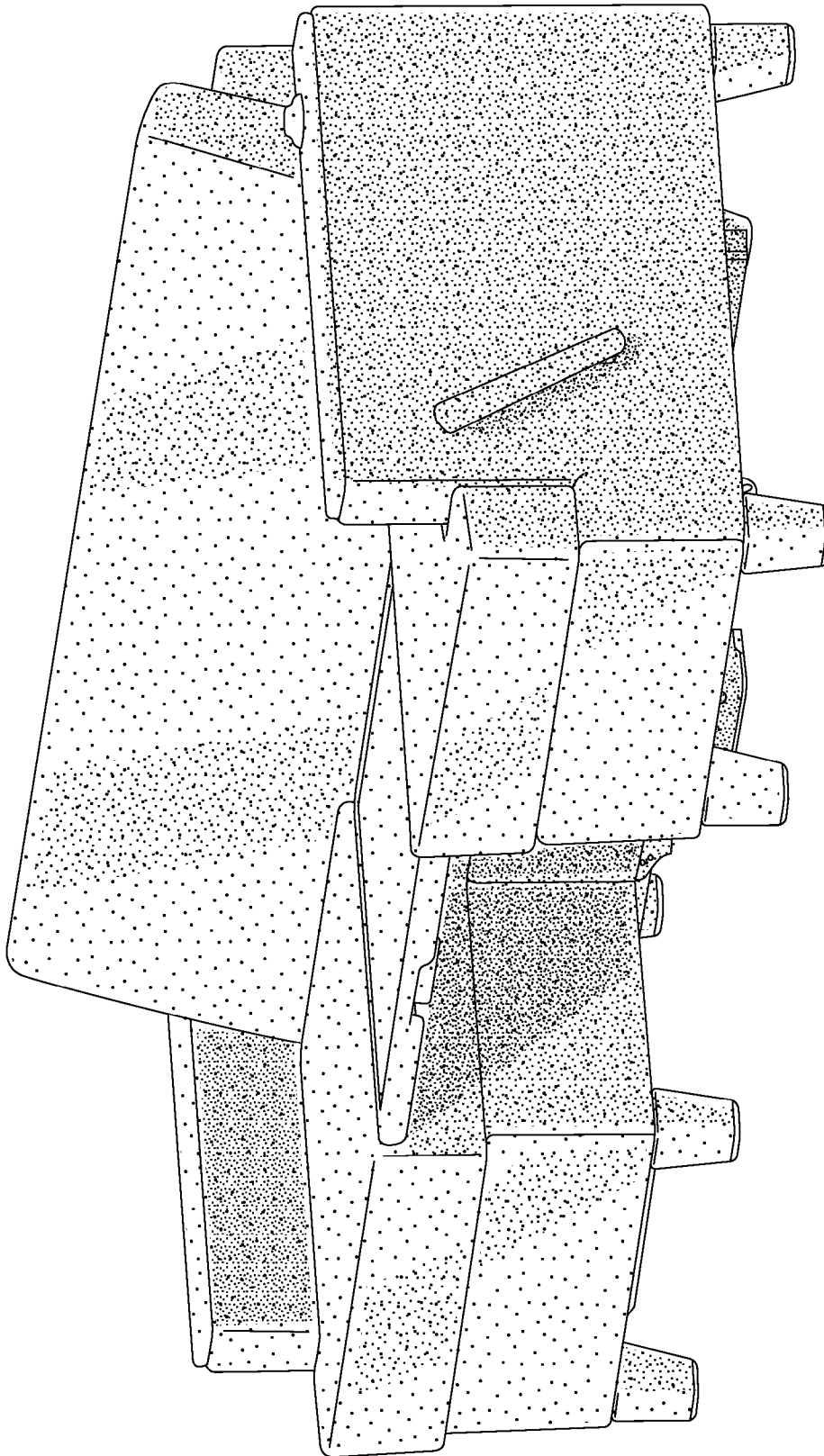


Fig. 7

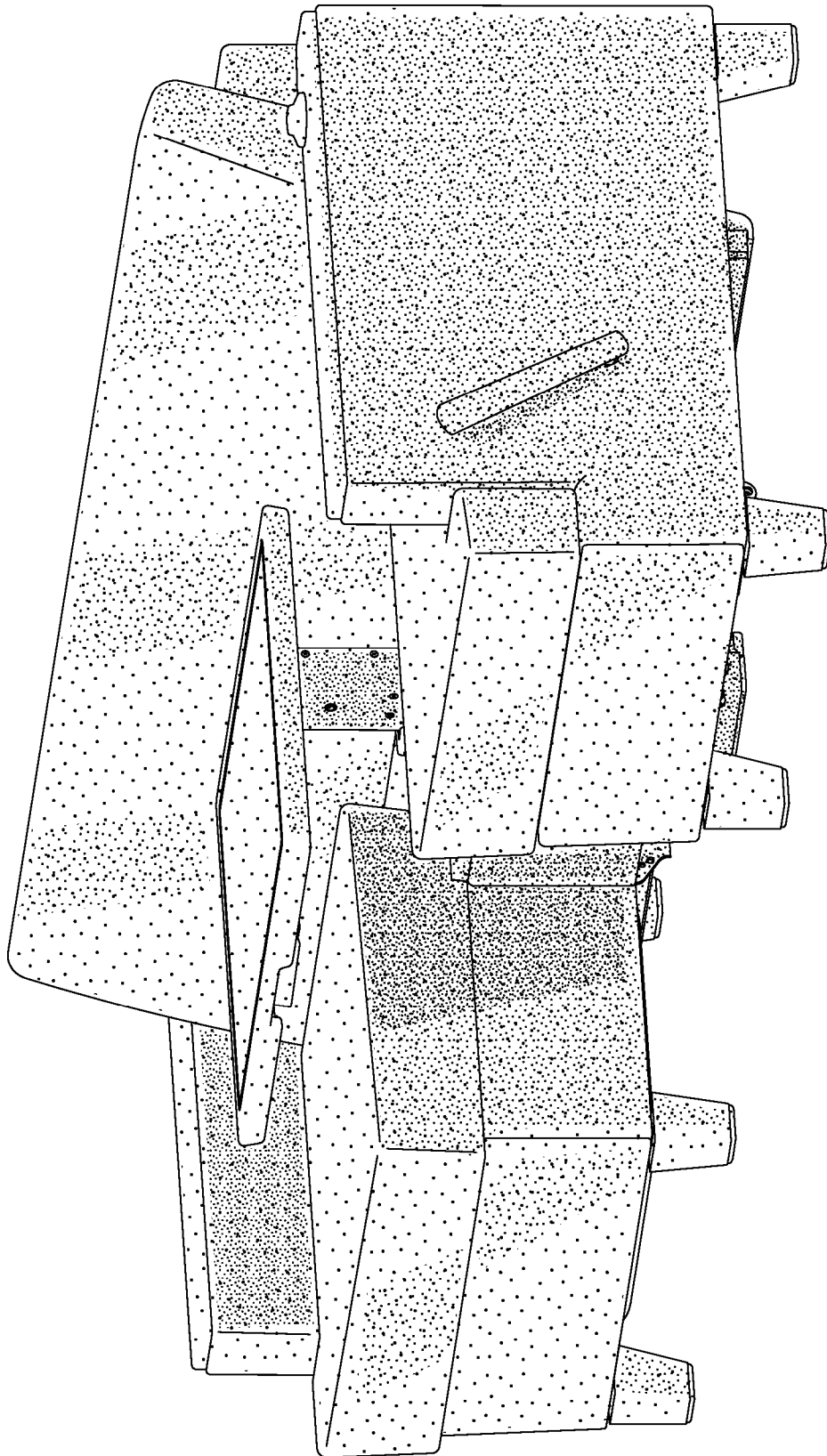


Fig. 8

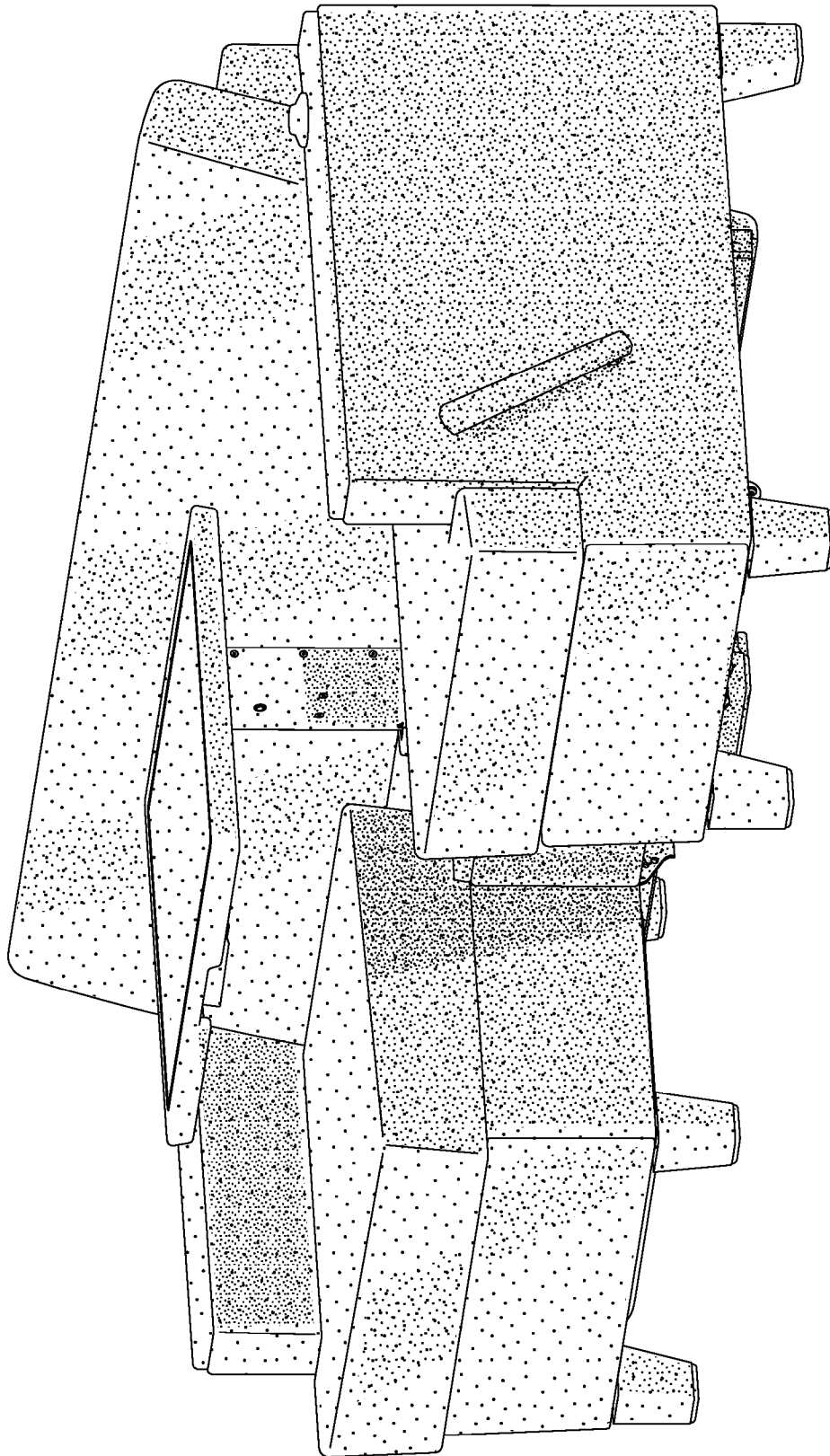


Fig. 9