



US00D729529S

(12) **United States Design Patent**  
**Robins et al.**

(10) **Patent No.:** **US D729,529 S**

(45) **Date of Patent:** **\*\* May 19, 2015**

- (54) **SEATING UNIT WITH BASE**
- (71) Applicants: **Alan Robins**, Merion Station, PA (US);  
**Lin Hsin Yi Hsin Yi**, San Diego, CA (US)
- (72) Inventors: **Alan Robins**, Merion Station, PA (US);  
**Lin Hsin Yi Hsin Yi**, San Diego, CA (US)
- (73) Assignee: **HASKELL OFFICE**, Bala Cynwyd, PA (US)

D194,980 S	4/1963	De La Riva	
D195,725 S	7/1963	Chapman et al.	
D198,628 S	7/1964	Chapman et al.	
D224,766 S *	9/1972	Rowland	D6/371
3,700,282 A *	10/1972	Rowland	297/440.23
D230,669 S	3/1974	Hendrickson et al.	
D237,662 S	11/1975	Subert	
D261,702 S *	11/1981	Whalen	D6/334
D279,581 S *	7/1985	Juliana et al.	D18/56
D298,674 S	11/1988	Koller, Sr.	
D315,998 S	4/1991	Edwards	
D319,159 S	8/1991	Silbersky et al.	
D326,577 S	6/1992	Edwards	
D193,847 S	10/1992	Mason	

(Continued)

(\*\*) Term: **14 Years**

*Primary Examiner* — Sandra Snapp

(21) Appl. No.: **29/486,752**

(74) *Attorney, Agent, or Firm* — Law Offices of Robert F. Zielinski, LLC

(22) Filed: **Apr. 2, 2014**

(51) **LOC (10) Cl.** ..... **06-01**

(52) **U.S. Cl.**

USPC ..... **D6/338**

(58) **Field of Classification Search**

USPC ..... D6/334–338, 349, 355, 361, 368–370,  
D6/376, 379–381, 716, 716.1, 716.2, 340,  
D6/354, 377; 297/16.1, 42, 94, 135, 175,  
297/232, 233, 350, 351, 445.1, 448.1,  
297/448.2, 451.9; 5/12.1, 12.2

See application file for complete search history.

(56) **References Cited**

U.S. PATENT DOCUMENTS

2,343,077 A	2/1944	Parrish
D177,231 S	3/1956	Hail et al.
D181,703 S	12/1957	Bargen et al.
2,818,107 A	12/1957	Thaden
D181,945 S	1/1958	Saarinén
D181,975 S	1/1958	Hail et al.
D182,790 S	5/1958	Cohen
D183,416 S	8/1958	Bellmann
2,845,699 A	8/1958	Woodard
2,989,112 A	6/1961	Sonnleitner
D192,029 S	1/1962	Avedon et al.

(57) **CLAIM**

The ornamental design for a seating unit with base, as shown and described.

**DESCRIPTION**

FIG. 1 is top, side, right perspective view of the seating unit with base embodying our new design.

FIG. 2 is a front view of the seating unit with base thereof.

FIG. 3 is a rear view of the seating unit with base thereof.

FIG. 4 is a right side view of the seating unit with base thereof.

FIG. 5 is a left side view of the seating unit with base thereof.

FIG. 6 is a top plan view of the bottom side of the seating unit with base thereof.

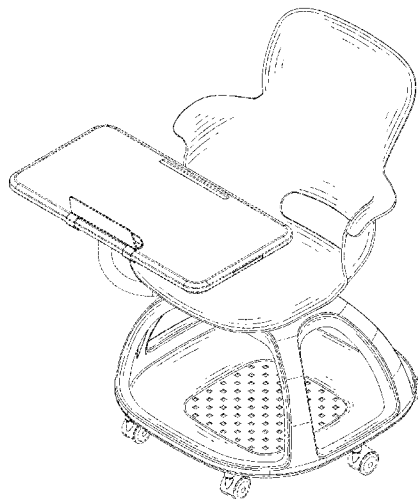
FIG. 7 is a bottom view of the bottom side of the seating unit with base thereof; and,

FIG. 8 is an exploded top, side right perspective assembly view of the seating unit with base thereof.

The broken line representations in the figures show unclaimed environment, and thus form no part of the claimed design.

The nature of this product is a seating unit with base for supporting a human in a seated position.

**1 Claim, 8 Drawing Sheets**



(56)

References Cited

U.S. PATENT DOCUMENTS

D332,703 S	1/1993	Gulliver	D586,135 S	2/2009	Lievore
D353,058 S	12/1994	Dallas	D587,916 S	3/2009	Bouroullec
D358,514 S	5/1995	Lovegrove	D588,371 S	3/2009	Picco
D383,927 S	9/1997	Vassallo	D591,537 S	5/2009	Zhang
D398,452 S	9/1998	Reddig	D592,870 S	5/2009	Jauregui
D410,128 S	5/1999	Dallas	D592,876 S	5/2009	Smith et al.
D427,812 S	7/2000	Donnelly	D596,871 S	7/2009	Farber
D428,713 S	8/2000	Arko et al.	D600,035 S	9/2009	Jauregui
D443,991 S	6/2001	Picotti	D600,052 S	9/2009	Smith et al.
D447,651 S	9/2001	Ooyama et al.	D600,458 S	9/2009	Starck
D456,186 S	4/2002	Liu	D600,464 S	9/2009	Jauregui
D456,647 S	5/2002	Whiteside et al.	D607,225 S	1/2010	Bauchet
D457,019 S	5/2002	Liu	D609,037 S	2/2010	Miller et al.
D460,871 S	7/2002	Opsvik	D611,261 S	3/2010	Igarashi
D461,325 S	8/2002	Opsvik	D612,640 S	3/2010	Noiseux
D477,921 S	8/2003	Bosman et al.	D614,415 S	4/2010	Konno
D477,925 S	8/2003	Lucci	D618,922 S	7/2010	Fuchs
D481,889 S	11/2003	Ciabatti	D625,931 S	10/2010	Estrup
D495,536 S	9/2004	Lucht	D636,612 S	4/2011	Overthun et al.
D497,261 S	10/2004	Epp et al.	D636,613 S	4/2011	Overthun et al.
D513,892 S	1/2006	Glass et al.	D640,878 S	7/2011	Huang et al.
D157,336 S	3/2006	Nils-Erik Engelstad	D646,085 S	10/2011	Overthun et al.
D517,336 S	3/2006	Engelstad	D646,497 S	10/2011	Overthun et al.
D524,069 S	7/2006	Lim	D647,316 S	10/2011	Kim
D531,419 S	11/2006	Whiteside	D648,560 S	11/2011	Sandona
D531,423 S	11/2006	Whiteside	D649,802 S	12/2011	Breinholt
D535,838 S	1/2007	Ritch et al.	D650,185 S	12/2011	Hsu
D554,382 S	11/2007	Nobles et al.	D652,657 S	1/2012	Behar et al.
D555,380 S *	11/2007	Farber et al. .... D6/375	D654,712 S	2/2012	Wilson et al.
D560,918 S	2/2008	Fuksas	D655,099 S	3/2012	Werner
D562,019 S	2/2008	Lievore	D656,755 S	4/2012	Wanders
D566,412 S	4/2008	Van Severen	D657,152 S	4/2012	Lievore et al.
D566,978 S	4/2008	Gonzalez	D657,582 S	4/2012	Wilson et al.
D569,115 S	5/2008	McCoy et al.	D657,583 S	4/2012	Wilson et al.
D570,125 S	6/2008	Gonzalez	D660,054 S	5/2012	Kane
D572,029 S	7/2008	Bouroullec	D660,055 S	5/2012	Kane
D572,914 S	7/2008	Overthun	D660,540 S	5/2012	Thompson et al.
D573,323 S	7/2008	Vargas	D661,914 S	6/2012	Paulin
D573,363 S	7/2008	Pillet	D667,243 S *	9/2012	Su ..... D6/500
D573,806 S	7/2008	Pillet	D671,762 S	12/2012	Azambourg
D578,786 S	10/2008	Cantarutti	D677,476 S *	3/2013	Crawford ..... D6/334
D579,224 S	10/2008	Fancelli	D679,517 S	4/2013	Corcorran et al.
D579,677 S	11/2008	Zhou et al.	D679,523 S	4/2013	Corcorran et al.
D581,688 S	12/2008	Miller et al.	D679,524 S	4/2013	Corcorran et al.
D584,521 S	1/2009	Massaud	D679,525 S *	4/2013	Corcorran et al. .... D6/716
D584,901 S	1/2009	Massaud	D679,923 S	4/2013	Corcorran et al.
D585,206 S	1/2009	Mourgue	D689,723 S	9/2013	Corcorran et al.
D585,207 S	1/2009	Bauchet	D690,143 S	9/2013	Corcorran et al.
D585,656 S	2/2009	Massaud	D690,974 S *	10/2013	Pollack ..... D6/716
D585,657 S	2/2009	Massaud	8,696,056 B2 *	4/2014	Corcorran et al. .... 297/170
			D709,296 S *	7/2014	Starck ..... D6/375
			D709,297 S *	7/2014	Starck ..... D6/375

\* cited by examiner

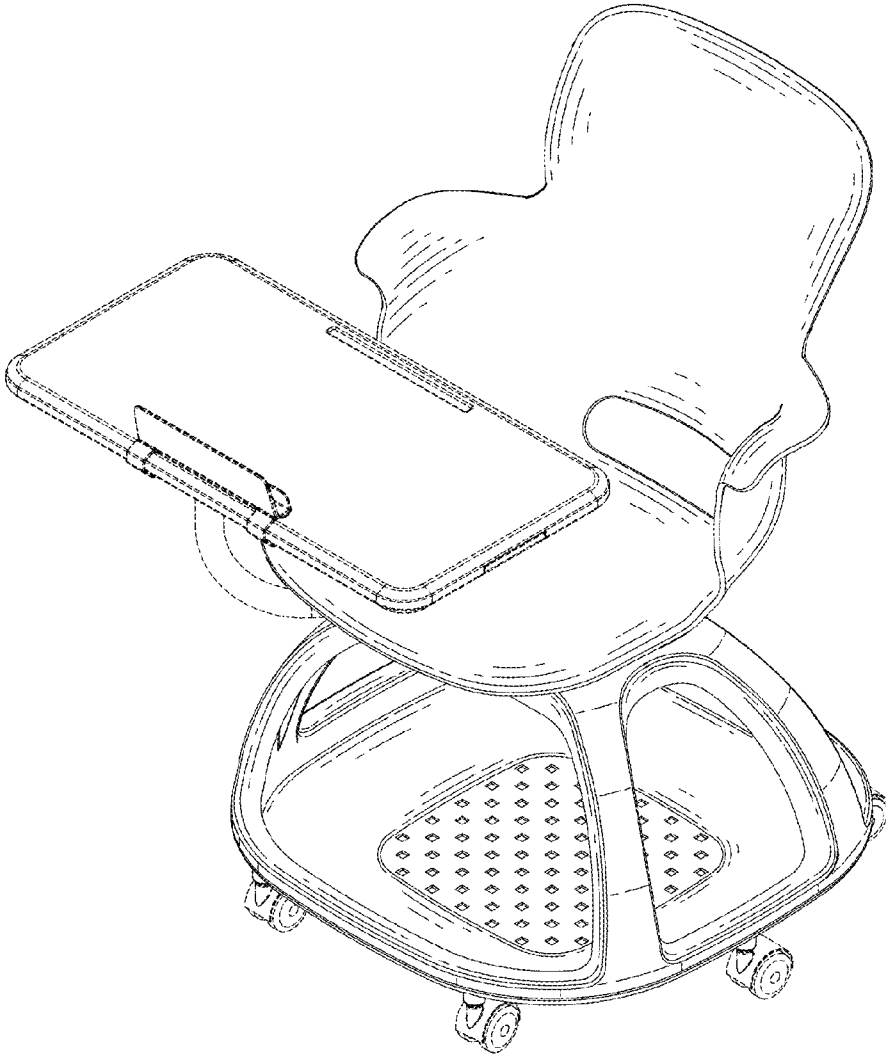


FIG. 1

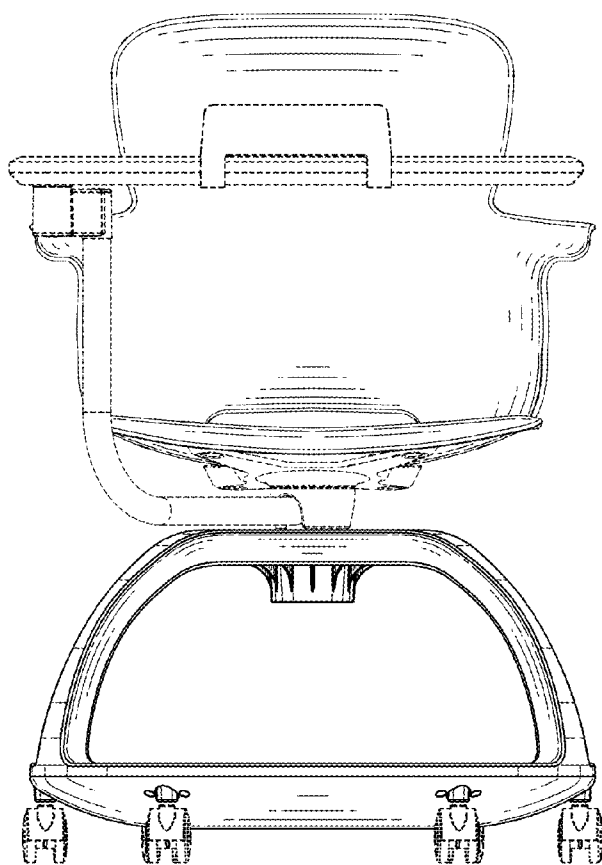


FIG. 2

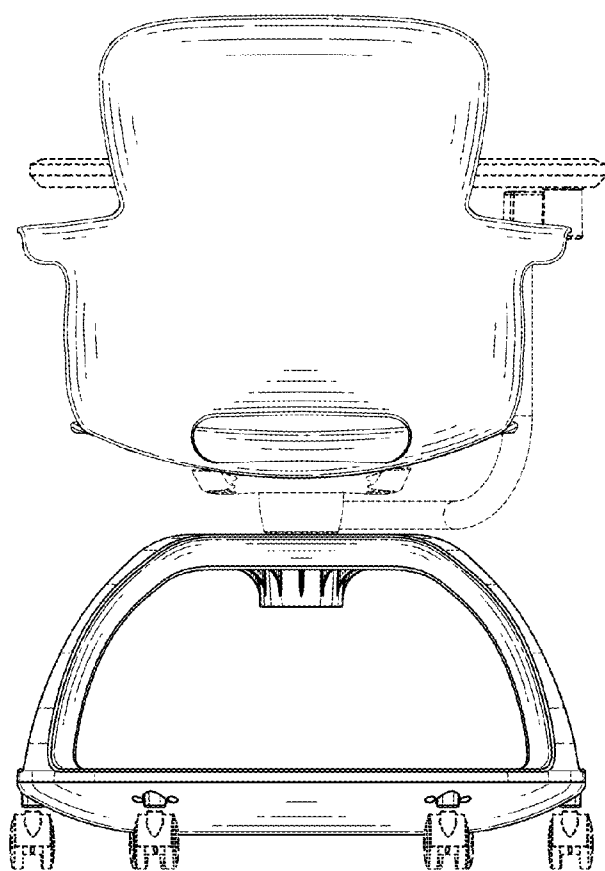


FIG. 3

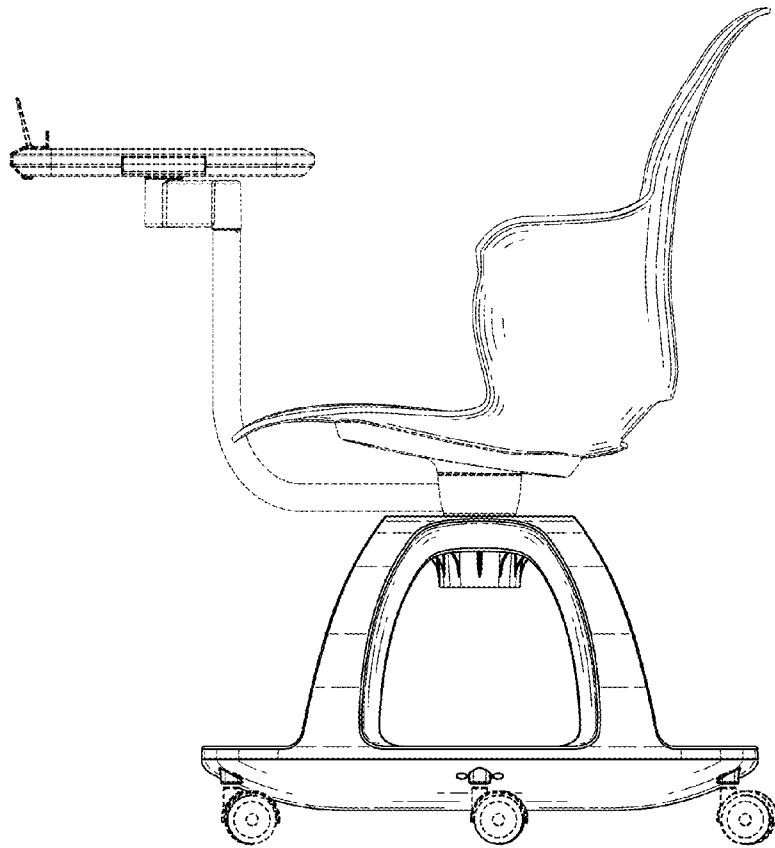


FIG. 4

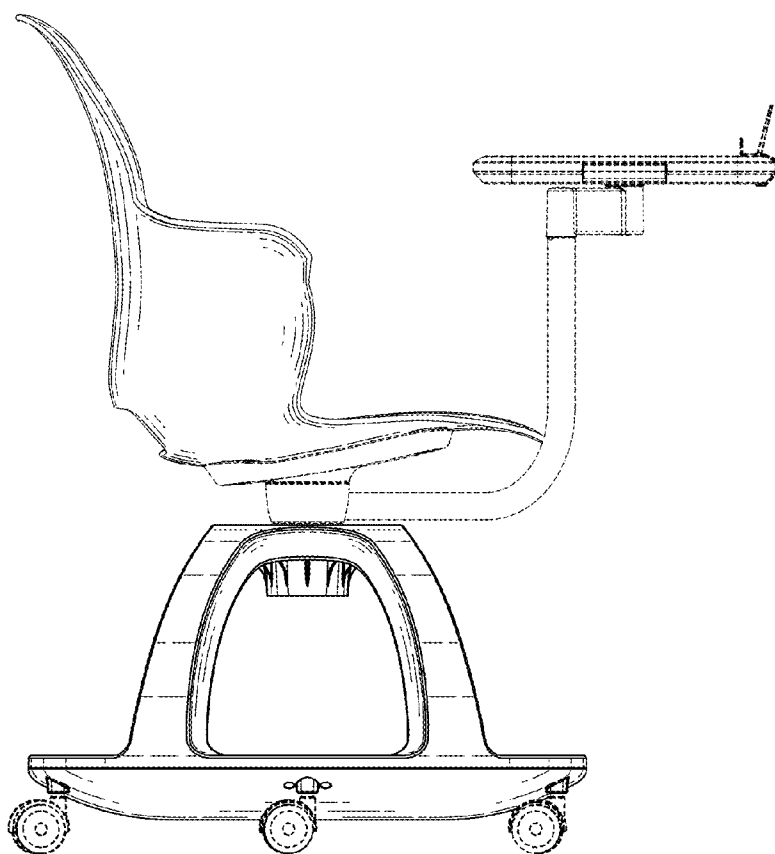


FIG. 5

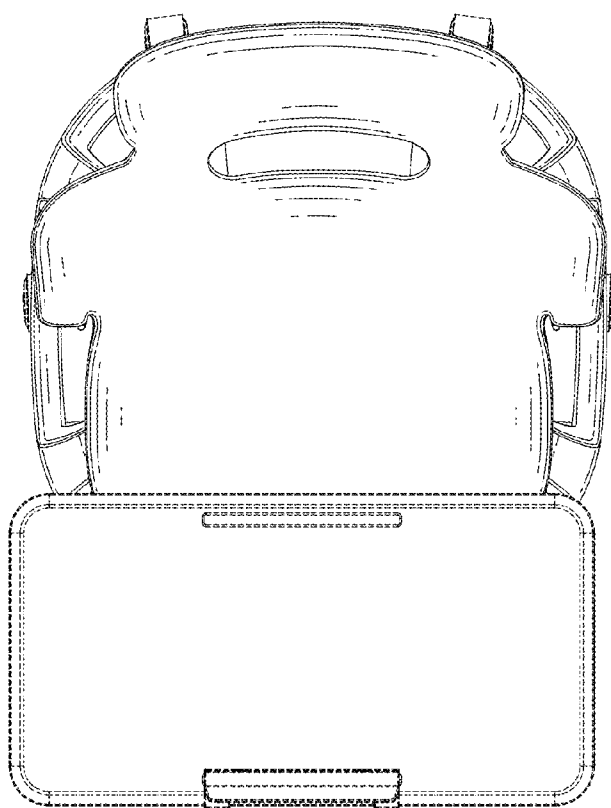


FIG. 6

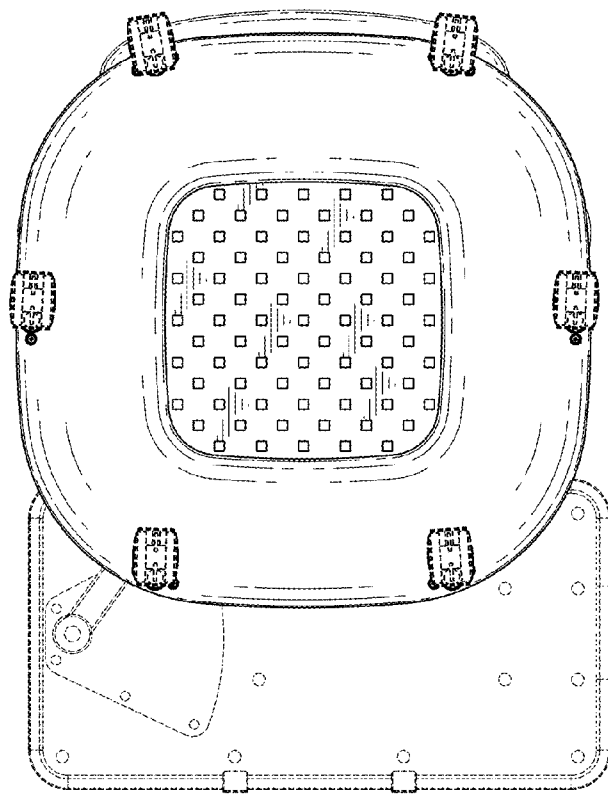


FIG. 7

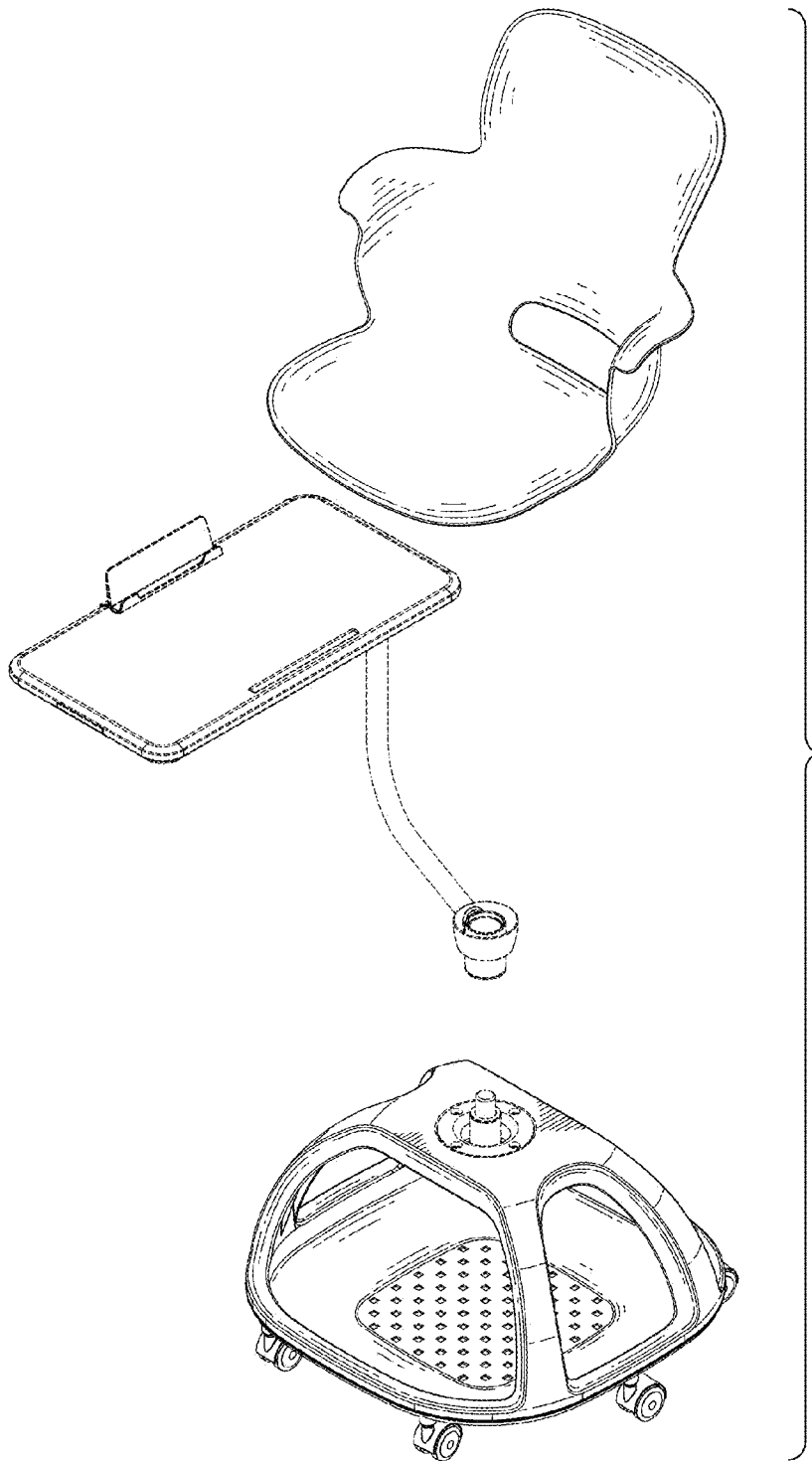


FIG. 8