



US00D960562S

(12) **United States Design Patent** (10) **Patent No.:** **US D960,562 S**
Lee et al. (45) **Date of Patent:** **** Aug. 16, 2022**

(54) **SLEEVE** D886,453 S 6/2020 Wright et al.
 (71) Applicant: **Doria International Inc**, Los Angeles, CA (US) D888,037 S 6/2020 Wright et al.
 D888,043 S 6/2020 Wright et al.
 D888,663 S * 6/2020 Weng D13/108
 D891,434 S 7/2020 Lee et al.
 (72) Inventors: **Edmund Lee**, Encino, CA (US); **Allen Liu**, Rancho Cucamonga, CA (US); **Felix Tsoi**, Rowland Heights, CA (US) D892,497 S 8/2020 Wright et al.
 D892,498 S 8/2020 Wright et al.
 D892,499 S * 8/2020 Wright D14/217
 D893,166 S 8/2020 Lu
 D897,997 S 10/2020 Zhang
 D901,177 S 11/2020 Wei
 (73) Assignee: **Doria International Inc**, Los Angeles, CA (US) D902,854 S 11/2020 Feng
 D904,005 S 12/2020 Jung
 (**) Term: **15 Years** (Continued)

(21) Appl. No.: **29/820,373**

(22) Filed: **Dec. 21, 2021**

Related U.S. Application Data

(62) Division of application No. 29/723,237, filed on Feb. 5, 2020, now Pat. No. Des. 941,023.

(51) **LOC (13) Cl.** **03-01**

(52) **U.S. Cl.**
USPC **D3/218; D3/300**

(58) **Field of Classification Search**
USPC D3/201, 208, 212, 218, 273, 274, 294, D3/302; D14/223, 496; D13/118, 108
CPC H04R 1/1025; A45C 2011/001
See application file for complete search history.

(56) **References Cited**

U.S. PATENT DOCUMENTS

D664,352 S 7/2012 Shamon
 D815,082 S 4/2018 Kim
 D869,161 S 12/2019 Zhong
 D872,094 S * 1/2020 Wright D14/440
 D872,723 S 1/2020 Lee et al.
 D872,724 S 1/2020 Lee et al.
 D881,181 S 4/2020 Wright et al.
 D881,867 S 4/2020 Lee et al.
 D882,259 S 4/2020 Liu

OTHER PUBLICATIONS

Amazon, "Case-Mate Pelican—AirPods Pro—Protector Series Case—Waterproof . . .", first on sale May 28, 2020, <URL: <https://www.amazon.com/Case-Mate-Pelican-Protector-Waterproof-Protection/dp/B089B5ZW6L>>, (Year: 2020), 10 pages.

(Continued)

Primary Examiner — April Rivas
(74) *Attorney, Agent, or Firm* — Sheppard, Mullin, Richter & Hampton LLP

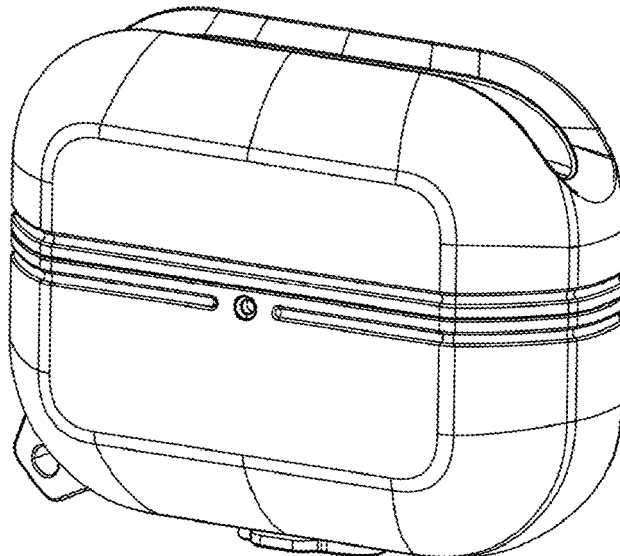
(57) **CLAIM**

We claim the ornamental design for a sleeve, substantially as shown and described.

DESCRIPTION

FIG. 1 is a front perspective view of a sleeve in accordance with an embodiment of the present design;
 FIG. 2 is a front view thereof;
 FIG. 3 is a back view thereof
 FIG. 4 is a right view thereof;
 FIG. 5 is a left view thereof;
 FIG. 6 is a top view thereof; and,
 FIG. 7 is a bottom view thereof.

1 Claim, 7 Drawing Sheets



(56)

References Cited

U.S. PATENT DOCUMENTS

D904,755	S	12/2020	Birger	
D904,765	S *	12/2020	Hyun	D13/103
D905,430	S	12/2020	Kwak et al.	
10,863,807	B1 *	12/2020	Wright	A45C 11/00
D907,049	S	1/2021	Yu	
D911,706	S	3/2021	Hyun	
D911,711	S *	3/2021	Feng	D3/294
D912,390	S *	3/2021	Hyun	D3/273
D914,603	S *	3/2021	Wang	D3/321
D914,604	S	3/2021	Wang	
D920,662	S *	6/2021	Youn	D3/218
D927,182	S *	8/2021	Hyun	D14/440
D933,351	S *	10/2021	Armstrong	D3/273
D941,023	S *	1/2022	Lee	D3/218
2007/0051766	A1	3/2007	Spencer	
2007/0235493	A1	10/2007	Fortson	
2007/0256946	A1	11/2007	Godshaw et al.	
2017/0251793	A1	9/2017	Barratt	
2020/0100573	A1	4/2020	Ekelund	
2021/0085047	A1	3/2021	Wright et al.	
2021/0345742	A1 *	11/2021	Wright	A45C 13/1084

OTHER PUBLICATIONS

Best Buy, “Raptic—Journey Protective Case for Apple AirPods Pro—Red”, first reviewed Mar. 1, 2020, <URL: <https://www.bestbuy.com/site/raptic-journey-protective-case-for-apple-airpods-pro-red/6399727.p?skuId=6399727>>, (Year: 2020), 9 pages.

Best Buy, “Raptic—Journey Protective Case for Apple AirPods—Black”, first reviewed Apr. 4, 2020, <URL: <https://www.bestbuy.com/site/raptic-journey-protective-case-for-apple-airpods-black/6399724.p?skuId=6399724>>, (Year: 2020), 8 pages.

Raptic Trek, Apple AirPods 1 & 2 Case, announced Jan. 30, 2019 [online], [Site visited Mar. 22, 2021], available from internet <URL: <https://www.amazon.com/Defense-Machined-Aluminum-Polycarbonate-Protective/dp/B07RDZSKZ5>> (Year: 2019), 1 page.

Raptic Trek Series, Apple AirPods Pro Case, announced Jan. 28, 2020 [online], [Site visited Mar. 22, 2021], available from internet <URL: <https://www.amazon.com/Defense-Machined-Aluminum-Polycarbonate-Protective/dp/B082MT91YX?th=1>> (Year: 2020), 1 page.

U.S. Trademark Registration No. 6,182,671, registered Oct. 27, 2020, owned by Catalyst Lifestyle Limited (Hong Kong Corporation), 2 pages.

* cited by examiner

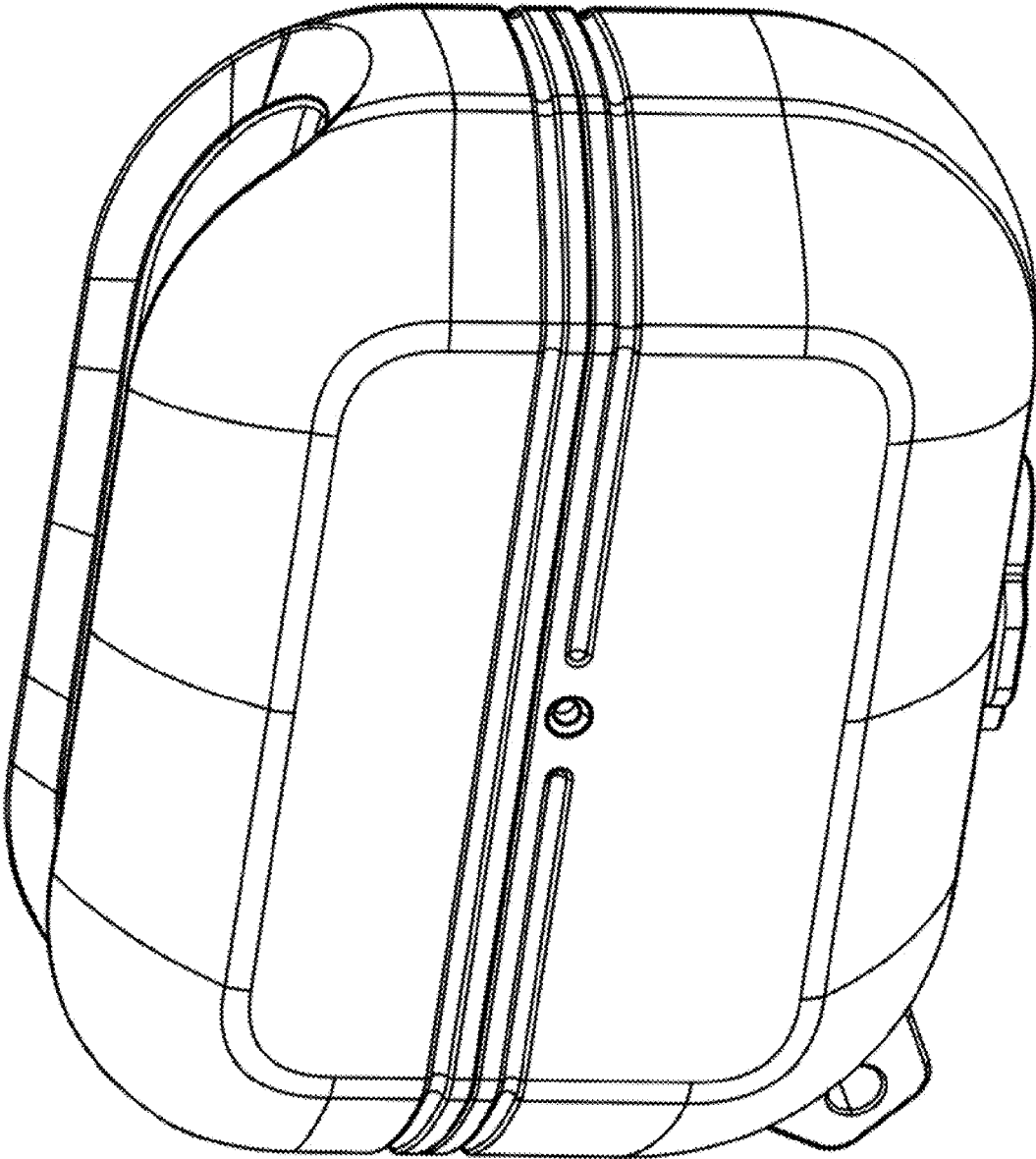


FIG. 1

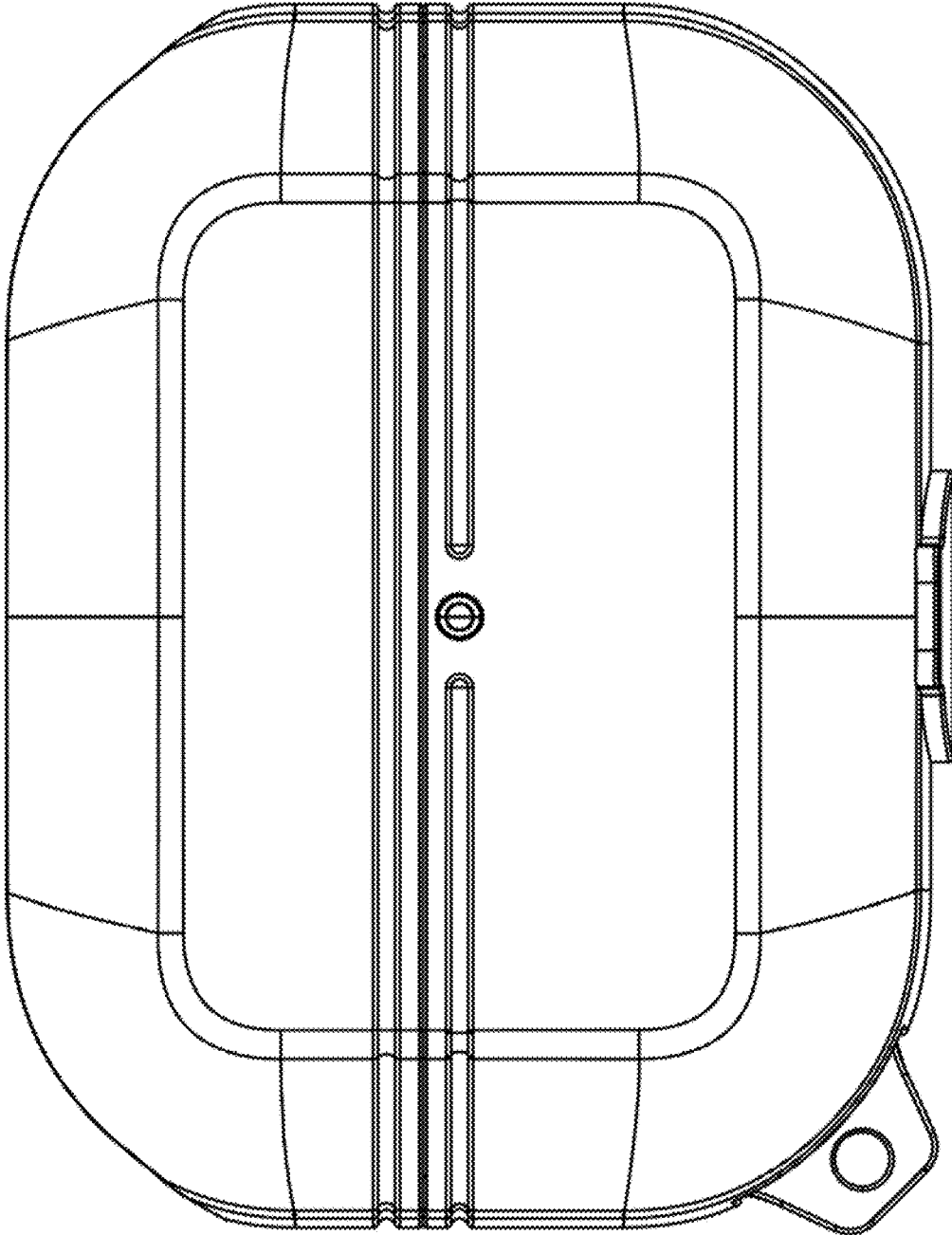


FIG. 2

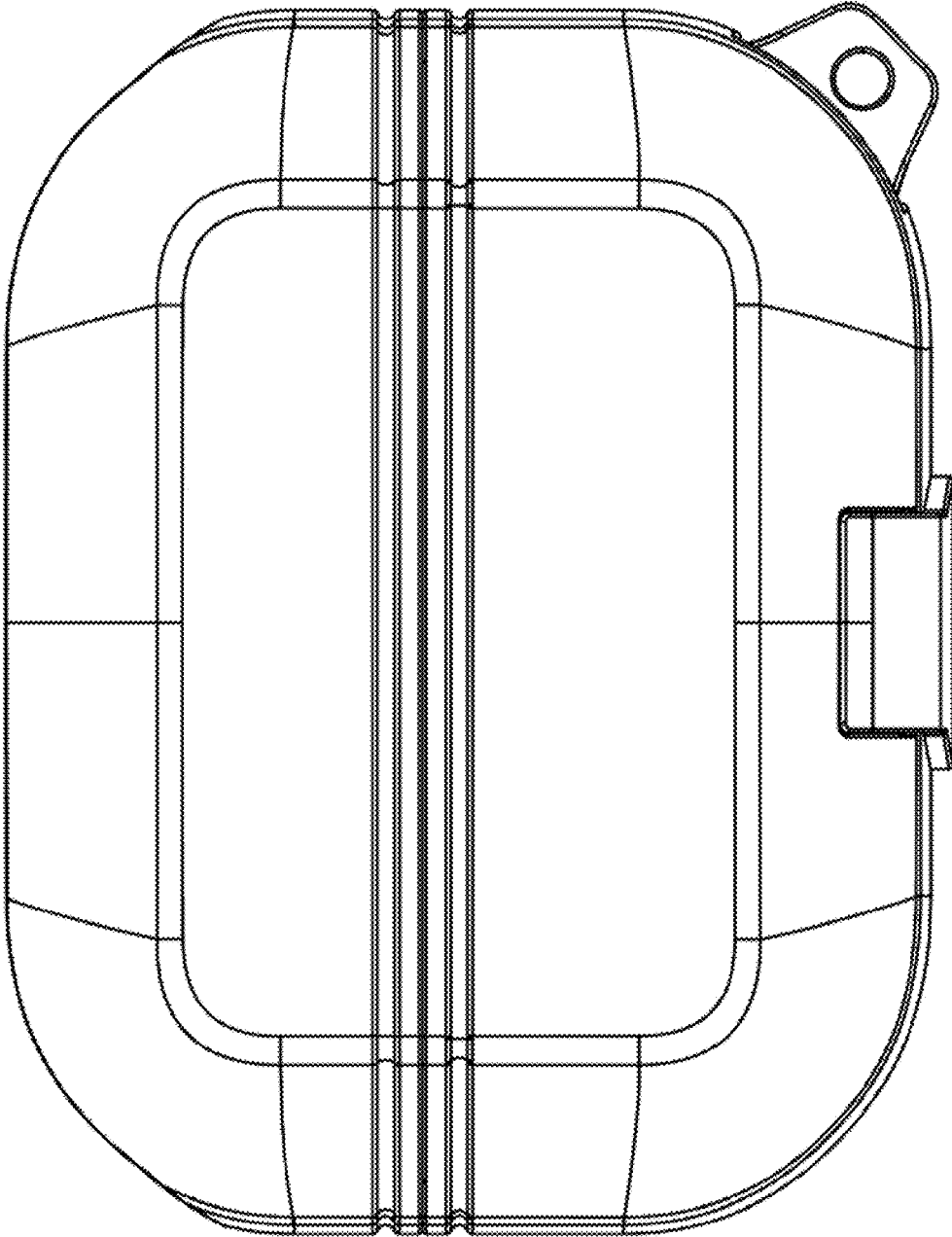


FIG. 3

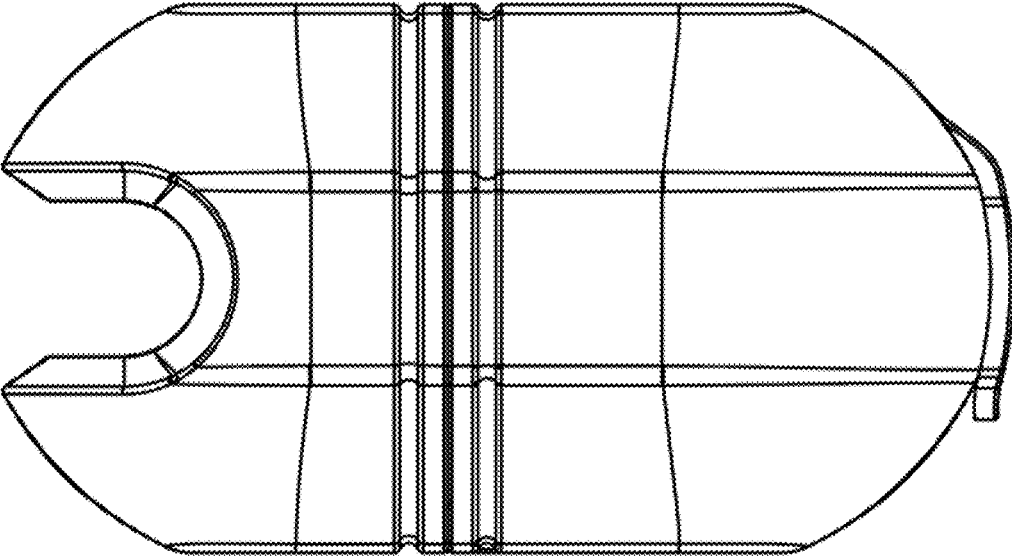


FIG. 4

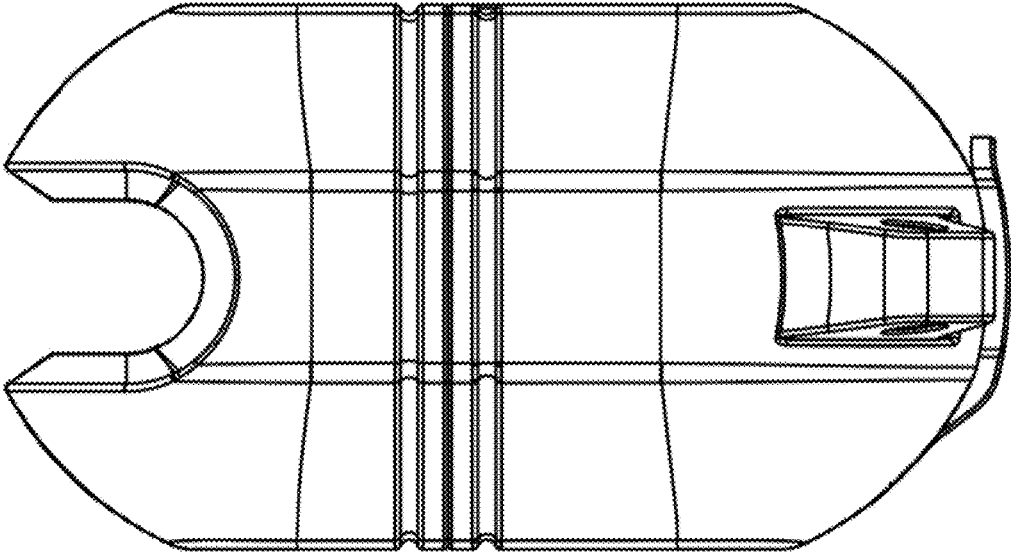


FIG. 5

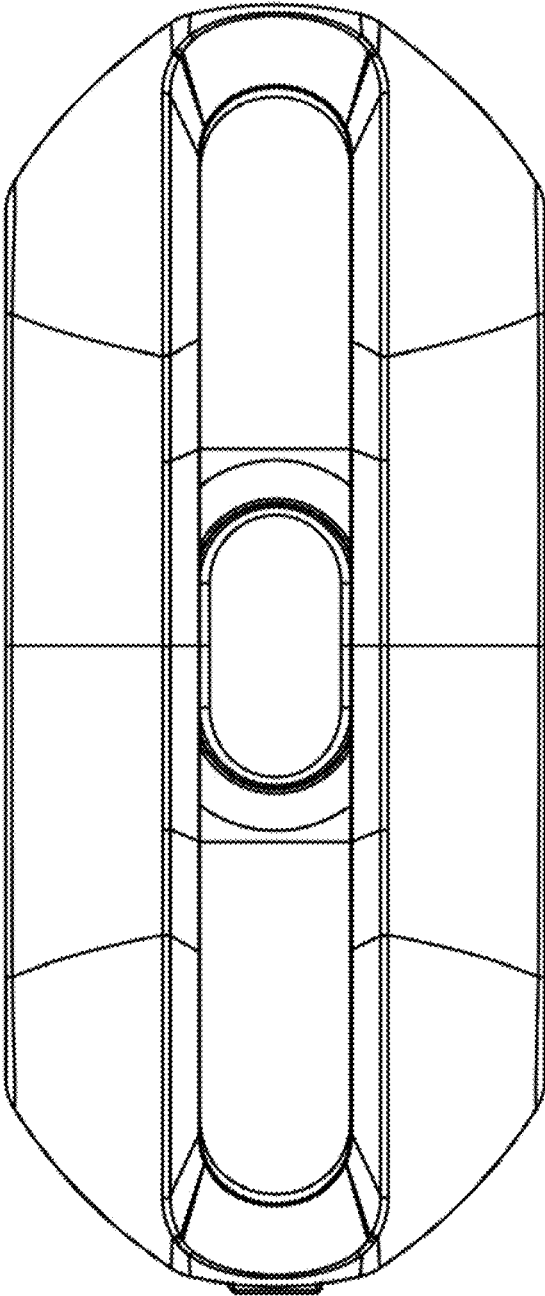


FIG. 6

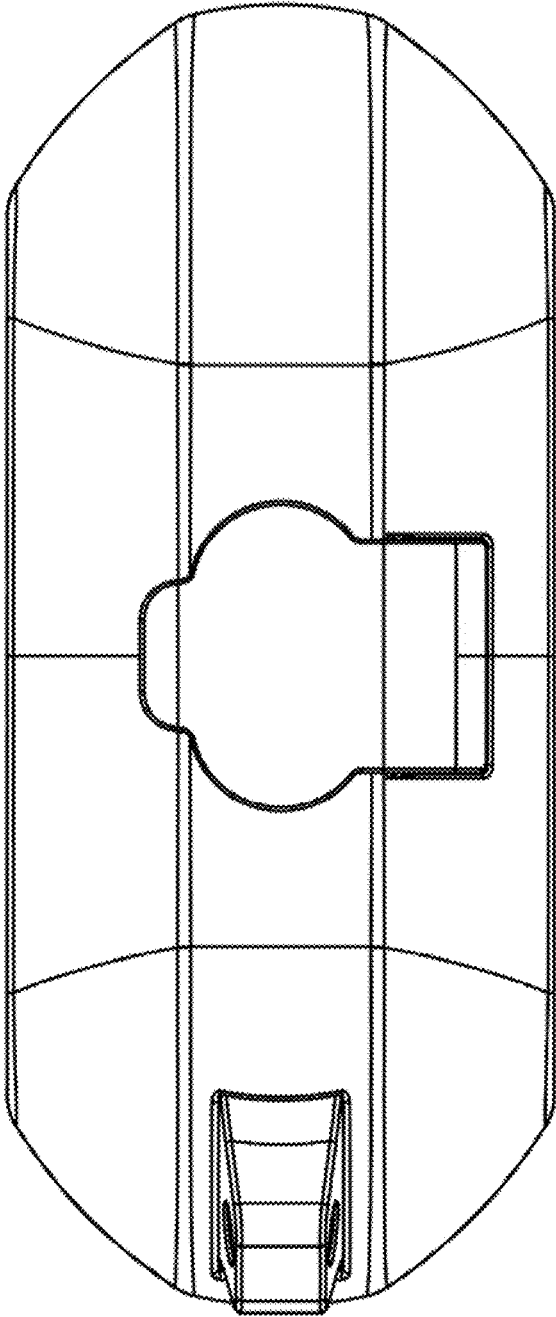


FIG. 7