



US0D1007196S

(12) **United States Design Patent**
Chang

(10) **Patent No.:** **US D1,007,196 S**

(45) **Date of Patent:** **** Dec. 12, 2023**

(54) **PILLOW**

(71) Applicant: **Hsiu-Ming Chang**, Tainan (TW)

(72) Inventor: **Hsiu-Ming Chang**, Tainan (TW)

(73) Assignee: **TREKOLOGY LLC**, Sheridan, WY (US)

(**) Term: **15 Years**

(21) Appl. No.: **29/757,184**

(22) Filed: **Nov. 4, 2020**

(51) **LOC (14) Cl.** **06-01**

(52) **U.S. Cl.**
USPC **D6/601**; D6/604

(58) **Field of Classification Search**
USPC D6/595, 596, 601, 604, 606; D24/183, D24/184
CPC : A61H 7/00; A61H 9/00; A61H 15/00; A61H 23/00; A61H 39/04; A47G 9/10; A47G 9/1027; A47G 9/1081; A47G 9/109; A47G 2009/1018

See application file for complete search history.

(56) **References Cited**

U.S. PATENT DOCUMENTS

D591,097	S	*	4/2009	DeLong	D6/601
D709,303	S	*	7/2014	Velasco	D6/601
D946,308	S	*	3/2022	Rifelj	D6/601
2018/0140116	A1	*	5/2018	Werner	A47G 9/0253
2018/0332983	A1	*	11/2018	Son	A47G 9/1027

OTHER PUBLICATIONS

Hikenture Ultralight Camping Pillow, available in Amazon.com, first available date of Jul. 5, 2022, site visited on Mar. 11, 2023, URL: <https://www.amazon.com/dp/B0B5SYNZM7/> (Year: 2022).*

Hikenture Camping Pillow, available in Amazon.com, first available date of Jan. 17, 2020, site visited on Mar. 11, 2023, URL:<https://www.amazon.com/Hikenture-Camping-Pillow-Removable-Cover/dp/B083YZWZ2L?th=1> (Year: 2020).*

Leather Headrest Neck Pillow, available in the-evshop.com, site visited on Mar. 11, 2023, URL:<https://the-evshop.com/collections/headrest-pillows/products/leather-headrest-neck-pillow-for-tesla-model-3-y-neck-support-cushion-two-pieces> (Year: 2023).*

Senyazon Memory Foam Car Neck Pillow, available in Amazon.com, date first available of Oct. 21, 2022, site visited on Mar. 11, 2023, URL:<https://www.amazon.com/SENYAZON-Leather-Headrest-Support-Driving/dp/B0BK118N19?source=ps-sl-shoppingads-lpcontext&> (Year: 2022).*

* cited by examiner

Primary Examiner — Mary Ann Calabrese

Assistant Examiner — Mark David Wolfley

(57) **CLAIM**

The ornamental design for a pillow, as shown and described.

DESCRIPTION

FIG. 1 is a top perspective view of a pillow illustrating my new design;

FIG. 2 is a front view thereof;

FIG. 3 is a rear view thereof;

FIG. 4 is a left side view thereof;

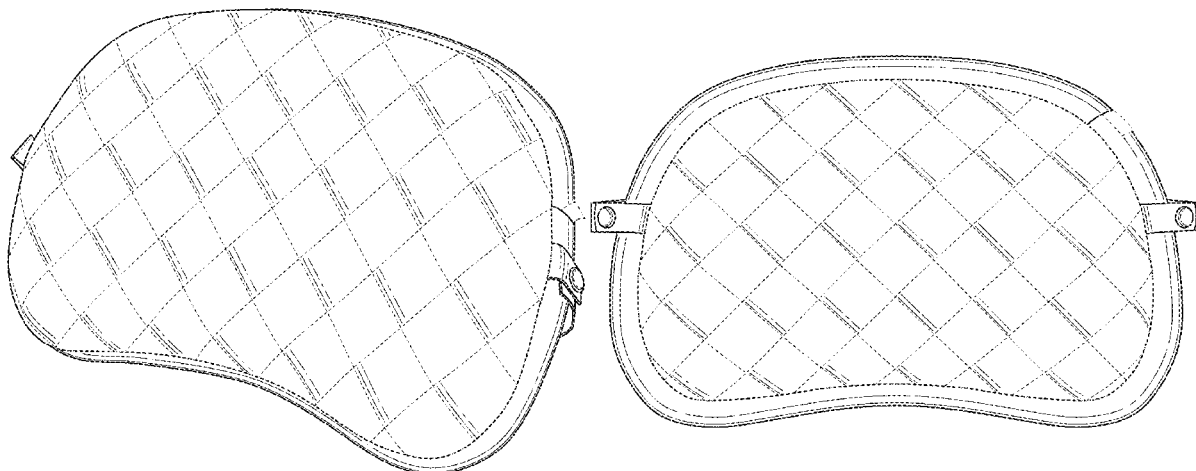
FIG. 5 is a right side view thereof;

FIG. 6 is a top view thereof; and,

FIG. 7 is a bottom view thereof.

The broken lines showing an air inlet valve and label in FIGS. 1, 3-7 are for illustrating environmental features and form no part of the claimed design. The dashed lines shown in FIGS. 1-7 represent stitching.

1 Claim, 7 Drawing Sheets



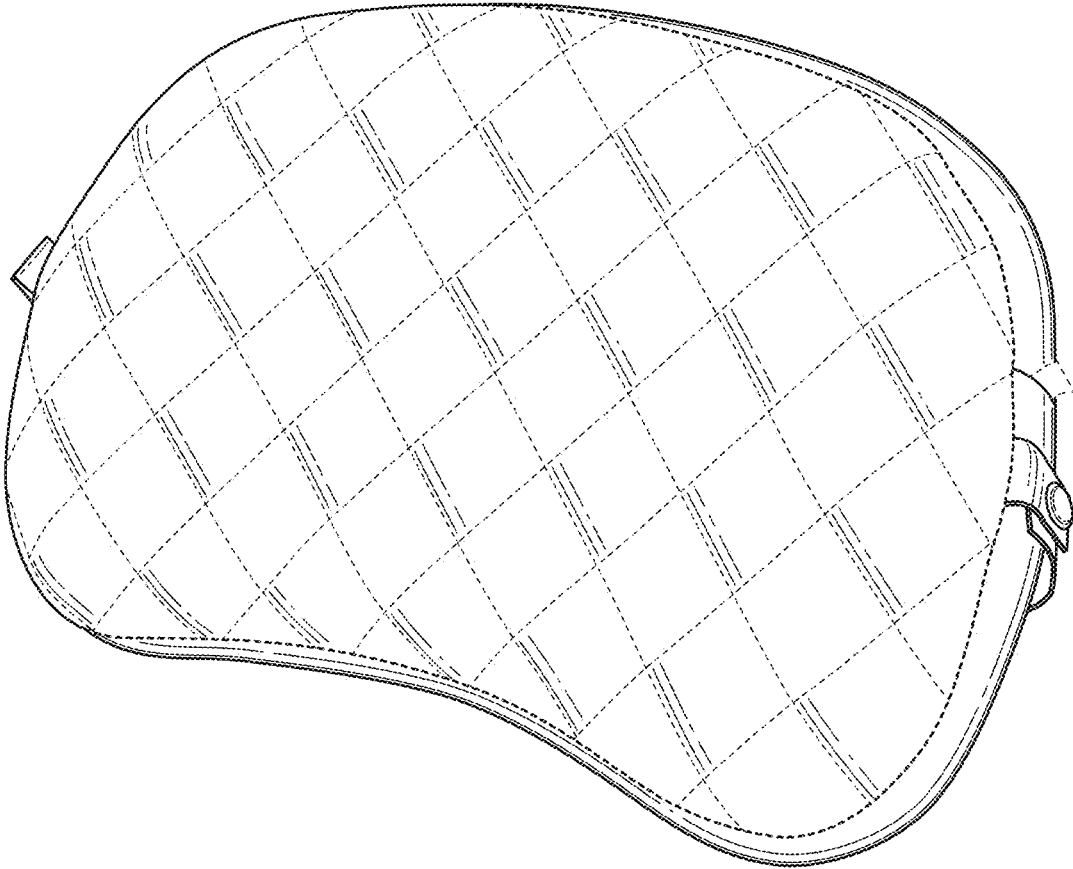


FIG. 1

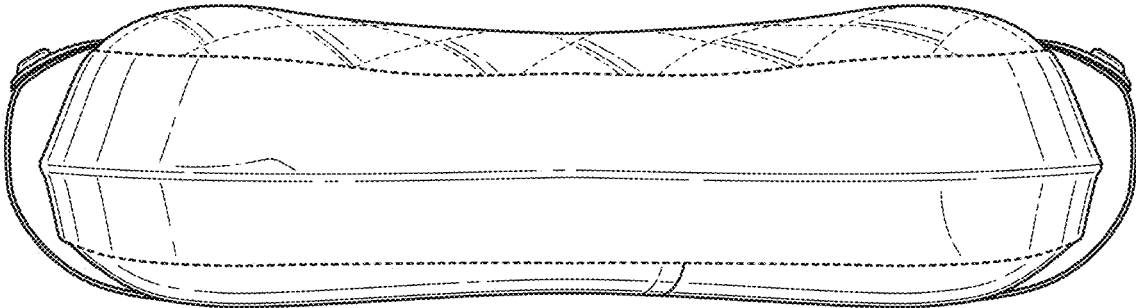


FIG. 2

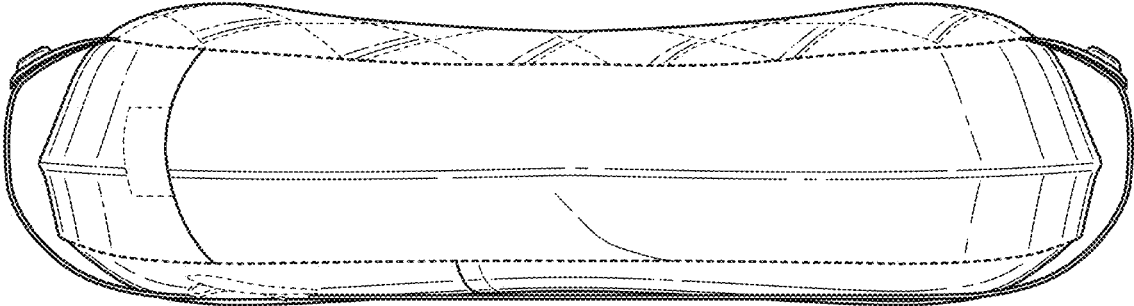


FIG. 3

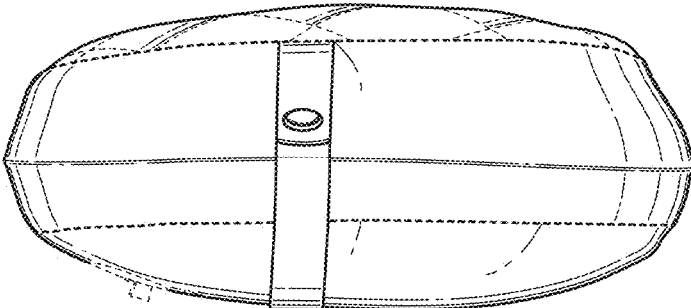


FIG. 4

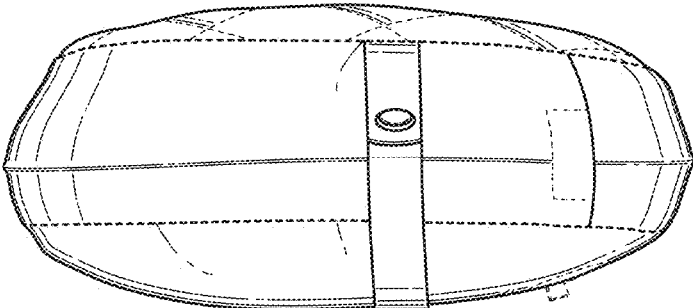


FIG. 5

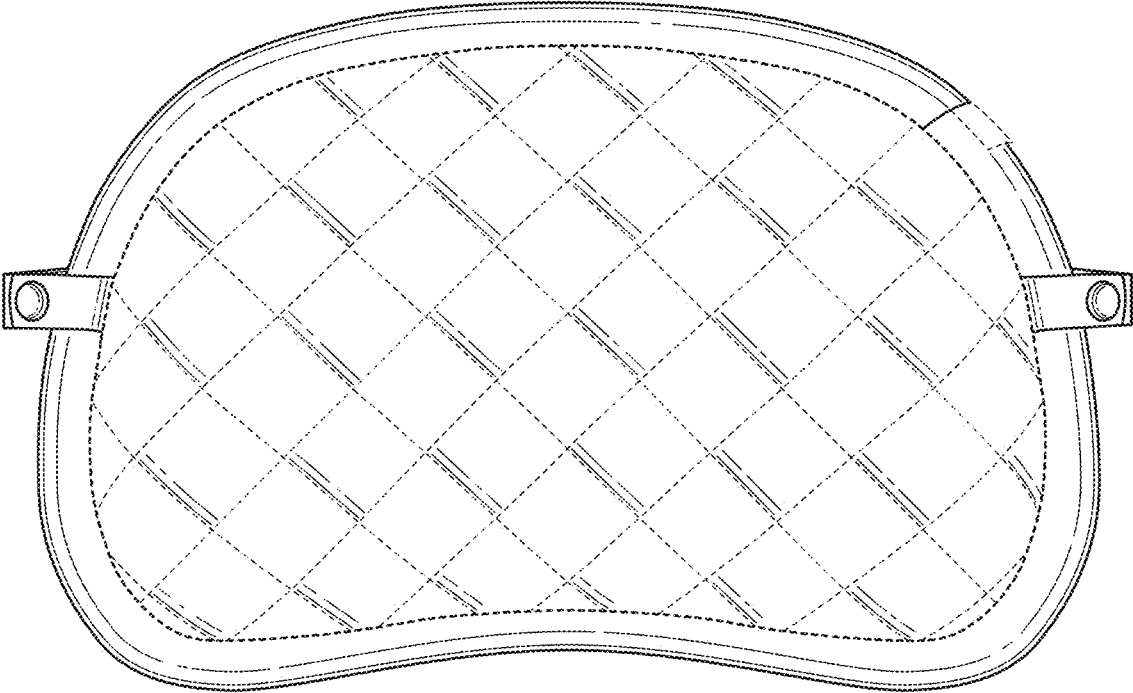


FIG. 6

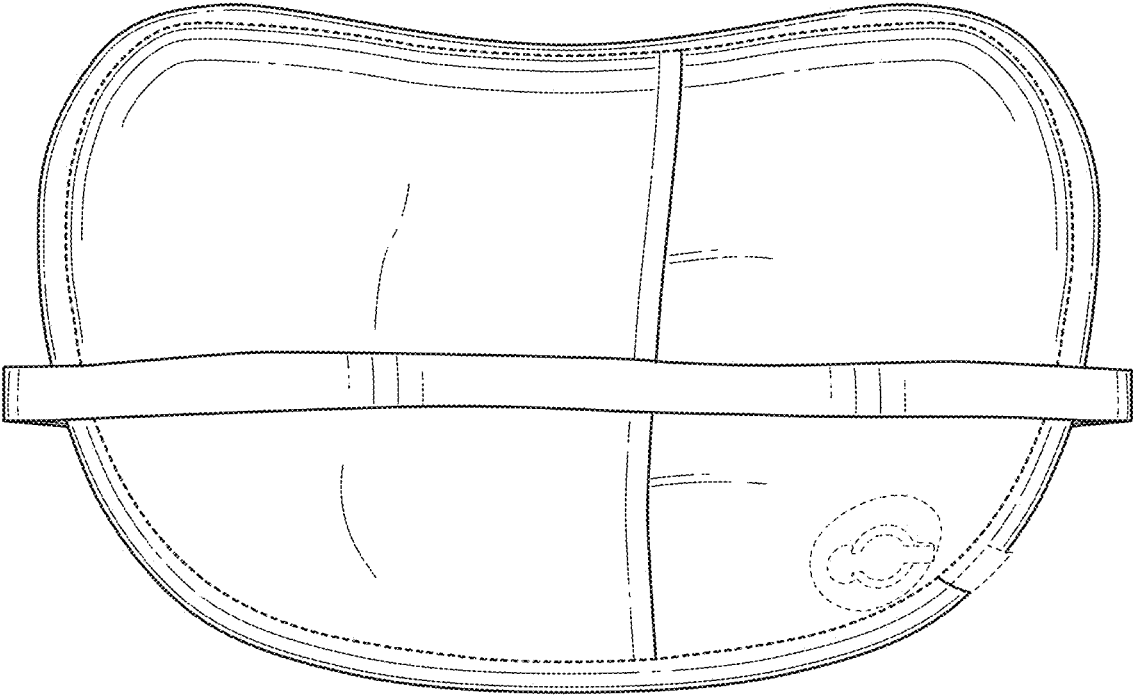


FIG. 7