



US00D476331S

(12) **United States Design Patent**  
**Park**

(10) **Patent No.:** **US D476,331 S**

(45) **Date of Patent:** **\*\* Jun. 24, 2003**

(54) **MONITOR**

D453,021 S \* 1/2002 Hasegawa et al. .... D14/371

(75) Inventor: **Sea La Park, Seoul (KR)**

\* cited by examiner

(73) Assignee: **LG Electronics Inc., Seoul (KR)**

*Primary Examiner*—Freda Nunn

(\*\*) Term: **14 Years**

(74) *Attorney, Agent, or Firm*—Birch, Stewart, Kolasch & Birch, LLP

(21) Appl. No.: **29/159,034**

(57) **CLAIM**

(22) Filed: **Apr. 16, 2002**

The ornamental design for a monitor, substantially as shown and described.

(30) **Foreign Application Priority Data**

**DESCRIPTION**

Oct. 16, 2001 (KR) ..... 2001-28837

(51) **LOC (7) Cl.** ..... **14-02**

(52) **U.S. Cl.** ..... **D14/371**

(58) **Field of Search** ..... D14/371, 125-129;  
345/104, 156, 168, 173; 348/180, 184,  
325, 739; 248/917-924; 349/1, 2, 11, 62

FIG. 1 is a perspective view of the monitor showing my new design;

FIG. 2 is a front elevational view thereof;

FIG. 3 is a rear elevational view thereof;

FIG. 4 is a left side elevational view thereof;

FIG. 5 is a right side elevational view thereof;

FIG. 6 is a top plan view thereof; and,

FIG. 7 is a bottom plan view thereof.

(56) **References Cited**

**U.S. PATENT DOCUMENTS**

D310,829 S \* 9/1990 Suyama et al. .... D14/382

**1 Claim, 4 Drawing Sheets**

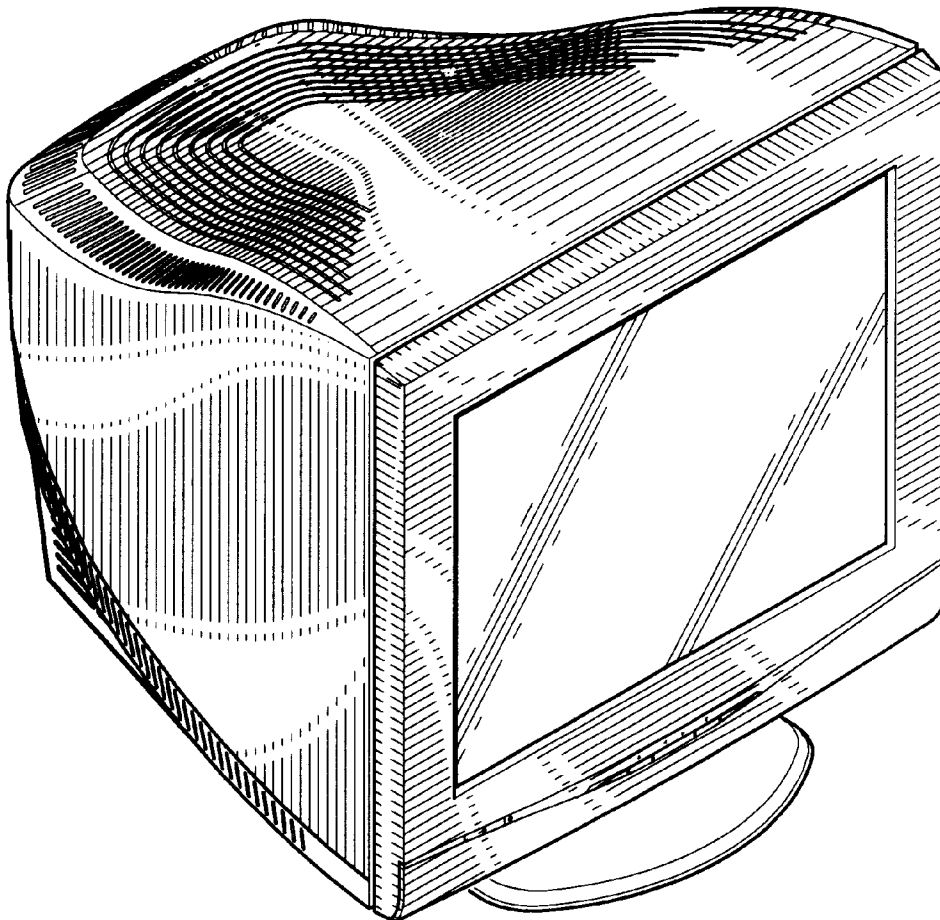


FIG. 1

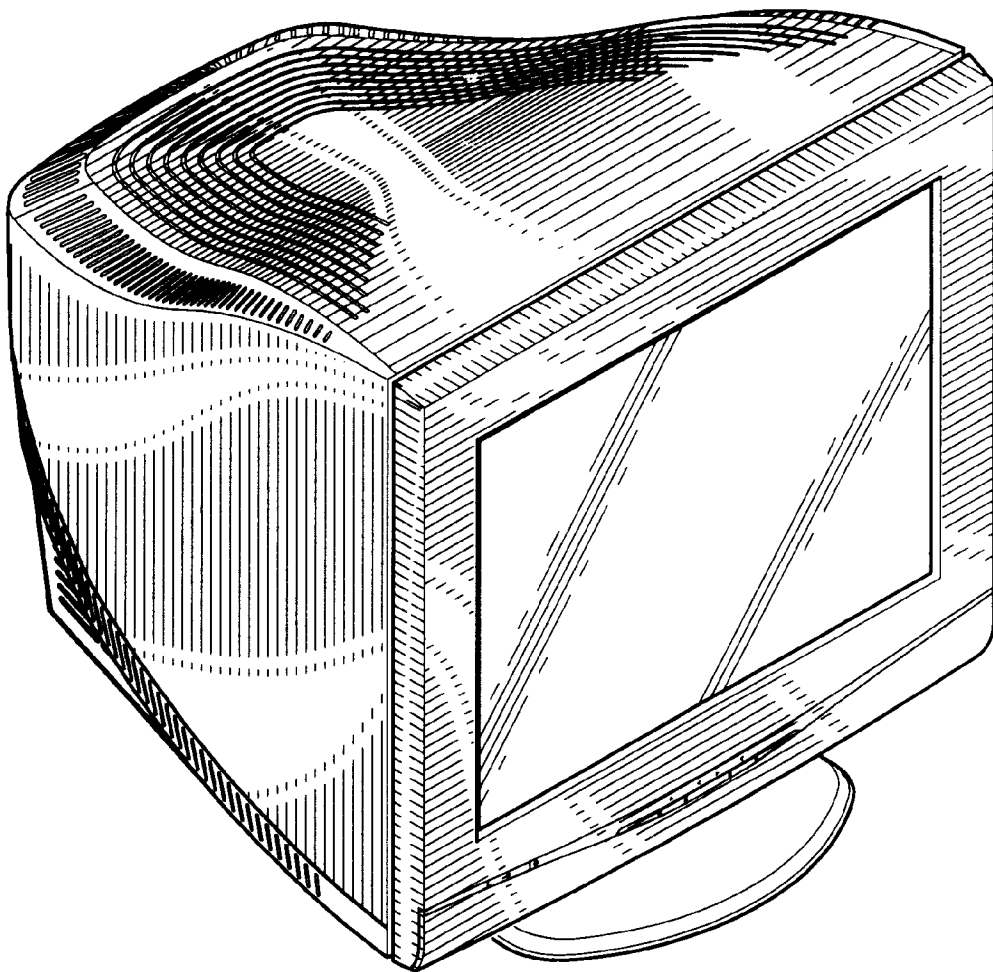


FIG. 2

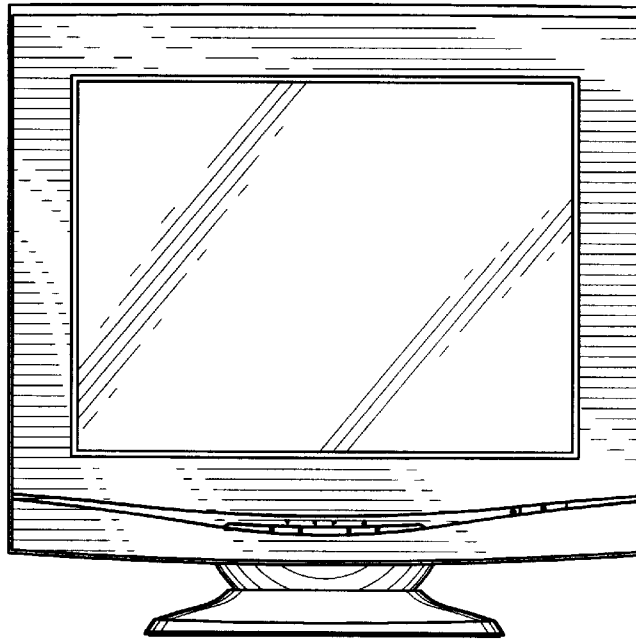


FIG. 3

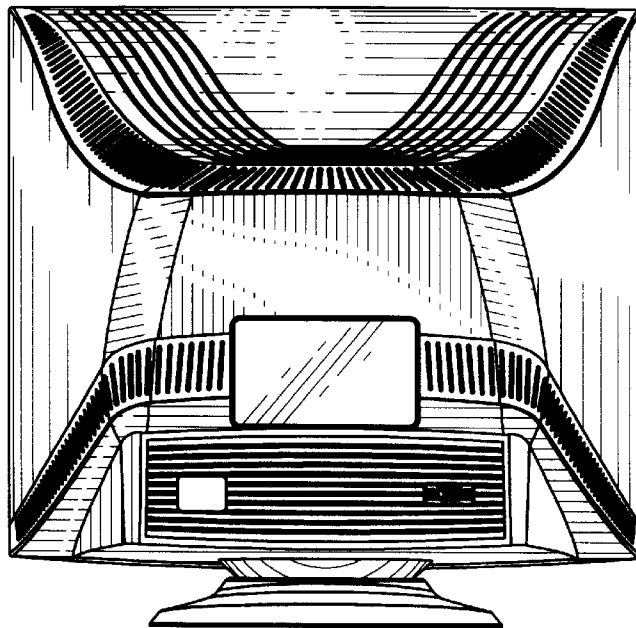


FIG. 4

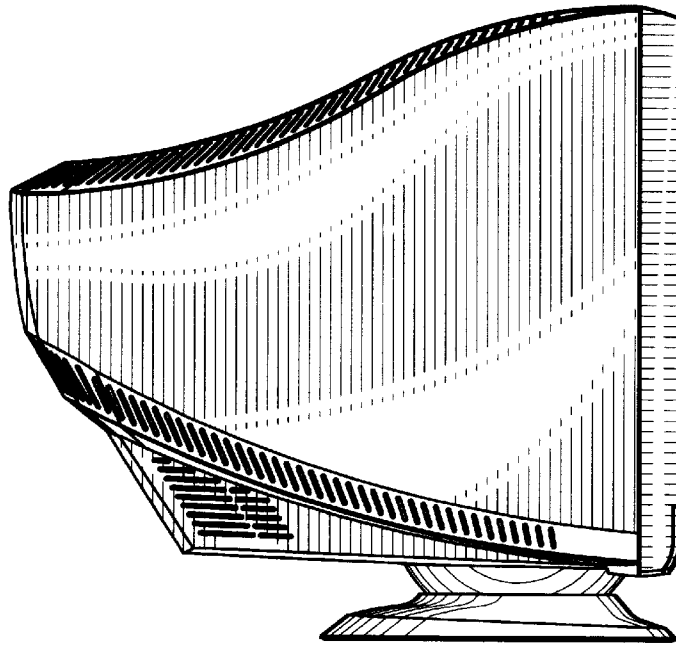


FIG. 5

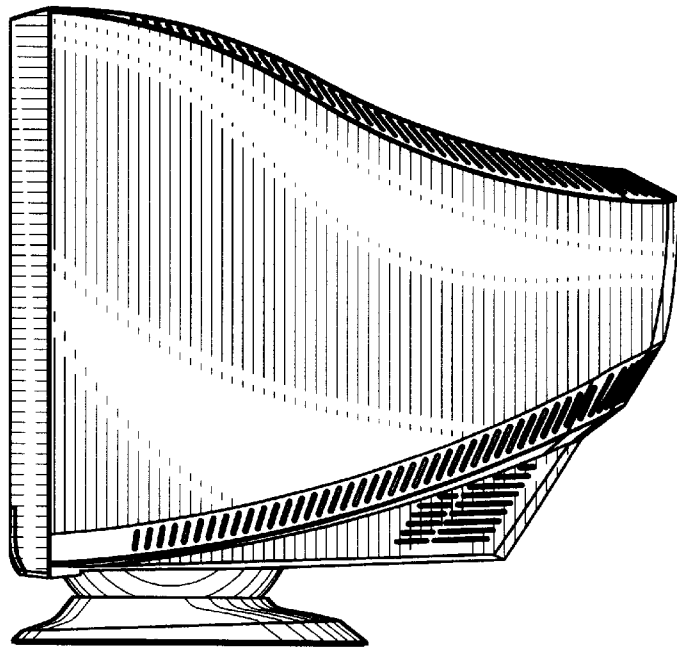


FIG. 6

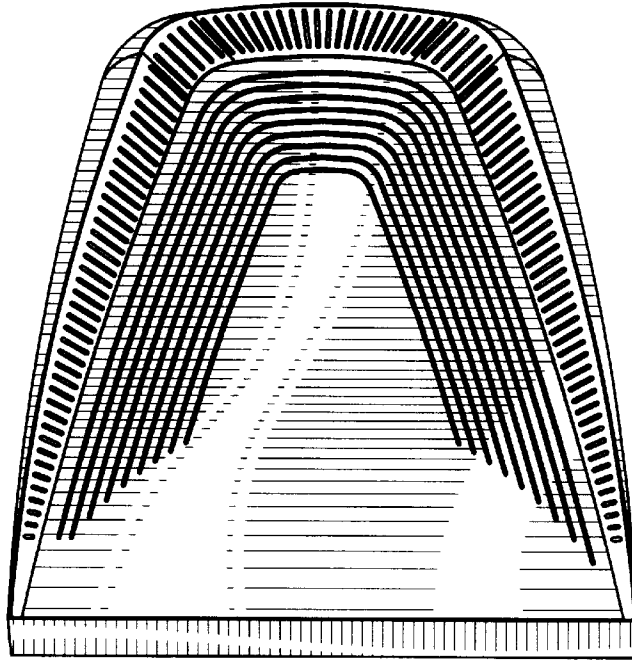


FIG. 7

