



(12) **United States Design Patent**  
**Capo**

(10) **Patent No.:** **US D996,992 S**  
(45) **Date of Patent:** **\*\* Aug. 29, 2023**

- (54) **LEVEL-CORRECTING GAUGE BLOCK**
- (71) Applicant: **Leo Capo**, Verona, NJ (US)
- (72) Inventor: **Leo Capo**, Verona, NJ (US)
- (\*\*) Term: **15 Years**
- (21) Appl. No.: **29/775,366**
- (22) Filed: **Mar. 23, 2021**
- (51) **LOC (14) Cl.** ..... **10-04**
- (52) **U.S. Cl.**  
USPC ..... **D10/64**
- (58) **Field of Classification Search**  
USPC ..... D10/64, 82; D24/140  
CPC ..... G01C 9/32; G01B 3/30  
See application file for complete search history.

5,604,989	A *	2/1997	Stevenson	.....	G01B 3/46
					33/506
D398,251	S *	9/1998	Martinez	.....	D10/64
6,094,831	A *	8/2000	Shigyo	.....	G01B 5/14
					33/542
6,115,930	A *	9/2000	Shigyo	.....	H04B 7/022
					33/542
6,862,815	B1	3/2005	Blouch		
D546,212	S *	7/2007	Rooney	.....	D10/64
D742,261	S *	11/2015	Halker	.....	D10/64
D787,671	S *	5/2017	Orr	.....	D24/140
9,683,826	B2	6/2017	Cupertino		
9,791,256	B1 *	10/2017	Beer	.....	E04F 21/0015
10,046,456	B2	8/2018	Byrt		
10,612,902	B2 *	4/2020	Granville	.....	G01B 3/04
11,009,333	B1 *	5/2021	Zamora	.....	G01B 3/56
D938,543	S *	12/2021	Coggins	.....	D10/64
11,486,688	B1 *	11/2022	Capo	.....	G01C 9/32
2007/0234483	A1 *	10/2007	Kunz	.....	B25D 1/00
					7/150

(Continued)

(56) **References Cited**

**U.S. PATENT DOCUMENTS**

386,469	A *	7/1888	Howard	.....	G01B 3/20
					33/542
697,701	A	4/1902	Ayer		
802,402	A	10/1905	Martin		
2,536,401	A *	1/1951	Victor	.....	G01B 3/30
					D10/64
2,846,772	A *	8/1958	Strausser	.....	G01B 3/30
					33/534
3,771,232	A *	11/1973	Specht	.....	G01C 9/00
					33/375
D287,475	S *	12/1986	Jordan	.....	D10/64
D294,470	S *	3/1988	Jordan	.....	D10/64
4,997,368	A *	3/1991	Mayer	.....	A61C 19/04
					33/514
5,199,180	A *	4/1993	Yablonsky	.....	G01B 3/30
					D10/64
D341,544	S *	11/1993	Zaslavsky	.....	D10/64
5,473,966	A *	12/1995	Cordon	.....	A61K 9/703
					83/56

**FOREIGN PATENT DOCUMENTS**

WO 2017120665 7/2017

*Primary Examiner* — George D. Kirschbaum  
*Assistant Examiner* — Lillian Windham

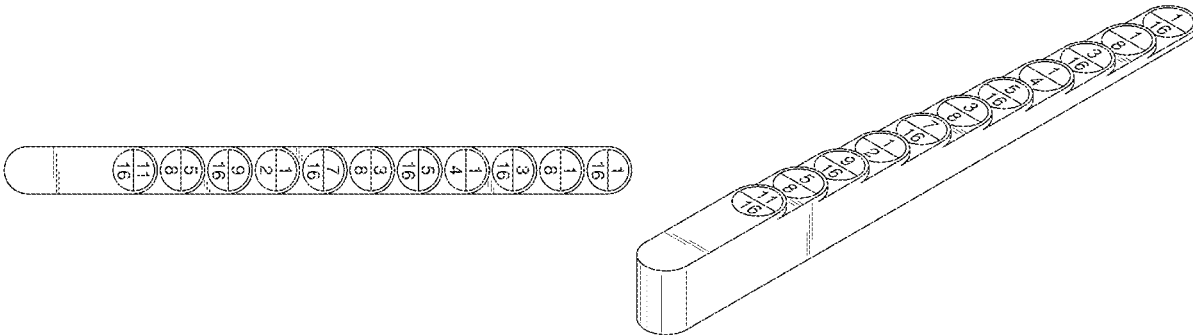
(57) **CLAIM**

I claim the ornamental design for a level-correcting gauge block, as shown and described.

**DESCRIPTION**

FIG. 1 is a left side view of the level-correcting gauge block. FIG. 2 is a right side view of the claimed design. FIG. 3 is a top view of the claimed design. FIG. 4 is a bottom view of the claimed design. FIG. 5 is a front view of the claimed design. FIG. 6 is a rear view of the claimed design; and, FIG. 7 is a perspective view of the claimed design.

**1 Claim, 4 Drawing Sheets**



(56)

**References Cited**

U.S. PATENT DOCUMENTS

2013/0125407	A1*	5/2013	Shapiro .....	G01B 3/04
				33/484
2017/0203431	A1*	7/2017	Byrt .....	G01B 3/30
2018/0319009	A1*	11/2018	Byrt .....	G01B 3/30

\* cited by examiner

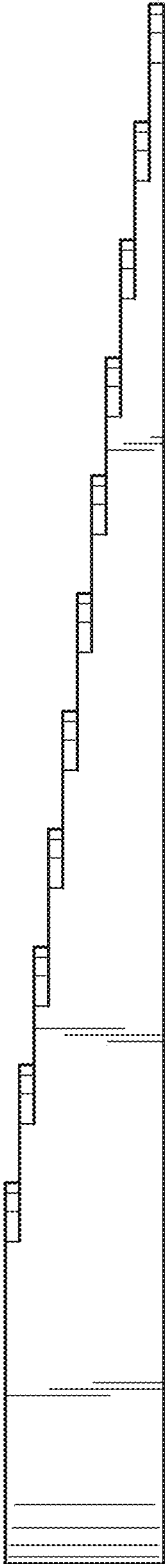


FIG. 1

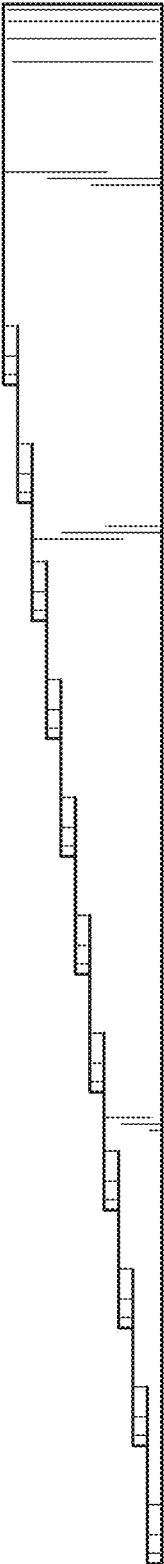


FIG. 2



FIG. 4

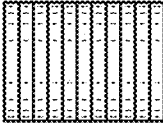


FIG. 3



FIG. 5



FIG. 6

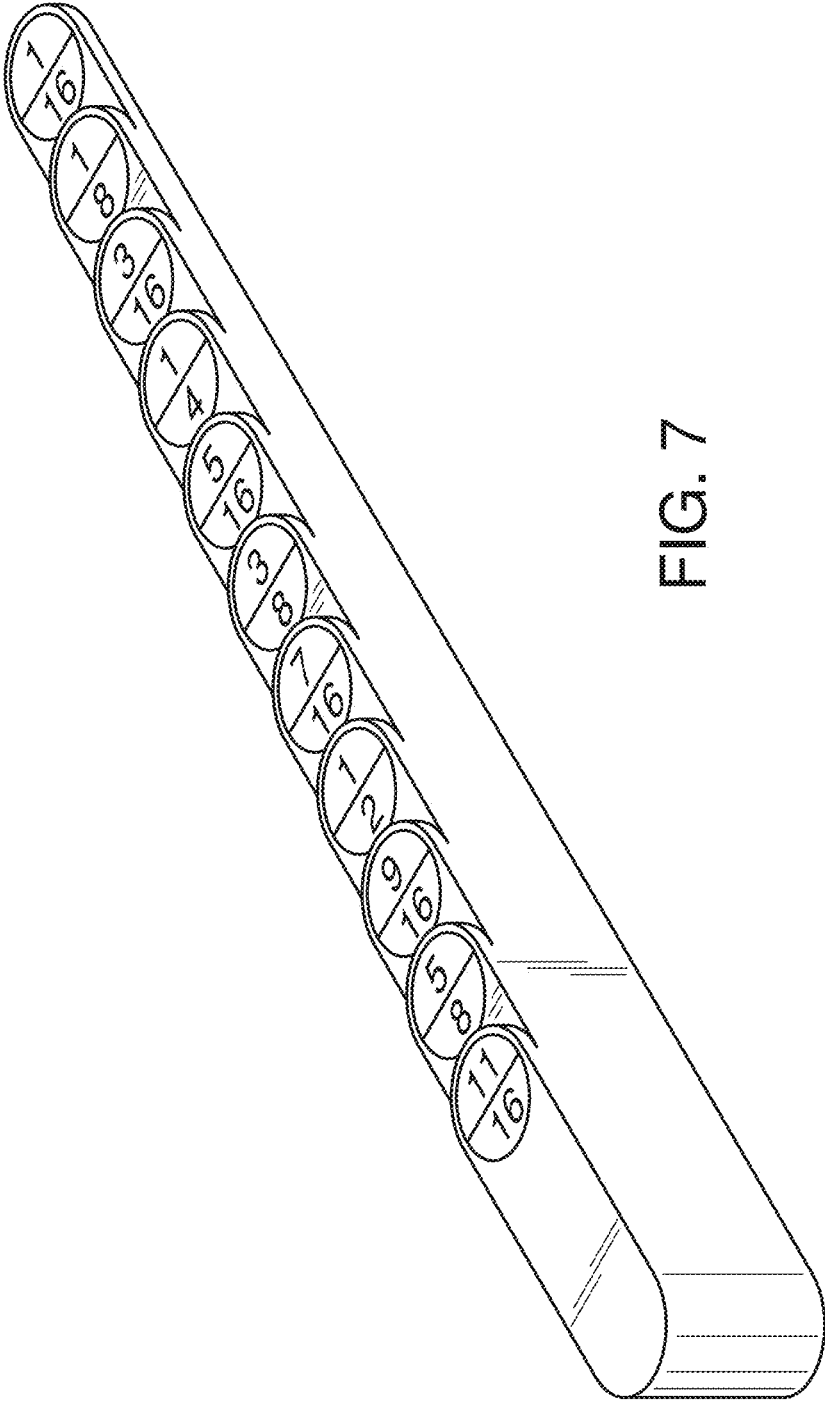


FIG. 7