

[54] FISHERMAN'S BELT

[76] Inventor: J. Rudy Smith, 1239 Ridge Ave., Philadelphia, Pa. 19123

[\*\*] Term: 14 Years

[21] Appl. No.: 628,162

[22] Filed: Jul. 5, 1984

[52] U.S. Cl. .... D3/100

[58] Field of Search ..... D3/100; 224/922, 253, 224/197, 907, 251, 242, 268; 43/21.2

[56] References Cited

U.S. PATENT DOCUMENTS

1,761,497	6/1930	Smith	224/222
1,786,254	12/1930	Meehan	224/222
1,985,985	1/1935	Gerline	224/922
3,009,612	11/1961	Fischett	224/922
3,115,997	12/1963	Hengst	224/922
4,569,465	2/1986	O'Farrell	224/251

Primary Examiner—James M. Gandy

Assistant Examiner—Kay H. Chin

Attorney, Agent, or Firm—Robert K. Youtie

[57] CLAIM

The ornamental design for a fisherman's belt, as shown and described.

DESCRIPTION

FIG. 1 is a front perspective view of a fisherman's belt showing my new design.

FIG. 2 is a front elevation view thereof;

FIG. 3 is a rear elevation view thereof;

FIG. 4 is a left side elevation view thereof;

FIG. 5 is a right side elevation view thereof;

FIG. 6 is a top plan view thereof;

FIG. 7 is a bottom plan view thereof;

FIG. 8 is a front perspective view of a second embodiment of a fisherman's belt showing my new design;

FIG. 9 is a front elevation view of FIG. 8;

FIG. 10 is a rear elevation view of FIG. 8;

FIG. 11 is a left side elevation view of FIG. 8;

FIG. 12 is a right side elevation view of FIG. 8;

FIG. 13 is a top plan view of FIG. 8;

FIG. 14 is a bottom plan view of FIG. 8.

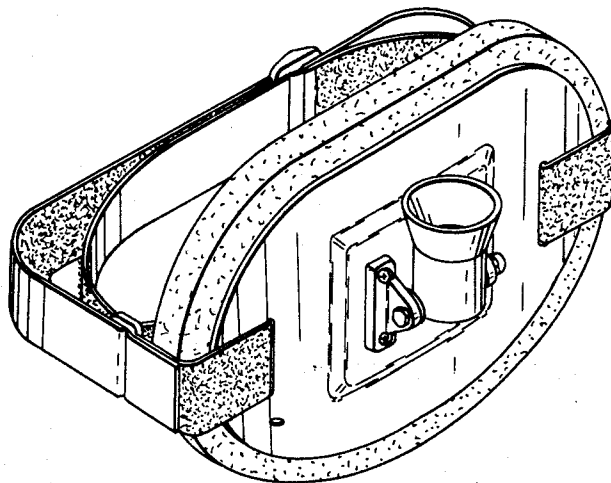


FIG. 1

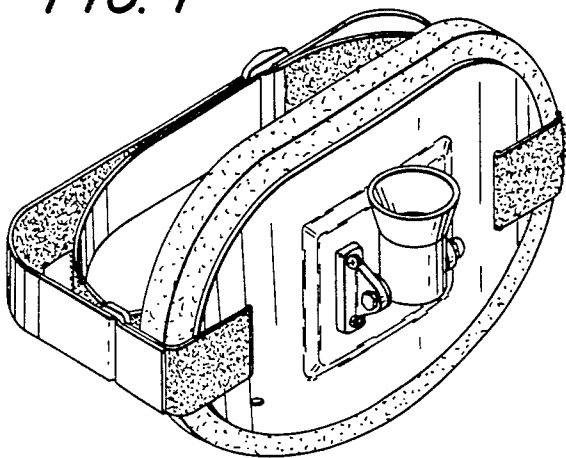


FIG. 4

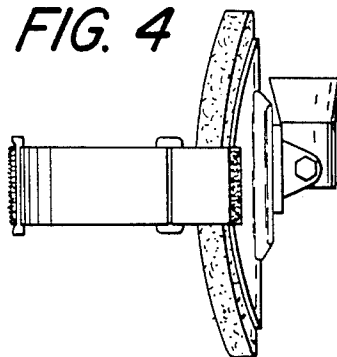


FIG. 5

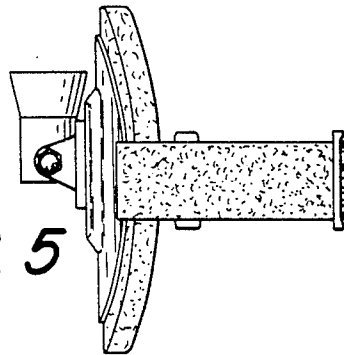


FIG. 2

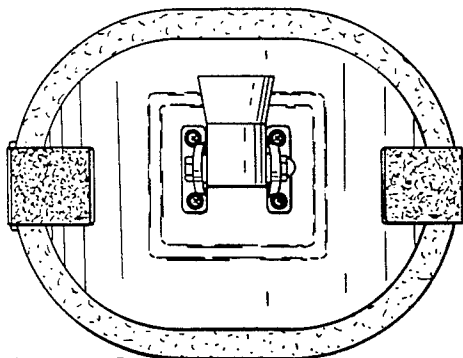


FIG. 6

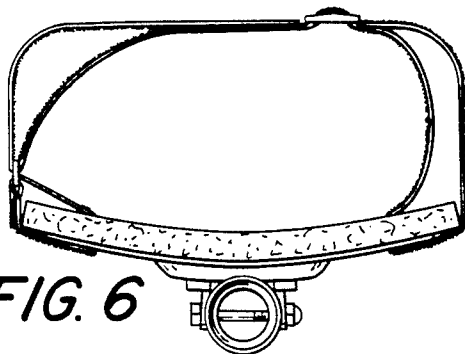


FIG. 3

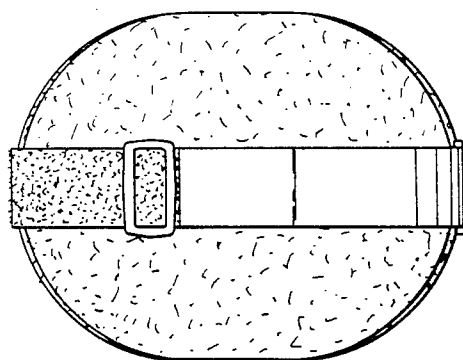


FIG. 7

