



US00D955348S

(12) **United States Design Patent**
Zhang et al.

(10) **Patent No.:** **US D955,348 S**

(45) **Date of Patent:** **** Jun. 21, 2022**

(54) **LED DISPLAY SCREEN**

(71) Applicant: **ROE Visual Co., Ltd.**, Guangdong (CN)

(72) Inventors: **Hong Zhang**, Guangdong (CN);
Shunwen Tian, Guangdong (CN);
Danhu Cai, Guangdong (CN)

(73) Assignee: **ROE VISUAL CO., LTD.**, Shenzhen (CN)

(**) Term: **15 Years**

(21) Appl. No.: **29/714,998**

(22) Filed: **Nov. 27, 2019**

(30) **Foreign Application Priority Data**

May 28, 2019 (CN) 201930267939.8

(51) **LOC (13) Cl.** **14-03**

(52) **U.S. Cl.**
USPC **D14/125**

(58) **Field of Classification Search**
USPC D14/204, 209.1, 211, 221, 224–225,
D14/227–228, 239, 371, 372, 373,
D14/447–452, 125–129, 335–337,
D14/374–377, 341, 440–442, 444,
D14/446–447, 250, 217, 344–345,
D14/348–349, 351–359, 363, 900;
D8/355, 363, 373, 349; D6/672, 682,
D6/300–314; D13/107, 101–103,
D13/118–119, 184, 199; D10/30, 103,
(Continued)

(56) **References Cited**

U.S. PATENT DOCUMENTS

D528,804 S * 9/2006 Boergens D6/301
D600,233 S * 9/2009 Birsel D14/127
D804,712 S * 12/2017 Cai D26/120
(Continued)

OTHER PUBLICATIONS

Orion HLVI2-5H 4K Video Wall Solutions Indoor Kinglight2121 LED Display Module, surveillance-video.com, [online], [site visited Oct. 19, 2021]. Available from internet URL: https://www.surveillance-video.com/monitor-hlvi2-5h.html?gclid=EA1alQobChMlkeHF_JfX8wlVkbblCh0MegzHEAQYCIABEgl1UfD_BwE (Year: 2021).*

(Continued)

Primary Examiner — Samantha Q Lawrence

Assistant Examiner — Holly M Rodriguez

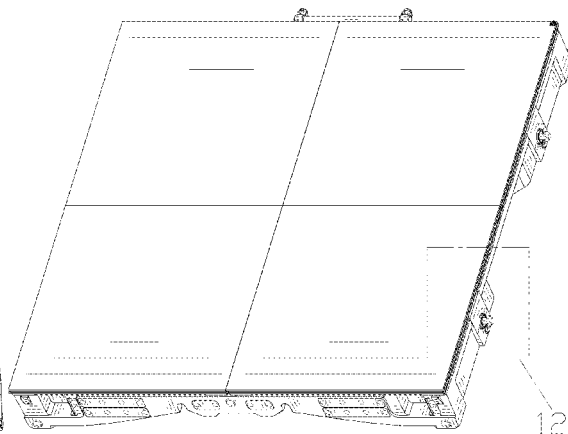
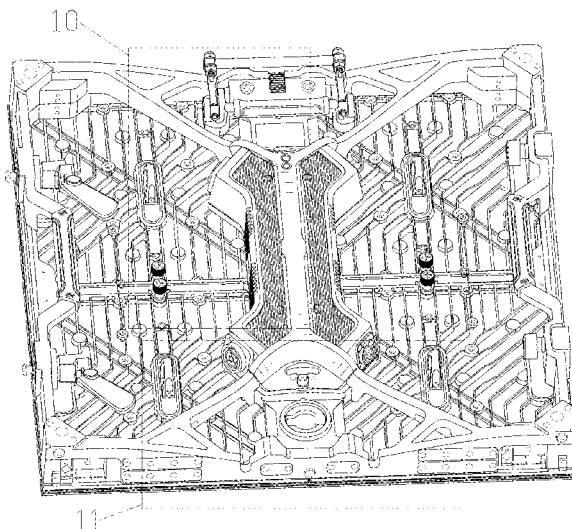
(57) **CLAIM**

The ornamental design for an LED display screen, as shown and described.

DESCRIPTION

FIG. 1 is a bottom, front and left side perspective view of an LED display screen showing our new design; FIG. 2 is a bottom, rear and left side perspective view thereof; FIG. 3 is a top, rear and right side perspective view thereof; FIG. 4 is a front elevational view thereof; FIG. 5 is a rear elevational view thereof; FIG. 6 is a left side view thereof; FIG. 7 is a right side view thereof; FIG. 8 is a top plan view thereof; FIG. 9 is a bottom plan view thereof; FIG. 10 is an enlarged view of portion 10 in FIG. 1; FIG. 11 is an enlarged view of portion 11 in FIG. 1; FIG. 12 is an enlarged view of portion 12 in FIG. 2; FIG. 13 is an enlarged view of portion 13 in FIG. 6; and, FIG. 14 is an enlarged view of portion 14 in FIG. 7. The broken lines in the drawings illustrate portions of the LED display screen which form no part of the claimed design.

1 Claim, 14 Drawing Sheets



(58) **Field of Classification Search**

USPC D10/123, 125, 132; D16/101, 216–217;
 D12/106; D24/103, 138, 140–144
 CPC F16M 11/2085; F16M 11/2092; F16M
 11/2007; F16M 11/2014; F16M 11/2021;
 F16M 11/105; F16M 11/10; F16M
 11/048; F16M 11/12; F16M 13/022;
 H04R 9/06; H04R 1/24; H04R 11/02;
 H04R 2400/00; G06F 1/20; G06F 1/1628;
 G06F 1/1626; G06F 1/1669; G06F
 1/1679; H05K 5/00; H05K 5/0213; H05K
 5/30; H05K 5/03; H05K 5/0017; A47B
 23/044; A47B 97/001; A47B 81/061;
 H04B 1/3888; A45C 11/00; A63B
 2225/685; H04M 1/0202; H04M 1/0266;
 H04M 1/725

See application file for complete search history.

(56) **References Cited**

U.S. PATENT DOCUMENTS

D825,559 S * 8/2018 Lu D14/371
 D920,432 S * 5/2021 Lee D20/42
 D920,434 S * 5/2021 Hwang D20/42
 11,102,896 B1 * 8/2021 Zhang H05K 5/0017
 2016/0210886 A1 * 7/2016 Brashnyk G09F 9/33
 2016/0348854 A1 * 12/2016 Wu G09F 9/33
 2019/0012955 A1 * 1/2019 Xu G09F 13/0413
 2019/0066894 A1 * 2/2019 Zhu H05K 1/111

2019/0289729 A1 * 9/2019 Nguyen H05K 5/0217
 2019/0373745 A1 * 12/2019 Miller H05K 5/0204
 2020/0029446 A1 * 1/2020 Lei H05K 5/0217
 2020/0063767 A1 * 2/2020 Jung G09F 9/3026
 2020/0068726 A1 * 2/2020 Hwang E05C 3/04
 2020/0113078 A1 * 4/2020 Kim H05K 5/0017
 2020/0310502 A1 * 10/2020 Cho G06F 1/20
 2020/0375039 A1 * 11/2020 Mudd H05K 5/0217
 2020/0375041 A1 * 11/2020 Lee G09F 9/33
 2020/0380895 A1 * 12/2020 Nakano G09F 9/3026
 2020/0389987 A1 * 12/2020 Kanno G09F 9/3026
 2021/0005783 A1 * 1/2021 Wu G09F 13/0413
 2021/0010631 A1 * 1/2021 Wang G09F 9/3026
 2021/0274661 A1 * 9/2021 Zhang G09F 9/33

OTHER PUBLICATIONS

P3.91 Outdoor Curve Round LED Display Screen, hll-ledscreens.com, [online], [site visited Oct. 19, 2021], Available from internet URL: <http://www.hll-ledscreens.com/led-display-screens/led-rental-display-screen/p3-91-outdoor-curve-round-led-display-screen.html> (Year: 2021).*

RUBY Next generation of LED panels, oevisual.com, [online], [site visited Oct. 19, 2021], Available from internet URL: <https://www.roevisual.com/en/ruby> (Year: 2021).*

Full color indoor tv panel P2 P2.5 P3 P4 P5 P6 led video wall, alibaba.com, [online], [site visited Oct. 19, 2021], Available from internet URL: https://www.alibaba.com/product-detail/full-color-indoor-tv-panel-P2_60523957916.html?spm=a2700.details.maylikeexp.1.8d686bce8SDGzg (Year: 2021).*

* cited by examiner

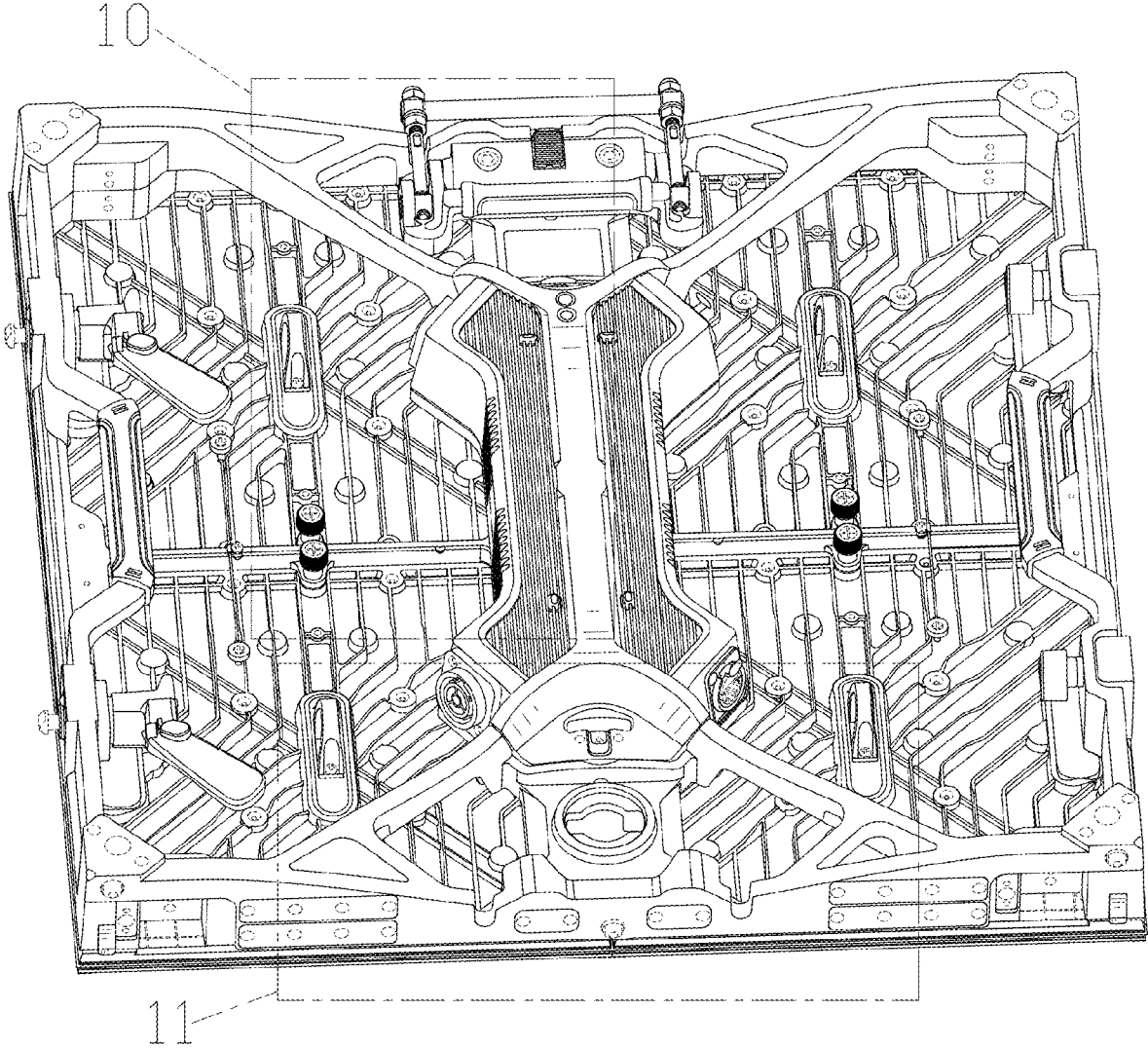


FIG. 1

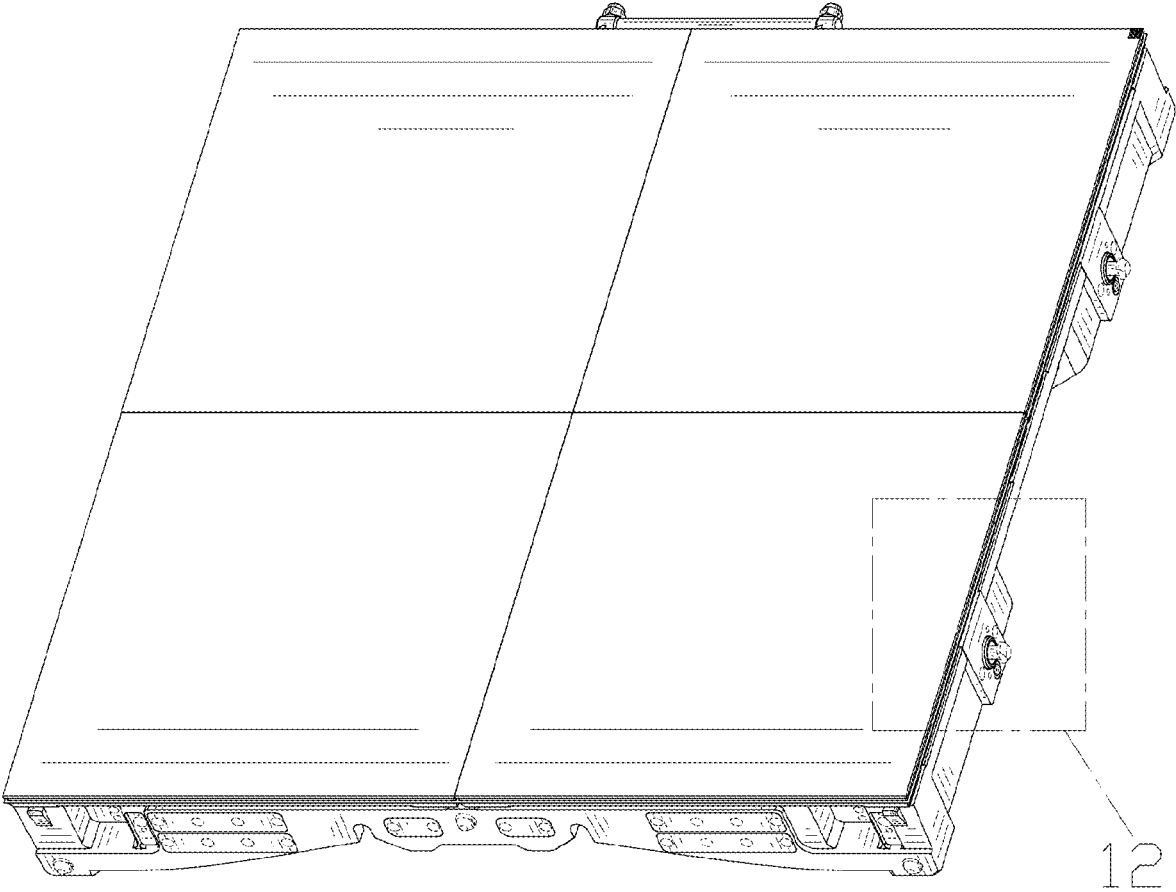


FIG. 2

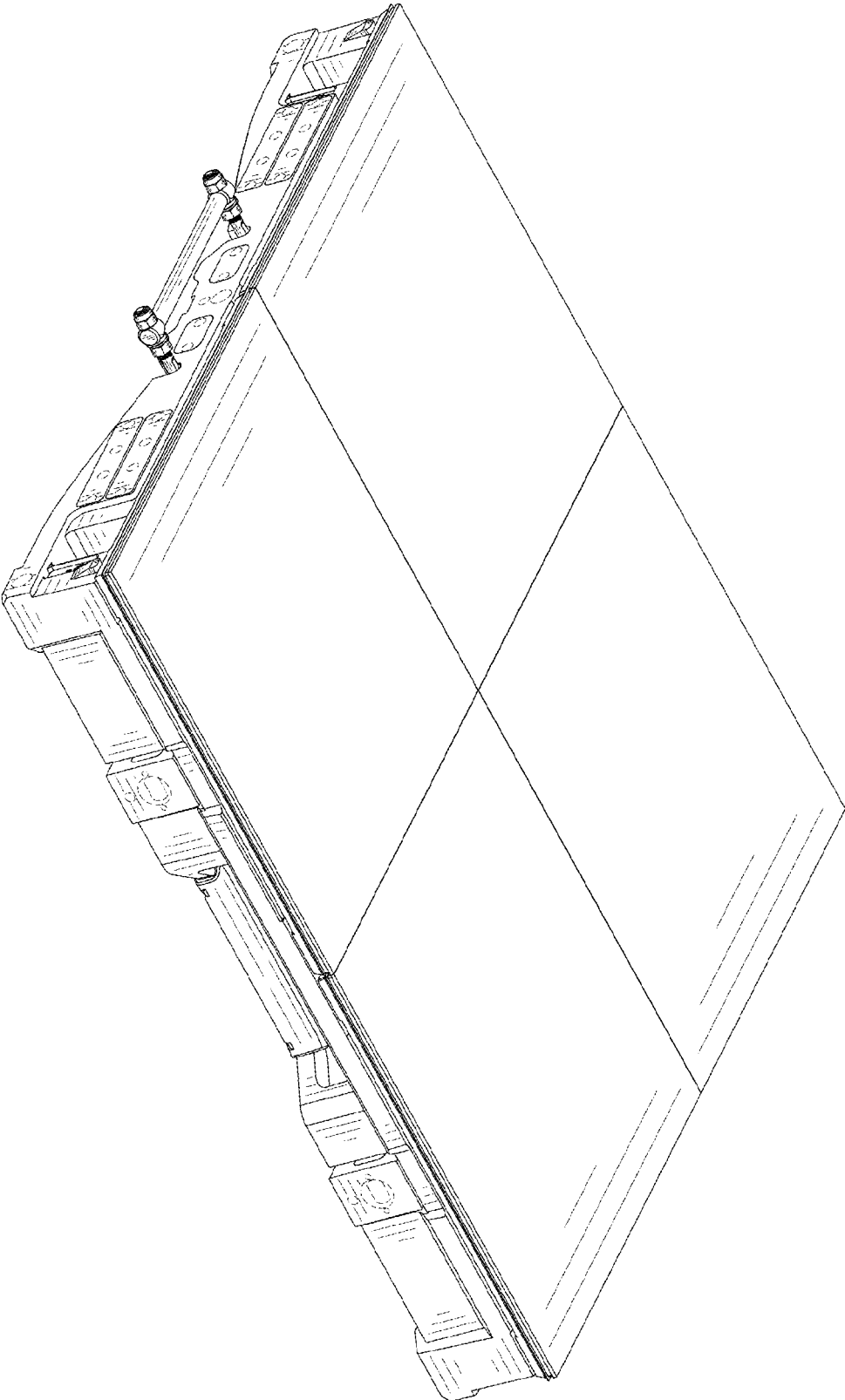


FIG. 3

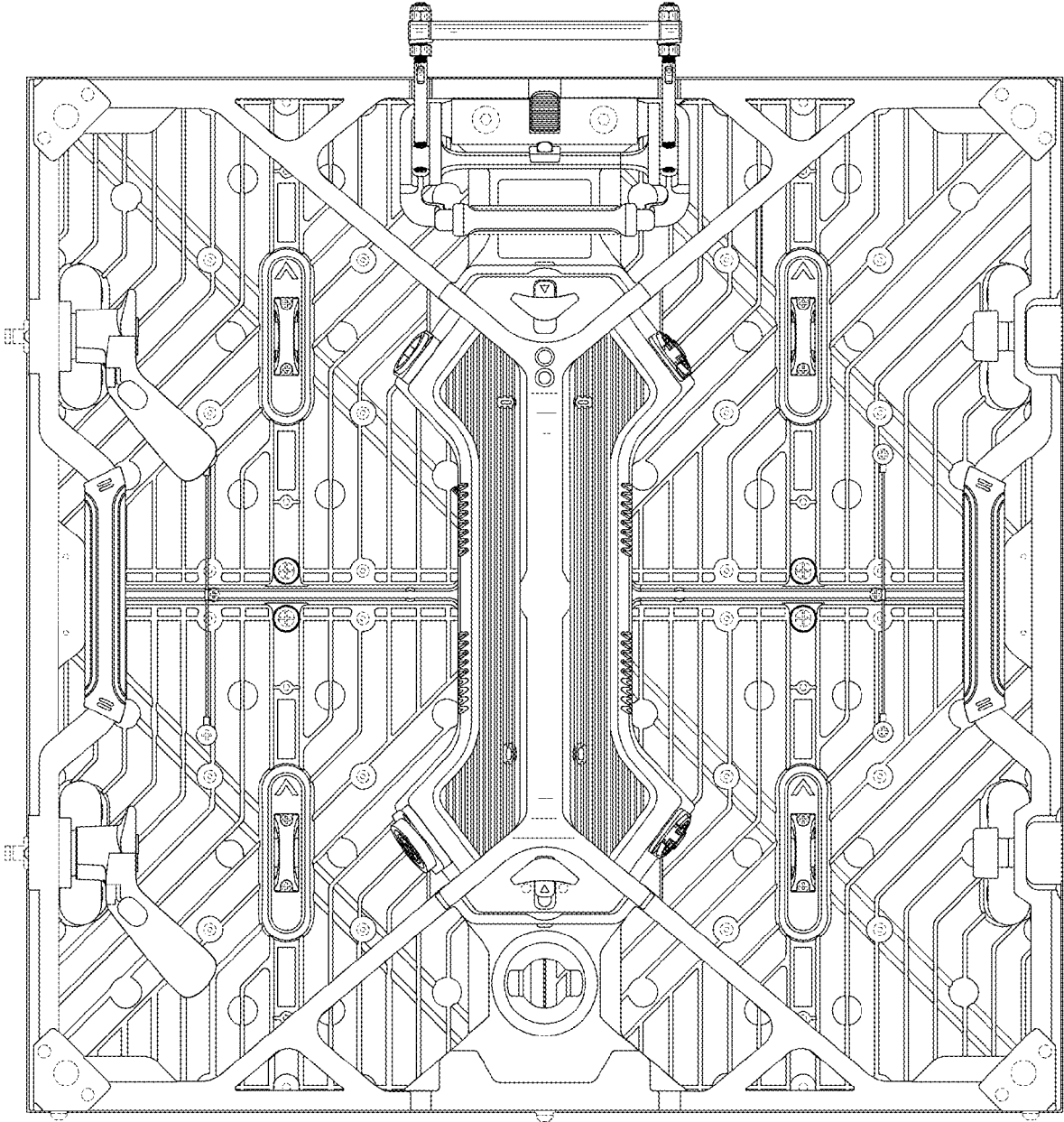


FIG. 4

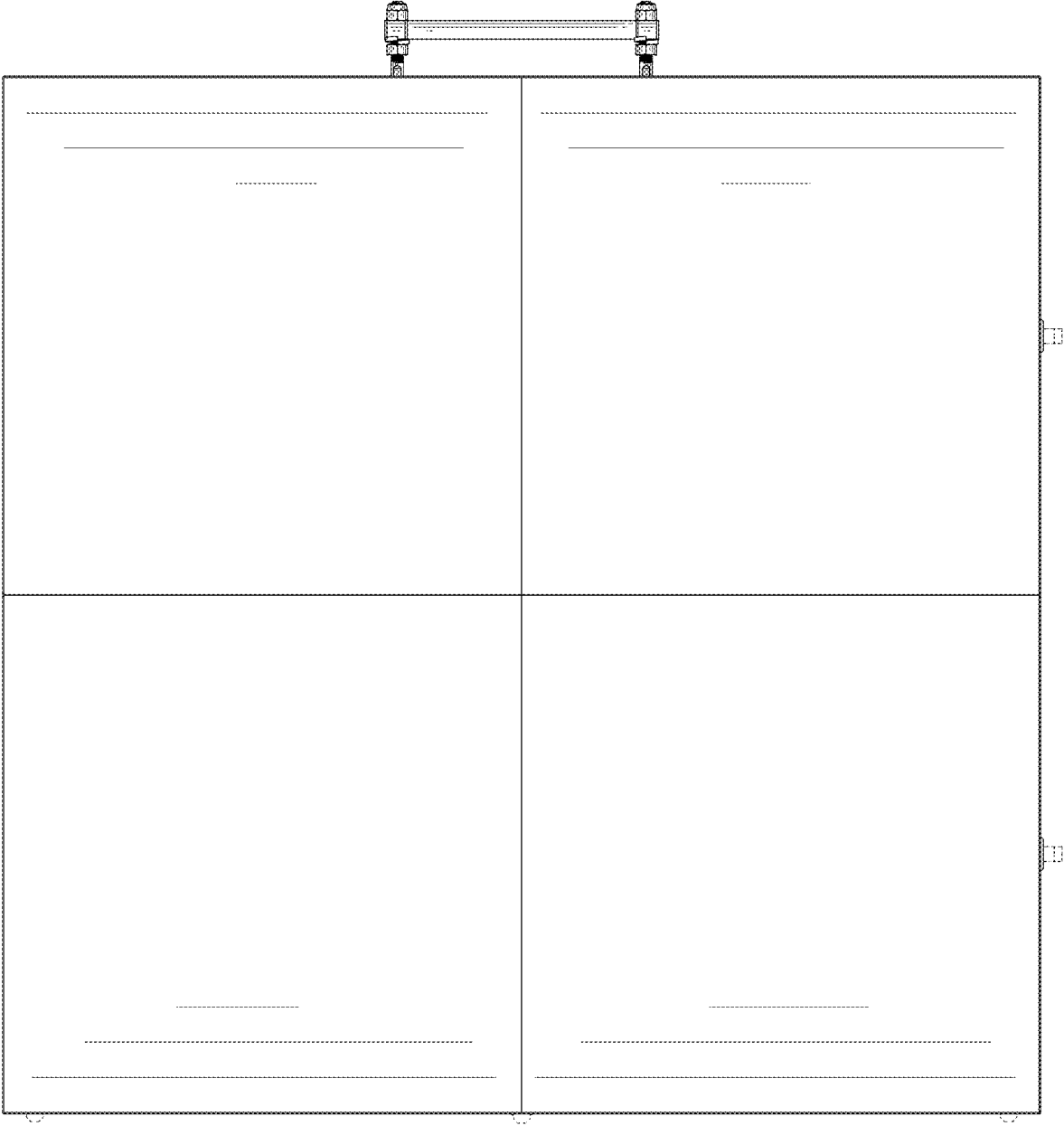


FIG. 5

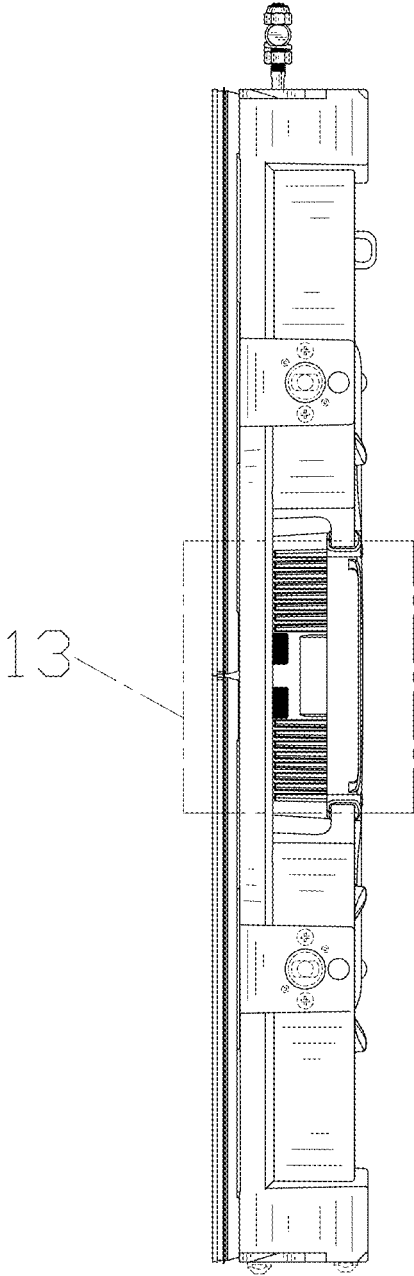


FIG. 6

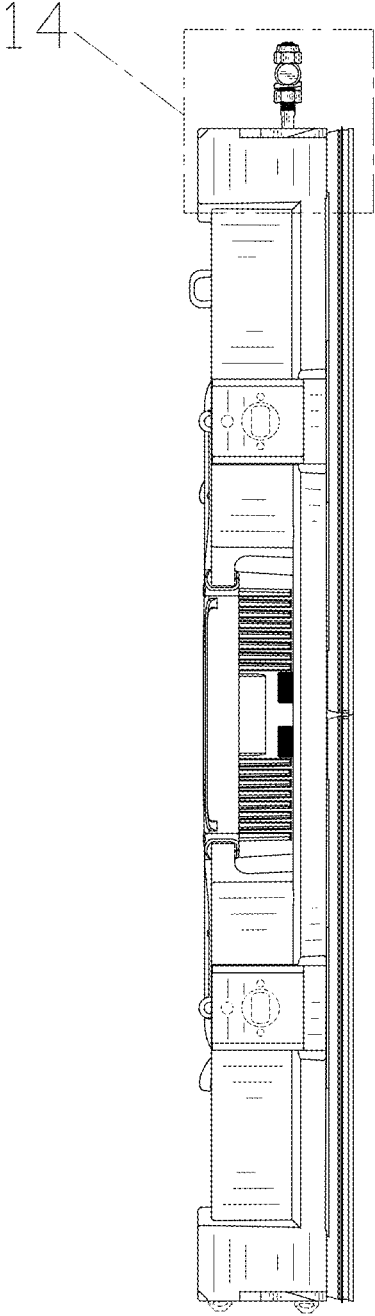


FIG. 7

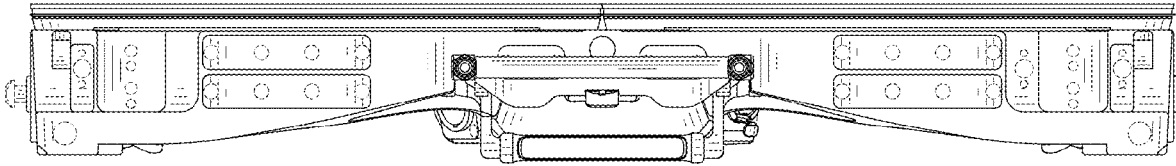


FIG. 8

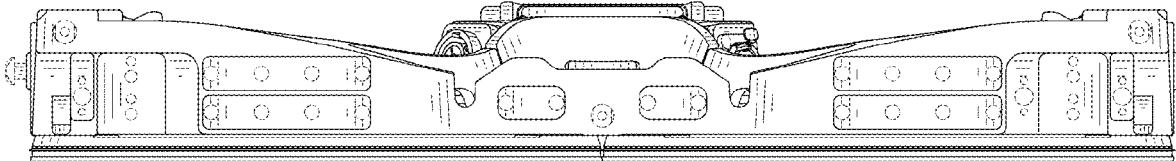


FIG. 9

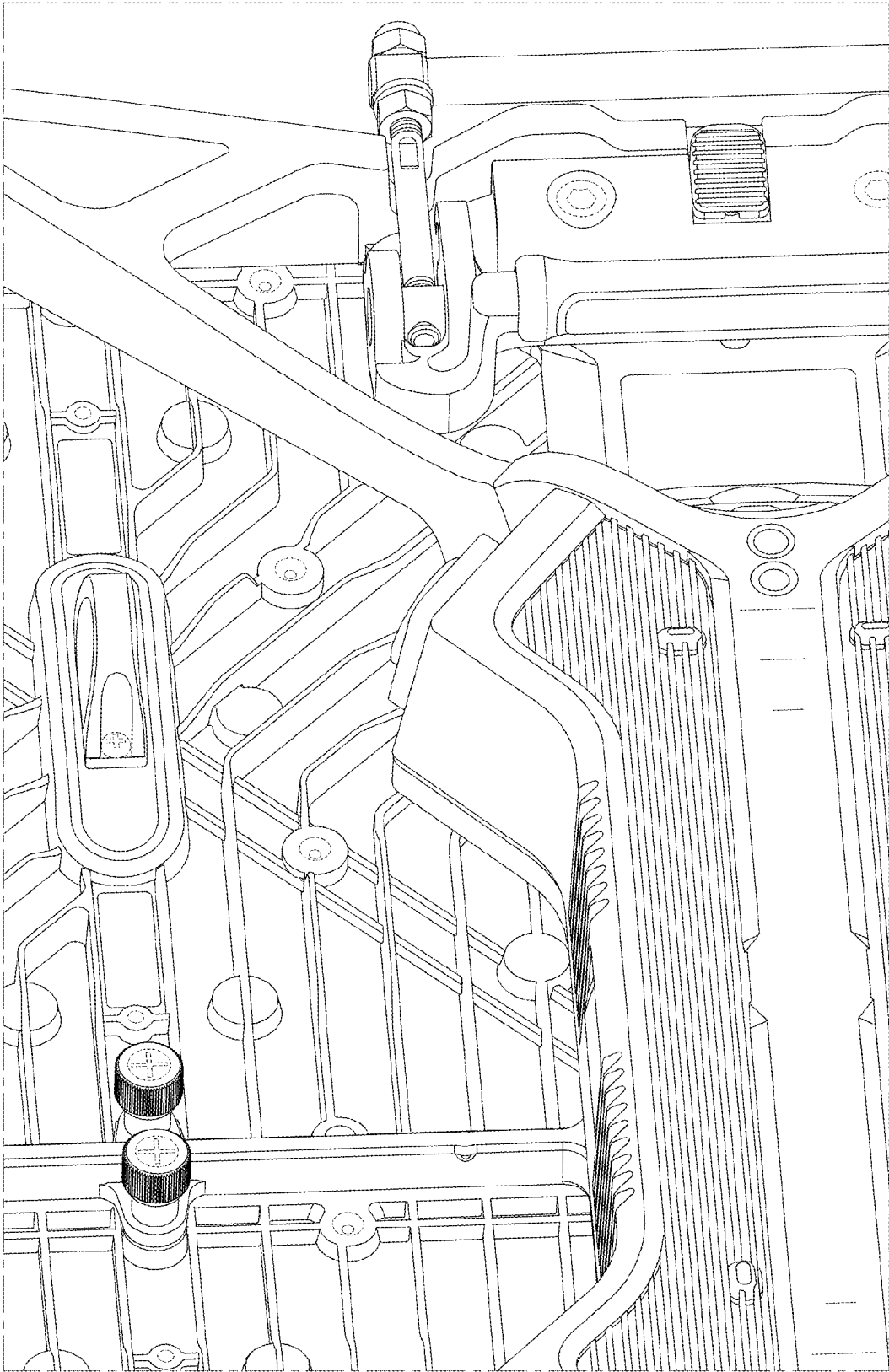


FIG. 10

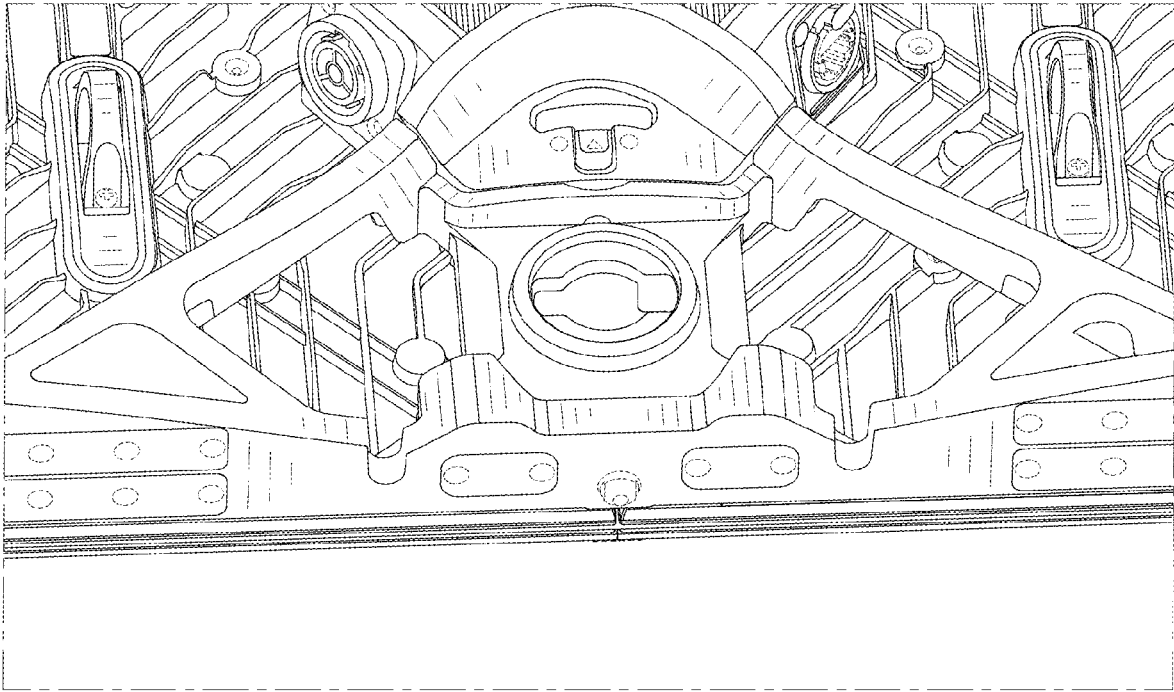


FIG. 11

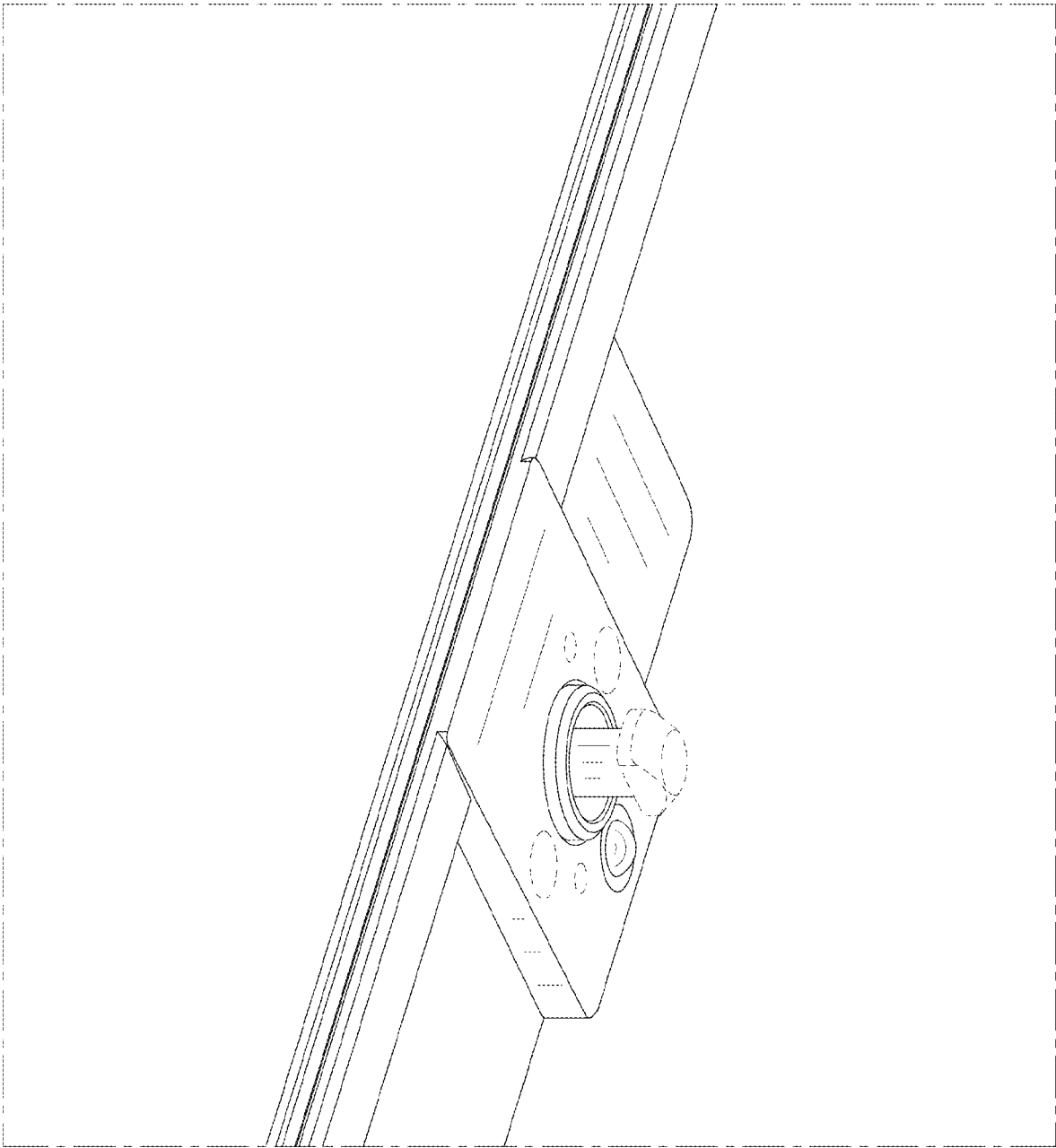


FIG. 12

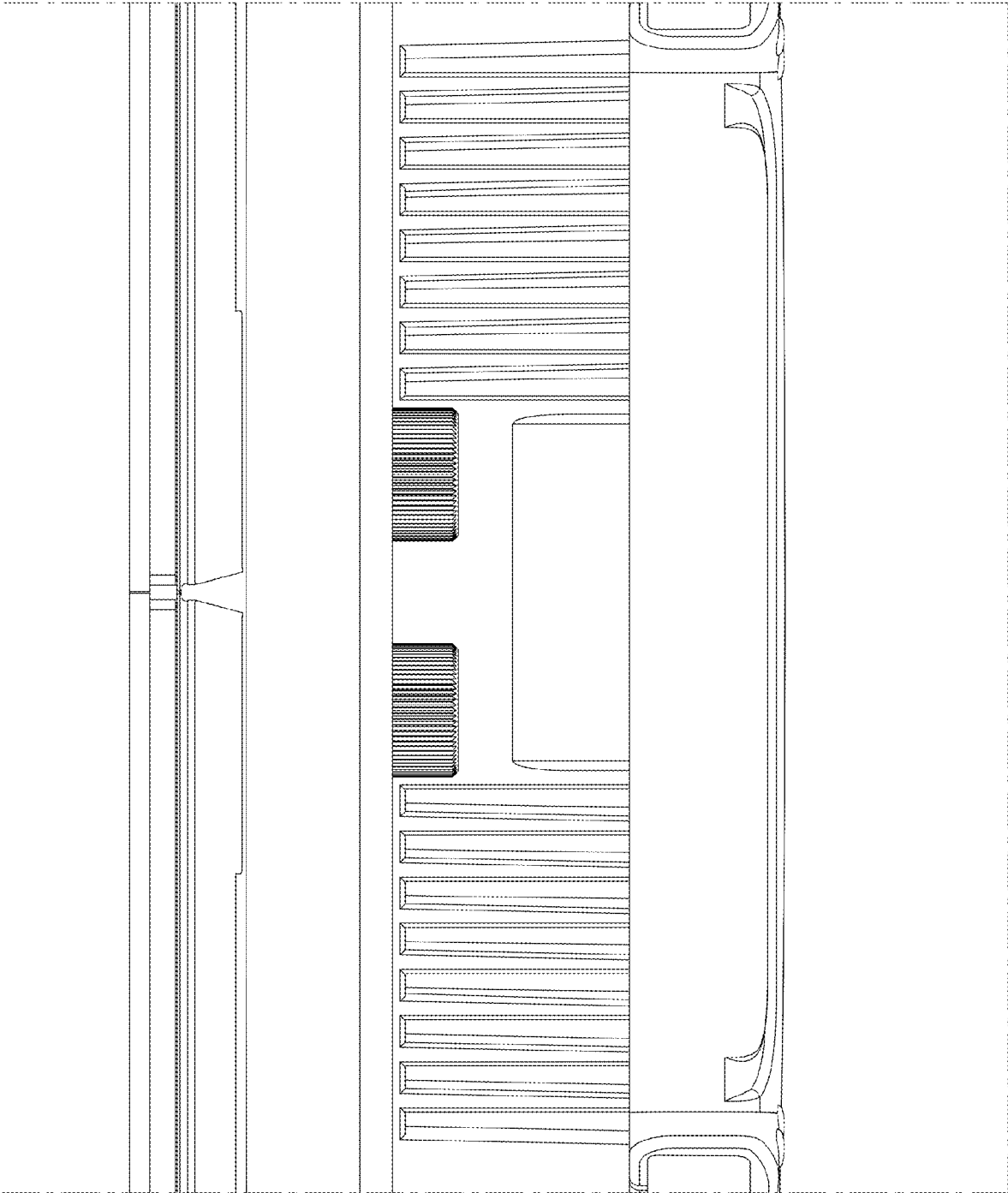


FIG. 13

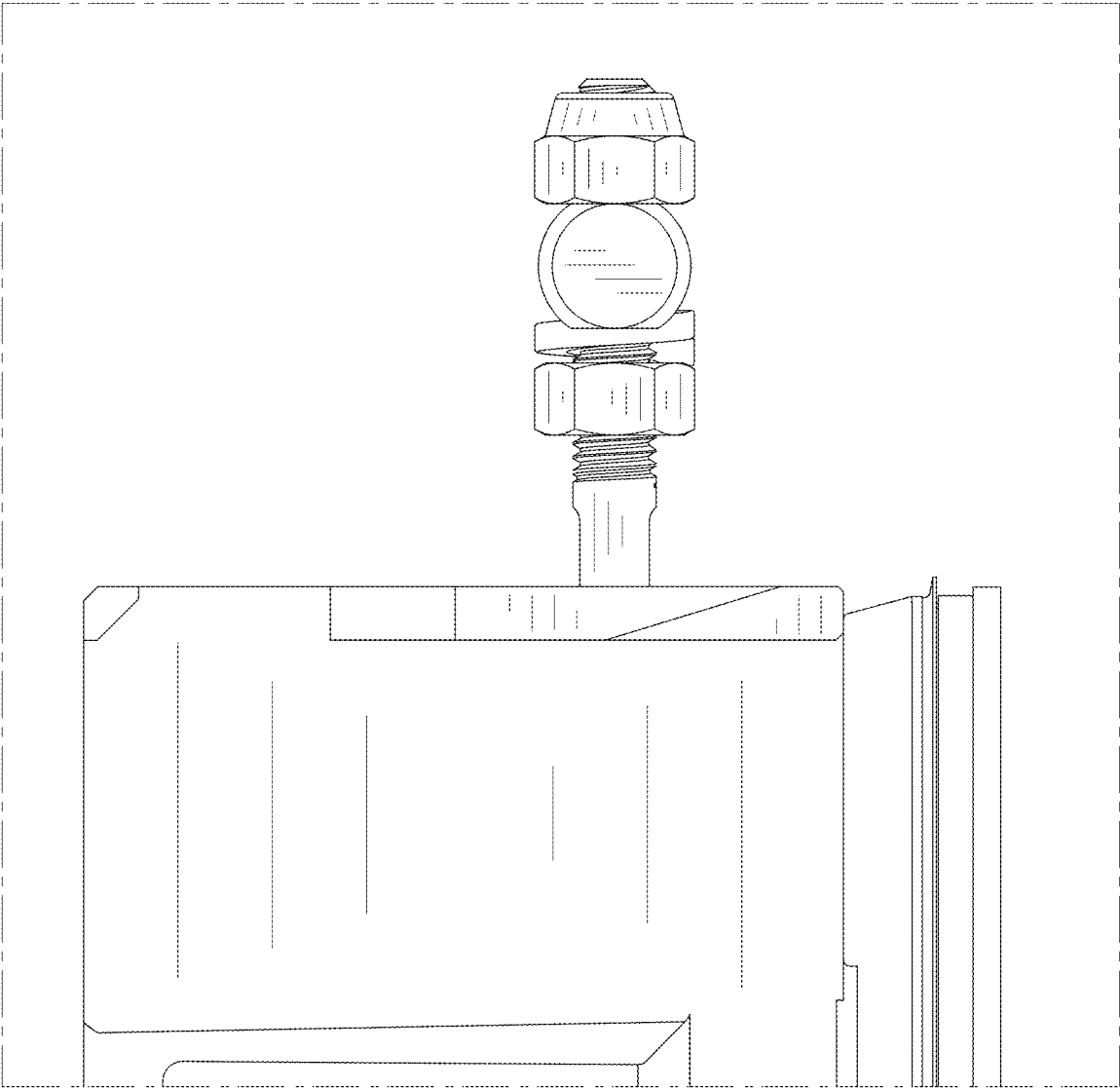


FIG. 14