



US0D1031276S

(12) **United States Design Patent**
Yamamoto

(10) **Patent No.:** **US D1,031,276 S**

(45) **Date of Patent:** **** Jun. 18, 2024**

(54) **SERVO AMPLIFIER**

(71) Applicant: **FANUC CORPORATION**, Yamanashi (JP)

(72) Inventor: **Kazuhiro Yamamoto**, Yamanashi (JP)

(73) Assignee: **FANUC CORPORATION**, Yamanashi (JP)

(**) Term: **15 Years**

(21) Appl. No.: **29/836,219**

(22) Filed: **Apr. 25, 2022**

(30) **Foreign Application Priority Data**

Oct. 25, 2021 (JP) 2021-023139 D

(51) **LOC (14) Cl.** **13-02**

(52) **U.S. Cl.**

USPC **D13/110**; D14/188

(58) **Field of Classification Search**

USPC D14/167, 168, 170–172, 188, 194–197, D14/203.1–203.8, 204, 209.1, 210–217, D14/219, 221, 222, 224, 239, 496; D13/110, 112

CPC B60R 11/0217; G06F 1/1688; G10K 9/22; G10K 11/004; H03F 1/327; H04M 1/03; H04M 1/035; H04N 5/642; H04N 21/4852; H04R 1/02; H04R 1/06; H04R 1/021; H04R 1/025; H04R 1/026; H04R 1/028; H04R 1/105; H04R 1/323; H04R 1/403; H04R 1/2803; H04R 1/2834; H04R 5/02; H04R 7/20; H04R 9/06; H04R 9/025; H04R 2201/021; H04R 2400/00; H04R 2400/07; H04R 2499/11; H04R 2499/13; H04R 2499/15; H04S 3/00; H04S 7/30

See application file for complete search history.

(56) **References Cited**

U.S. PATENT DOCUMENTS

D623,592 S *	9/2010	Huang	D13/110
D631,436 S *	1/2011	Huang	D13/110
D724,052 S *	3/2015	Nakahira	D14/188
D817,273 S *	5/2018	Kato	D13/110
D905,638 S *	12/2020	Kato	D13/110
D906,963 S *	1/2021	Kato	D13/110
D908,657 S *	1/2021	Kato	D14/188

* cited by examiner

Primary Examiner — Keli L Hill

(74) *Attorney, Agent, or Firm* — Banner & Witcoff, Ltd.

(57) **CLAIM**

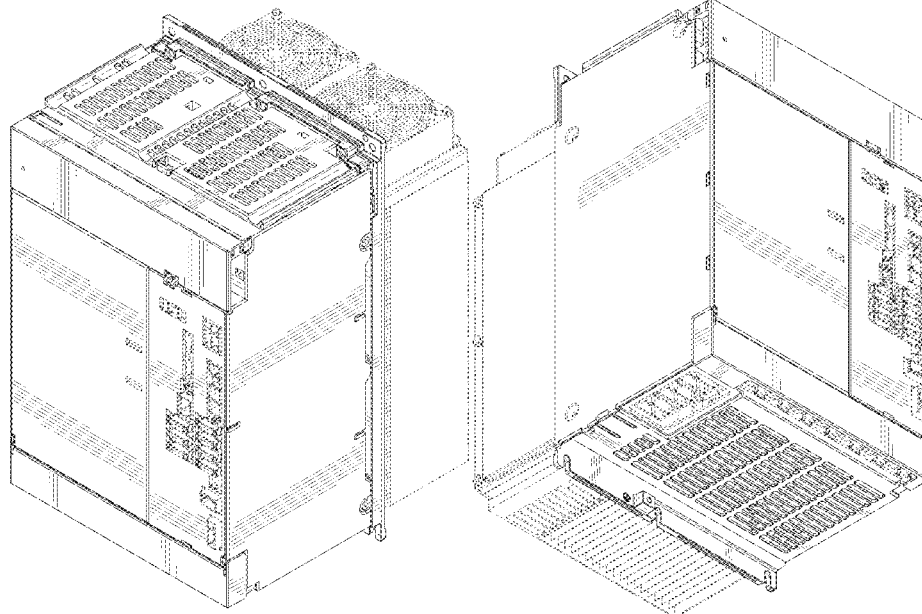
The ornamental design for a servo amplifier, as shown and described.

DESCRIPTION

FIG. 1 is a front-right side-top perspective view of a servo amplifier showing my new design; FIG. 2 is a front-left side-top perspective view thereof; FIG. 3 is a front-right side-bottom perspective view thereof; FIG. 4 is a front-left side-bottom perspective view thereof; FIG. 5 is a front view thereof; FIG. 6 is a rear view thereof; FIG. 7 is a top plan view thereof; FIG. 8 is a bottom plan view thereof; FIG. 9 is a right side view thereof; and, FIG. 10 is a left side view thereof.

The broken line showing of the remainder of the servo amplifier represents portions which form no part of the claimed design.

1 Claim, 10 Drawing Sheets



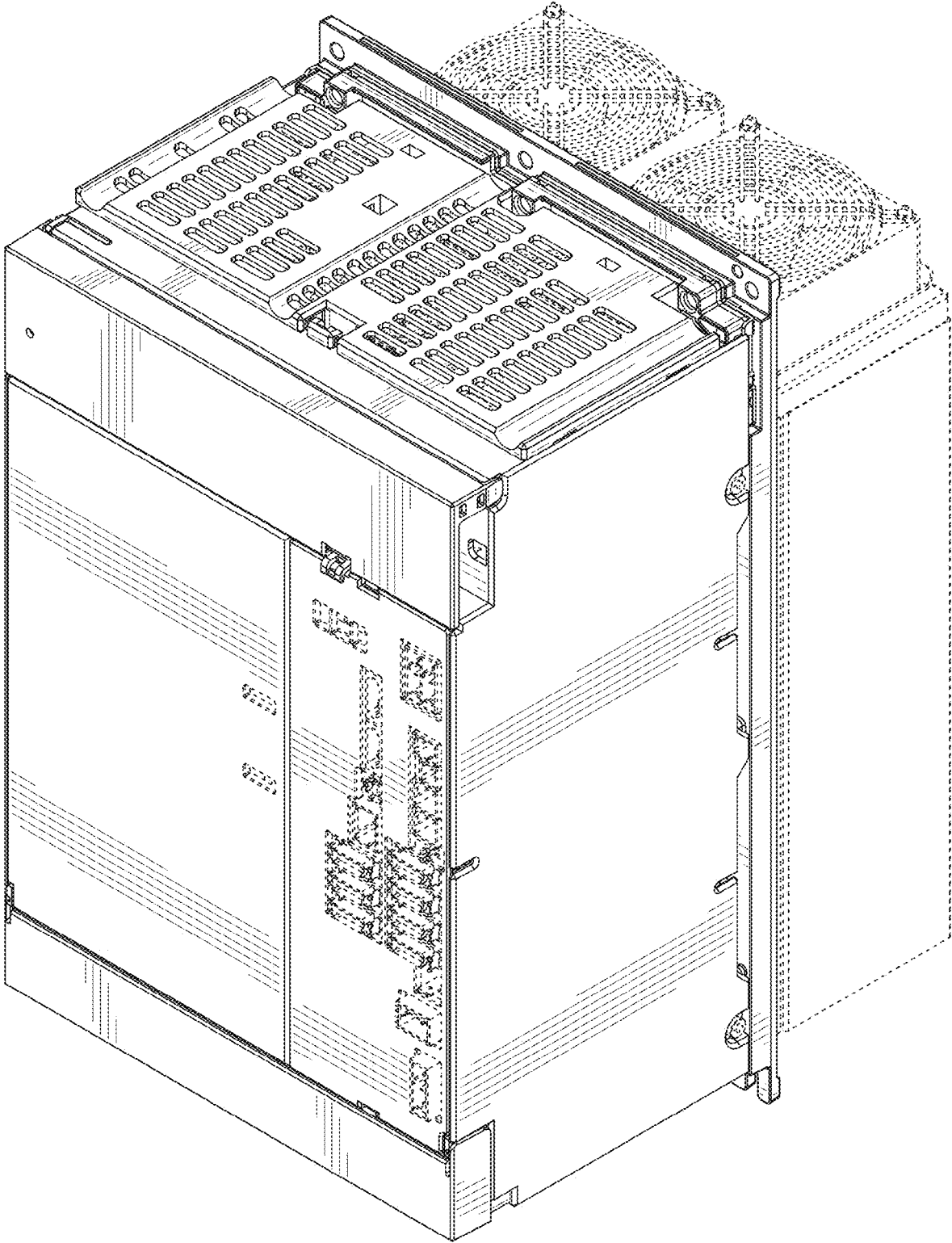


FIG. 1

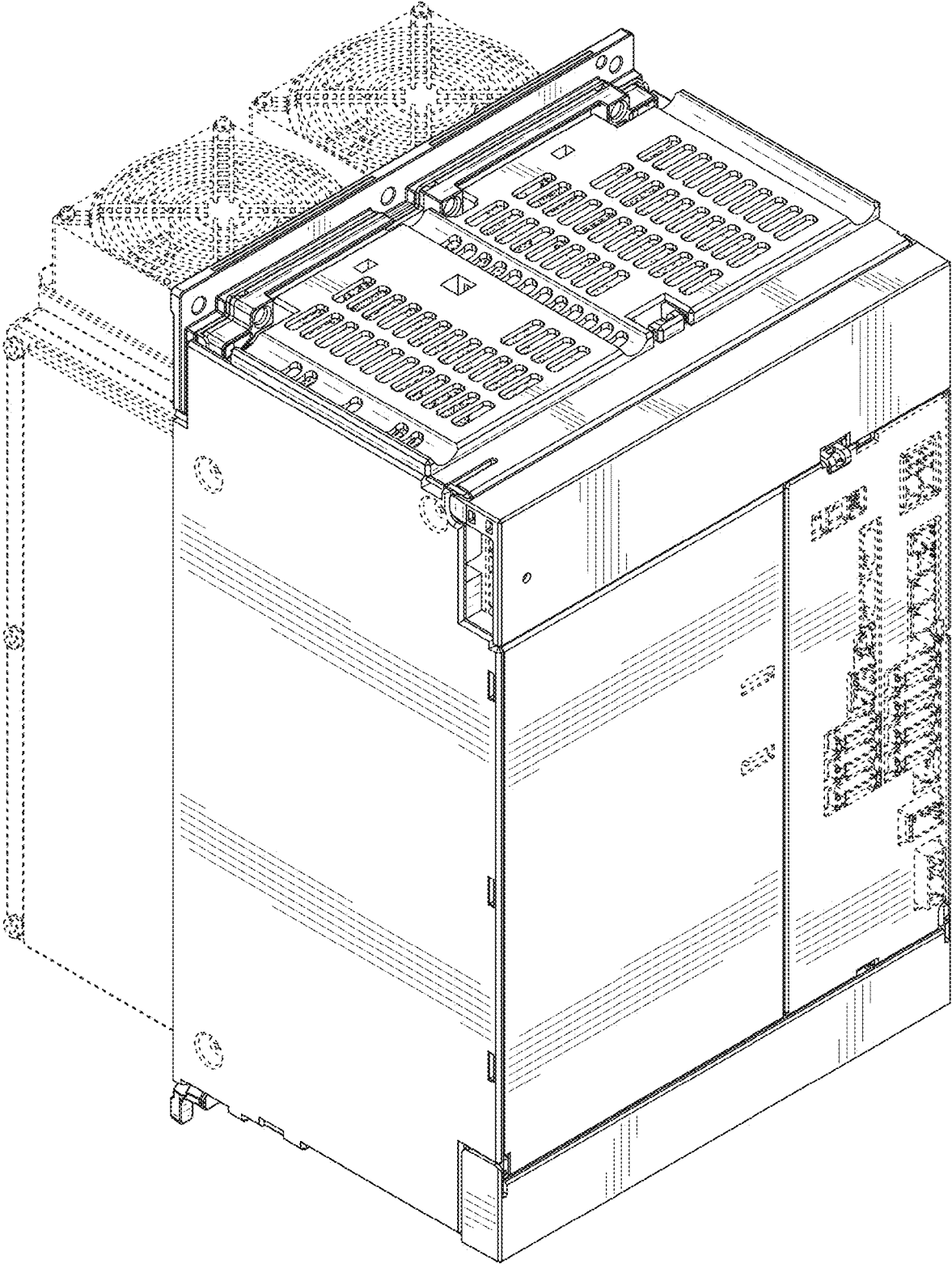


FIG. 2

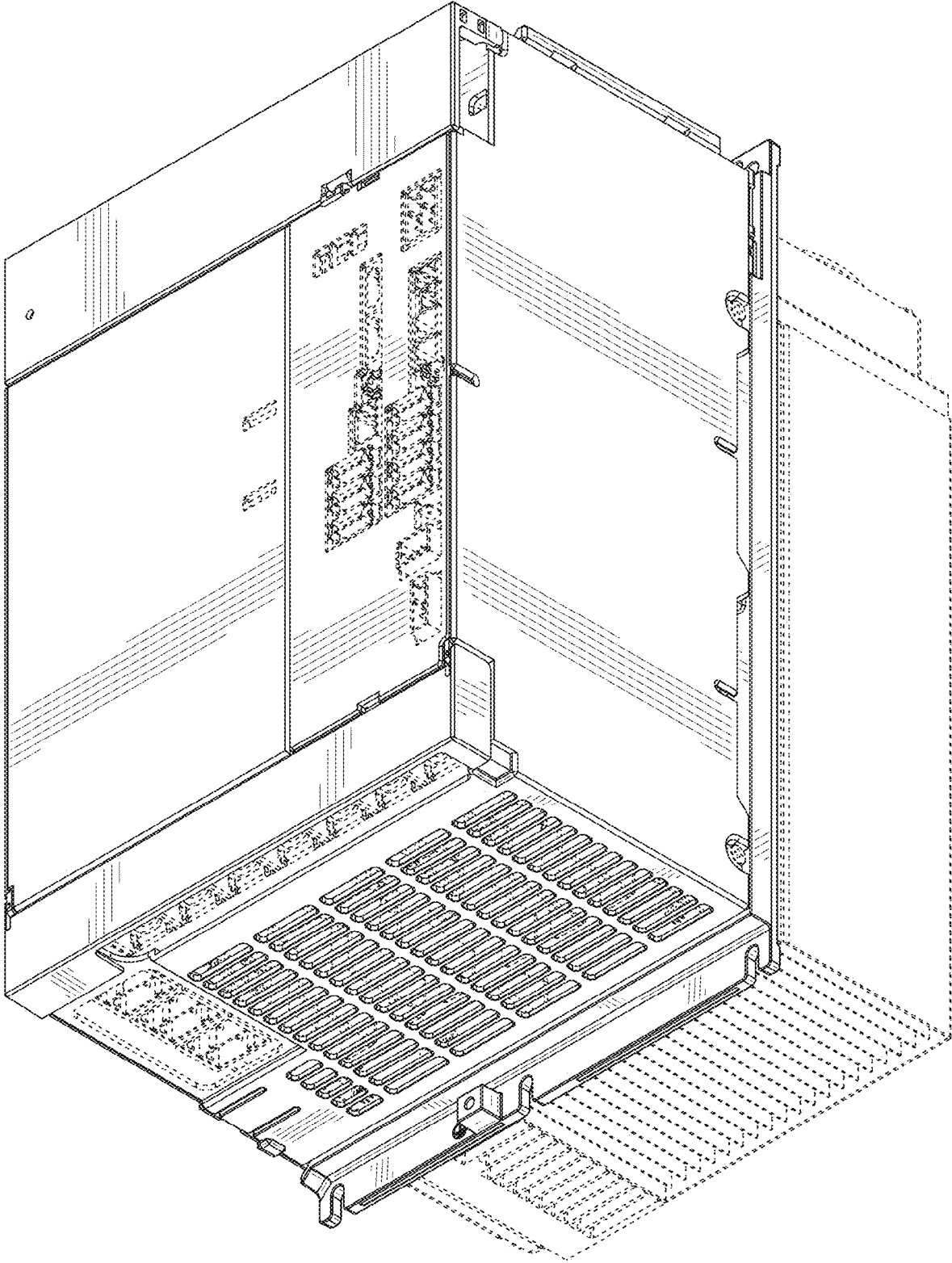


FIG. 3

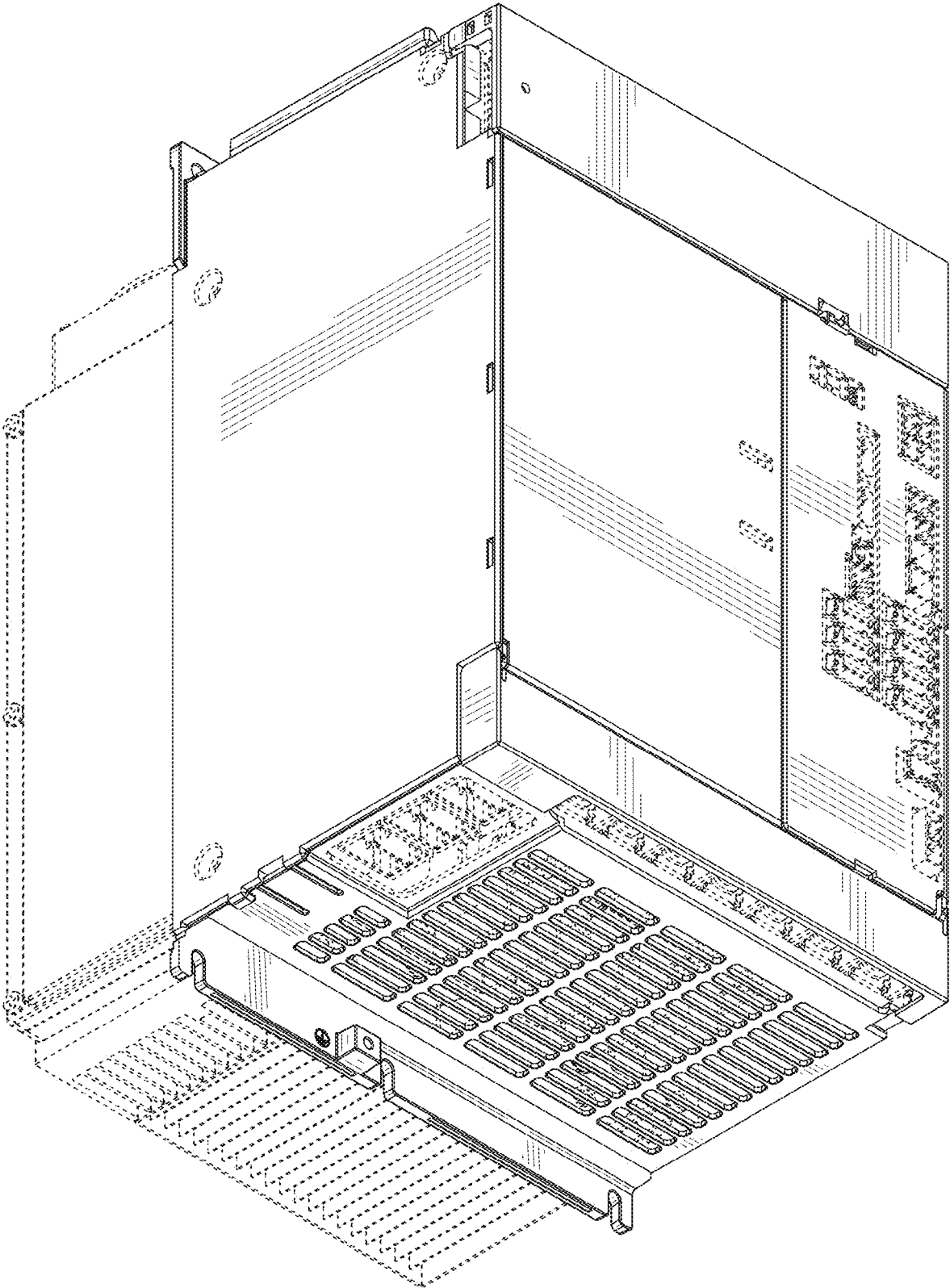


FIG. 4

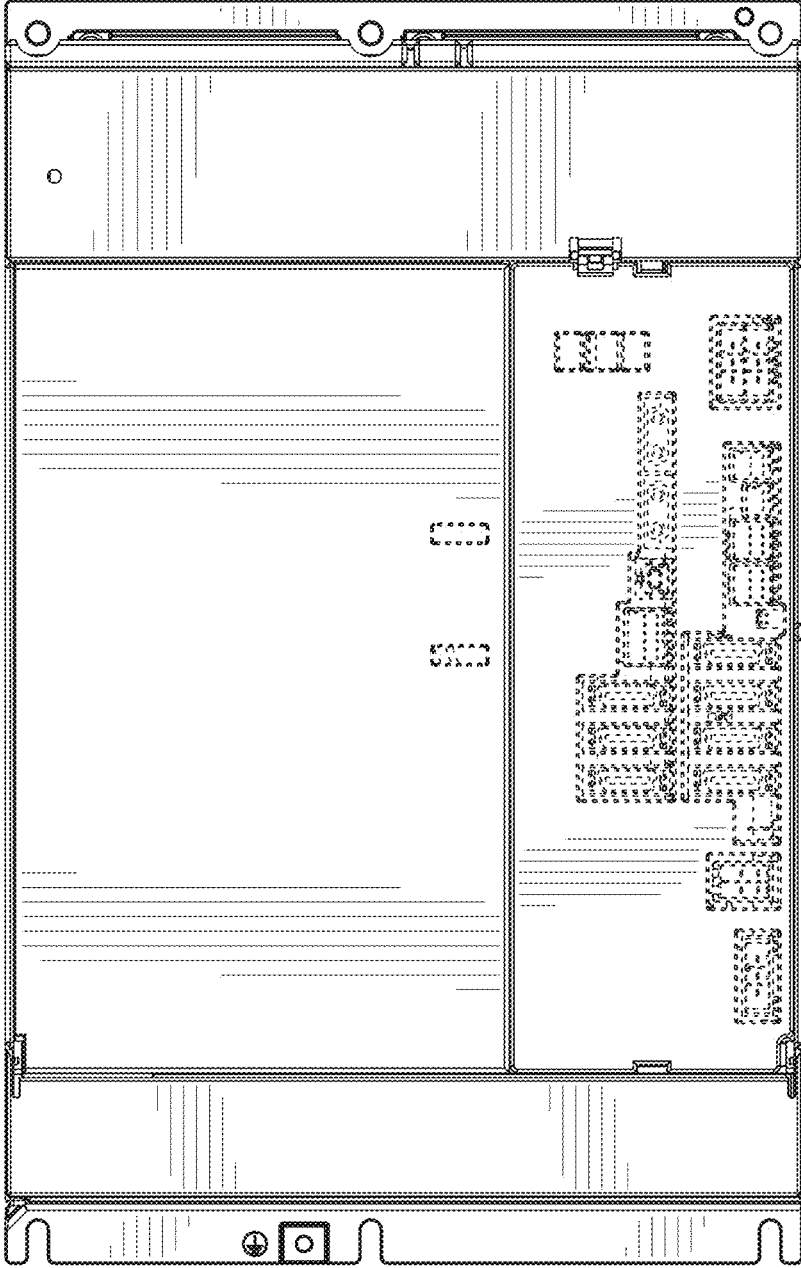


FIG. 5

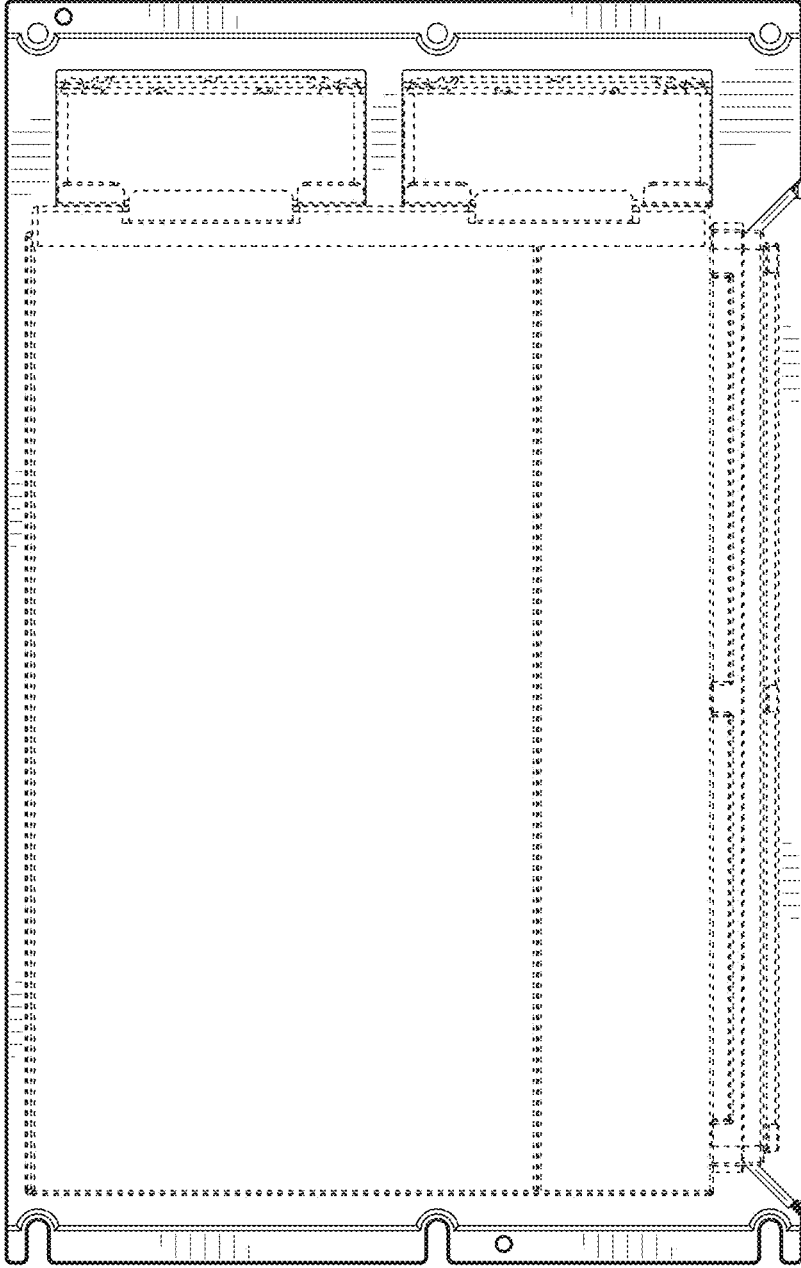


FIG. 6

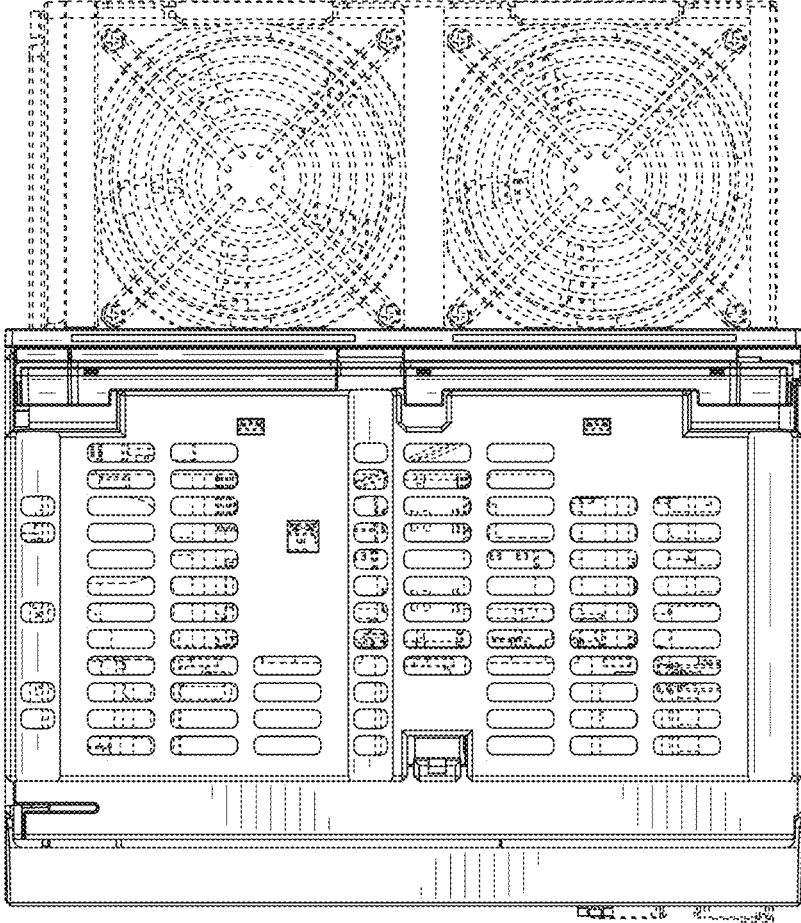


FIG. 7

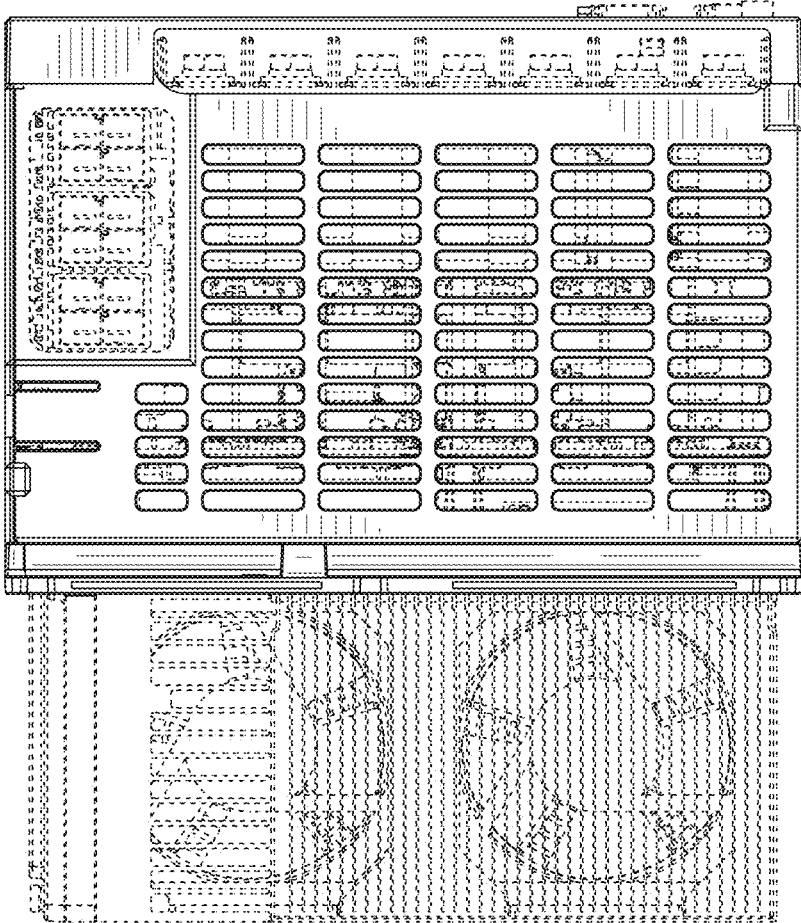


FIG. 8

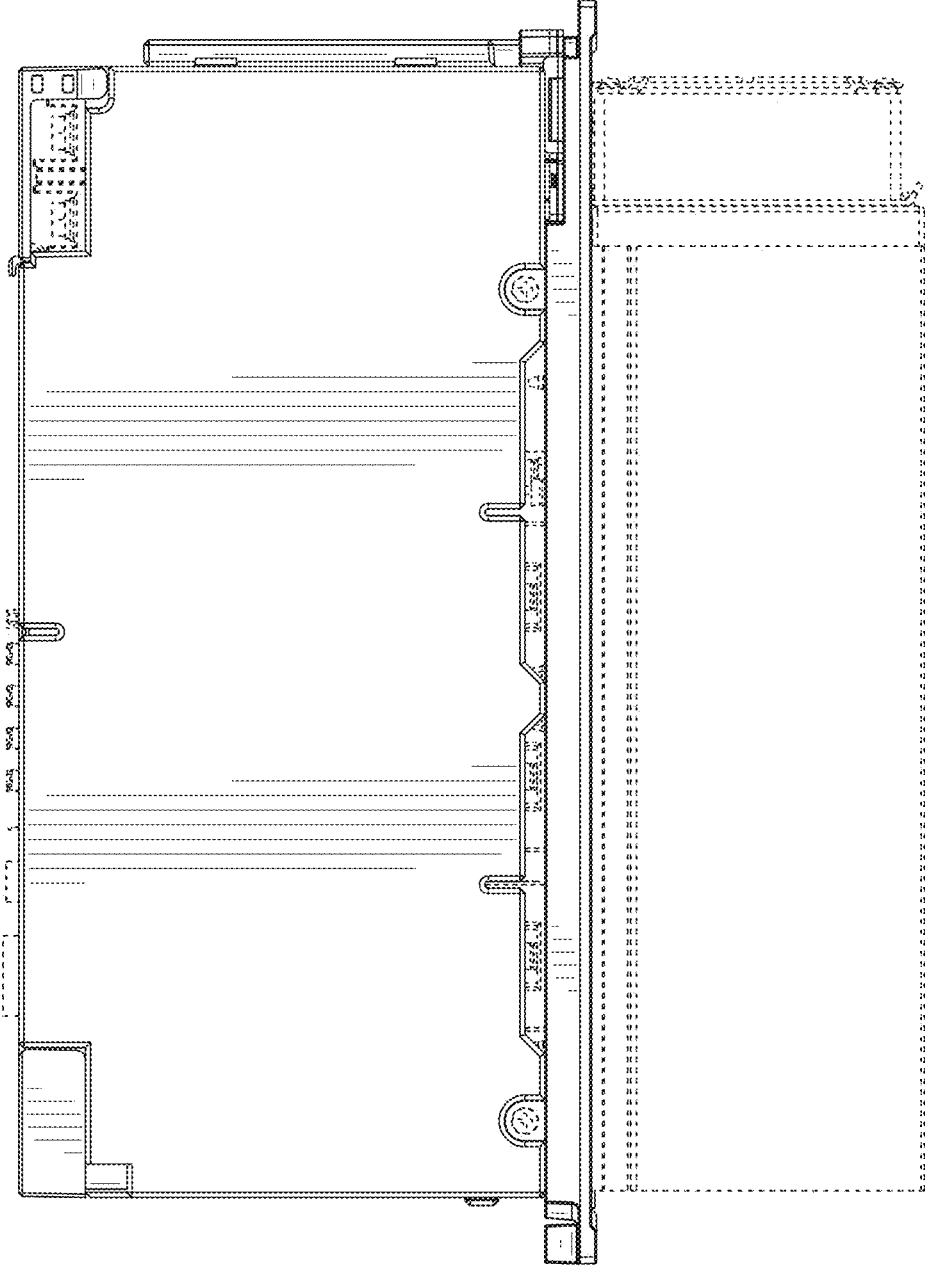


FIG. 9

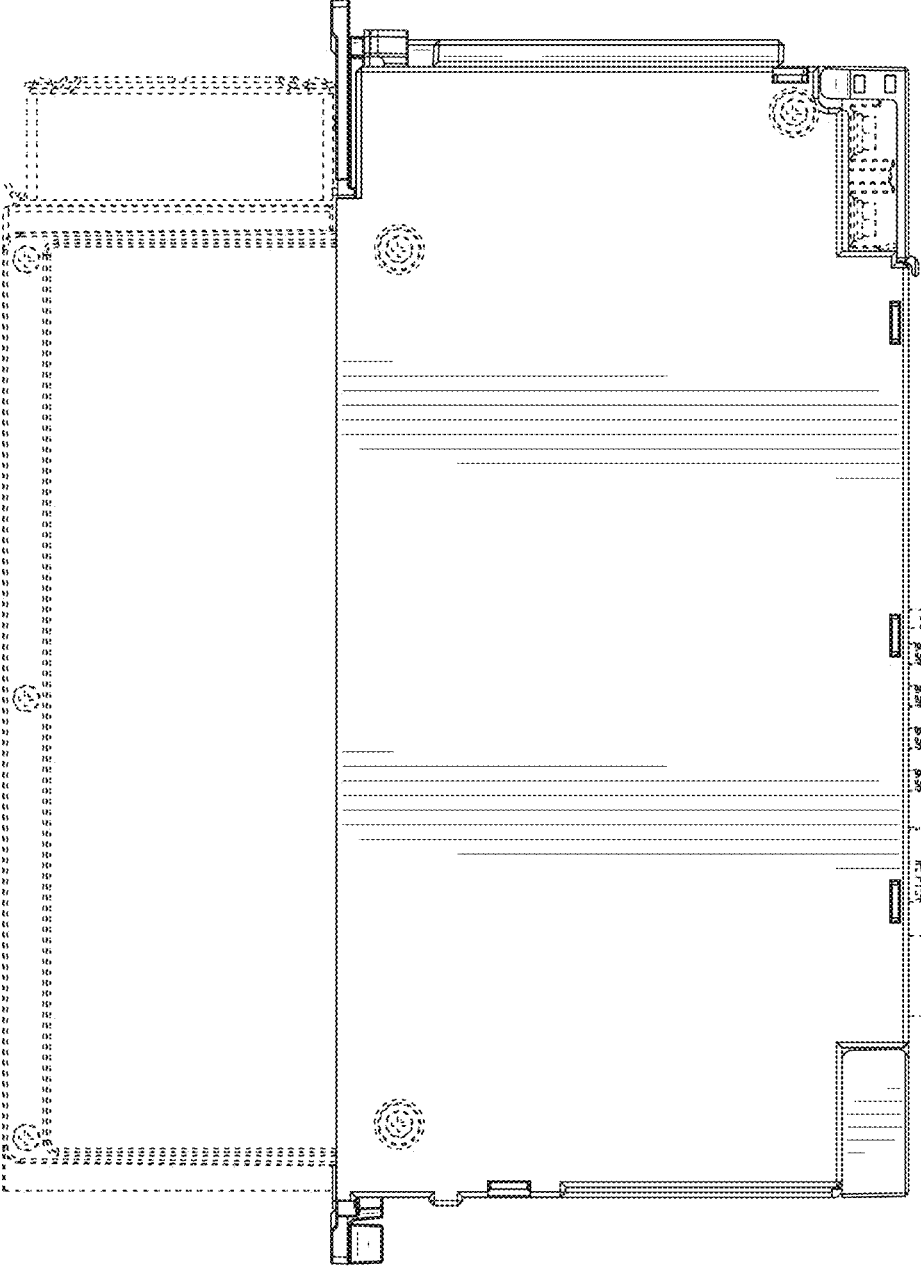


FIG. 10