

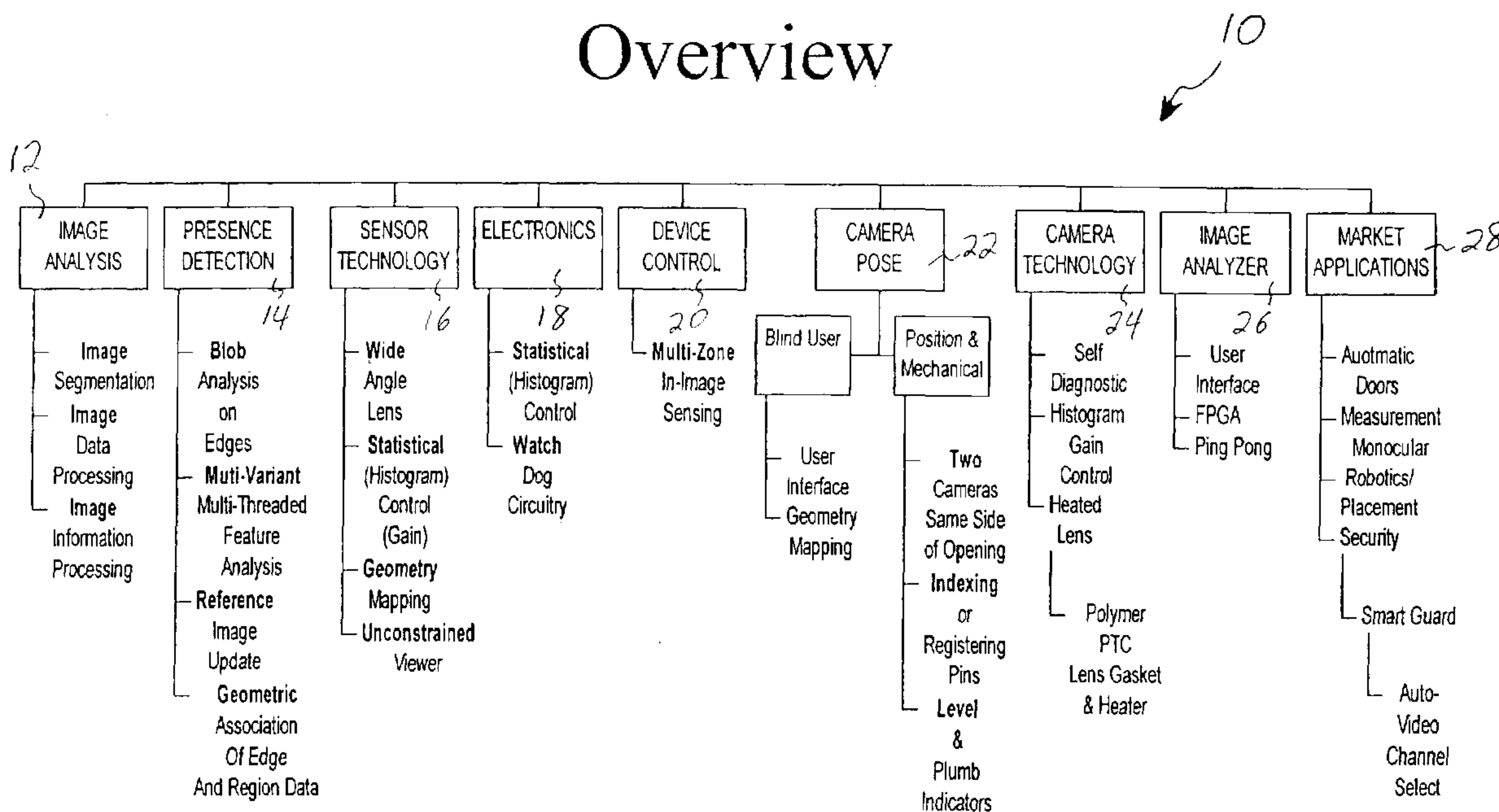


(86) Date de dépôt PCT/PCT Filing Date: 2001/08/31
 (87) Date publication PCT/PCT Publication Date: 2002/03/07
 (85) Entrée phase nationale/National Entry: 2003/02/28
 (86) N° demande PCT/PCT Application No.: US 2001/027351
 (87) N° publication PCT/PCT Publication No.: 2002/019698
 (30) Priorité/Priority: 2000/08/31 (60/229,613) US

(51) Cl.Int.⁷/Int.Cl.⁷ H04N 5/00
 (71) Demandeur/Applicant:
RYTEC CORPORATION, US
 (72) Inventeurs/Inventors:
GRASSO, DONALD P., US;
SONN, JOHN, US;
JOHNSON, STEVE, US
 (74) Agent: OGILVY RENAULT

(54) Titre : CAPTEUR ET SYSTEME D'IMAGERIE
 (54) Title: SENSOR AND IMAGING SYSTEM

Overview



(57) Abrégé/Abstract:

A system is disclosed having a camera, a processor, and a user interface. The camera transmits image data responsive to a scene within a field of view. In response to the image data, the processor indicates whether a condition has been satisfied. The user interface is operably connected to the processor and allows a user to select criteria for detection of objects, for indicating criteria selected, and for providing visual confirmation that an object has been detected.

(12) INTERNATIONAL APPLICATION PUBLISHED UNDER THE PATENT COOPERATION TREATY (PCT)

(19) World Intellectual Property Organization
International Bureau



(43) International Publication Date
7 March 2002 (07.03.2002)

PCT

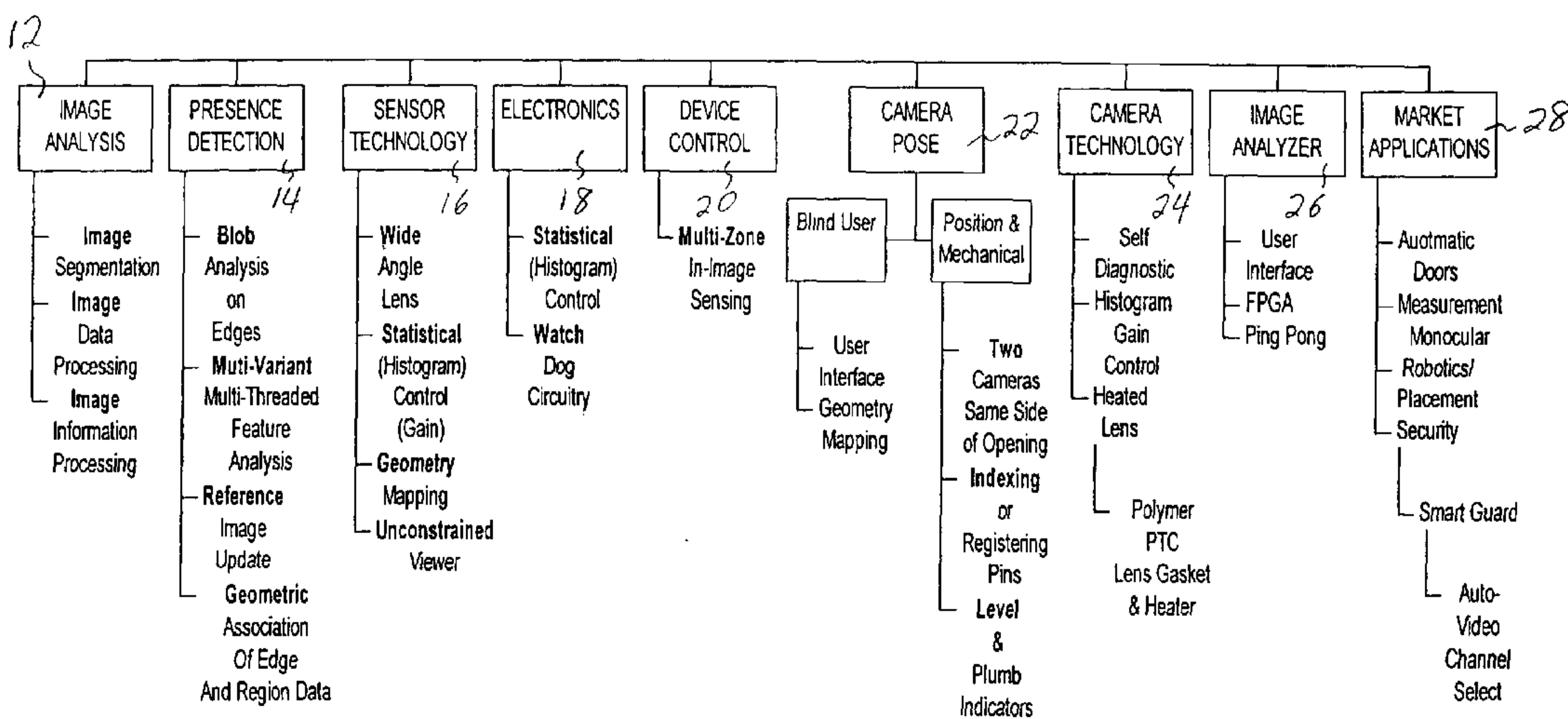
(10) International Publication Number
WO 02/19698 A2

- (51) International Patent Classification⁷: H04N 5/00
- (74) Agents: MORNEAULT, Monique, A. et al.; Wallenstein & Wagner, Ltd., 311 South Wacker Drive - 5300, Chicago, IL 60606 (US).
- (21) International Application Number: PCT/US01/27351
- (22) International Filing Date: 31 August 2001 (31.08.2001)
- (81) Designated States (national): AE, AG, AL, AM, AT, AU, AZ, BA, BB, BG, BR, BY, BZ, CA, CH, CN, CO, CR, CU, CZ, DE, DK, DM, DZ, EC, EE, ES, FI, GB, GD, GE, GH, GM, HR, HU, ID, IL, IN, IS, JP, KE, KG, KP, KR, KZ, LC, LK, LR, LS, LT, LU, LV, MA, MD, MG, MK, MN, MW, MX, MZ, NO, NZ, PL, PT, RO, RU, SD, SE, SG, SI, SK, SL, TJ, TM, TR, TT, TZ, UA, UG, US, UZ, VN, YU, ZA, ZW.
- (25) Filing Language: English
- (26) Publication Language: English
- (30) Priority Data: 60/229,613 31 August 2000 (31.08.2000) US
- (84) Designated States (regional): ARIPO patent (GH, GM, KE, LS, MW, MZ, SD, SL, SZ, TZ, UG, ZW), Eurasian patent (AM, AZ, BY, KG, KZ, MD, RU, TJ, TM), European patent (AT, BE, CH, CY, DE, DK, ES, FI, FR, GB, GR, IE, IT, LU, MC, NL, PT, SE, TR), OAPI patent (BF, BJ, CF, CG, CI, CM, GA, GN, GQ, GW, ML, MR, NE, SN, TD, TG).
- (71) Applicant (for all designated States except US): RYTEC CORPORATION [US/US]; One Cedar Parkway, P.O. Box 403, Jackson, WI 53037-0403 (US).
- (72) Inventors; and
- (75) Inventors/Applicants (for US only): GRASSO, Donald, P. [—/US]; 472 Elder Lane, Winnetka, IL 60093 (US). SONN, John [—/US]; 7155 O'Donohue, Hartford, WI 53029 (US). JOHNSON, Steve [—/US]; 32 Saconnet Trail, Little Compton, RI 02837 (US).
- Published: — without international search report and to be republished upon receipt of that report

[Continued on next page]

(54) Title: SENSOR AND IMAGING SYSTEM

Overview



(57) Abstract: A system is disclosed having a camera, a processor, and a user interface. The camera transmits image data responsive to a scene within a field of view. In response to the image data, the processor indicates whether a condition has been satisfied. The user interface is operably connected to the processor and allows a user to select criteria for detection of objects, for indicating criteria selected, and for providing visual confirmation that an object has been detected.

WO 02/19698 A2

WO 02/19698 A2



For two-letter codes and other abbreviations, refer to the "Guidance Notes on Codes and Abbreviations" appearing at the beginning of each regular issue of the PCT Gazette.

SENSOR AND IMAGING SYSTEM

DESCRIPTION

Related Applications

This application claims the benefit of U.S. Provisional Patent Application Serial No. 60/229,613, filed August 31, 2000, and incorporated herein by reference.

Technical Field

5 The present invention relates to sensor and imaging systems, and more particularly to a system for providing and interpreting image data.

Background of the Invention

Sensor and imaging systems are increasingly in demand in today's technology driven economy. These systems include a camera for viewing objects included within
10 a field of view. The camera generates image data that is analyzed by a computer to determine what, if any, action should be taken in response to the object detected.

Many recognition systems use two or more cameras for viewing objects included within one field of view. In addition to the costs associated with using several cameras, these systems require a specific mounting arrangement for each of the cameras.
15 Such systems have a reduced level of reliability over single camera systems because both cameras are needed for proper operation.

Single camera systems are typically mounted at a fixed location and look for objects that satisfy, or fail to satisfy, predetermined criteria. For instance - systems that check for structural defects. These systems are incapable of making decisions that are
20 not already specified.

Accordingly, a need exists for a sensor and imaging system that, by using an image provided by a camera, can decide whether a condition has, or has not, been satisfied.

Summary of the Invention

In an embodiment in accordance with the present invention, a system is provided having a camera, a processor, and a user interface. The camera transmits image data responsive to a scene within a field of view. In response to the image data, the processor indicates whether a condition has been satisfied. The user interface is operably connected to the processor and allows a user to select criteria for detection of objects, for indicating criteria selected, and for providing visual confirmation that an object has been detected.

In another embodiment, a control interface is also provided for effecting other devices. Further, the system provides signals to influence other devices.

In yet another embodiment, the system provides a signal to open a door upon a determination by the processor that a condition has been satisfied. The door is then open by a conventional electro mechanical door opener system having a drive motor operably connected to the door.

Other features and advantages of the invention will be apparent from the following specification taken in conjunction with the following drawings.

Brief Description of the Drawings

FIGURE 1 is a block diagram of an embodiment of a sensor and imaging system in accordance with the present invention;

FIGURE 2 is a simplified schematic of another embodiment of a sensor and imaging system in accordance with the present invention and having a pair of camera assemblies connected to a pair of sensor/imaging circuits, respectively;

FIGURE 3 is an elevation view of a closed door having the camera assemblies of FIGURE 2 mounted in proximity thereto;

FIGURE 4 is similar to FIGURE 3 except the door is open;

FIGURE 5 is a perspective partial assembly view of one of the camera assemblies of FIGURE 2 for attachment to a header above the door of FIGURE 3;

FIGURE 6 is a cross-sectional view of the camera assembly of FIGURE 5;

FIGURE 7 is a plan view of a heater assembly attached to the window of the camera assembly housing of FIGURE 5;

FIGURE 8 is a cross-sectional view of the heater assembly, and window, taken along plane A-A of FIGURE 7;

5 FIGURE 9 is a simplified schematic of the camera within the camera assembly of FIGURE 8 connected to one of the video processors of FIGURE 2,

FIGURE 10 is a top, perspective view, of one side of the door of FIGURE 3 and 4 wherein one of the camera assemblies of FIGURE 2 has a field of view that includes the area in front of the door;

10 FIGURE 11 is a graphical illustration of the pixel density of the field of view within FIGURE 10 as objects are placed further away from the camera assembly;

FIGURE 12 provides a plurality of safety zone configurations that can, in an embodiment, be selected by a user using the membrane keypad of FIGURE 2;

15 FIGURE 13 is a plan view of an embodiment of the membrane keypad depicted in FIGURE 2;

FIGURE 14 is a plan view of a zone positioning method using the membrane keypad of FIGURE 13;

20 FIGURE 15 is a simplified block diagram of one of the object sensor/imaging circuits of FIGURE 2 having a Field Programmable Gate Array (FPGA) and a Central Processing Unit (CPU);

FIGURE 16 is a top-level simplified block diagram of a processing system in accordance with the present invention, having an image processing module within the FPGA of FIGURE 15, a feature processing module executed by the CPU of FIGURE 15, and a detection processing module executed by the CPU of FIGURE 15;

25 FIGURE 17 is a simplified block diagram of an initialization sequence for the processing system of FIGURE 16, for initializing input parameters and calculating related, derived parameters, for initializing detection threshold tables, and for initializing detection and feature calculation zones;

FIGURE 18 is a simplified block diagram of the initialization sequence for the processing system of FIGURE 16, for initializing the FPGA image processing thresholds and video digitizer settings from user input data via the FPGA serial input/output board, and for initializing the feature and detection processing systems;

5 FIGURE 19 is a simplified block diagram of a video loop processing sequence for the processing system of FIGURE 16, utilizing a ping-pong buffer to point to, load and unpack reference images into user data;

FIGURE 20 is a simplified block diagram of the video loop processing sequence for the processing system of FIGURE 16, utilizing user data in the CPU to
10 generate features and detection decisions on a current image frame;

FIGURE 21 is a simplified block diagram of the video loop processing sequence for the processing system of FIGURE 16, having diagnostic messages outputted at the end of each frame processing and at any point in the video processing;

FIGURE 22 is a simplified block diagram of a ping-pong system in
15 accordance with the present invention;

FIGURE 23 is a simplified block diagram of the initialization of the ping-pong system depicted in FIGURE 22;

FIGURE 24 is a simplified block diagram of the ping-pong process loop for the ping-pong system of FIGURE 22;

20 FIGURES 25 is a simplified block diagram of an automatic contrast compensation initialization for the processing system of FIGURE 16, for changing the video gain in response to image characteristic criteria and time dynamic criteria;

FIGURE 26 is a simplified block diagram of the automatic contrast compensation in a video loop for the processing system of FIGURE 16, for changing the
25 video gain in response to image characteristic criteria and time dynamic criteria;

FIGURE 27 is a simplified block diagram of the zone initialization sequence for the system initialization of FIGURE 17, for building zones in real world coordinates, generating zone submasks and constructing zone masks;

FIGURE 28 is a simplified block diagram of the threshold tables initialization sequence for the system initialization of FIGURE 17, having an initialize camera intrinsic parameters module, a resolution model module and an object model module;

5 FIGURE 29 is a simplified block diagram of the image processing module for the processing system of FIGURE 16, having an edge detector;

FIGURE 30 is a simplified block diagram of the image processing module for the processing system of FIGURE 16, having a motion detector that uses regions;

10 FIGURE 31 is a simplified block diagram of the image processing module for the processing system of FIGURE 16, having region analysis for shadow and lightbeam processing;

FIGURE 32 is a simplified block diagram of the image processing module for the processing system of FIGURE 16, having a motion detector that uses edges;

15 FIGURE 33 is a simplified block diagram of the feature processing module for the processing system of FIGURE 16, for calculating presence, motion, frame and region features;

FIGURE 34 is a simplified block diagram of the feature generation system of FIGURE 33, having a label module, a calculate global presence features module and a calculate zone presence features module;

20 FIGURE 35 is a simplified block diagram of the calculate presence feature system of FIGURE 34, for calculating global presence features;

FIGURE 36 is a simplified block diagram of the calculate presence feature system of FIGURE 34, for calculating zone presence features;

25 FIGURE 37 is a simplified block diagram of the feature generation system of FIGURE 33, having a label module, a calculate global shadow and lightbeam features module, and a calculate shadow and lightbeam zone features module;

FIGURE 38 is a simplified block diagram of the calculate shadow and lightbeam region features system of FIGURE 37, for calculating global shadow and lightbeam features;

FIGURE 39 is a simplified block diagram of the calculate shadow and lightbeam region features system of FIGURE 37, for calculating shadow and lightbeam zone features;

5 FIGURE 40 is a simplified block diagram of a split histogram grey level analysis for the processing system of FIGURE 16;

FIGURE 41 is a simplified block diagram of the feature generation system of FIGURE 33, for calculating frame features;

FIGURE 42 is a simplified block diagram of the information processing module of FIGURE 16, for detecting the presence of an object from features generated;

10 FIGURE 43 is a simplified block diagram of the information processing module of FIGURE 16, for evaluating and updating reference images;

FIGURE 44 is a simplified block diagram of the information processing module of FIGURE 16, for changing threshold values relative to changing background values from the field of view;

15 FIGURE 45 is a simplified block diagram of the information processing module of FIGURE 16, for determining the geometric association of edge and zone data in a detected object;

FIGURE 46 is a continuation of FIGURE 45 for the simplified block diagram of the information processing module of FIGURE 16, and includes testing region edges to determine zone intersections in detected objects;

FIGURE 47 is a continuation of FIGURE 46 for the simplified block diagram of the information processing module of FIGURE 16, and includes evaluating region scores of zones to determine zone intersections in detected objects;

FIGURES 48 and 49 are tables for defining various image operations;

25 FIGURE 50 is a representative example of a background or reference image;

FIGURE 51 is similar to FIGURE 50 except it is a current image wherein an object has entered the field of view;

FIGURE 52 is the difference between subtracting the reference image in FIGURE 50 from the current image in FIGURE 51;

FIGURE 53 is the difference between subtracting the current image in FIGURE 51 from the reference image in FIGURE 50;

5 FIGURE 54 is a resulting image after thresholding and shape filtering the image in FIGURE 52;

FIGURE 55 is a resulting image after thresholding and shape filtering the image in FIGURE 53;

10 FIGURE 56 is a resulting image after completing a logical OR operation on the images in FIGURE 54 and FIGURE 55; and

FIGURE 57 is similar to FIGURE 56 except that regions within the image of FIGURE 56 are labeled for classification.

Detailed Description of the Preferred Embodiment

15 While this invention is susceptible of embodiments in many different forms, there is shown in the drawings and will herein be described in detail preferred embodiments of the invention with the understanding that the present disclosure is to be considered as an exemplification of the principles of the invention and is not intended to limit the broad aspect of the invention to the embodiments illustrated.

20 Turning to FIGURE 1, a block diagram of an embodiment of a system in accordance with the present invention is depicted. The system 10 includes aspects directed to image analysis 12, presence detection 14, sensor technology 16, electronics 18, device control 20, camera pose 22, camera technology 24, image analysis 26, and market applications 28.

25 Turning to FIGURE 2, a simplified schematic of another embodiment of a system in accordance with the present invention is depicted. The system 110 includes a pair of camera assemblies 112,113 operably connected, respectively, to a pair of sensor/imaging circuits 114,115. The sensor/imaging circuits 114,115 are operably connected to an I/O display board 116 that is connected to a keypad 118. In a further

embodiment, the system 110 can include an electro mechanical door opener system 117 having a drive motor 119 operably connected to a door 121 (FIGURES 3 and 4).

The cameras assemblies 112 and 113 can include charge coupled devices (CCD), or the like, having preferably a wide-angle lens, and capable of transmitting image data to the sensor/imaging circuits 114 and 115, respectively. The image data corresponds, respectively, to a scene within each camera's field of view.

The sensor/imaging circuits 114, 115 process the image data for determining whether a user selected condition has been satisfied. The user selected conditions are selected via a man-machine interface comprising the I/O display board 116 and the membrane keypad 118. In an embodiment, the man-machine interface is operably connected to the sensor/imaging circuits 114, 115 and allow a user to select criteria for detection of objects, for indicating criteria selected, and for providing visual confirmation that an object has been detected.

FIGURE 3 provides a cross sectional elevation view of a doorway 120 that is closed by a door 121. Mounted in proximity to the doorway 120 and on opposite sides thereof are the camera assemblies 112, 113 of FIGURE 2. According, the camera assemblies 112 and 113 have a field-of-view 122 and 123, respectively, on opposite sides of the doorway. Preferably, the field-of-view of at least one camera assembly includes the doorway 120 when the door 121 is open as shown in FIGURE 4. Further, the field-of-views 122 and 123 overlap about the doorway 120.

Turning to FIGURE 5 a perspective partial assembly view is depicted of one of the camera assemblies 112, 113 of FIGURE 2 for attachment to a header above the door 121 of FIGURE 3. The camera assembly includes a housing assembly 131 having a window 132. FIGURE 6 provides a cross-sectional view of the camera assembly of FIGURE 5. Mounted within the housing assembly 131 is a camera 134 having a field-of-view 136 and a heater assembly 140. In a further embodiment, a power supply (not shown) can be mounted within the heater assembly for supplying power to the camera 134.

FIGURES 7 and 8 provide a plan view and a cross-sectional view, respectively, of the heater assembly 140. In an embodiment, the heater assembly 140 adjoins the window 132 of the camera assembly housing 131, preferably made of cast metal or the like, and includes a ceramic resistor 142 sandwiched between a pair of
5 conductive terminals 144,145. The ceramic resistor 142 is generally ring shaped and constructed of a material that exhibits what is commonly referred to as a PTCR (positive-temperature coefficient or resistance) or PTC effect. Likewise, the conductive terminals 144,145 are generally ring shaped and constructed of an electrically and thermally conductive material such as copper.

10 In an embodiment, annular apertures 146 extend through the axis of the ceramic resistor 142 and the conductive terminals 144,145. The apertures 146 have substantially identical outer circumferences and are concentrically aligned with each other.

Preferably, the outer perimeter 148 of conductive terminal 145 includes a
15 plurality of ears 150 extending outwardly therefrom. Extending through each ear 150 is an aperture 152 for extending an attachment screw 154 (FIGURE 9) therethrough.

Turning to FIGURE 9, the heater assembly 140 is mounted within the housing 131 of the camera assembly. As indicated previously, attachment screws 154 couple the conductive terminal 145 of the heater assembly 140 to a mounting surface, or
20 alternatively, mounting posts 156 that inwardly extend into the housing 131 and are integrally attached thereto.

The camera assembly housing 131 includes an aperture 158 that allows the camera's field-of-view 136 to extend outside of the housing. The window 132 is mounted over the aperture 158 to prevent contaminants such as dirt and moisture from
25 entering the camera assembly.

Preferably, the window 132 is sandwiched between the thermally conductive terminal ring 145 of the heater assembly 140 and an annular gasket 160 made of a resilient material and adjoining against the inner surface 162 of the camera assembly

housing 131 about aperture 158. In an embodiment, the window 132 is made of a visually transparent material such as borosilicate glass

The camera 134 generates image data or electronic pixel data 218 representative of what is observed in the camera's field-of-view 136. In an embodiment, the image data 218 is analyzed by one of the video processors 114,115 (FIGURE 2) for determining what, if any, action should be taken in response to what is detected in the camera's field-of-view 136.

Within the camera assembly housing 131, the terminals 144,145 of the heater assembly 140 are coupled to a voltage source 166 for maintaining a voltage potential across the ceramic resistor 142. The heat generated by the ceramic resistor 142 as current flows therethrough is dissipated through conductive terminal 145 and onto the window 132. In an embodiment, enough heat is provided to maintain the window 132 at a temperature above the dew-point of the air outside of the camera assembly housing 131. For instance, the heater can activate at about 87°F and deactivate at about 106°F.

As will be appreciated by those having skill in the art, the use of a ceramic resistor 142 eliminates the need for a mechanical thermostat or the like since the resistor material exhibits a positive-temperature coefficient. The elimination of a thermostat increases the reliability of the heater and reduces the amount of noise placed on voltage supplies as a result of switching.

Turning back to FIGURE 2, in an embodiment the camera assemblies 112,113 can include an illumination source (not shown), such as a lightbulb, light emitting diodes within the humanly visible or non-visible spectrum, or the like, to illuminate the field of view. The output of the camera assemblies 112,113 can be received by a removably coupled display (not shown) for allowing a user to view check that each camera assemblies' field of view is properly configured.

Turning to FIGURE 10 a top perspective view is provide of one side of the door 121 of FIGURE 3 and 4 wherein one of the camera assemblies (in particular camera assembly 112) of FIGURE 2 has a field of view 122 that includes the area in front of the

door. The camera assembly 122 provides image data to the video processor 114 (FIGURE 2) which, in an embodiment, superimposes a safety zone 168 and, if desired, one or more activation zones 170. Preferably, when an object is detected by either of the video processors 114,115 to be in a safety zone 168, the door 121 is opened and remains so until the object is outside of the safety zone 168. Further, when an object is detected by either of the video processor 114,115 to enter an activation zone 168, the door 121 is opened are remains open for a period of time after the object stops moving in the activation zone or leaves the activation zone.

Preferably, the safety zone 168 is maintained in an area immediately surrounding the door 121 to prevent the door from closing when a person or object is in the immediate vicinity of the door. Moreover, the activation zone(s) 168 open the door when a person or vehicle approaches the door 121. A failsafe system can also be provided to open the door 121 whenever there is a loss of illumination within the field of view, severe illumination changes, electronics failure, camera knocked ajar, or the camera lens is obscured.

FIGURE 11 depicts the pixel density of the field of view 122 as objects are placed further away from the camera assembly 122. FIGURE 12 provides a plurality of safety zone configurations that can, in an embodiment, be selected by a user using the membrane keypad 118 (FIGURE 2).

FIGURE 13 provides an plan view of an embodiment of the membrane keypad 118 depicted in FIGURE 2. The membrane keypad 118 and the I/O display board 116 (FIGURE 2) provide a user interface or man-machine interface for a user to setup the system (FIGURE 2). In an embodiment, the user interface allows a user to define the door type, and dimensions, and establish the size, location, and type of detection zones the system 110 will use. Preferably, the user interfaces allows a user to enter data to define at least one control zone parameter (i.e., activation zone or safety zone) from the group consisting of area, location, shape, number of control zones, and control criteria.

As indicated previously, the system 110, via the user interface, has the capability to define at least a portion of an image received by the camera assemblies as a control zone. In an embodiment, the system 110 has the capability to choose coordinates from all pixel coordinated by direct access within the control zone. Alternatively, the system 110 has the capability to choose from multiple predefined zones. Moreover, the system 110 can have the capability to put real objects in the field of view so as to delineate boundary coordinates and the real objects become part of the image data.

In an embodiment, the user interface has three modes of operation: parameter edit mode, run mode, and diagnostic mode. In parameter edit mode, a user can input or modify configuration parameters, using touch keypad buttons 610, 622, 624, and 626, such as the door model, English or metric units, camera heights and distance from the door. In the run mode, the system 110 is activated. As such, the system 110 processes images from the cameras 112,113 and outputs safety and activation zone indication signals through the I/O board 116, and displays status information on the display LEDs 614, and 616. In the diagnostic mode, additional information regarding the status of the system 110 is made available via an I/O port (not shown).

FIGURE 14 provides a diagram depicting movement of zones using the membrane keypad of FIGURE 13. In an embodiment, a user can move activation zones to various locations within the field-of-view of the camera assemblies 112,113.

FIGURE 15 provides a simplified block diagram of one of the sensor/imaging circuits 114,115 of FIGURE 2. In an embodiment, the sensor/imaging circuits 114,115 are substantially similar in physical design and include a Field Programmable Gate Array (FPGA) 124, a Central Processing Unit (CPU) 125, and a video digitizer 126.

In an embodiment, the video digitizer 126 receives an analog image signal from one of the cameras, digitizes the analog image signal, and transmits the digitized image signal to the field programmable gate array 124.

As explained in detail further herein, the field programmable gate array 124 is programmed to perform one or more image processing operations in response to the digitized image signal received. In an embodiment, these operations include comparing predetermined traits of the digitized image signal with one or more previously received digitized image signals to provide composite image data. In response to the composite image data, the central processing unit 125 determines whether one or more conditions have been satisfied.

Operably coupled to the video digitizer 126 is a temperature sensor 128 having an output correlating to the temperature of the video digitizer. Upon an indication by the temperature sensor of a condition whereby the video digitizer 126 is not operating within a predetermined temperature range or limit, reset command is issued by a reset circuit 130 whereby the system 110 maintained in a reset state until the temperature of the video digitizer returns to within the predetermined temperature range or limit.

In an embodiment, the FPGA 124 performs a relatively high-rate pixel processing in order to unburden the CPU 125 and achieve a desired video processing frame rate. This hardware architecture balance reduces overall system cost by removing the cost associated with an adequately fast CPU chip. A further frame rate speed up can be achieved by using the FPGA and CPU processing simultaneously in parallel. This parallel processing is accomplished by FPGA pixel processing the next frame during the interval that the CPU is data processing the current frame. Thus, the new FPGA output is immediately available to the CPU process when the CPU finishes the current frame data processing. This process structure requires the ability to maintain two independent sets of data, and is referred to later herein as ping/pong control.

Turning to FIGURE 16, a top-level simplified block diagram is depicted of a processing system in accordance with the present system. The system preferably includes an image processing module 212 within the FPGA 124 of FIGURE 15, a feature processing module 214 executed by the CPU 125 of FIGURE 15, and a detection processing module 216 also executed by the CPU 125 of FIGURE 15.

In an embodiment, the image processing module 212 receives stored electronic pixel data 218 comprising current image data 220, reference image data 222, reference edges data 224, and previous image data 226. Preferably, the current image data 220 is the most recently taken image (i.e., taken at t), the previous image data 226 is the next most recently taken image data (i.e., taken at $t+1$), and the reference image data 222 is the oldest of the taken image data (i.e., taken at $t+1+x$). Moreover, as explained in detail further herein, the reference edges data 224 consists of edge data extracted from the reference image data 222.

The image processing module 212 also receives parameter data 228 from the man-machine interface (i.e., membrane keypad 118 and I/O display board 116 of FIGURE 2). As explained in detail further herein, the parameter data 228 includes information pertaining what areas (i.e., control zones) that a detected object within the field of views (112 and 123 of FIGURES 2 and 3) is to result in opening of the door 121 (FIGURES 2 and 3).

As explained in detail further herein, in response to the electronic pixel data 218 and the parameter data 228, the image processing module 212 produces derived image data 230 comprising edge segmentation, motion segmentation, and region segmentation.

The feature processing module 214 receives the derived image data 230 and the parameter data 228. As explained in detail further herein, the feature processing module 214 produces, in response to the image data 230 and parameter data 228, feature data 232 comprising edge features, motion features, region features, and frame features.

The detection processing module 216 receives the feature data 232 and the parameter data 228. In response to the data, the detection processing module 216 produces control signals 234 comprising a detection signal for opening and closing the door 121 (FIGURES 2 and 3), reference updates, and adaptive thresholds.

Turning to FIGURES 17 and 18, a simplified block diagram is depicted of an initialization sequence for the processing system of FIGURE 16. The initialization

sequence 234 includes an initialize parameters step 236, an initialize threshold tables step 238, an initialize zones step 240, an initialize FPGA step 242, an initialize video digitizer step 244, and an initialize video system step 246.

5 The initialize parameters step 236 includes initialization of the man-machine interface and constant data and derived parameters. During initialization of the man-machine interface, user entered data is read and stored into memory. Constant data is also loaded into memory along with derived parameters relating to control zones for opening and closing the door.

10 Thus, as indicated above, upon application of power to the system, the initialize parameter module 236 initiates the initialization of the man-machine interface (i.e., membrane keypad 118 and I/O display board 116 of FIGURE 2), constant data, and derived parameters. The initialize threshold table module 238 initiates the initialization of the area threshold maps from the camera geometry and resolution models. These maps are used to determine minimum and maximum pixel characteristics of objects such
15 as people and vehicles such as, for example, forklifts.

The initialize zones module 234 initiates the initialization of the control zones whereupon data associated with user or predefined safety zones and activation zones is complied. The initialize FPGA 242 and the initialize video digitizer 244 initiates the initialization of the FPGA 124 (FIGURE 15) and the video digitizer 126 (FIGURE 15),
20 respectively. In particular, the control status register (CSR) and image buffers pointer are initialized during FPGA initialization. Further, the video digitizer is initialized by constructing the required instructions and sending them, via the FPGA serial I/O.

25 The initialize video system 246 initiates the initialization of the CPU 125 (FIGURE 15). In particular, the first ping-pong data set is selected. Next, the FPGA is instructed to capture a video frame. Four images (reference images) are then initialized - a grey level reference (R), an edge reference (GER) and an archive edges reference. The FPGA is then instructed to process these data. The FPGA outputs are retrieved from the FPGA into the Bank 0 database.

After the system is initialized, the system operates in a video processing loop depicted in the simplified block diagrams of FIGURES 19-22. In an embodiment, the video processing loop 250 includes a get next frame step 252, a retrieve FPGA data step 254, a calculate all features step 214, a calculate detection & control step 258, a save FPGA data step 260, and a write diagnostics step 262.

Within the video processing loop 250, the CPU 125 process use the current ping/pong buffer to point to, load and unpack that data into a third database - the user data - bank U. This data is used in the CPU process later to generate features and detection decisions on the current frame. Preferably, at the same time, the CPU process starts the FPGA capture and process activity on the FPGA 124. While the CPU is processing features for the current frame, the FPGA is computing image data for the next frame. The detection and control activity sends the safety and activate signals out through the FPGA serial I/O interface. The CPU feature and detection processing takes longer than the FPGA computations. When the CPU finishes the current frame, the FPGA data is retrieved to the opposite bank (e.g., Bank 1 if processing Bank 0). Diagnostic messages can be output at the end of each frame processing, as well as at any point in the video processing. The process then loops to set Bank U to the new current bank (Bank 0 or Bank 1), and the FPGA is again initiated.

Turning to FIGURE 22, a simplified block diagram is provided of an embodiment of a system resources allocation method, or ping/pong control, in accordance with the present invention. As stated previously, the video processing system 110 includes an FPGA 124 for image processing. This results in the production of derived image data 230 comprising edge segmentation, motion segmentation, and region segmentation.

Once the derived image data 230 is produced, it is preferably stored within one of a plurality of memory banks 230a,230b and then provided, via switching, for feature processing. Accordingly, the derived image data 230 provided to the feature processing module 214 is static. However, the FPGA 124 continuously processes the

electronic pixel data 218 and loads the results of the image processing, via switching, into the memory bank not currently accessible to the processing module 214. Accordingly, the derived image data 230 within the memory banks is accessible to the feature processing module via switched between the memory banks 230a,230b on a first-in-first-out basis.

Preferably, two memory banks 230a and 230b are provided. Turning back to FIGURE 19, the get next frame step 252 provides for the capture and processing of electronic pixel data 218 by the image processing module 212 within the FPGA 124. In particular, a control and status register (CSR) is used for selection of the memory banks 230a,230b and to set capture & process bit.

The retrieve FPGA data step 254 provides for obtaining the static data within the memory banks for processing of the static data during the calculating all features step 256. In particular, temporary storage registers and counters are reset, and the static data is unpacked to provide the derived image data 230 for processing by the feature processing module 214 (FIGURE 16).

In an embodiment, and as explained in detail further herein, the feature processing module 214 (FIGURE 16) performs the calculate all features step 256, in response to the derived image data 230 (FIGURE 16) and parameter data 228 (FIGURE 16). In particular, the calculate all features step 256 produces feature data 232 (FIGURE 16) comprising edge or P features, motion features, shadow and lightbeam or region features, and frame features.

Further, the detection processing module 216 performs the calculate detection & control step 258, in response to the feature data 232 (FIGURE 16) and parameter data 228 (FIGURE 16). In particular, frame analysis fault flags are evaluated, detection logic is executed, reference frame update requires are evaluated, automatic adaptive thresholds are evaluated, and motion reference data is updated.

The save FPGA data step 260 occurs once the FPGA 124 (FIGURE 15) provides an interrupt to the CPU 125 (FIGURE 15) indicating that the FPGA has

completed processing of another image frame and the data is ready for processing by the feature processing module (FIGURE 16). Moreover, if desired, the write diagnostics step 262, which is performed by CPU 125 (FIGURE 15), can store within memory one or more messages regarding how the processing of the previous frame data progressed. The video processing loop 250 then preferably continues back to the get next frame step 252.

Turning to FIGURE 23, a simplified block diagram is provided of an embodiment of an initialization procedure for the ping-pong system of FIGURE 22. In an embodiment, the ping-pong initialization procedure 264 includes an initialize ping-pong addresses module 265, a capture video buffer module 266, a capture frame module 267, an initiate video references module 268, a process video module 269, a process frame module 270, and a retrieve FPGA data module 271.

FIGURE 24 provides a simplified block diagram of the ping-pong process loop 272 for the ping-pong system of FIGURE 22. The top of the loop 272 shows the CPU activity while the bottom shows the FPGA activity (not in time scale), with the associated serial I/O and CSR messaging.

FIGURES 25 and 26 illustrate the details of the ping/pong activity (initialization & video loop) in an alternative embodiment having an automatic contrast circuit (ACC). The ACC can be used to improve system detection performance due to slowly changing lighting conditions. The ACC does this by changing the video gain in response to image characteristic criteria and time dynamic criteria. The ACC maximizes gain while preventing too much image white saturation. After a gain change, the video system is reinitialized.

The ACC, when enabled by user input, functions during initialization to find the best starting gain by iterating and testing the image result. When a gain is found which satisfies established criteria, iterating stops, and the process continues to the video loop with the selected gain. The ACC also functions at the beginning of the video loop, but does not iterate to fine a satisfactory gain. Only a single gain change is performed in the loop per frame. The gain change and consequent video system initialization take

a much shorter time than a frame time (100 ms). The decision to require a gain change in the video loop is controlled by criteria calculated in the detection and control portion of the CPU activity. The criteria can include aging, zone activity, and long and short time-constant filters.

5 FIGURE 27 provides a simplified block diagram of the zone initialization sequence 240 for the system initialization of FIGURE 17. The zone initialization sequence 240 results in the building of zones in real world coordinates, generating control zone submasks and constructing control zone masks. FIGURE 28 provides a simplified block diagram of the threshold tables initialization sequence 238 for the
10 system initialization of FIGURE 17. The threshold tables initialization sequence 238 result in the initialization of camera intrinsic parameters, the resolution model, and the object model.

 Turning to FIGURE 29 (and referencing FIGURES 48 and 49), a simplified block diagram is provided of the image processing module for the processing system of
15 FIGURE 16 which includes an edge detector 301. The edge detector 301 preferably includes a modified Sobel operator module 302, a positive difference module 304, a threshold module 306, an erode module 308, and a label I module 310.

 In an embodiment, the modified Sobel operator module 302 receives current (B) image input 312 and generates the edge image (GEB) 314 from the current input
20 image. A reference image (GER) 316, initialized in the CPU, is subtracted from the current edge image in the positive difference operator module 304, where negative values are set to zero. The grey-level edge image is thresholded 306, eroded 308, and labeled 310. The output of the label I operator 310 is a 16-bit labeled image 318, an equivalence table 320, and counts of the number of labels used 322 and the number of entries in the
25 equivalence table. Counts of the number of set pixels in the binary input 324 and output 326 of the erode operator 308 are also output to the CPU, completing the edge image processing.

Label I operator 310 is used in each thread of the image processing. Label I 310 is the first part of a two step process used to produce the labeling of the connected components of the binary input. Label I 310 passes a 2x2 kernel over the binary input image beginning with the upper left of the image. The elements of the kernel are identified as follows:

B	C
A	X

If the binary pixel in X is zero, the output is zero. If X is set, the labels B, A, C are scanned in that order. If all of B, A, C are non-zero, the next value of a label counter is output at X and the counter is incremented. If any B, A, C are non-zero, the label operator is the value of the first non-zero label. If more than one of B, A, C is non-zero, the first non-zero value is output. If any of the remaining non-zero labels is different from the output value, the output value and the different value are written to an equivalence table.

Turning to FIGURE 30 (and referencing FIGURES 48 and 49), a simplified block diagram of the image processing module for the processing system of FIGURE 16, having a motion detector that uses regions 340. The system 340 preferably includes positive difference modules 342 and 344, threshold modules 346 and 348, and dilate modules 350 and 352 for both the current (B) input image (n) and previous (A) image (n-1) respectively. The output is passed to the inclusive OR module 354, erode module 356, and Label I module 358.

The positive difference of the current grey-level input image (B) 360 and the previous image (A) 362 is thresholded 346 and 348 and dilated 350 and 352, as well as the positive difference of A and B 342 and 344. The results are inclusively ORed 354. The resulting binary image is labeled as in the edge case (FIGURE 29), and the results are passed to the CPU.

The grey-level edge image is thresholded, eroded 356, and labeled 358. The output of the label I operator 358 is a 16-bit labeled image 364, an equivalence table 366,

and counts of the number of labels used 368 and the number of entries in the equivalence table. Counts of the number of set pixels in the binary input 370 and output 372 of the erode operator 356 are also output to the CPU, completing the motion detector image processing using regions.

5 Label I operator 358 is used in each thread of the image processing. Label I 358 is the first part of a two step process used to produce the labeling of the connected components of the binary input. Label I 358 passes a 2x2 kernel over the binary input image beginning with the upper left of the image. The elements of the kernel are identified as follows:

10 B C
A X

If the binary pixel in X is zero, the output is zero. If X is set, the labels B, A, C are scanned in that order. If all of B, A, C are non-zero, the next value of a label counter is output at X and the counter is incremented. If any B, A, C are non-zero, the label operator is the value of the first non-zero label. If more than one of B, A, C is non-zero, 15 the first non-zero value is output. If any of the remaining non-zero labels is different from the output value, the output value and the different value are written to an equivalence table.

Turning to FIGURE 31 (and referencing FIGURE 48 and 49), a simplified 20 block diagram of the image processing module for the processing system of FIGURE 16, having region analysis for shadow and lightbeam processing. The system 380 preferably includes positive difference modules 382 and 384, threshold modules 386 and 388, and dilate modules 390 and 392 for both the current (B) input image 394 and reference (R) input 396, respectively. The output is passed to the inclusive OR module 396, erode 25 module 400, and Label I module 402. The output of the label I operator 402 is a 16-bit labeled image 404, an equivalence table 406, and counts of the number of labels used 408 and the number of entries in the equivalence table. Counts of the number of set pixels

in the binary input 410 and output 412 of the erode operator 402 are also output to the CPU, completing the motion detector image processing using regions.

The system image processing region analysis detection operation is analogous to the motion detection operation of FIGURE 30 except that instead of using the immediately previous image input A, it uses a previous image called the reference image 396 which is updated on CPU command as a copy of the current input image. The region analysis thread also produces a difference image 414 and a 16-level histogram 416 for CPU use.

Turning to FIGURE 32 (and referencing FIGURES 48 and 49), a simplified block diagram of the image processing module for the processing system of FIGURE 16, having a motion detector that uses edges 420. The system 420 illustrates a selectable alternative motion detection image processing operation similar to the edge detection operation of FIGURE 29, except that it takes the current edge image (GEB) 422 and the previous edge image (GEA) 424 as input to the positive difference module 426. The positive difference of GEB 422 minus GEA 424 is thresholded 428, eroded 430 and labeled 432 as in FIGURES 19, 20, and 21.

The output of the label I operator 432 is a 16-bit labeled image 434, an equivalence table 436, and counts of the number of labels used 438 and the number of entries in the equivalence table. Counts of the number of set pixels in the binary input 440 and output 442 of the erode operator 430 are also output to the CPU, completing the system image processing having a motion detector that uses edges.

Turning to FIGURE 33, a simplified block diagram of the feature processing module 450 for the processing system of FIGURE 16, for calculating presence, motion, frame and region features. The system data processing, calculating all features, is performed in the FPGA to unburden the CPU and achieve the desired processing rate.

The presence (P) or edge feature module 452 and the shadow and lightbeam (SL) or region feature module 458 calculations are quite similar to the point of generating the edge/region score discounts. Moreover, within the P feature 452 and SL feature 458

calculations, the global calculations are very similar to the zone calculations. The zone calculations restrict the spatial range of feature calculations for each zone using the associated zone mask. The results of the P and SL feature calculations are stored in a database (feature tables) for use in detection determination 460.

5 Frame features 456 are calculated differently than P and SL features. Frame features 456 are not features of objects, but of the input grey level image and the current edge image. Frame statistics are computed in order to draw inferences about conditions of the camera and video system integrity. Frame statistics are also used to condition some detection variables that act as adaptive thresholds. Three fault flags can be set by
10 the calculate frame features module 456: illumination fault flag, obscure fault flag, and ajar fault 462. Each of these faults 462 is determined through associated metrics. The illumination fault is controlled by evaluating the modified Kuiper statistic, the uniform centered mean, and the variance of the grey level input. The obscure and ajar faults use the current and archive edges to detect whether the camera and/or video system have
15 become obscured or knocked ajar.

 The system 450 will not update the reference if any motion is detected in any zone. To determine if there is motion in each zone, the labeled edge image counts the number of non-zero pixels in the labeled zone, calculated in the presence P feature module 452. The non-zero pixels become motion pixels, calculated in the motion M
20 feature module 454. The system 450 counts the non-zero pixels in the motion labeled image to verify if the zone motion pixels in each zone is greater than zero (0). The system 450 counts the non-zero pixels in the zone detection mask for accumulation in the count.

 Turning to FIGURE 34, a simplified block diagram of the feature generation
25 system 470 of FIGURE 33, having a label module 472, a calculate global presence features module 474 and a calculate zone presence features module 476.

 The label module 472 receives presence input in the form of labeled edge image 478, equivalence tables 480, and label and conflict counts 482. The label module

472 resolves pixel labeling conflicts within the region, it replaces labels with region numbers, it makes an area call, renumbering regions with sequential indices, and re-indexes the region again, passing data related to the number of regions and regions image to the calculate global presence features model 474.

5 The calculate global presence features model 474 uses the regions image 484, the number of regions 486 and current edges (GEB) 488 to create a global feature table. The global feature table is first initialized, regions are labeled as to area, mean grey level intensity, histogram, and centroid. The region is then recalculated for variance of grey level and centroid, listing the features (global, safety,...) of the pixels within the region.

10 The calculate P feature zones module 476 takes the aforementioned regions image 484, number of regions 486, the current edges (GEB) 488 and creates a zone feature table using zone mask and rectangle 490. The system 470 determines motion in zones by calculating detection in a safety zone, a secondary safety zone, a door zone, a first activation zone, a second activation zone, a first guard zone, and a second guard
15 zone.

Turning to FIGURE 35, a simplified block diagram of the calculate presence (edge) feature system of FIGURE 34, for calculating global presence features module 500.

20 The global P features are calculated first by initializing the edge counts of the feature table 502. The global extent of the image is calculated in the image first pass module 504. Area, centroid, mean, histogram and edge counts are accumulated and put through the image second pass module 506 where a second central moments and variance is accumulated. The feature table pass module 508 calculates the derived features including the spread, elongation, orientation, and ellipse shape of the region. The
25 calculate region scores module 510 determines door rejection, edge shape suppression, and edge grey level suppression. A score comes from the grey level variance of the region and a discount is applied to the score. After region scores are calculated 510, the next region is looped through the calculations of the feature table pass module 508.

Turning to FIGURE 36, a simplified block diagram of the calculate presence feature system of FIGURE 34, for calculating zone presence features.

The zone presence P features are calculated first by initializing the zone counts of the feature table 522. The global extent of the zone is calculated in the zone first pass module 524. The zone is calculated to determine if pixels are in the selected zone mask. Area, centroid, mean, and histogram are also accumulated and put through the image second pass module 526 where a second central moments and variance is accumulated. The feature table pass module 528 calculates the derived features including the spread, elongation, orientation, and ellipse shape of the region. The calculate region scores module 530 determines door rejection, area proportion suppression, edge shape suppression, and edge grey level suppression. After region scores are calculated 530, the next region is looped through the calculations of the feature table pass module 528.

Turning to FIGURE 37, a simplified block diagram of the feature generation system 540 of FIGURE 33, having a label module, a calculate global shadow and lightbeam (SL) features module, and a calculate shadow and lightbeam zone features module.

The label module 542 receives presence input in the form of labeled edge image 544, equivalence tables 546, and label and conflict counts 548. The label module 542 resolves pixel labeling conflicts within the region, it replaces labels with region numbers, it makes an area call, renumbering regions with sequential indices, and reindexes the region again, passing data related to the number of regions and regions image to the calculate global presence features model 550.

The calculate global presence features model 550 uses the regions image 552, the number of regions 554 and the current difference image to create a global feature table. The global feature table is first initialized, regions are labeled as to area, mean grey level intensity, histogram, and centroid. The region image is then recalculated for variance of grey level and centroid second movements, listing the shape features of the image within the region.

The calculate SL feature zones module 558 takes the aforementioned regions image 552, number of regions 554, the current edges (GEB) 560 and creates a zone feature table using zone mask and rectangle 562. The system 540 determines motion in zones by calculating detection in a safety zone, a secondary safety zone, a door zone, a first activation zone, a second activation zone, a first guard zone, and a second guard zone.

Turning to FIGURE 38, a simplified block diagram of the calculate shadow and lightbeam region features 570 system of FIGURE 37, for calculating global shadow and lightbeam (SL) features.

The global SL features are calculated first by initializing the edge counts of the feature table 572. The global extent of the image is calculated in the image first pass module 574. Area, centroid, mean, histogram and edge counts are accumulated and put through the image second pass module 576 where a second central moments and variance is accumulated. The feature table pass module 578 calculates the derived features including the spread, elongation, orientation, ellipse shape factor of the region, modified kniper statistic and mapped mean and variance. The calculate region scores module 580 determines the SL score with region suppression from shadow and light beam discount, shape discount, and area discount and with transient suppression. After region scores are calculated 580, the next region is looped through the calculations of the feature table pass module 578.

Turning to FIGURE 39, a simplified block diagram of the calculate shadow and lightbeam region features 590 system of FIGURE 37, for calculating shadow and lightbeam (SL) zone features.

The zone SL features are calculated first by initializing the zone counts of the feature table 592. The global extent of the zone is calculated in the zone first pass module 594. The zone is calculated to determine if pixels or zone rectangle are in the selected zone mask. Area, centroid, mean, and histogram are also accumulated and put through the image second pass module 596 where a second central moments and variance

is accumulated. The feature table pass module 598 calculates the derived features including the spread, elongation, orientation, ellipse shape factor, modified kniper statistic, and mapped means and variance of the region. The calculate region scores module 600 determines the SL score with region suppression from shadow and light beam discount, shape discount, and area discount and with transient suppression. After region scores are calculated 600, the next region is looped through the calculations of the feature table pass module 598.

FIGURE 40 provides a simplified block diagram of a split histogram grey level analysis 700 for the processing system of FIGURE 16, and in particular the feature processing module 214. In an embodiment, the split histogram grey level analysis 700 can be provided to assist in the determination of region features.

FIGURE 41 provides a simplified block diagram of the feature generation system 750 of FIGURE 33, for calculating frame features. The system 750 includes a frame analysis initialization module 752, a compute frame statistics module 754, an interpret frame illumination metrics module 756, an interpret obscure metrics module 758, an interpret ajar metrics module 760, and an update FA filter 762.

FIGURE 42 is a simplified block diagram of the information processing module of FIGURE 16, for detecting the presence of an object from features generated. The detection sequence includes an evaluate fault flags module 800, an evaluate reference updates module 802, an automatic adaptive thresholds module 804, an update frame analysis data module 806, and an update motion reference module 808.

FIGURE 43 is a simplified block diagram of the information processing module of FIGURE 16, for evaluating and updating reference images. The evaluate reference updates sequence includes a zones motion detection module 822, an update update counters module 824, a decide standard update module 826, a decide archive update module 828, a decide gain change module 830, and a decide learn-outs module 832.

FIGURE 44 is a simplified block diagram of the information processing

module of FIGURE 16, for changing threshold values relative to changing background values from the field of view. The automatic adaptive thresholds sequence includes an initialize SL thresholds edge threshold 840, a calculate zone statistics module 842, a calculate zone metrics module 844, and an apply metrics module 846.

5 FIGURE 45 is a simplified block diagram of the information processing module of FIGURE 16, for determining the geometric association of edge and zone data in a detected object. The sequence includes an initialize module 850, an application for each qualified edge region 852, an application regarding initialization for a particular region 854, and a traverse region bounding rectangle module 856. The sequence then
10 continues to FIGURE 46.

 FIGURE 46 is a continuation of FIGURE 45 of the simplified block diagram of the information processing module of FIGURE 16, and includes testing region edges to determine zone intersections in detected objects. The sequence includes a test edge region/zone intersection modules 862,864 and a test region/motion/zone intersection
15 module 866.

 FIGURE 47 is a continuation of FIGURE 46 of the simplified block diagram of the information processing module of FIGURE 16, and includes evaluating region scores of zones to determine zone intersections in detected objects. The sequence includes evaluate region scores modules 872,874, set derived flags update counter/histories module 876, and an update top detection scores & safety zone latch
20 module 878.

 In an embodiment, an automatic door control and safety system is provided that controls door behavior in accordance with logic that interprets a nominally optically sensed object situation and environment proximate to the door. The system uses a
25 camera sensor sub-system fitted with an appropriate lens in order to generate an image of the desired sensing area. Digital images produced by the camera sub-system are processed using image processing in a processing sub-system in order to develop data used to drive specific decision logic to effect desired door control. Thus, door control

is effected by computer interpretation of image content.

In an embodiment, from a processing point of view, the system incorporates several processing stages: 1) image formation; 2) image conditioning; 3) image processing; 4) image content processing; 5) derived data processing; 6) data interpretation processing; and 7) control logic processing.

The door control and safety system is supported by hardware elements to include the camera sub-system, and a general purpose processor sub-system that can be augmented by a digital signal processing device. The camera sub-system can include a lens system, a charge-coupled device imaging device, amplifiers, and an analog-to-digital conversion element. These element can be commonly found together in home computer applications, for example, which interface a digital camera to produce digital images on the computer screen for capture and storage for a variety of purposes.

The system uses a selection of image processing operators, implemented in an algorithm, and subsequent derived data processing and interpretation. The selected image processing operators and image content processing are derived through the optical phenomena exhibited by objects within the field of view of the camera. The image processing operates on the numbers contained in the array representative of scene determined though the lens and camera mounting geometry. This image processing creates internal arrays of numbers which are the results of the image processing, to be used by subsequent operations thus forming a sequence of image processing operations. In an embodiment of the system, the entire image field is processed. Furthermore, there are no prior assumptions about target objects used to develop any processing elements designed to match anticipated object characteristics for the purpose of selecting subsets of the entire image field.

At the beginning of the image processing sequence, the image processing accepts a new input image of the scene (which is a single time sample ("frame") of the on-going image digitization stream). Storage is provided in order to maintain a previous image frame for comparison to a newly captured image frame (a "background" image).

This stored image frame is captured in the same way as a new frame, and, in particular, is a single image frame, not an average of more than one frame.

In an embodiment, each new image frame is filtered to remove speckle noise using a median filter. The median filter removes isolated noise while not blurring the image as does averaging. Such isolation noise may be due to imaging sensor noise, downstream electronics noise or environmentally-produced scintillation. The image stored for comparison is filtered one with the median filter, as is the current image. The median filter in can be implemented as a 3 x 3 filter kernel that is passed over every pixel in the image array. The value at the center of the kernel is deposited in a new image array, and the value is that which is the median of the nine numbers in the filter kernel.

After image filtering, two new image arrays are generated (i.e., FIGURES 52 and 53). The first new image array (FIGURE 52) is determined as the pixel-by-pixel difference of the current image minus the background image ("positive contrast"). The second new image array (FIGURE 53) is determined as the pixel-by-pixel difference for the background image minus the current image ("negative contrast"). The images are maintained as arrays of 8-bit numbers, so that when difference values are greater than 255 or less than 0, values are clipped accordingly.

After differencing, the images still contain 8-bit values. (Images with multiple bit levels are commonly referred to as grey-scale images). After image differencing, a thresholding operator is applied to each of the resulting positive and negative contrast grey-scale images. The threshold values applied to the two images may be different. The values can be fixed or adaptive wherein changes are made based on downstream image interpretation results. The pixel-by-pixel thresholding operation produces two new images. For each image, when the grey level in the input image exceeds the associated threshold value, a "1" is placed in the output image array, otherwise a "0" is placed. The result of the thresholding operation is thus two "binary" images.

Turning to FIGURES 54 and 55, selected binary image processing techniques

of mathematical morphology are applied to the binary images to facilitate downstream image interpretation. In an embodiment, operators are selected to remove isolated binary regions that could not be from significant objects, while improving the “connectedness” of larger regions that may be significant. Referred to as shape filtering, each of the two
5 binary images are filtered similarly to the median filter mechanism (a 3x3 spatial kernel), except that the filter kernel operation is a maximum operator followed by a minimum operation, not the median operation. Such a filter is referred to as a binary closing or “close.” A “close” is a “dilation” followed by an “erosion.” The “dilation” is the maximum operation on the kernel, and the “erosion” is the minimum operation.

10 Turning to FIGURE 56, the two closed binary images (FIGURES 54 and 55) are logically OR-ed pixel-by-pixel to produce a resultant binary image representative of both positive and negative contrast differences with respect to the input images.

Turning to FIGURE 57, a connected components algorithm is applied to the resultant binary OR image (FIGURE 56). This algorithm identifies all the connected
15 binary regions in the image. A connected region is one wherein every member pixel is a neighbor of at least one other member pixel. The connected components algorithm labels each region and builds a database containing derived features of each region. In an embodiment, the features can include region area, bounding rectangle, circularity, ellipse major and minor axis lengths, and perimeter. The region feature data is processed
20 to select regions of interest. The regions are a direct result of the presence of the object in the field of view. No operator selection of sub-image regions of the total image field is involved in selecting the object-related regions - the regions are determined by the object.

25 With a database representative of image content, the features of each region are considered by interpretation logic to develop control logic decisions. In an embodiment, the interpretation logic is implemented as a set of “if-then-else” constructs, and can utilize arithmetic combination of the basic region features in order to determine image content interpretation. For instance, the resulting region area can be used to infer

the presence of an object of interest, and the region centroid and bounding rectangle determine the location of that object. (The bounding rectangle is the smallest rectangle that includes all pixels belonging to the region.)

5 In an embodiment, the operator can define rectangular regions of the image field of view to determine areas for specific control actions. The bounding rectangle coordinates of the computer-derived object regions of interest are compared to the coordinates of the operator-determined decision regions in order to determine subsequent control logic results. If an object is declared to be in the safety zone, for example, the control logic indicates that the door should remain open until the safety zone is clear.
10 Similarly, if an object is determined to be in the activation zone (the binary region bounding rectangle representative of the image object intersects the activation zone decision rectangle), then the signal is sent to open the door. In an embodiment, the image regions selected by the operator for control logic purposes are not used in any way to initialize or otherwise influence the image processing of the entire image in order to
15 determine image content.

While the specific embodiments have been illustrated and described, numerous modifications come to mind without significantly departing from the spirit of the invention, and the scope of protection is only limited by the scope of the accompanying Claims.

CLAIMS

1. A detector comprising:
 - a sensor for collecting electromagnetic energy from a field of view for the sensor, the sensor generating a signal indicative of objects in the field of view;
 - 5 an image analyzer electronically coupled to the sensor for receiving the sensor signal and forming an image of pixels therefrom;
 - an edge detector adapted to detect an edge of an object depicted within the pixel image, and determining the position of the edge within the pixel image;
 - a data storage device for storing edge location data of a first image; and
 - 10 a comparator for comparing edge detection data from a second image to edge detection data from the first image in order to determine if the object associated with the edge has moved since the acquisition of the first image.
2. A shadow and light beam detection process comprising the steps of:
 - capturing a grey scale image;
 - 15 generating a binary image to define a binary map of the grey scale image; and
 - comparing the binary map to a copy of the grey scale image to determine grey scale values corresponding to selected portions of the binary map.
3. A process for determining whether a discrete area appearing in image information for a field of view represents a shadow or a light beam anomaly comprising:
 - 20 predetermining a characteristic of the anomaly;
 - predetermining a calculation that will quantify the characteristic;
 - applying the calculation to the image information and generating a quantity of the characteristic; and
 - classifying the area based upon the quantity calculated.
- 25 4. A process for determining an edge comprising:
 - predetermining a threshold value to apply to a grey scale image value in a first and second channel;
 - comparing the image value to the threshold value in each of the first and

second channel;

outputting a first binary value in each of the first and second channel;

defining a first dilation pixel having the first binary value;

defining a plurality of dilation pixels adjacent the first dilation pixel, each of

5 the plurality of dilation pixels having a second binary value;

comparing the first binary value of the first dilation pixel and the second binary value of each of the plurality of dilation pixels;

outputting a dilated binary value in each of the first and second channel; and

oring the dilated binary value in the first channel and the dilated binary value

10 in the second channel to generate an ored dilated binary value.

5. A process for determining an edge comprising:

storing a first grey scale image in a first buffer;

reading the first image;

transferring the first image to a second buffer;

15 repeating the steps of storing, reading and transferring for a second grey scale image;

subtracting the first image from the second image to generate a first positive image;

20 subtracting the second image from the first image to generate a second positive image;

comparing the first and second positive image to generate a positive difference image;

predetermining a threshold value to apply to the positive difference image in a first and second channel;

25 comparing the positive difference image to the threshold value in each of the first and second channel; and

outputting a first binary value in each of the first and second channel.

6. A motion detection process comprising the steps of:
capturing a first image;
determining edges of objects extant in the first image;
capturing a second image;
5 determining edges of objects extant in the second image;
subtracting the first image from the second image to generate a difference
image; and
comparing at least one of the edge determinations to the difference image to
determine movement of an object in the field of view represented by the at least one
10 edge.
7. An image process for determining camera problems comprising the steps of:
capturing an image; and
creating a histogram to evaluate the image against pre-selected criteria.
8. An image process for determining camera problems comprising the steps of:
15 capturing a first image;
determining edges of the first image;
capturing a second image;
determining edges of the second image;
subtracting the second image from the first image to generate a difference
20 image; and
thresholding the difference image.
9. An image process comprising the steps of:
capturing an image;
analyzing the image to define objects in the image;
25 labeling objects in the image; and
translating the objects to real world coordinates.
10. A process for determining an edge of an object in a field of view of a camera
recording pixel data comprising:

capturing a reference frame of pixel data;
capturing an image frame of pixel data;
subtracting the reference frame from the image frame to generate a first gray
scale contrast frame;

5 subtracting the image frame from the reference frame to generate a second
gray scale contrast frame;

thresholding the first and second gray scale contrast frame to generate first
and second contrast threshold frames;

10 dilating the first and second contrast threshold frames to generate first and
second dilated frames;

oring the first and second dilated frames; and

adjusting the first and second dilated frames to generate a first and second
binary images.

11. A process for smoothing pixel data defined as an edge of an object determined
15 to exist in an image comprised of the pixel data, the process comprising the steps of:

defining a grey scale image from the pixel data in a first and second channel;

filtering the grey scale image utilizing a horizontal Sobel kernel to generate
a horizontal filtered output in the first and second channel;

20 filtering the grey scale image utilizing a vertical Sobel kernel to generate a
vertical filtered output in the first and second channel;

determining the absolute values of the horizontal and vertical filtered output
in the first and second channel;

summing the absolute values to generate a Sobel value in the first and second
channel; and

25 subtracting the Sobel value in the first channel from the Sobel value in the
second channel to generate an output value.

12. A system for analyzing an image comprising:

a sensor configured and adapted to sense one of either active or passive

energy or both from a field of view;

an imager configured to form an image from the energy sensed by the sensor;

a processor responsive to the imager, the processor being configured and adapted to label image content information from the image; and

5 a decision maker responsive to the processor, the decision maker being configured and adapted to make determinations about the presence of a/an (stationary) object in the field of view from the image content information.

13. The system of claim 12 wherein the decision maker having a decision metric, the decision metric being based upon the relationship of selected image information content to a first predetermined area or zone within the image.

14. The system of claim 13 wherein the decision maker having a decision metric, the decision metric being based upon the relationship of selected image information content to a second predetermined area or zone within the image.

15. The system of claim 13 or 14 wherein the selected image information content is determined by the decision maker to be indicative of the object.

16. The system of claim 15 wherein the relationship to the area or zone is limited to whether at least a portion of the object is within the first or second predetermined zones.

17. The system of claim 13 or 14 wherein the selected image information content is determined by the decision maker to be indicative of an edge of the object.

18. The system of claim 13 or 14 wherein the selected image information content is determined by the decision maker to be indicative of a shadow of the object.

19. The system of claim 13 or 14 wherein the selected image information content is determined by the decision maker to be indicative of a lightbeam.

20. The system of claim 13 or 14 wherein the selected image information content is determined by the decision maker to be indicative of motion of the object.

21. The system of claim 12 wherein the processor is configured and adapted to determine features of the object selected from the group consisting of area, perimeter,

centroid, bounding rectangle, magnitude, variance and shape.

22. The system of claim 21 wherein the shape is selected from the group consisting of elongation, spread, ellipse shape factor and orientation.

23. A method of image analysis by a computing device comprising the steps of:
5 providing to the device, a pixel image of at least a portion of a field of view of a sensor;

the device determining pixels in the image which likely correspond to at least one edge of at least one object within the field of view; and,

10 the device labeling at least one group of the pixels identified to define an individual entity representative of the at least one edge of the at least one object in the field of view.

24. The method of claim 23 including the step of the device mathematically operating on the at least one object or the at least one group of pixels to generate at least one feature of the at least one object or the at least one group of pixels.

15 25. The method of claim 24 including the step of the device mathematically operating on the at least one object or the at least one group of pixels to generate a mathematical or geometric feature of the at least one object or the at least one group of pixels.

20 26. The method of claim 24 wherein the generating at least one feature step includes determining one or more features of the at least one object selected from the group consisting of area, perimeter, moments of inertia, grey level mean, grey level variance, grey level histogram and location.

25 27. A method of image analysis by a computing device comprising the steps of: providing to the device, a pixel image of at least a portion of a field of view of a sensor;

the device quantifying multiple properties of all pixels in an area of interest;
the device labeling a first group of the pixels so as to satisfy a predetermined first criterion representative of an object in the field of view; and,

the device independently and simultaneously labeling a second group of the pixels so as to satisfy a predetermined second criterion representative of the object in the field of view.

28. The method of claim 27 including the step of the device mathematically operating on the object or the first and second group of pixels to generate at least one feature of the object or the first and second groups of pixels, respectively.

29. The method of claim 28 including the step of the device mathematically operating on the object or the first and second group of pixels to generate a mathematical or geometric feature of the object or the first and second groups of pixels, respectively.

30. The method of claim 28 wherein the generating at least one feature step includes determining one or more features of the object or the first and second groups of pixels selected from the group consisting of area, perimeter, moments of inertia, grey level mean, grey level variance, grey level histogram and location.

31. The method of claim 27 wherein the device performs the steps of:
mathematically operating on the object or the first and second groups of pixels to generate at least two features of the object or the first and second groups of pixels, wherein at least one feature is based on edge data and at least one feature is based on region analysis;

comparing the features of the object to a predefined set of rules stored in or accessible to the device; and,

the device generating a decision with respect to controlling a second device, based upon the comparison.

32. A method of image analysis comprising the steps of:
generating a time sequence of images in a field of view;
allocating one of the successive images, other than an immediately preceding image, in the field of view as a reference image; and,
comparing selected successive images to the reference image of the same field of view.

33. The method of claim 32 including the step of refreshing the reference image from time to time based on a criteria.
34. The method of claim 33 including the step of refreshing the reference image based upon evaluation of image content derived from the image comparisons.
- 5 35. The method of claim 33 including the step of refreshing the reference frame based upon a predetermined passage of time.
36. The method of claim 32 including the step of updating a portion of the reference image using a current image.
37. The method of claim 36 including the step of performing an update using
10 predetermined criteria and evaluation of image content.
38. A method of image analysis comprising the steps of:
generating a time sequence of images in a field of view;
allocating one of the successive images in the field of view as a reference
image; and,
15 comparing selected successive images to the reference image of the same field
of view using a positive difference operator.
39. A method of image analysis comprising the steps of:
capturing an image;
deriving one or more images from the captured image using predetermined
20 image operators;
labeling individual groups of pixels independently in one or more of the
derived images corresponding to objects in the field of view; and
calculating features by evaluating the same groups of pixels for each of the
one or more derived images independently.
- 25 40. The method of claim 39 including the step of considering the features
simultaneously.
41. The method of claim 39 including the step of basing one of the features on
edge data and another of the features on region data.

42. A camera system for controlling a device other than a camera comprising:
a camera having a lens, the lens having at least a first and second radial distortion coefficient, the first coefficient having a value of at least about 1.0 and the second coefficient having an absolute value of at least about 1.0;
- 5 a signal generator for generating a camera signal indicative of a field of view through the lens;
- an analyzer which receives the camera signal and analyzes the camera signal for detection of an object or motion, the analyzer generating a detection signal indicating the object or motion; and,
- 10 a device controller receiving the detection signal and controlling the device in response thereto.
43. The system of claim 42 wherein the analyzer having means for analyzing image content while compensating for the radial distortion.
44. The system of claim 43 wherein the analyzer determines the radial distortion.
- 15 45. The system of claim 42 wherein the analyzer having means for determining the size of objects in the field of view.
46. The system of claim 42 including code for representing radial distortion as a standard radial distortion polynomial system wherein the polynomial system having sixth-powered terms, the coefficients of which are non-zero.
- 20 47. A camera system for controlling a device other than a camera comprising:
a camera having a lens, the lens having a field of view of at least about 53 degrees;
- a signal generator for generating a camera signal indicative of the field of view through the lens;
- 25 an analyzer which receives the camera signal and analyzes the camera signal for detection of an object or motion, the analyzer generating a detection signal indicating the object or motion; and,
- a device controller receiving the detection signal and controlling the device

in response thereto.

48. The system of claim 47 wherein the lens having a field of view of at least 90 degrees.

49. The system of claim 47 wherein the analyzer having means for analyzing
5 image content while compensating for the radial distortion.

50. The system of claim 49 wherein the analyzer determines the radial distortion.

51. The system of claim 47 wherein the analyzer having means for determining the size of objects in the field of view.

52. The system of claim 47 including code for representing radial distortion as
10 a standard radial distortion polynomial system wherein the polynomial system having sixth-powered terms, the coefficients of which are non-zero.

53. A camera system for controlling a device other than a camera comprising:
a camera having a lens, the lens having an image diagonal and a focal length,
wherein the image diagonal is greater than the focal length;

15 a signal generator for generating a camera signal indicative of the field of view through the lens;

an analyzer which receives the camera signal and analyzes the camera signal for detection of an object or motion, the analyzer generating a detection signal indicating the object or motion; and,

20 a device controller receiving the detection signal and controlling the device in response thereto.

54. The system of claim 53 wherein the image diagonal is at least twice the focal length.

55. The system of claim 53 wherein the analyzer having means for analyzing
25 image content while compensating for the radial distortion.

56. The system of claim 55 wherein the analyzer determines the radial distortion.

57. The system of claim 53 wherein the analyzer having means for determining the size of objects in the field of view.

58. The system of claim 53 including code for representing radial distortion as a standard radial distortion polynomial system wherein the polynomial system having sixth-powered terms, the coefficients of which are non-zero.

59. A camera comprising:

5

a) a lens;

b) a detector located so as to have light focused upon the detector from the lens, the detector generating an image signal;

c) a controller receiving the image signal; and

10

d) a gain control adjusting gain of the image signal from the detector based upon a histogram of grey-scale values of the image.

60. The camera of claim 59 wherein the detector is selected from the group consisting of a CCD-based detector and a CMOS-based detector.

61. A method of image processing comprising the steps of:

15

capturing a pixel image of a field of view from a single point of view;

electronically analyzing the image to determine pixel groups in the image corresponding to objects in the field of view; and

determining the spatial location of objects in the field of view corresponding to the pixel groups.

62. A method of image processing comprising the steps of:

20

providing an array of sensors, the array having a first field of view of a volumetric space;

defining a two-dimensional pixel image from signals sent from the array; (the pixel image providing a two-dimensional representation of the volumetric space)

predetermining a desired coordinate system in the volumetric space; and,

25

utilizing information regarding a pose of the array and the coordinate system to electronically determine the relation between pixel coordinates in the image to spatial coordinates in the three-dimensional space.

63. The method of claim 62 including the steps of:

providing a lens with a radial distortion to focus energy from a second field of view to the array; and,

adjusting the relation of pixel values to spatial location.

64. The method of claim 62 including the step of electronically determining the effective resolution of the array of sensors within the field of view relative to the coordinate system unit of measure.

65. The method of claim 64 including the step of controlling a detection characteristic over the entire field of view by utilizing the determined resolution values.

66. The method of claim 64 including the step of adjusting detection threshold limits by utilizing the determined resolution values.

67. The methods of claims 64-66 including the step of predetermining a pixel area corresponding to a representative size of objects of interest for detection.

68. The method of claim 62 including the step of providing an array of sensors arranged in a substantially planar relationship.

69. The method of claim 62 including the step of utilizing information regarding location and orientation of the array and the coordinate system to electronically determine the relation between pixel coordinates in the image to spatial coordinates in the three-dimensional space.

70. The method of claim 62 including the step of utilizing information regarding intrinsic parameters of the imaging system and the coordinate system to electronically determine the relation between pixel coordinates in the image to spatial coordinates in the three-dimensional space.

71. The method of claim 62 including the step of predetermining a homogeneous coordinate system in the volumetric space.

72. The method of claim 71 including the step of utilizing information regarding a pose of the array and the homogeneous coordinate system to electronically determine the relation between pixel coordinates in the image to spatial coordinates in the three-dimensional space.

73. The method of claim 71 including the step of utilizing a projective perspective transformation to electronically determine the relation between pixel coordinates in the image to spatial coordinates in the three-dimensional space.

74. The method of claim 73 including the step of adding a radial distortion correction to the projective perspective transformation to electronically determine the relation between pixel coordinates in the image to spatial coordinates in the three-dimensional space.

75. The method of claim 62 including the step of providing a CCD, the CCD having a first field of view of a volumetric space.

76. A method of image analysis comprising the steps of:
providing a pixel image of at least a portion of a field of view of a sensor;
determining pixels in the image which likely correspond to objects in the field of view;
discriminating between pixels so determined to define spatially discrete groups of pixels; and,
labeling each group of pixels.

77. A timer for monitoring a processor comprising:
a first circuit for resetting the processor when improper function is detected;
and
a second circuit for maintaining a safe output condition when the processor is not controlling the output condition.

78. The timer of claim 77 including a temperature monitor.

79. The timer of claim 78 wherein the temperature monitor generates an output signal when the processor temperature exceeds predetermined operating limits.

80. The timer of claim 79 wherein the temperature monitor is connected to the first circuit for resetting the processor when the processor temperature exceeds the predetermined operating limits.

81. A monitoring device comprising:

a sensor for sensing energy from an environment and providing an output indicative of same;

an image formed from the output of the sensor;

a first analyzer for analyzing a first portion of the image; and

5 a second analyzer for analyzing a second portion of the image distinct from the first portion of the image and each generating a signal indicative of the respective portion of the image analyzed by the respective analyzer.

82. A monitoring device comprising:

10 a sensor for sensing energy from an environment and providing an output indicative of same;

an image formed from the output of the sensor;

n analyzers for analyzing n portions of the image, each portion being distinct;

and

15 each analyzer generating a signal indicative of the respective portion of the image analyzed by the respective analyzer.

83. A camera having a lens and optionally a transparent lens cover and having a field of view through the lens and optionally through the lens cover comprising:

a storage device for storing logic and data and codifying criteria representative of conditions having an effect on the field of view;

20 an imager for obtaining and storing an image representative of the field of view;

a processor for processing data derived from the image for use in comparison to the criteria; and

a generator for generating control signals representative of the image.

25 84. The camera of claim 83 including frame analysis algorithms for evaluating image quality of the camera.

85. The camera of claim 83 including frame analysis algorithms for evaluating changes in position or orientation of the lens relative to camera environment.

86. The camera of claim 83 including frame analysis algorithms for evaluating image failure of the camera.

87. The camera of claim 83 wherein the conditions that impact the view through the lens and optionally a lens cover are selected from the group consisting of substances contacting the lens or lens cover, level of lighting in the view, unusually bright or dark spots in the view, overall flux of electromagnetic energy passing through the lens, and obstruction of the lens by other objects.

88. The camera of claim 83 wherein the processor has a generator for generating histograms from the image and the storage device has data relative to histogram criteria.

89. The camera of claim 88 wherein the data relative to histogram criteria is derived by a comparison between a predetermined histogram and a histogram determined from the image representative of the field of view.

90. The camera of claim 87 wherein the processor has a generator for generating histograms from the image and the storage device has data relative to histogram criteria.

91. The camera of claim 90 wherein the data relative to histogram criteria is derived by a comparison between a predetermined histogram and a histogram determined from the image representative of the field of view.

92. The camera of claims 87-91 wherein the substances contacting the lens or lens cover are selected from the group consisting of dirt, dust, oil, water, organic film, inorganic film, soot and metal fines.

93. The camera of claim 83 wherein the conditions are selected from the group consisting of normal and abnormal.

94. A system for defogging a window comprising:
an electrically conductive terminal; and
a PTC material adjoining the conductive terminal and operably coupled to the window.

95. The system of claim 94 further comprising another electrically conductive terminal adjoining the PTC material.

96. The system of claim 95 further comprising a voltage potential coupled to the electrically conductive terminals.
97. The system of claim 94 wherein the electrically conductive terminal has an aperture extending therethrough.
- 5 98. The system of claim 94 wherein the PTC material has an aperture extending therethrough.
99. The system of claim 94 wherein the electrically conductive terminal and the PTC material have apertures extending therethrough and in coaxial alignment with each other.
- 10 100. An apparatus comprising:
a housing having an opening;
a window mounted over the opening;
a PTC material operably coupled to the window.
- 15 101. The apparatus of claim 100 further comprising an electrically conductive terminal connected to the PTC material.
102. The apparatus of claim 101 further comprising another electrically conductive terminal adjoining the PTC material.
103. The apparatus of claim 101 further comprising a voltage potential coupled to the electrically conductive terminal.
- 20 104. The apparatus of claim 101 wherein the electrically conductive terminal has an aperture extending therethrough.
105. The apparatus of claim 100 wherein the PTC material has an aperture extending therethrough.
- 25 106. The apparatus of claim 101 wherein the electrically conductive terminal and the PTC material have apertures extending therethrough and in coaxial alignment with each other and the opening in the housing.
107. The apparatus of claim 100 further comprising a camera mounted within the housing.

108. The apparatus of claim 107 wherein the camera has a field-of-view extending through the window.
109. The apparatus of claim 108 wherein the field-of-view includes at least part of a pathway to a door.
- 5 110. The apparatus of claim 109 further comprising a door opener operably coupled to the door and responsive to objects detected within the field-of-view.
111. An input device for communicating with a controller for an automatic door comprising:
- 10 a first sequencing key which is configured to prompt a user to enter a first set of data into the device when actuated a first time and prompt the user to enter a second set of data when actuated a second time;
- at least one input key; and
- at least one input.
112. The device of claim 111 including a display for displaying user input.
- 15 113. The device of claim 111 including a display for displaying pre-stored user options for selection in response to prompts from the first sequencing key.
114. The device of claim 113 wherein the display displaying only a portion of the pre-stored data to be displayed for each actuation of the at least one input key.
115. The device of claims 111-114 including an input selector which accepts and
- 20 stores user input when actuated.
116. The device of claims 112-115 including a second sequencing key which is configured to prompt a user to enter a third set of data into the device using a first display key when actuated a first time and prompt the user to enter a fourth set of data into the device using the first display key when actuated a second time.
- 25 117. The device of claims 112-115 including a second sequencing key which is configured to prompt a user to enter a third set of data into the device using the first display key when actuated a first time and prompt the user to enter a fourth set of data into the device using a second display key when actuated a second time.

118. The device of claims 112-117 including a third sequencing key which is configured to prompt a user to enter a fifth set of data into the device using a first display key when actuated a first time and prompt the user to enter a sixth set of data into the device using the first display key when actuated a second time.

5 119. The device of claims 112-117 including a third sequencing key which is configured to prompt a user to enter a fifth set of data into the device using the first display key when actuated a first time and prompt the user to enter a sixth set of data into the device using a second display key when actuated a second time.

10 120. The device of claim 116 wherein the first and second sequencing keys are configured with a hierarchy, the hierarchy allowing the first sequencing key to override operation of the second sequencing key.

121. The device of claim 118 wherein the first and third sequencing keys are configured with a hierarchy, the hierarchy allowing the first sequencing key to override operation of the third sequencing key.

15 122. The device of claim 118 wherein the first, second and third sequencing keys are configured with a hierarchy, the hierarchy allowing the first sequencing key to override operation of the second and third sequencing keys.

123. The device of claim 111 wherein the at least one input is a numerical input.

124. The device of claim 111 wherein the at least one input is an alpha input.

20 125. A sensor system for controlling an automatic door which has a door panel selectively blocking an opening comprising:

a sensor having a field of view of areas of interest about the opening and a signal output relative to objects sensed in the field of view of the sensor;

a signal processor responsive to sensor output signals;

25 a door drive responsive to the signal processor; and

an input device having a signal output, the signal processor responsive to output signals from the input device,

wherein the input device having a pose input for permitting a user to input

data indicative of the pose of the sensor as mounted to obtain the field of view.

126. The sensor system of claim 125 wherein the pose input includes installed height of the sensor.

127. The sensor system of claim 125 wherein the pose input includes a nominal
5 height of the sensor.

128. The sensor system of claim 125 wherein the pose input includes a model number of the door associated with the field of view.

129. The sensor system of claim 125 wherein the pose input includes a width of the opening.

10 130. The sensor system of claim 125 wherein the pose input includes a length of the opening.

131. The sensor system of claim 125 wherein the pose input includes a first position of an activation zone.

132. The sensor system of claim 125 wherein the pose input includes a second
15 position of an activation zone.

133. An input device for communicating with a door drive responsive to a sensor which has a field of view of areas of interest about the door, the device comprising:

a first tier of selectable input selectors; and

a second tier of selectable input selectors;

20 wherein the first and second tiers being configured such that user input into the first tier of selectable input selectors controls the availability of selections for input on the second tier of selectable input selectors.

134. A sensor system for controlling an automatic door which has a door panel selectively blocking an opening, the sensor system comprising:

25 a sensor configured to sense objects in a field of view; and

an input device having an output for communication with a controller for the automatic door, the input device having a user input relative to the sensor height.

135. The system of claim 134 wherein the input device having a user input relative

to the door width.

136. The system of claim 134 wherein the input device having a data set stored relative to door model.

137. An image analyzer for data processing comprising:

- 5 a FPGA for pixel processing;
a CPU operably connected to the FPGA in parallel; and
a video buffer operably connected to the CPU.

138. A process for performing high-rate data processing comprising the steps of:
providing a CPU for processing a current frame;

- 10 providing a FPGA for simultaneously processing a next frame to generate a
FPGA output;

storing the FPGA output in a storage bank;
retrieving the FPGA output from the storage bank; and
sending the FPGA output to the CPU for processing.

15 139. A process for initializing a video system comprising the steps of:

initializing a FPGA;
selecting a first ping-pong data set;
instructing the FPGA to capture a video frame;
initializing at least one reference image;

- 20 instructing the FPGA to process the at least one reference image to generate
FPGA outputs; and

transferring the FPGA outputs from the FPGA to the first ping-pong data set.

140. A system for controlling an effector comprising:

- 25 a sensor configured and adapted to sense one of either active or passive
energy or both from a field of view;

an imager configured to form an image from the energy sensed by the sensor;

an image analyzer responsive to the imager, the image analyzer being
configured and adapted to define image content information from the image;

a decision maker responsive to the image analyzer, the decision maker being adapted and configured to make determinations about the presence of a/an (stationary) object in the field of view from the image content information; and,

5 a first controller for controlling the effector, the first controller being responsive to the decision maker.

141. The system of claim 140 wherein the decision maker having a first decision metric, the first decision metric being based upon the relationship of selected image information content to a first predetermined area or zone within the image.

10 142. The system of claim 141 wherein the decision maker having a first decision metric, the first decision metric being based upon the relationship of selected image information content to a second predetermined area or zone within the image.

143. The system of claim 141 or 142 wherein the selected image information content is determined by the decision maker to be indicative of the object.

15 144. The system of claim 143 wherein the relationship to the area or zone is limited to whether at least a portion of the object is within the first or second predetermined zones.

145. A system for controlling an automatic door which selectively blocks an opening, the system comprising:

20 a sensor configured and adapted to sense one of either active or passive energy or both from a field of view;

an imager configured to form an image from the energy sensed by the sensor;

an image analyzer responsive to the imager, the image analyzer being configured and adapted to define image content information from the image;

25 a decision maker responsive to the image analyzer, the decision maker being adapted and configured to make determinations about the objects in the field of view based upon the image content information; and,

a door controller for controlling at least the opening and closing of the door, the door controller being responsive to the decision maker.

146. The system of claim 145 wherein the decision maker having a first decision metric, the first decision metric being based upon the relationship of selected image information content to a first predetermined area or zone within the image.

147. The system of claim 146 wherein the decision maker having a first decision metric, the first decision metric being based upon the relationship of selected image information content to a second predetermined area or zone within the image.

148. The system of claim 146 or 147 wherein the selected image information content is indicative of the presence of a stationary object.

149. The system of claim 148 wherein the relationship to the area or zone includes whether at least a portion of the object is within the first or second predetermined zones.

150. The system of claim 146 or 147 wherein the relationship to the area or zone includes whether at least a portion of an object is within the first or second predetermined zones.

151. The system of claim 145 including a geometry mapper which translates the dimensions and geometries of the field of view to coordinates of pixels comprising the images.

152. An object position locator consisting of a single camera for generating pixel images for analysis, comprising:

an image analyzer having an object detection algorithm which determines the existence of objects in a field of view of the camera;

a labeler for providing a discrete identity to an object in the pixel image; and

a position locator for determining coordinates of the object within the pixel

image.

153. A monitoring device comprising:

a sensor for sensing energy from an environment and providing an output indicative of same;

an image formed from the output of the sensor;

n analyzers for analyzing n portions of the image, each portion being distinct;

and

each analyzer generating a signal indicative of the respective portion of the image analyzed by the respective analyzer.

154. A surveillance system comprising:

5 multiple sensors, each sensor being deployed at an individual location of interest, each sensor having a field of view and generating a sensor signal indicative of objects within its field of view;

one or more signal analyzers for receiving sensor signals and determining from the signals the presence of objects of interest or motion in the respective fields of view of the multiple sensors, and for generating a display signal representative of the multiple fields of view and for generating detection signals indicative of object presence or motion in respective ones of the multiple fields of view;

at least one viewer for receiving display signals and generating and displaying human interpretable data representative of selected fields of view; and

15 a controller receiving at least the detection signals from the signal analyzers, the controller determining from the detection signals which field of view will be displayed on the at least one viewer.

155. A system for defogging a window comprising:

an electrically conductive terminal; and

20 a PTC material adjoining the conductive terminal and operably coupled to the window.

156. The system of claim 155 further comprising another electrically conductive terminal adjoining the PTC material.

157. The system of claim 156 further comprising a voltage potential coupled to the electrically conductive terminals.

158. The system of claim 155 wherein the electrically conductive terminal has an aperture extending therethrough.

159. The system of claim 155 wherein the PTC material has an aperture extending

therethrough.

160. The system of claim 155 wherein the electrically conductive terminal and the PTC material have apertures extending therethrough and in coaxial alignment with each other.

5 161. An apparatus comprising:
a housing having an opening;
a window mounted over the opening;
a PTC material operably coupled to the window.

10 162. The apparatus of claim 161 further comprising an electrically conductive terminal connected to the PTC material.

163. The apparatus of claim 162 further comprising another electrically conductive terminal adjoining the PTC material.

164. The apparatus of claim 162 further comprising a voltage potential coupled to the electrically conductive terminal.

15 165. The apparatus of claim 162 wherein the electrically conductive terminal has an aperture extending therethrough.

166. The apparatus of claim 161 wherein the PTC material has an aperture extending therethrough.

20 167. The apparatus of claim 162 wherein the electrically conductive terminal and the PTC material have apertures extending therethrough and in coaxial alignment with each other and the opening in the housing.

168. The apparatus of claim 161 further comprising a camera mounted within the housing.

25 169. The apparatus of claim 168 wherein the camera has a field-of-view extending through the window.

170. The apparatus of claim 169 wherein the field-of-view includes at least part of a pathway to a door.

171. The apparatus of claim 170 further comprising a door opener operably

coupled to the door and responsive to objects detected within the field-of-view.

172. A system for controlling a door comprising:

a camera for collecting image data;

a control unit receiving image data from the camera; and

5 a drive motor for controlling the opening and closing of the door, the drive motor receiving control signals from the control unit.

173. The system of claim 172 wherein the control unit has means for defining at least a portion of an image as a control zone.

174. The system of claim 173 including a first control zone wherein selected image data within the first control zone will cause a control signal to open the door.

175. The system of claim 173-174 including a second control zone wherein selected image data within the second control zone will generate a first control condition preventing the door from closing.

176. The system of claim 173 wherein the means for defining includes choosing coordinates from all pixel coordinates by direct access within the control zone.

177. The system of claim 173 wherein the means for defining includes choosing from multiple predefined zones.

178. The system of claim 173 wherein the means for defining includes putting real objects in a field of view so as to delineate boundary coordinates and the real objects become part of the image data, the control zone being defined from the real objects image data.

179. The system of claim 172-174 wherein the control unit analyzes the image data in the first control zone at a first time; the control unit analyzes the image data in the first control zone at a second time; and

25 the control unit compares the image data at the first time and the image data at the second time to determine whether an object is present in the first control zone.

180. The system of claim 179 wherein the object is analyzed to determine if any portion of the object is within the first control zone.

181. The system of claim 180 wherein the selected image data within the first control zone causes the control signal to open the door if any portion of the object is
5 within the first control zone.

182. The system of claim 181 wherein the control unit chooses a portion of the object to determine a bottom edge of the object.

183. The system of claim 182 wherein the control unit analyzes the bottom edge to determine if the bottom edge is within the first control zone.

10 184. The system of claim 183 wherein a fourth control zone is defined adjacent the first control zone, the fourth control zone possessing objects between the first control zone and the camera.

185. The system of claim 184 wherein the fourth control zone is positioned between the first control zone and the camera.

15 186. The system of claim 185 wherein the presence of the object in the fourth control zone will prevent the first control zone from sending the control signal to open the door.

187. The system of claim 186 wherein the presence of the object in the fourth control zone will cause the first control zone to send the control signal to open the door.

20 188. The system of claim 172-175 wherein
the control unit analyzes the image data in the second control zone at a first time;
the control unit analyzes the image data in the second control zone at a second time; and

25 the control unit compares the image data at the first time and the image data at the second time to determine whether an object is present in the first control zone.

189. The system of claim 172-175 further including a third control zone wherein selected image data within the third control zone will generate a second control condition

preventing the door from closing.

190. The system of claim 172-175 wherein the second control zone comprises a plurality of predetermined shapes.

191. The system of claim 189-190 wherein the third control zone comprises a plurality of predetermined shapes, the shapes of the third control zone being complementary to the shapes of the second control zone.

192. The system of claim 191 wherein
the control unit analyzes the image data in the third control zone at a first time;
the control unit analyzes the image data in the third control zone at a second time; and

the control unit compares the image data at the first time and the image data at the second time to determine whether an object is present in the third control zone.

193. The system of claim 172-174 wherein the first control zone includes means for comparing the image data to a plurality of user specified dimensions.

194. The system of claims 172-193 wherein the camera senses energy selected from the group consisting of: visible light waves, infrared lights waves, microwaves, radar and sound waves.

195. The system of claim 173-194 wherein a user can enter data to define at least one control zone parameter from the group consisting of area, location, shape, number of control zones and control criteria.

196. The system of claims 1-194 wherein the sensor is a camera.

197. A system for controlling a door comprising:
a sensor, the sensor having, for example, a beam for sensing coherent energy from objects near the door;
a control unit receiving electronic values from the sensor indicative of energy sensed by the camera;
a drive motor for controlling the opening and closing of the door, the drive

motor receiving control signals from the control unit; and

means for defining a portion of a beam pattern as a control zone.

198. The system of claim 197 wherein the control zone is a beam pattern

Overview

10

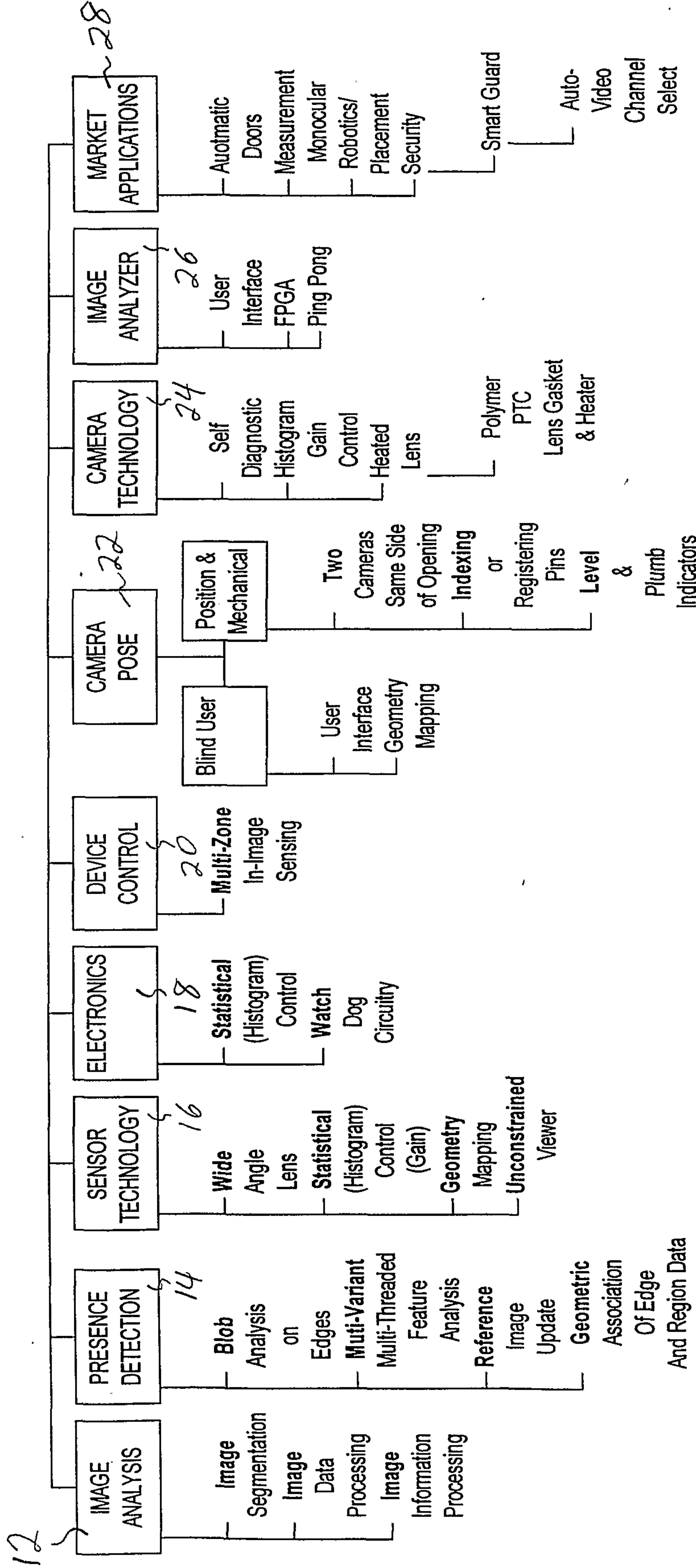


Figure 1

Hardware Block Diagram

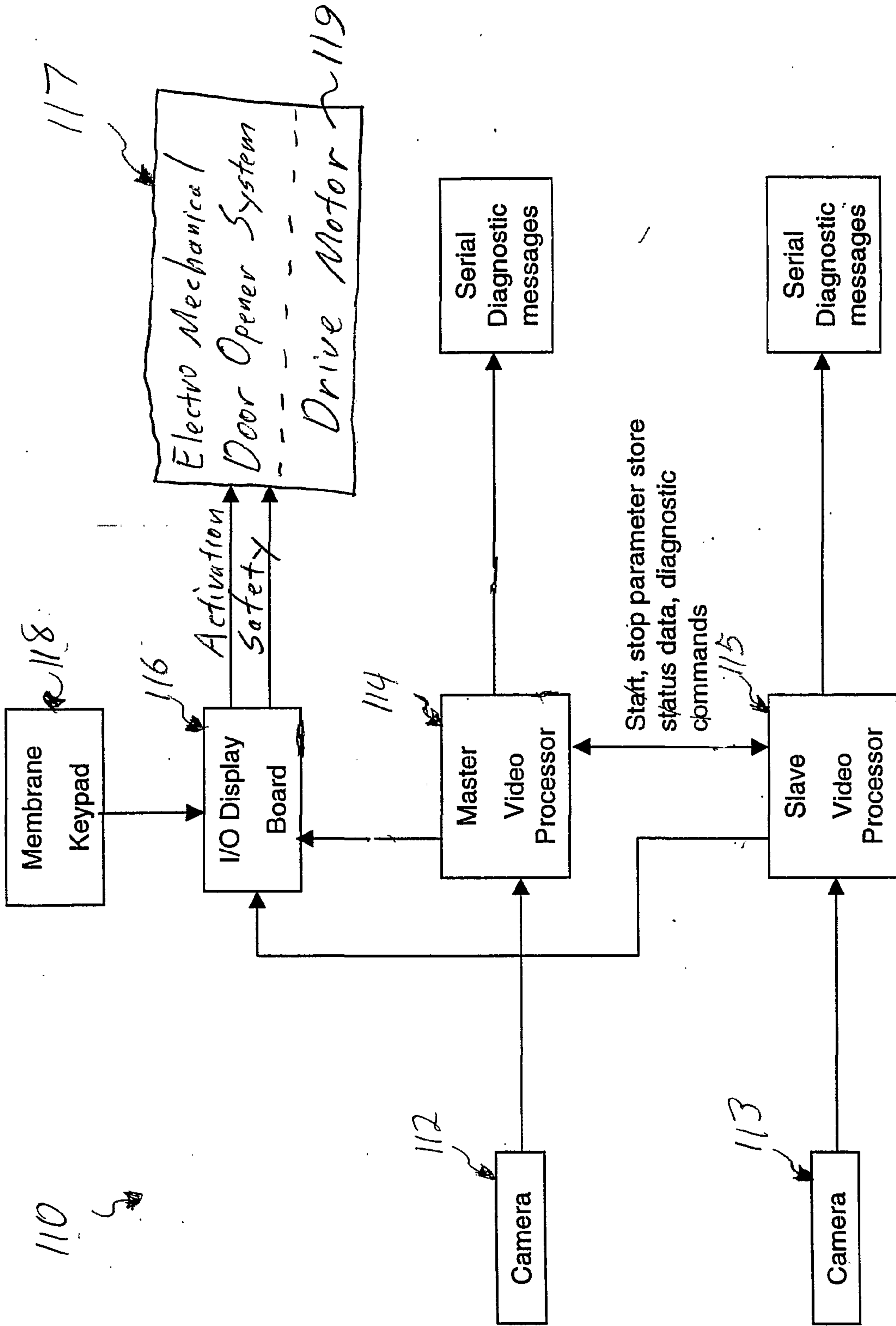


Fig. 2

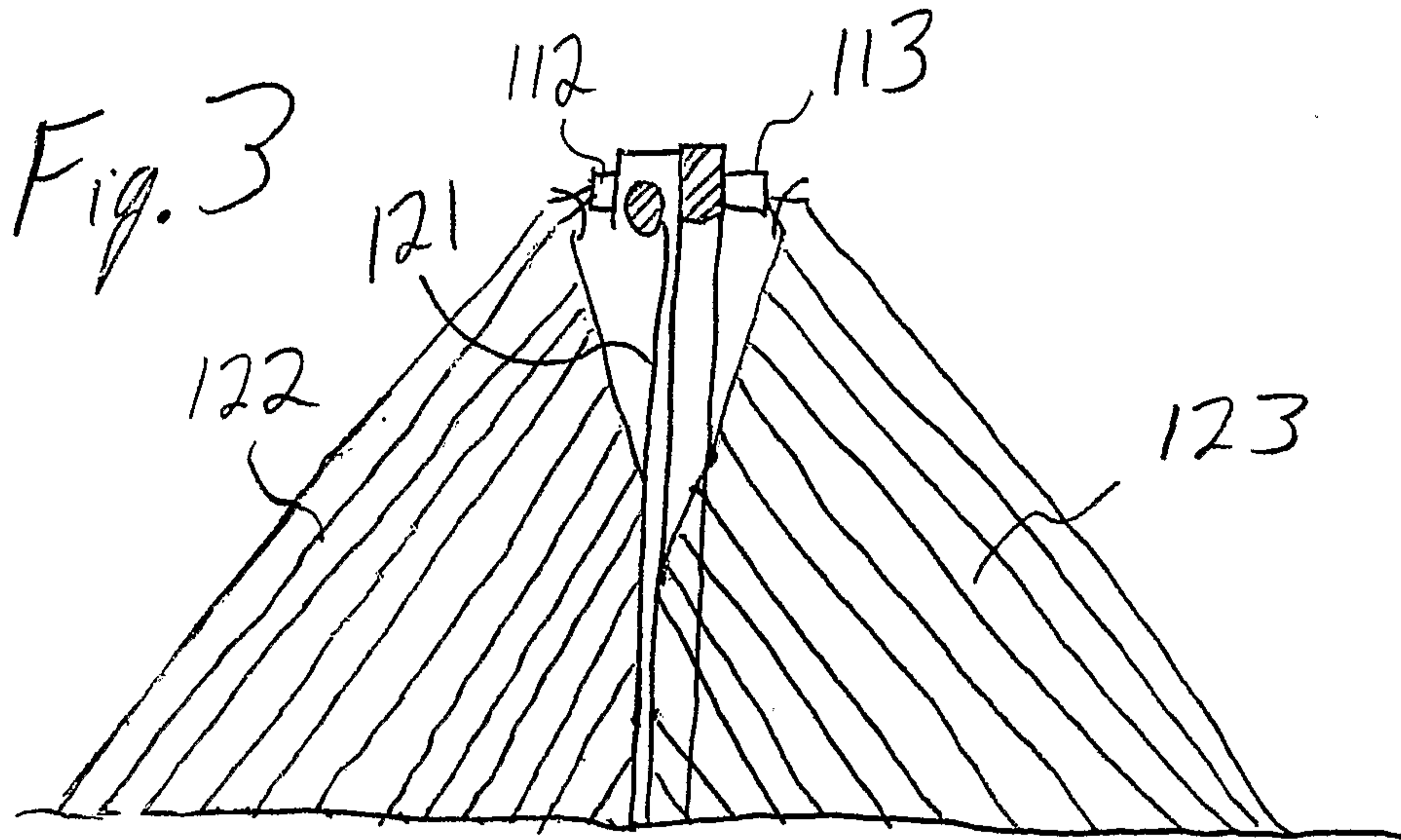
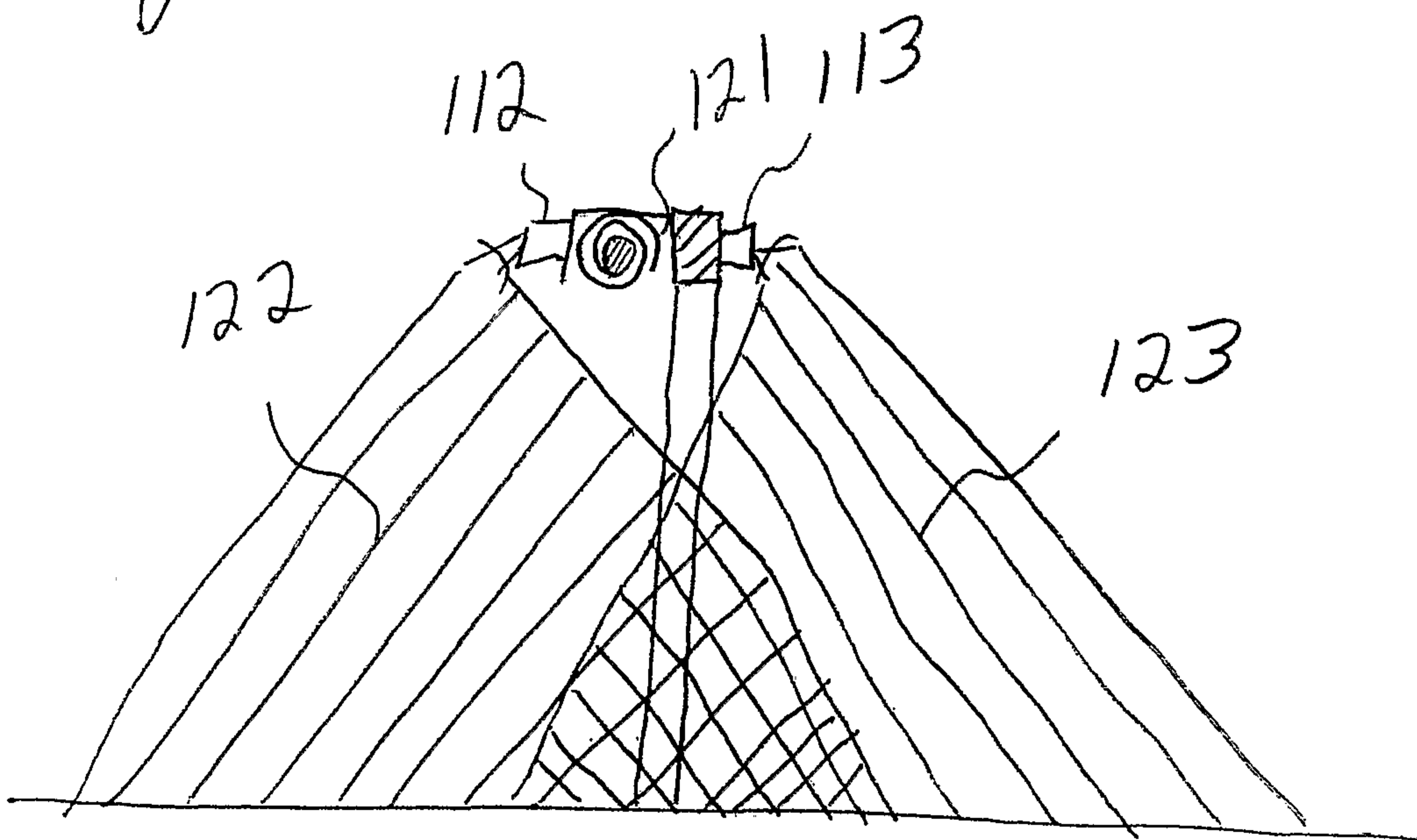


Fig. 4



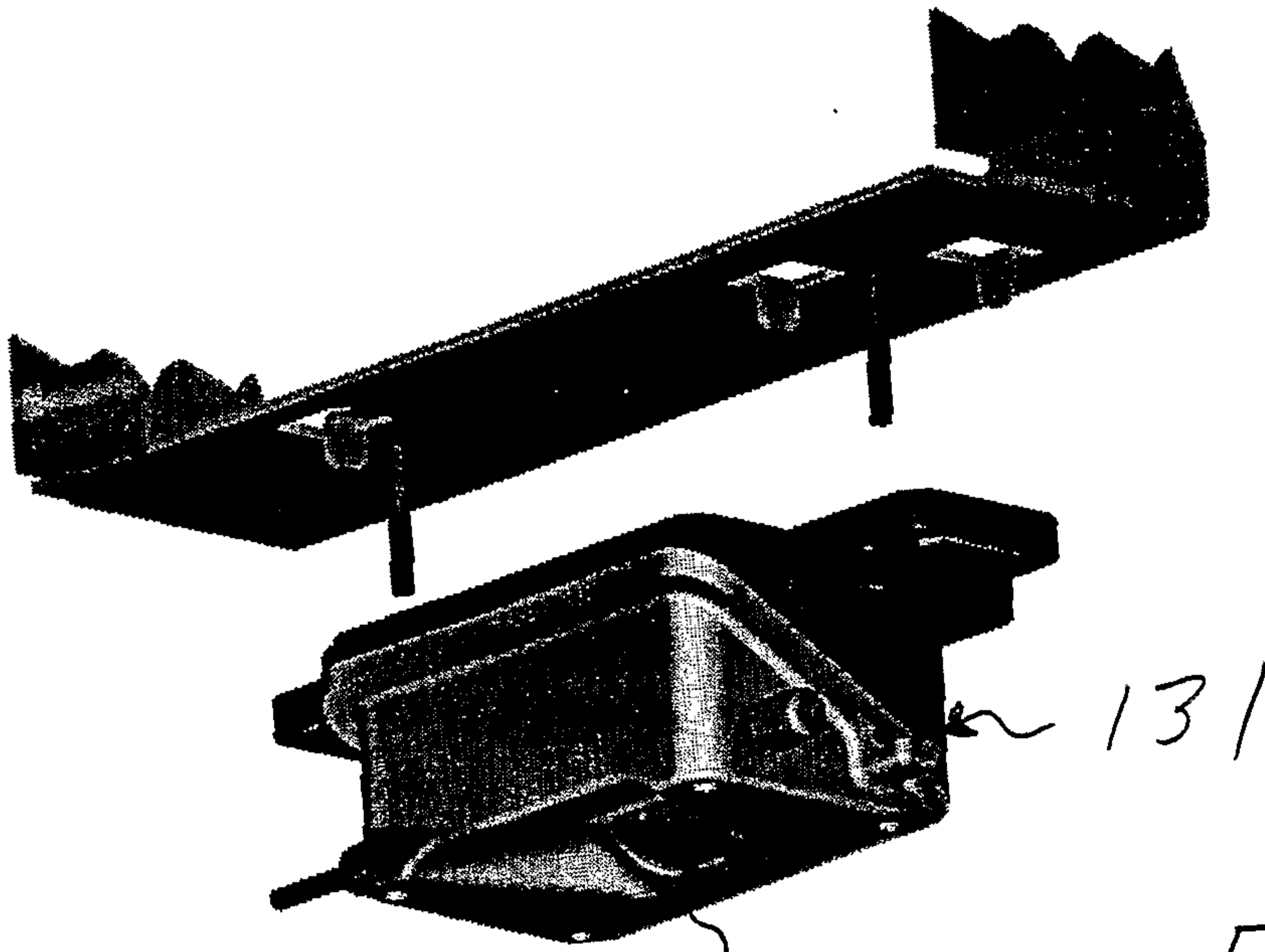


Figure 5

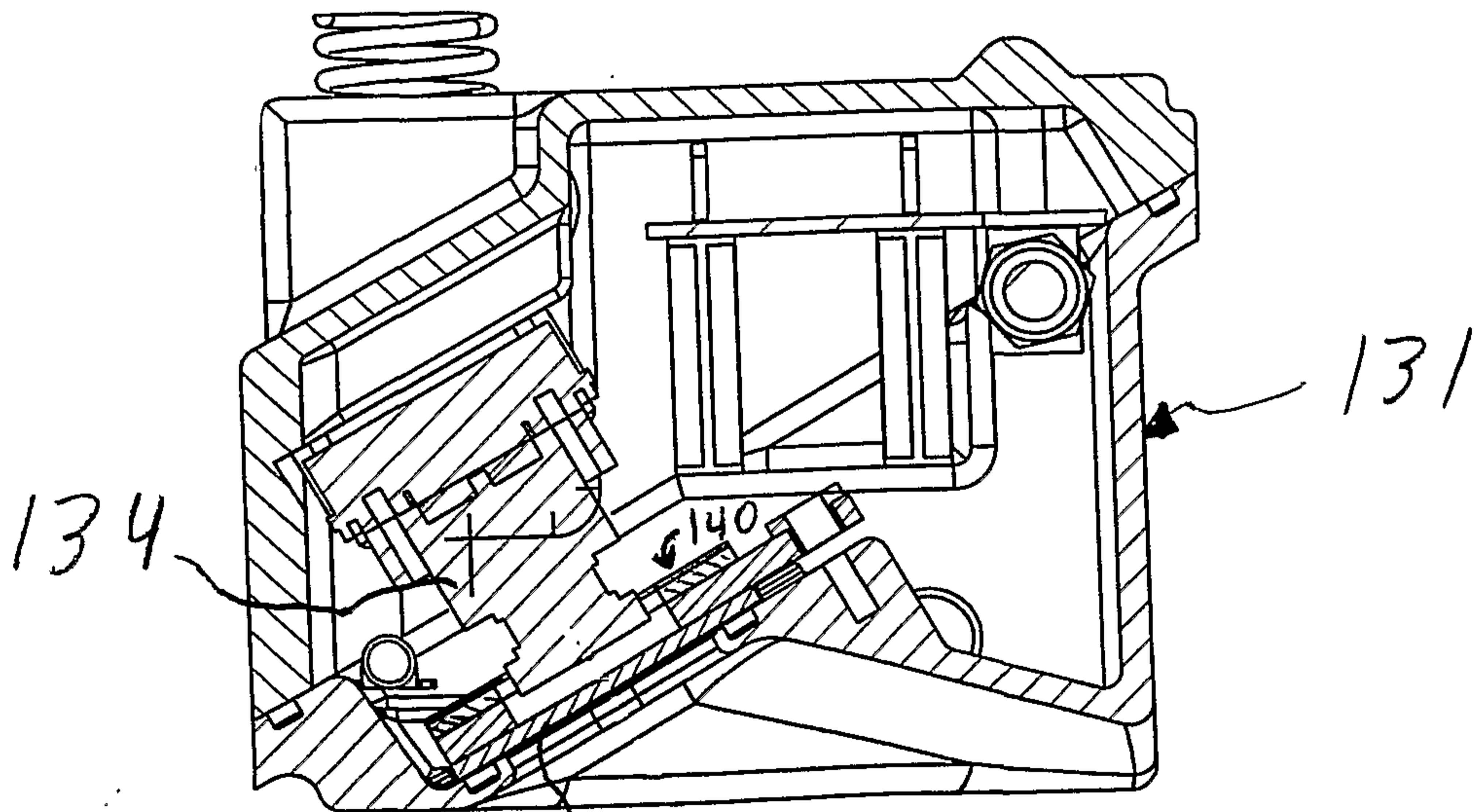


Figure 6

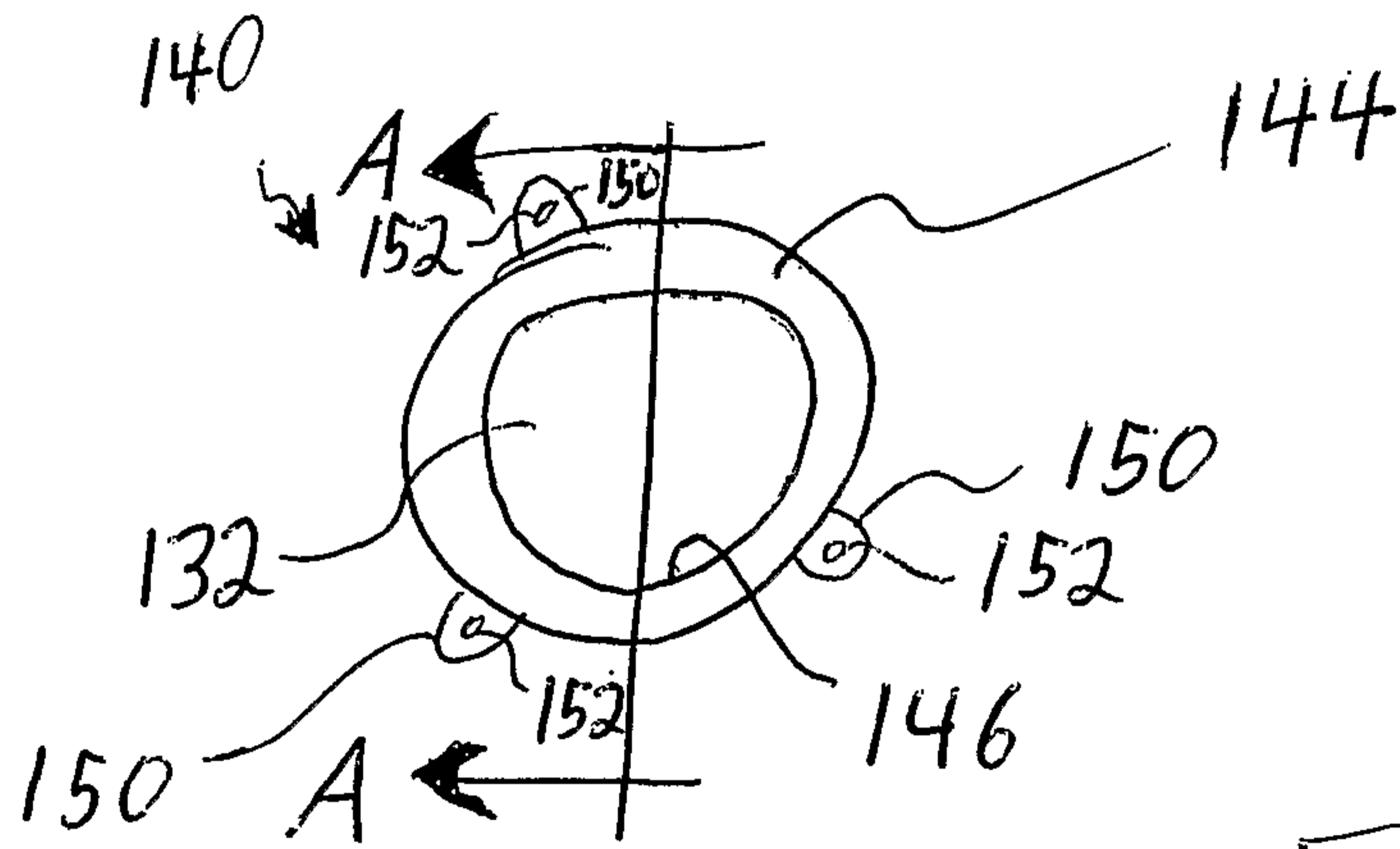


Figure 7

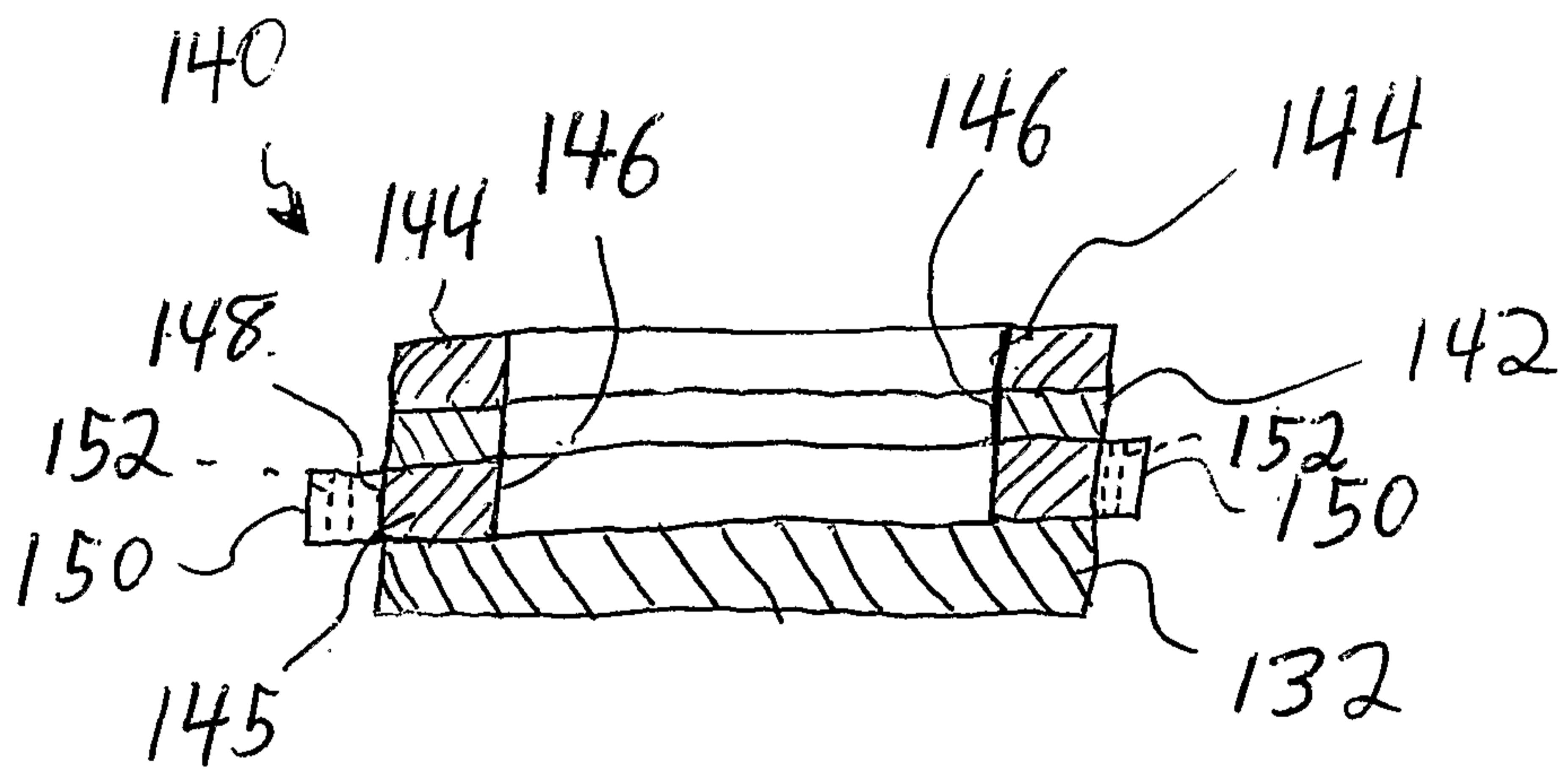


Figure 8

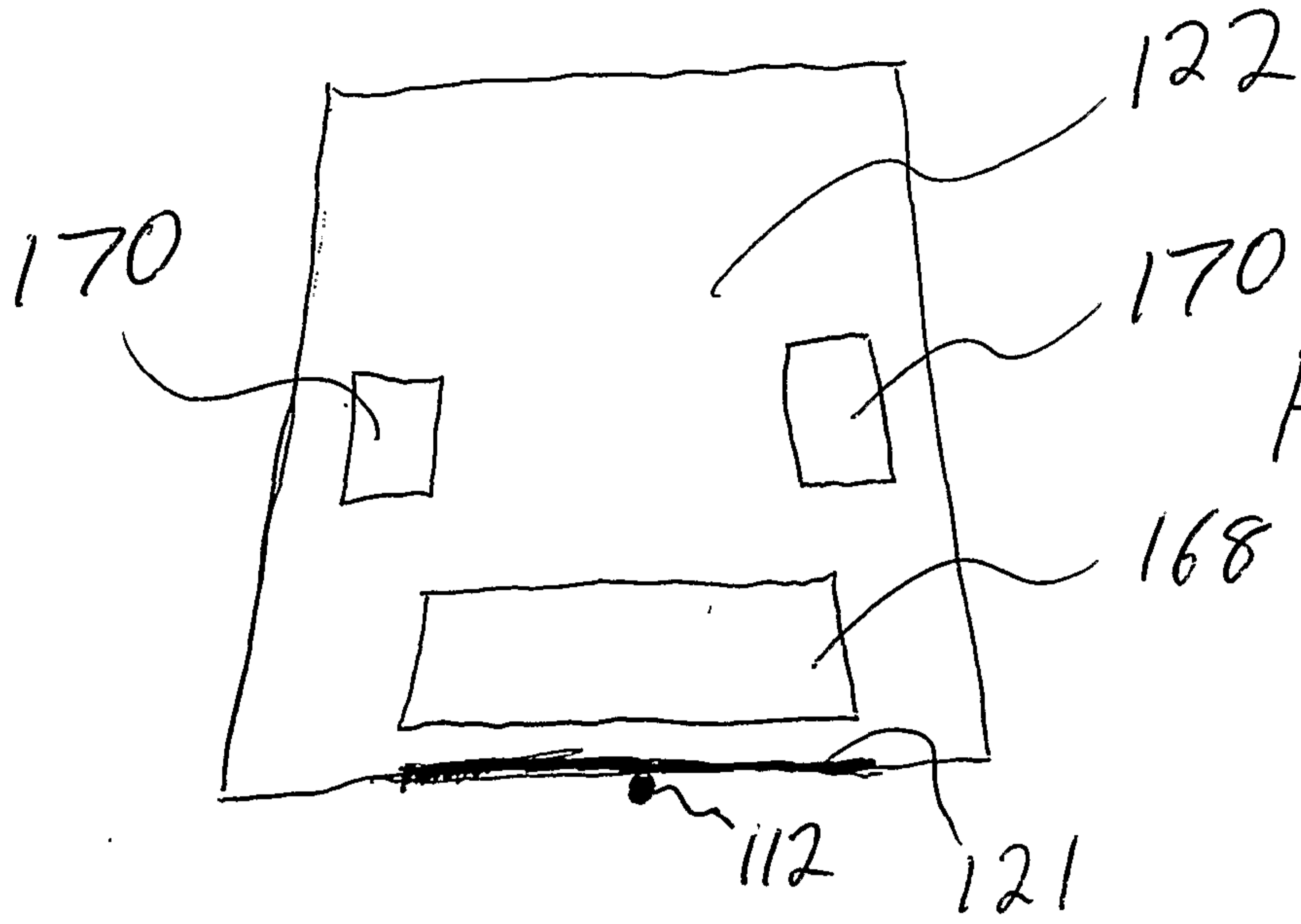


Figure 10

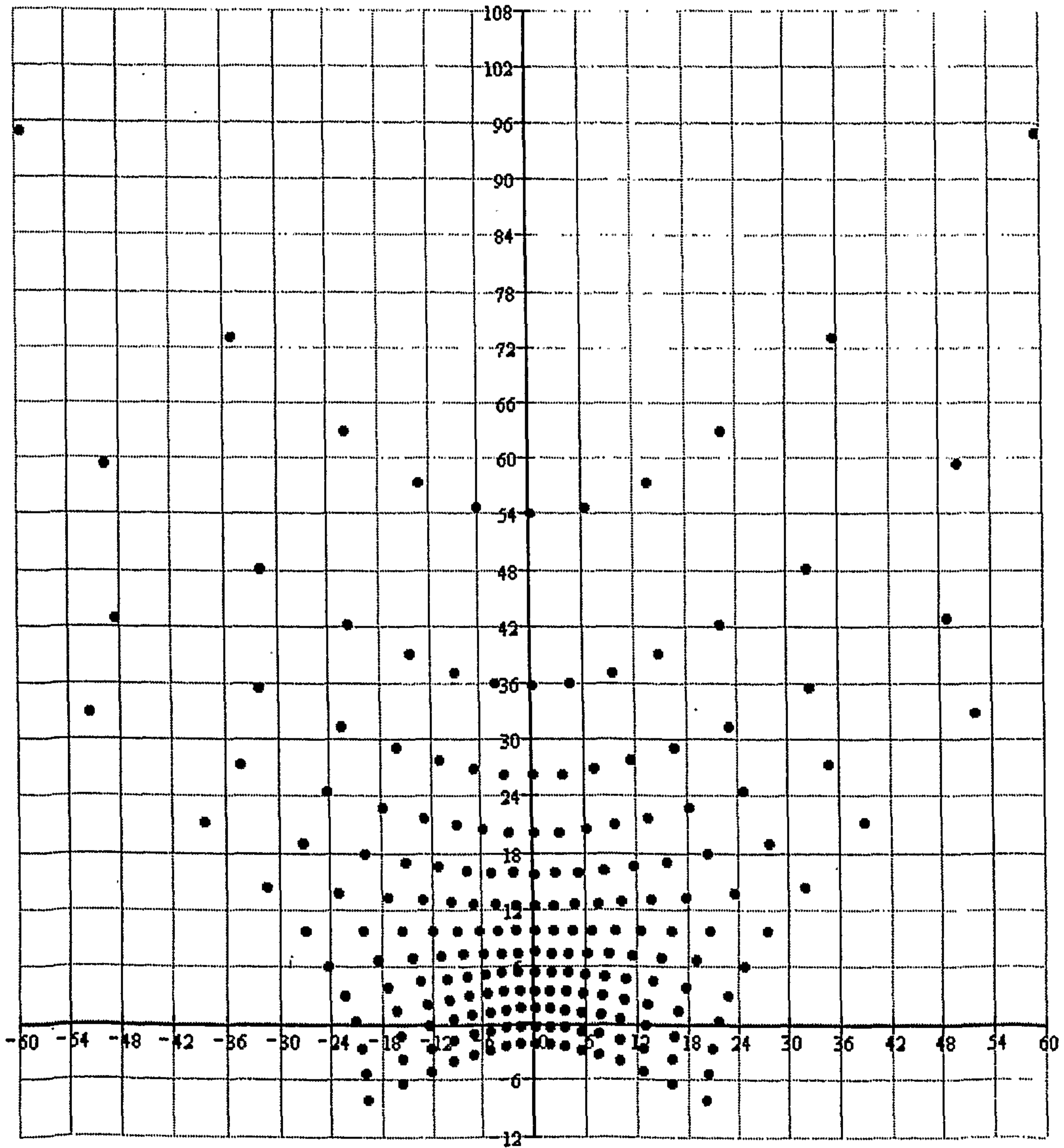


Figure 11

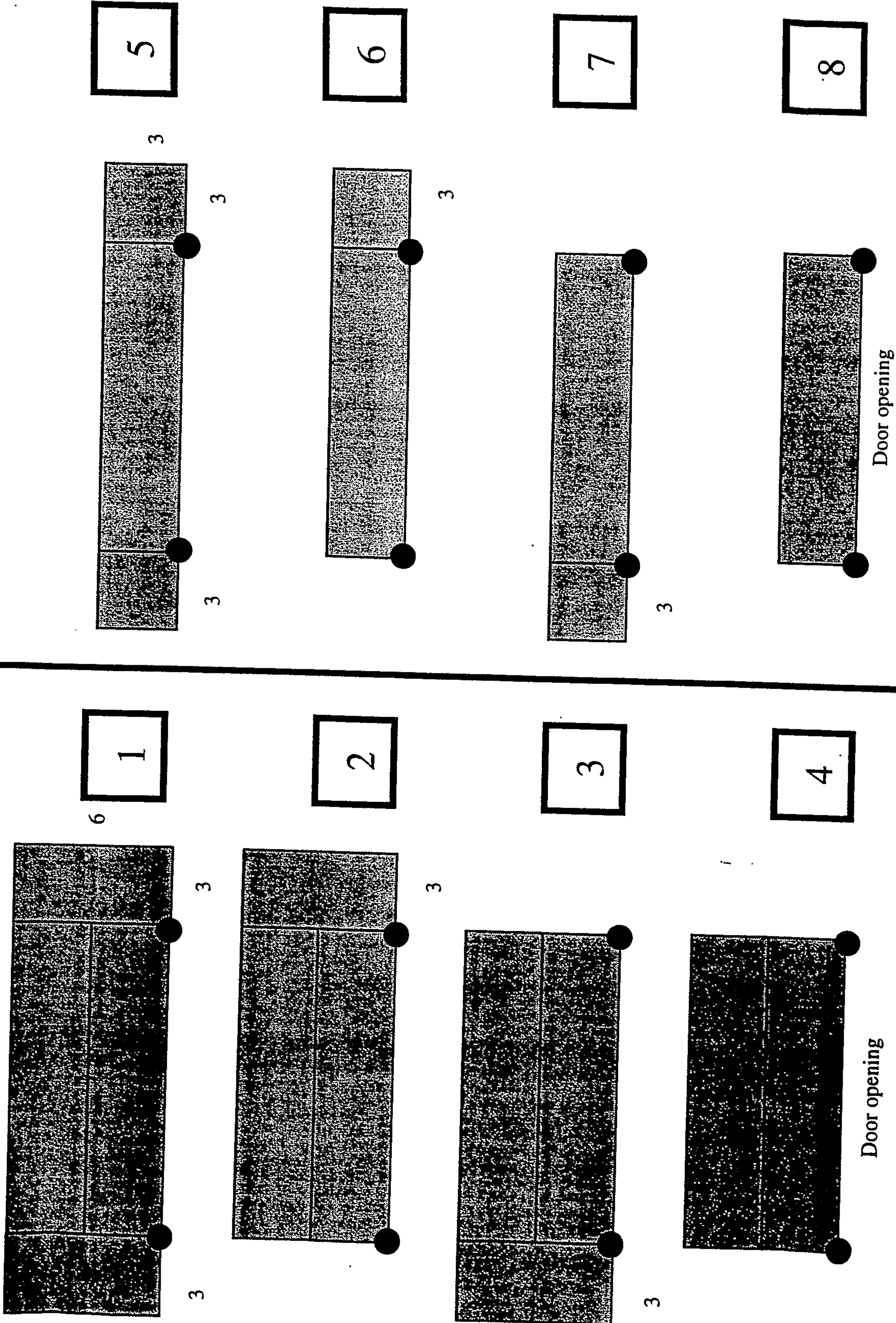
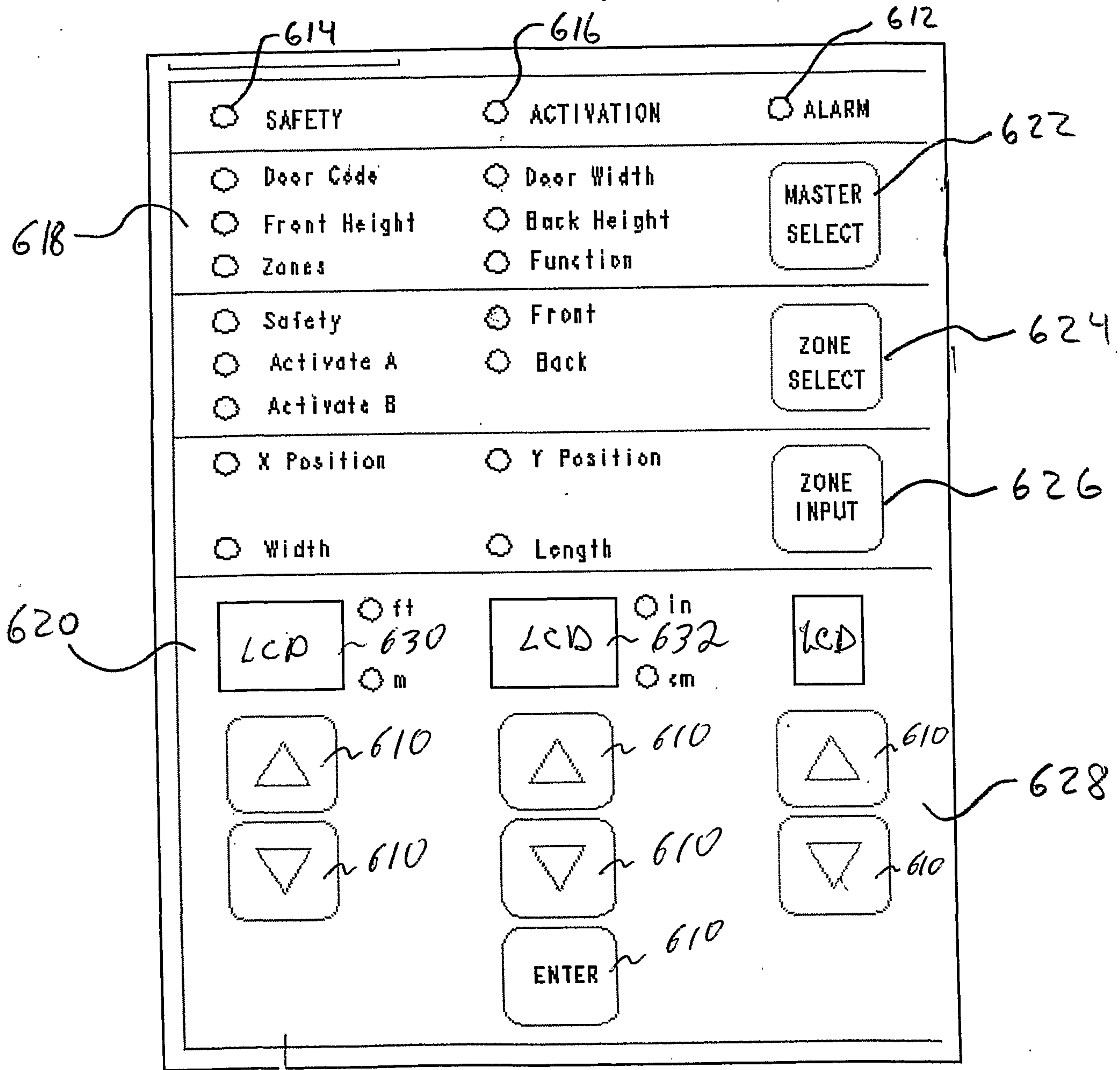


Figure 12



118

Figure 13

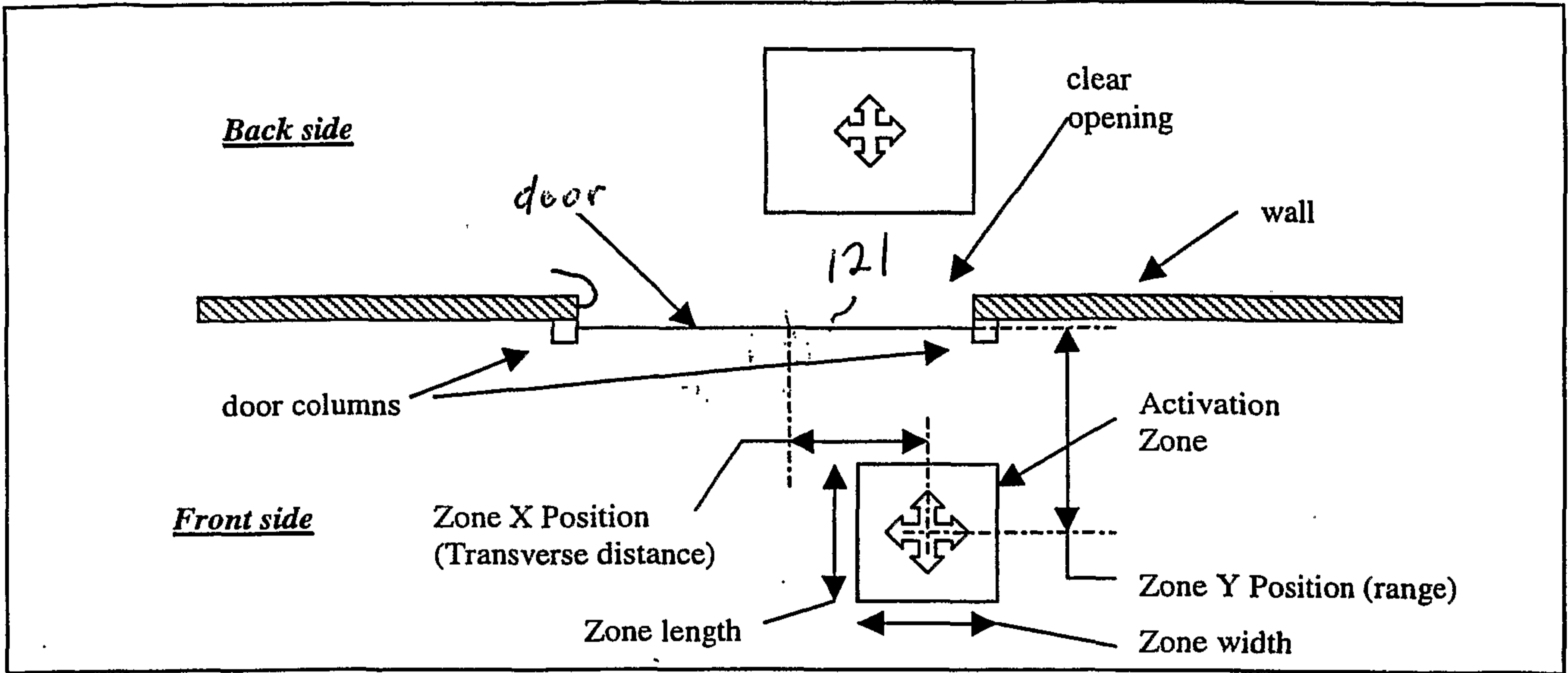
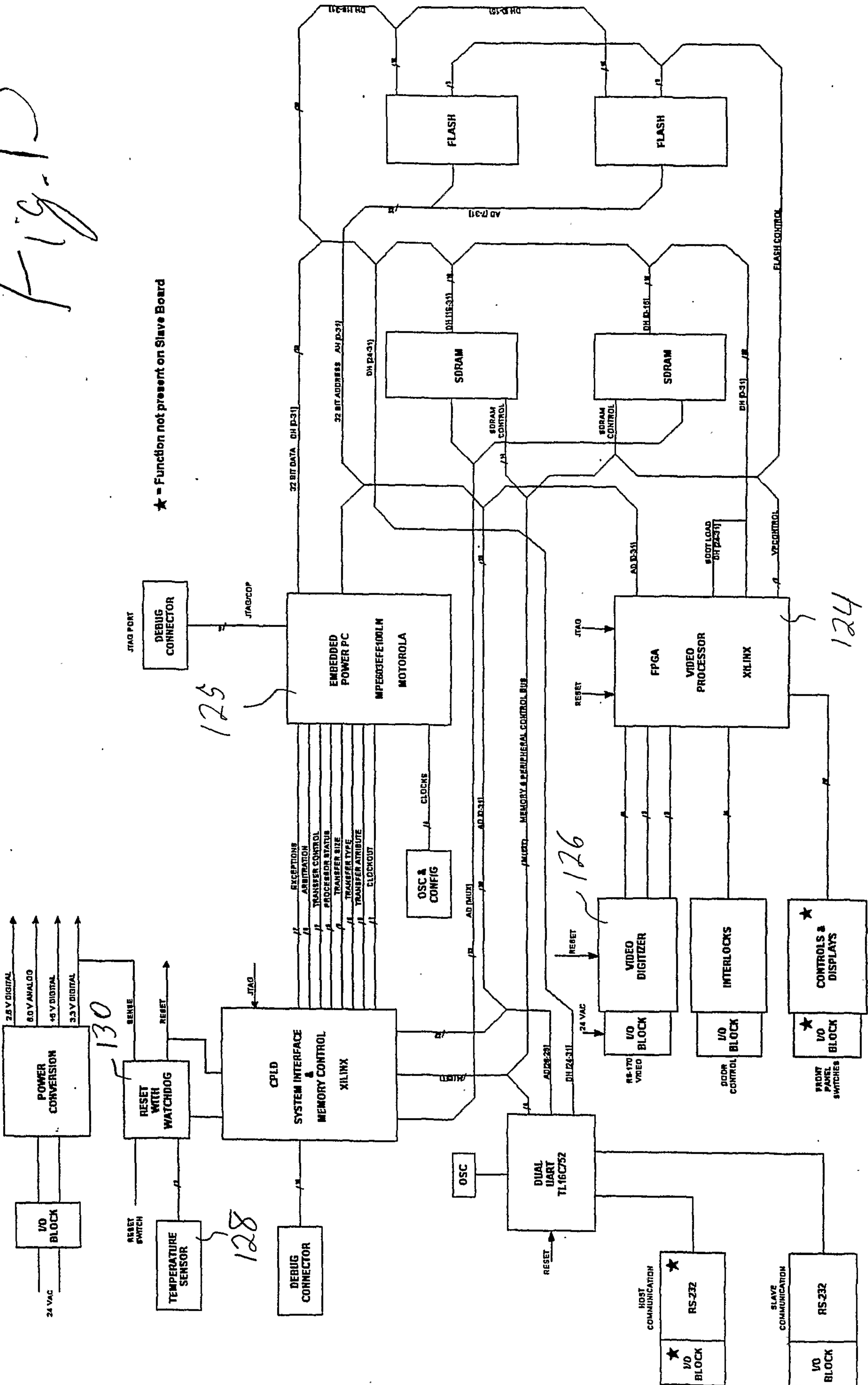


Figure 14

Fig. 15



★ = Function not present on Slave Board

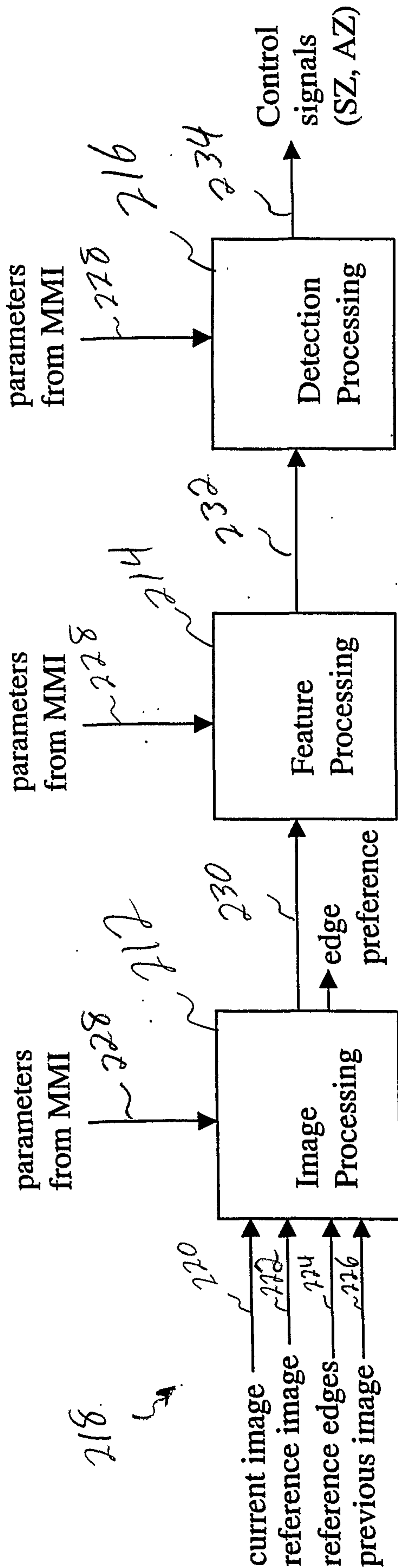
125

130

128

126

124



- System Image Processing (I-IV)
 - Edge Segmenter
 - Motion Segmenter
 - Region Segmenter
- System Data Processing (I-IV)
 - Edge Features (P)
 - Motion Features (M)
 - Region Features (SL)
 - Frame Features
- System Information Processing (I-IV)
 - Detection
 - Reference Updates
 - Adaptive Thresholds

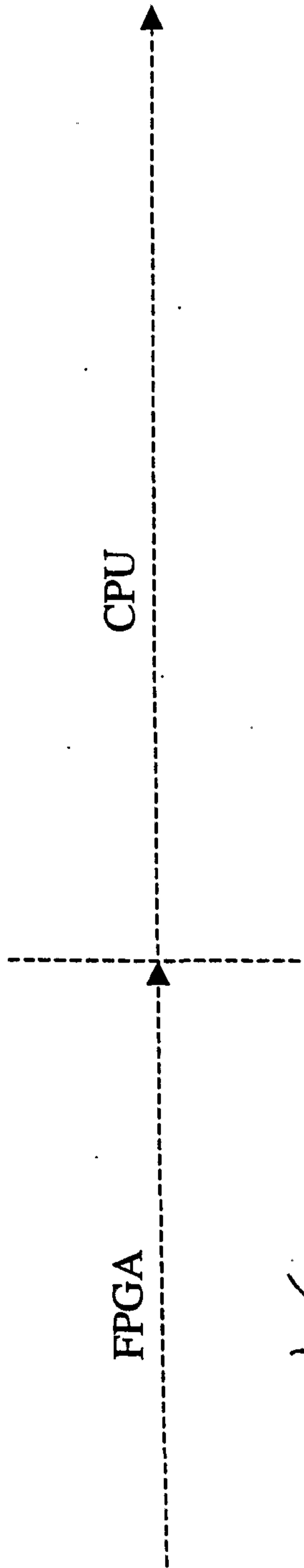
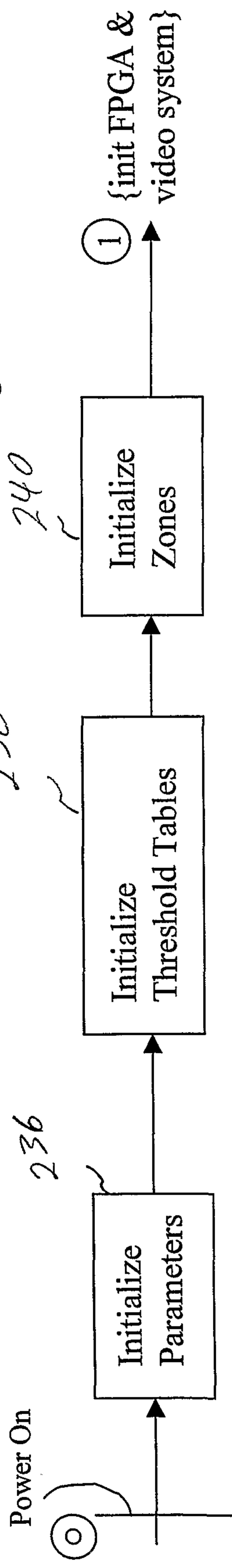


Figure 16

System Initializations I

234

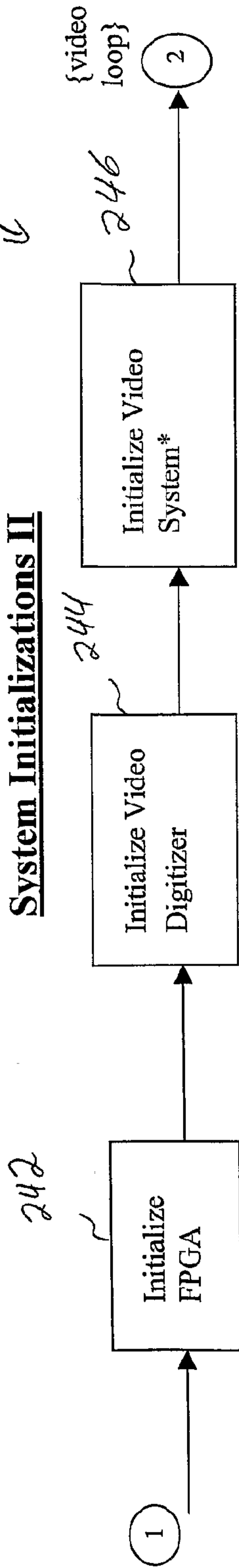
✓



- ◆ MMI
- ◆ constant data
- ◆ derived parameters
- ◆ area threshold maps from camera geometry and resolution models
- ◆ derived real-world coords from input parameters
- ◆ generate zone masks from geometry model
- SZ, SZS, DZ
- AZ{0, 1}, GZ{0, 1}
- ◆ generate zone rectangles and zone mean area thresholds

Figure 17

System Initializations II

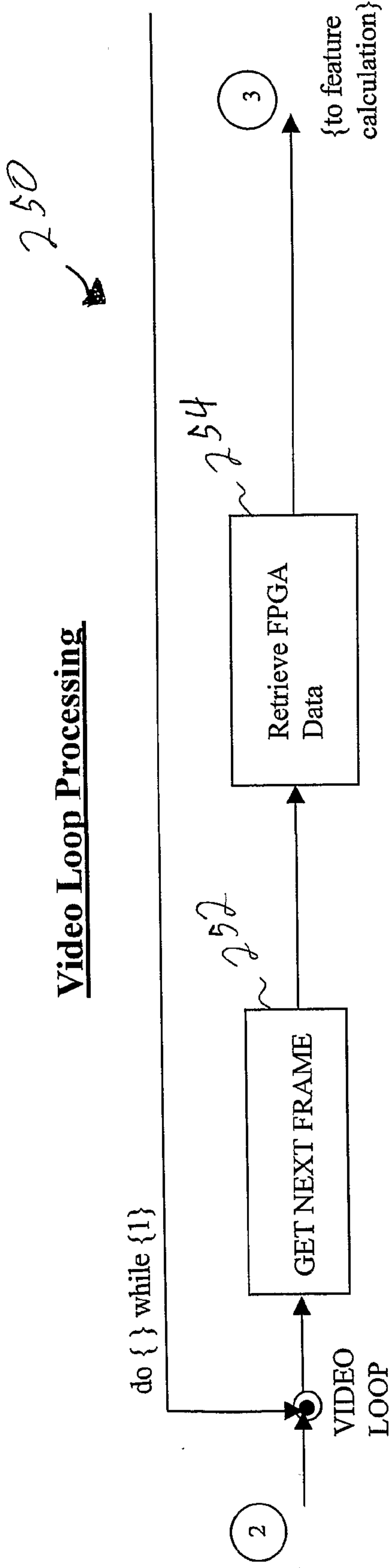


- ♦ init FPGA serial I/O
 - threshold inputs {1,2,3}
 - initial LED state {5,6}
 - ♦ init CSR†
 - set all interrupts
 - ♦ init Buffer pointers
 - Banks {0,1}; A,R,GER
 - ♦ select ping/pong Bank \emptyset
- ♦ build & send FPGA serial KS1022 data {4}
 - 3 byte frame instructions
- ♦ use CSR to select Bank \emptyset buffer pointers
 - ♦ use CRS to set capture video, wait for capture complete interrupt
 - ♦ CPU unit references
 - copy B \rightarrow A, B \rightarrow R
 - Sobel(B) \rightarrow GER
 - copy GER \rightarrow Archive Edges
 - ♦ use CSR to set process video, wait for process complete interrupt
 - ♦ magnify GER based on clutter suppress value
 - ♦ init frame Analysis Bank \emptyset histogram from FPGA output
 - ♦ init Bank \emptyset region, conflict & black counts from FPGA output
 - ♦ init Frame Analysis data
 - ♦ calculate edge & grey level statistics in defined zones

Figure 18

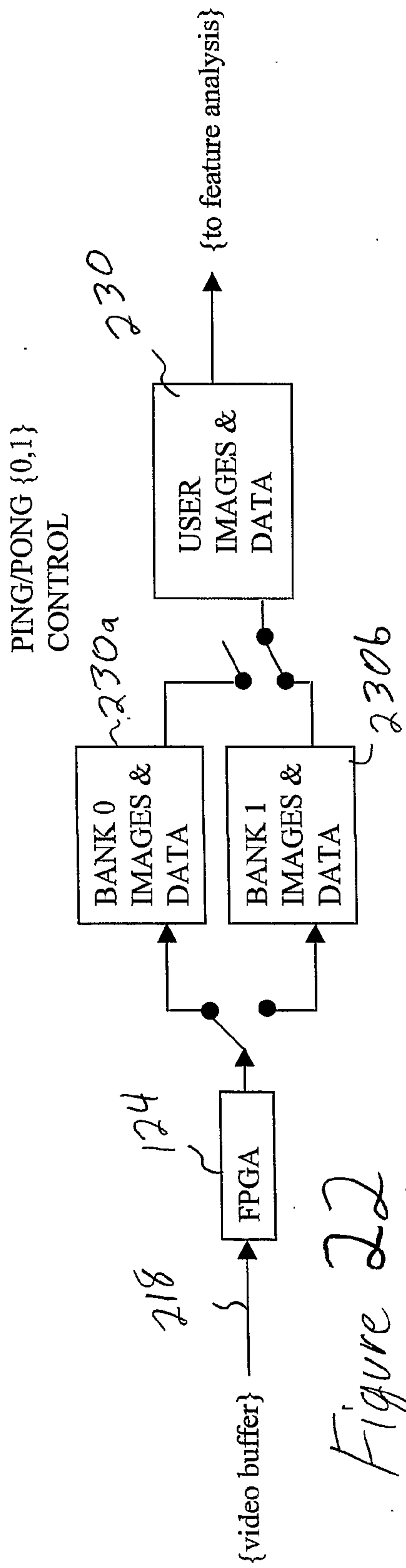
† CSR = FPGA Control/Status Register
 * without ACC

Video Loop Processing



- ◆ set user image pointers to current ping/pong Bank {0,1}
- ◆ set up next capture/process
 - if Bank 0, use CSR to select Bank 1, set capture & process bit
 - if Bank 1, use CSR to select Bank 0, set capture and process bit
- ◆ set user histogram values to current ping/pong Bank {0,1}
- ◆ set user region/conflict/black counts to current ping/pong Bank {0,1} values
- ◆ unpack current ping/pong Bank {0,1} equivalence data to user equivalence tables

Figure 19



* w/o ACC

Video Loop Processing

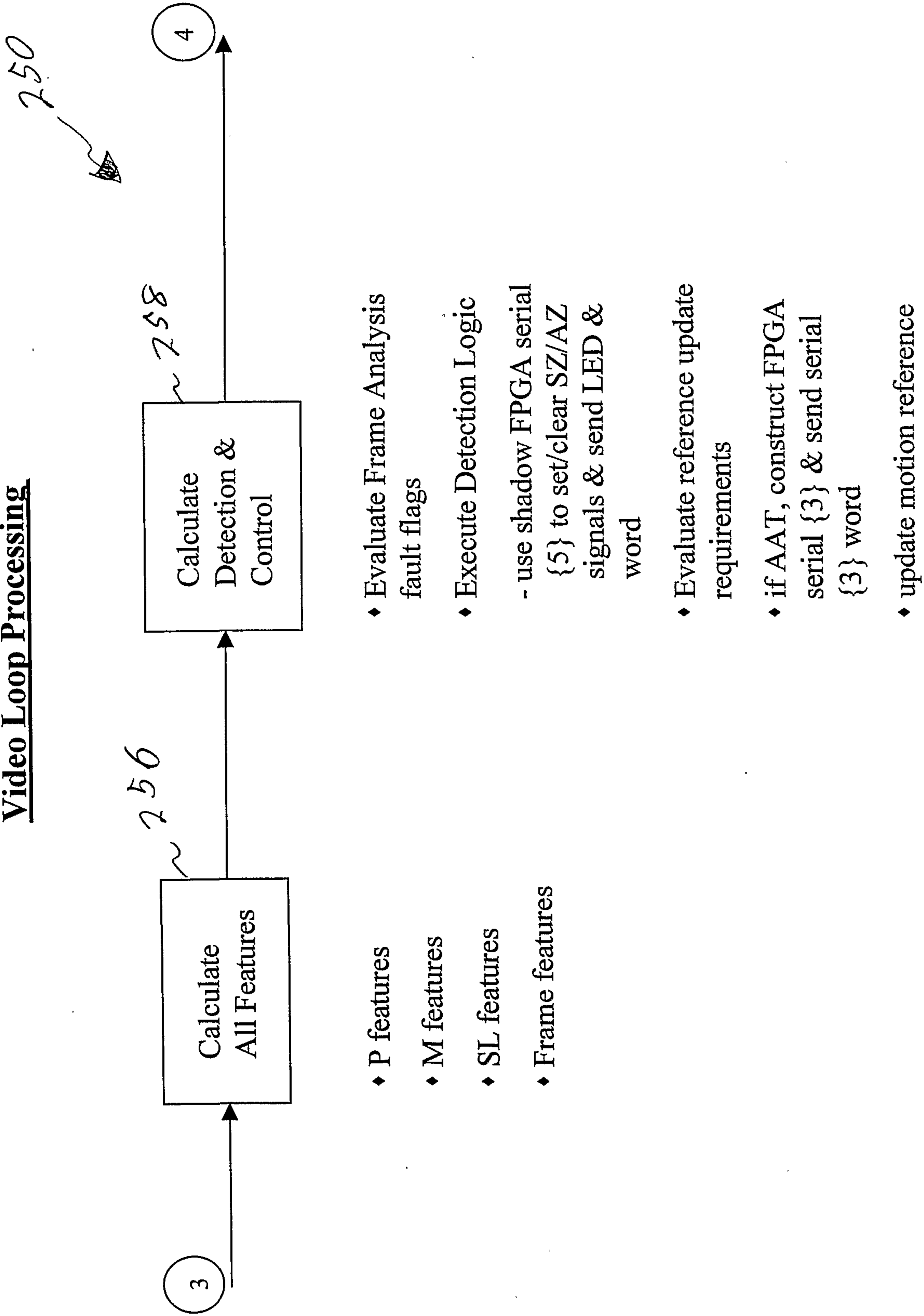
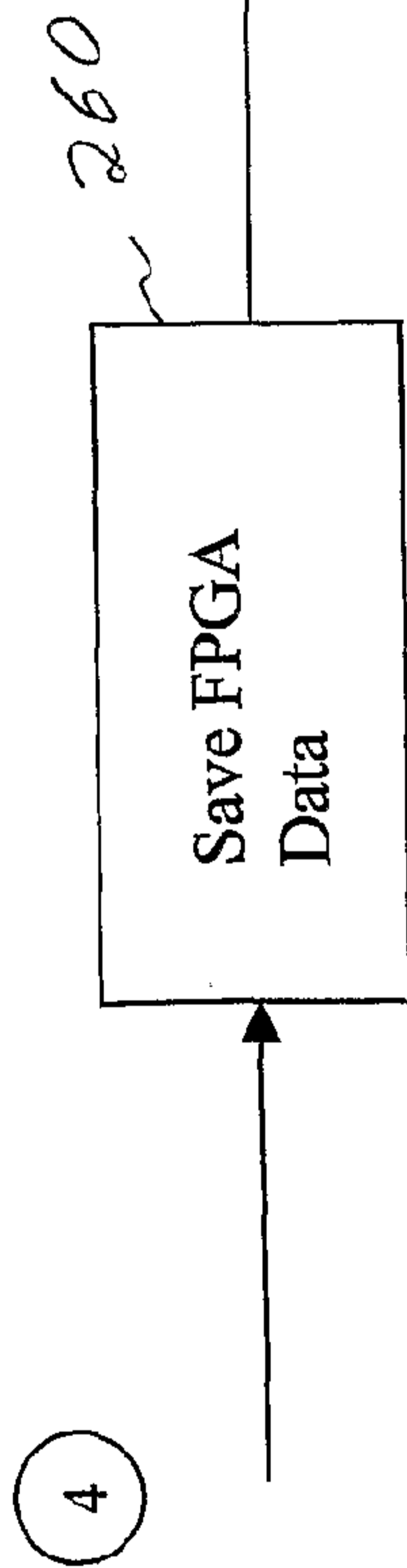
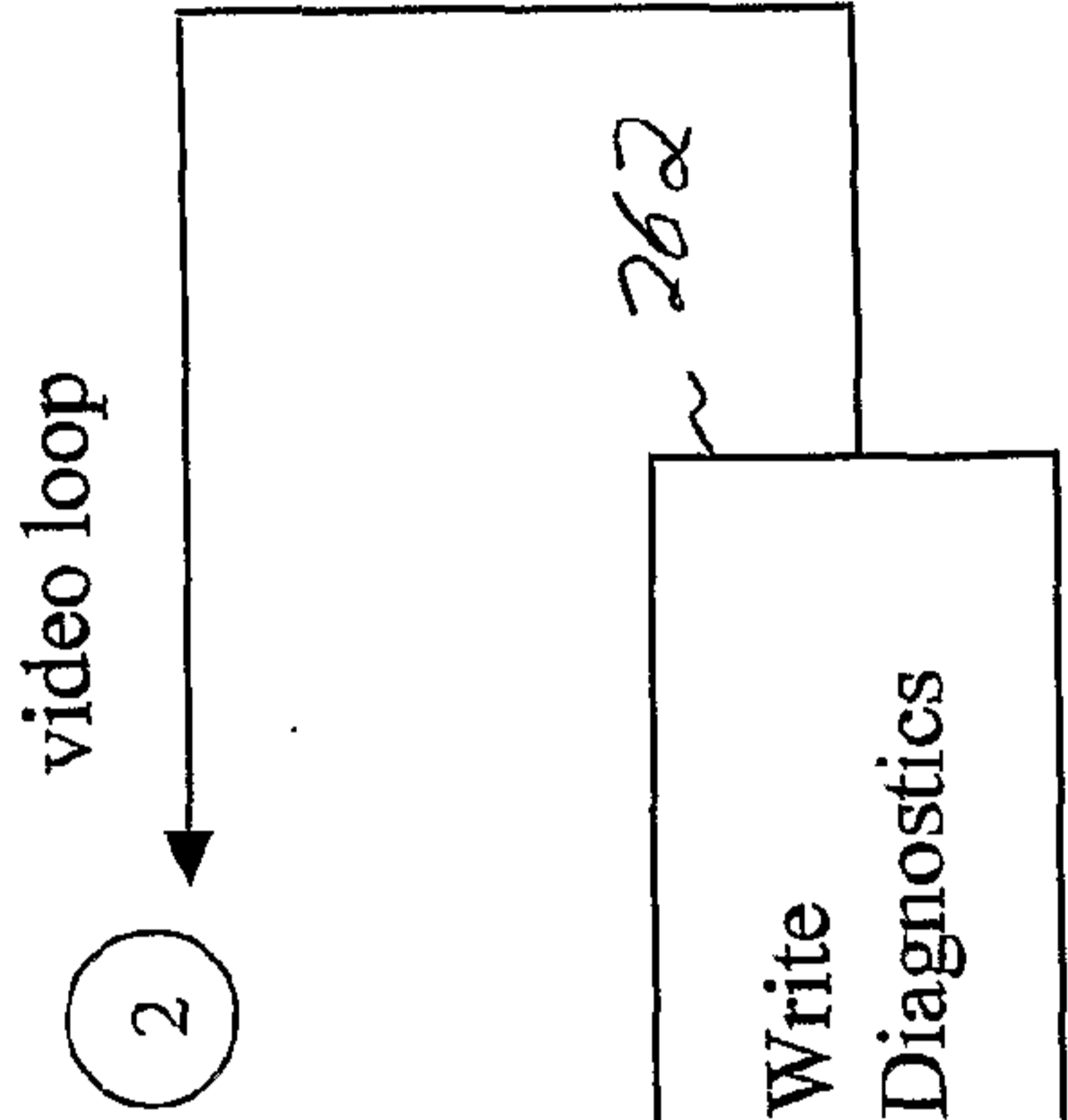


Figure 20

Video Loop Processing

750



♦ every-frame diagnostic messages

♦ Wait for FPGA process done interrupt clear†

♦ Retrieve FPGA histogram & region/conflict/black counts, flip ping/pong {0→1, 1→0}

Figure 21

†(FPGA processing time less than CPU feature processing)

System Ping/Pong: Initialization

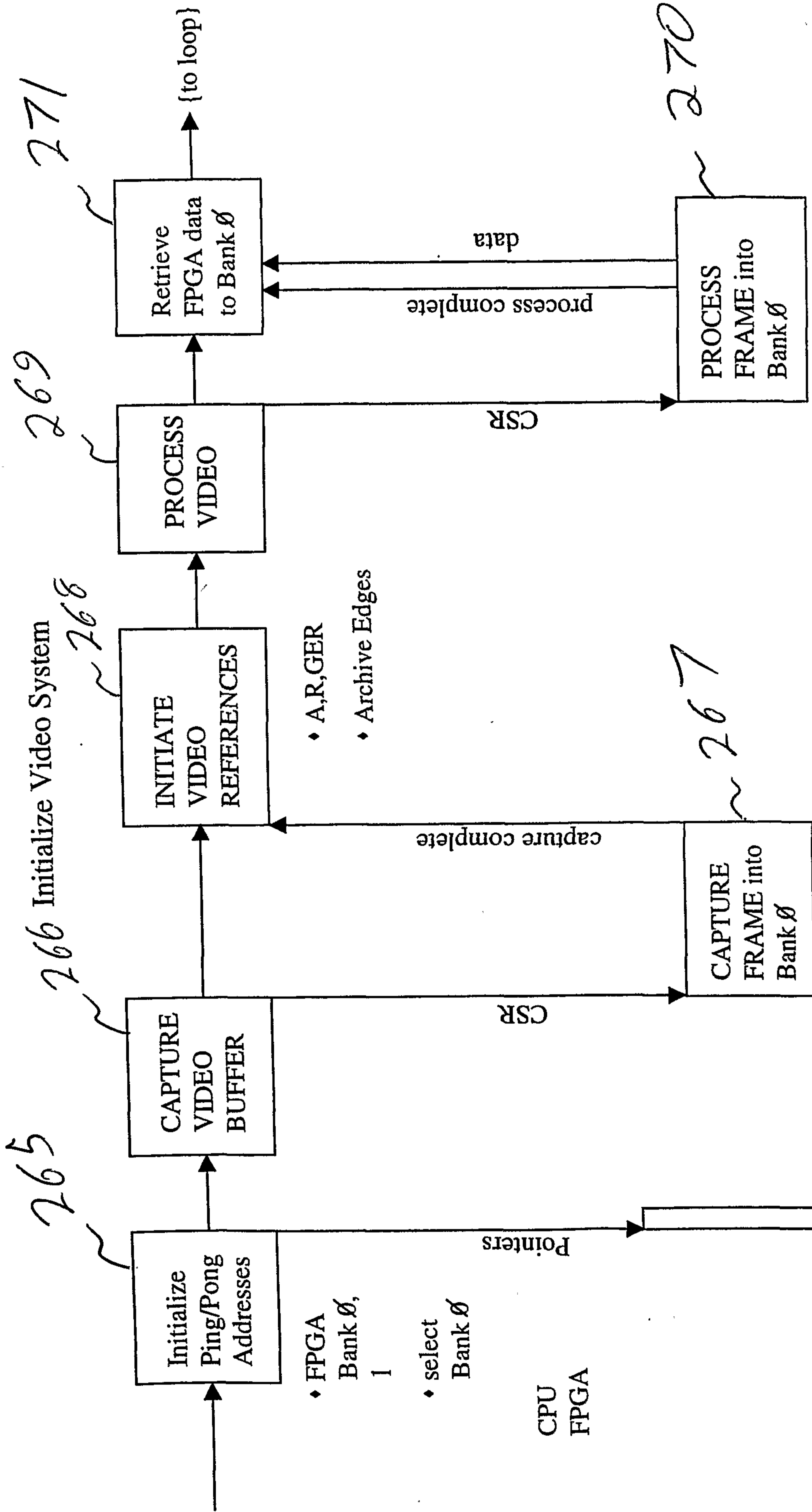
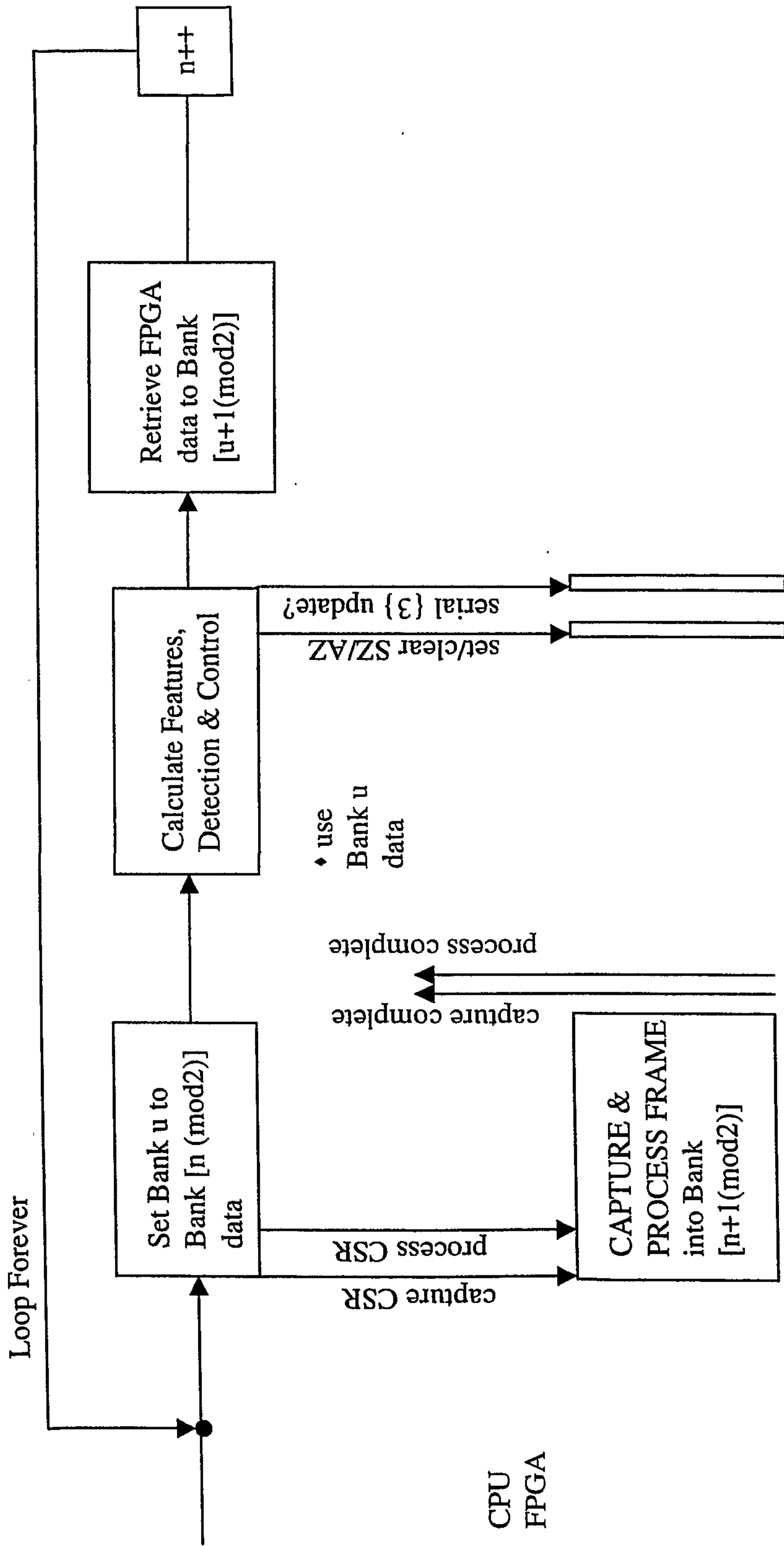


Figure 23

System Ping/Pong: Loop

272



CPU
FPGA

Figure 24

N = frame number

ACC In Initialization

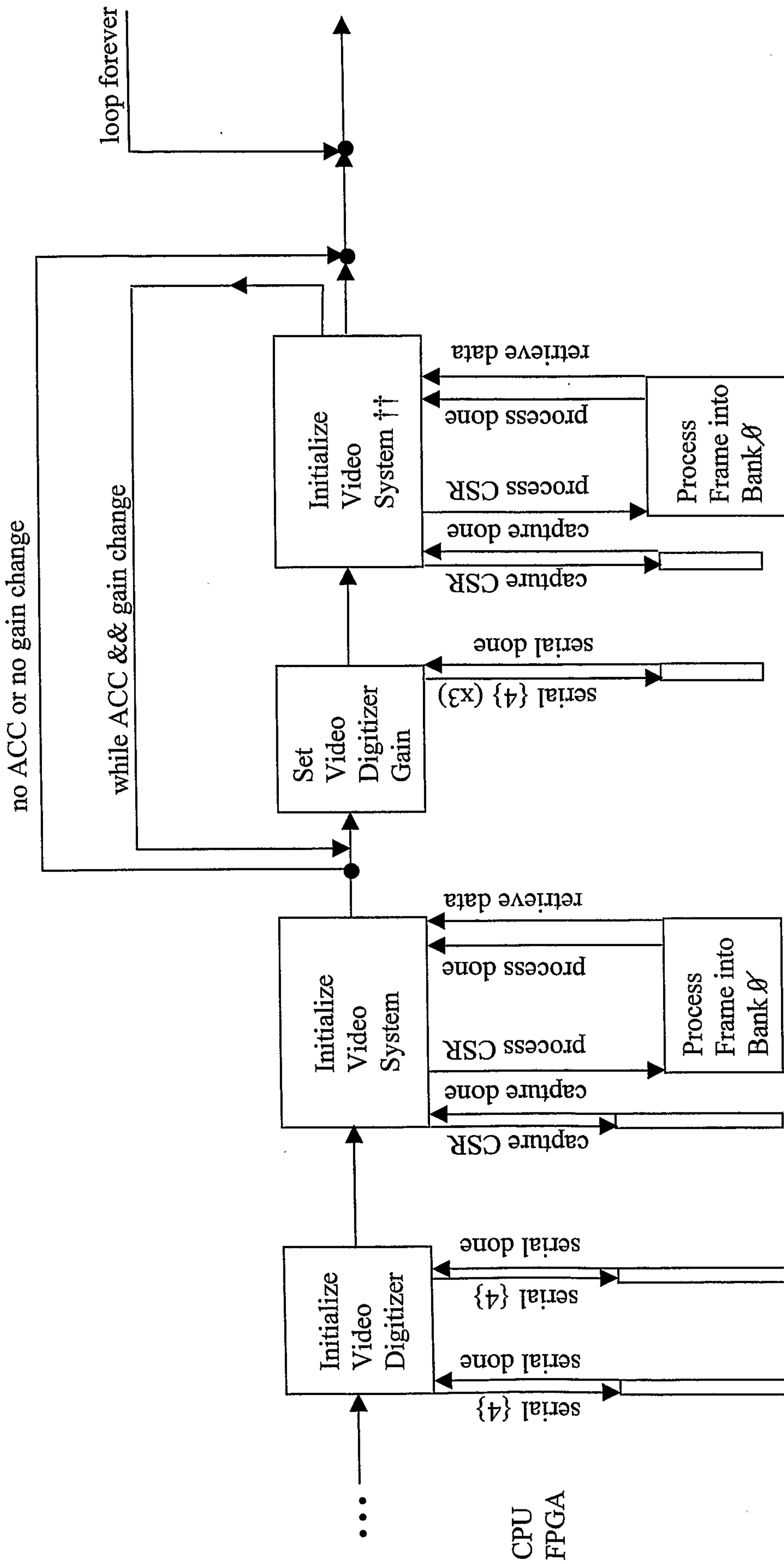


Figure 25

†† except, do not initialize zone statistics

ACC in Video Loop

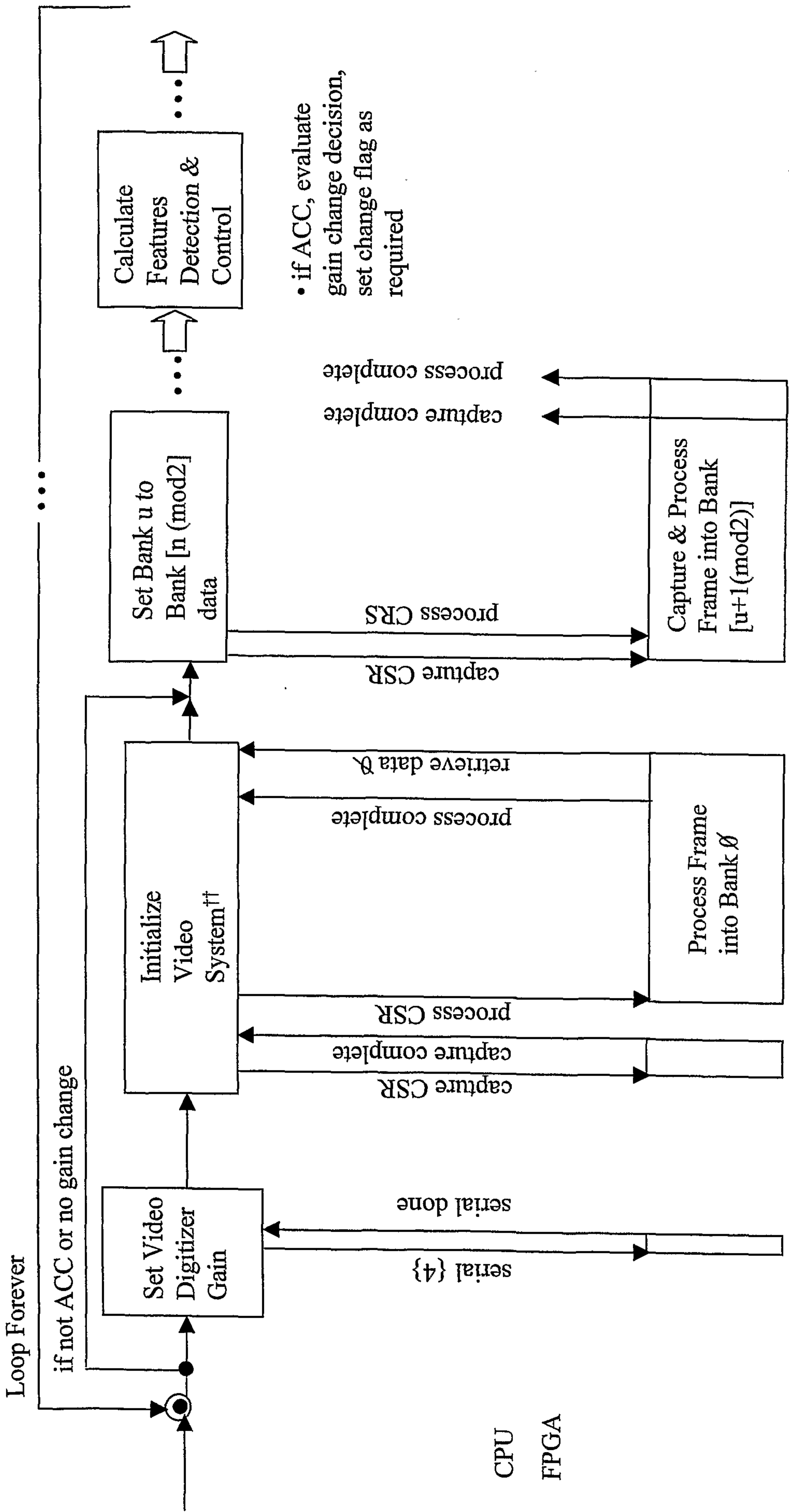


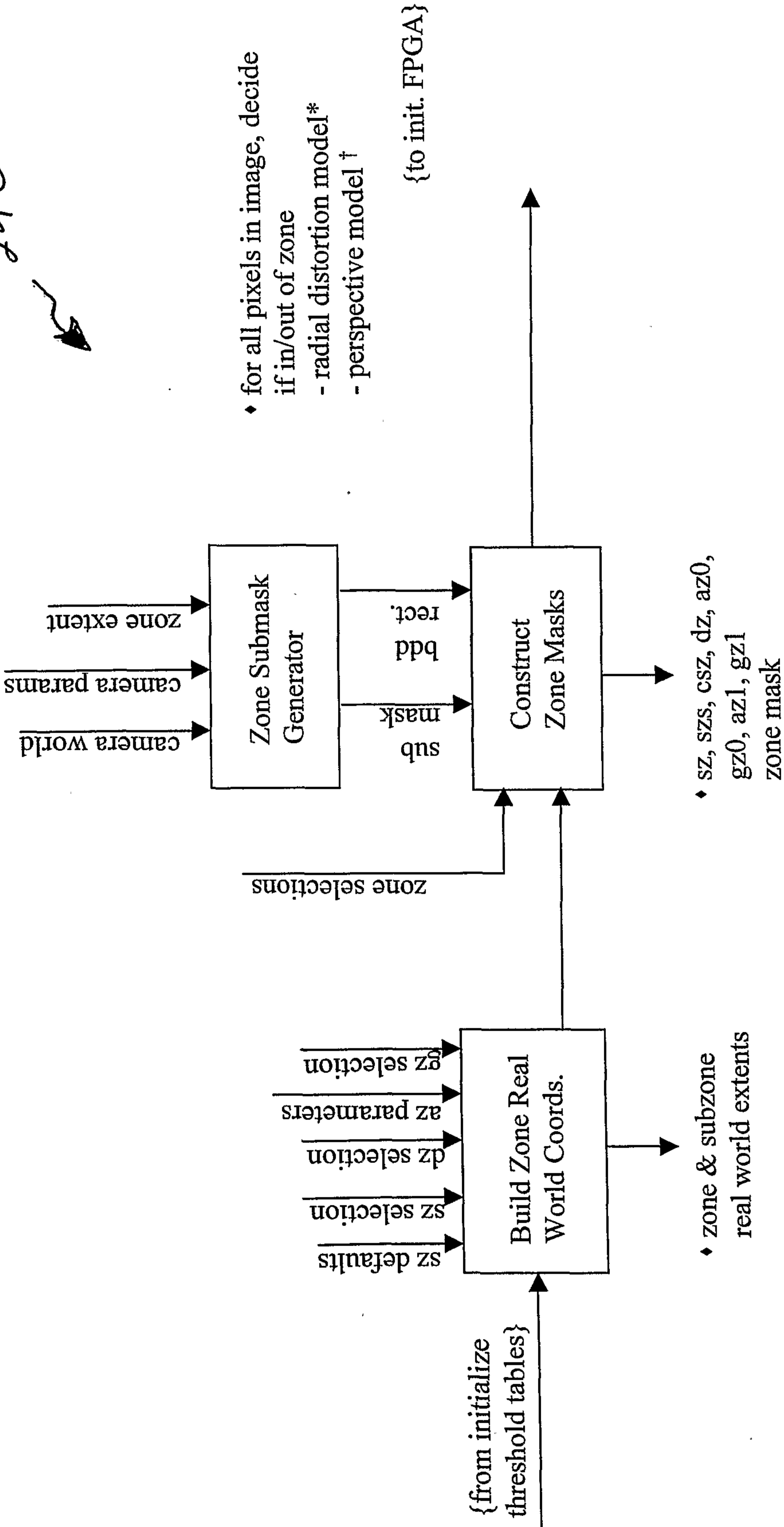
Figure 26

** see description on "System Ping/Pong: Initialization"

System Initialization:

Initialize Zones

240
↙



NOTES: *lens radial distortion parameters determined via laboratory procedure

† inverse homogeneous coordinates, pin-hole camera model

Figure 27

System Initialization:

Initialize Threshold Tables

238

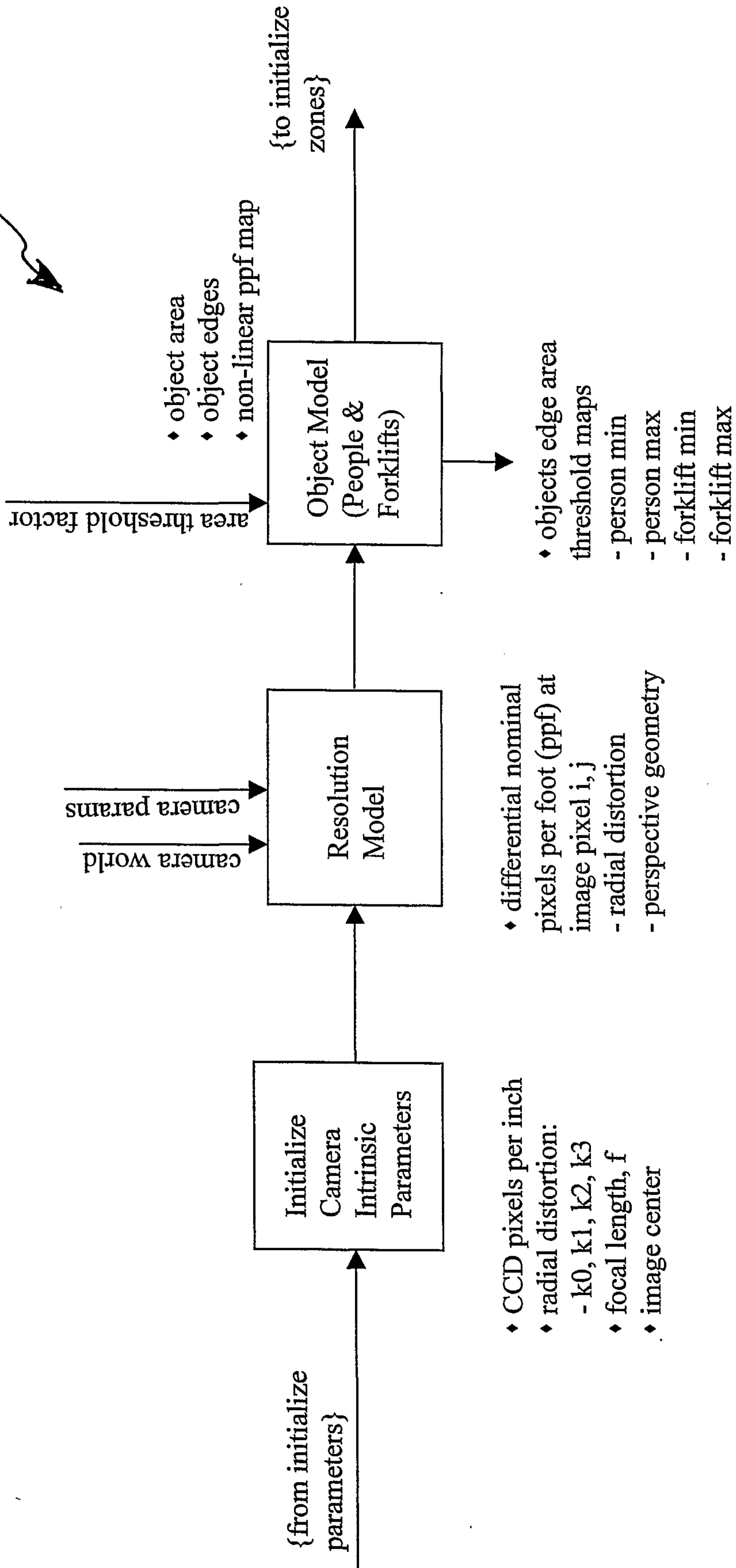
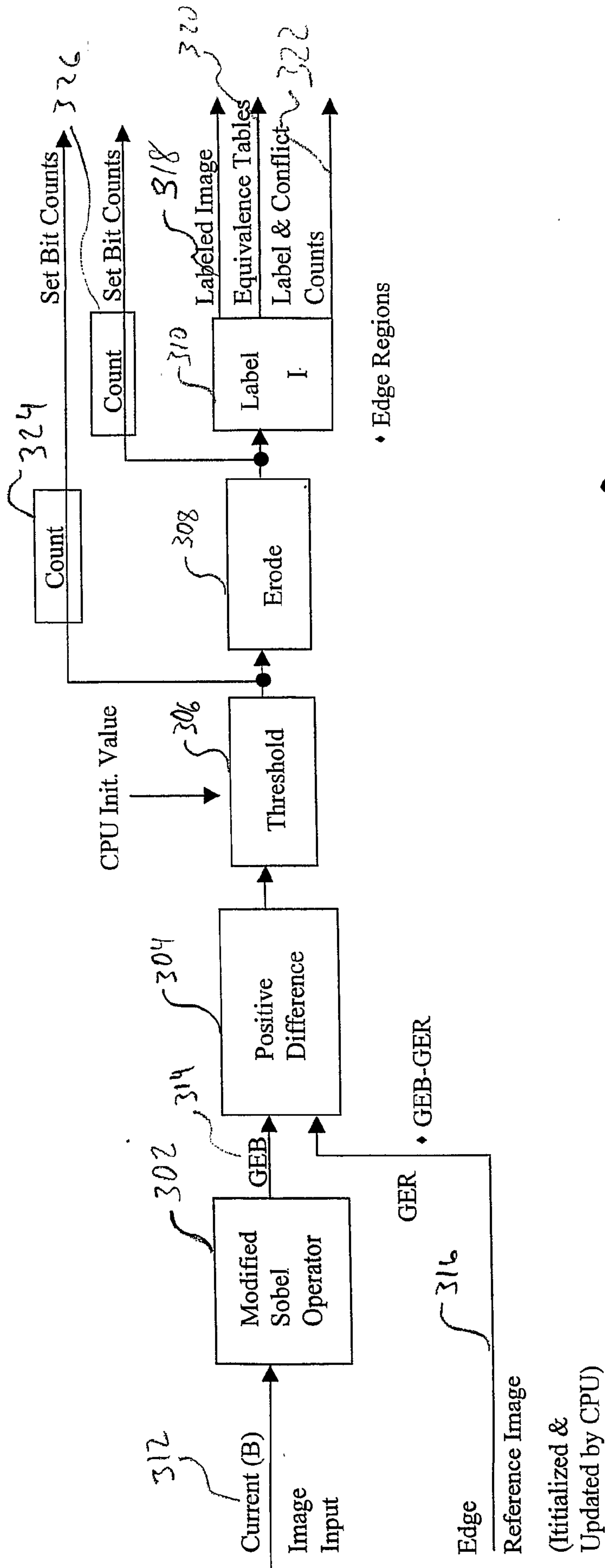


Figure 28

System Image Processing I:

Edge Detector

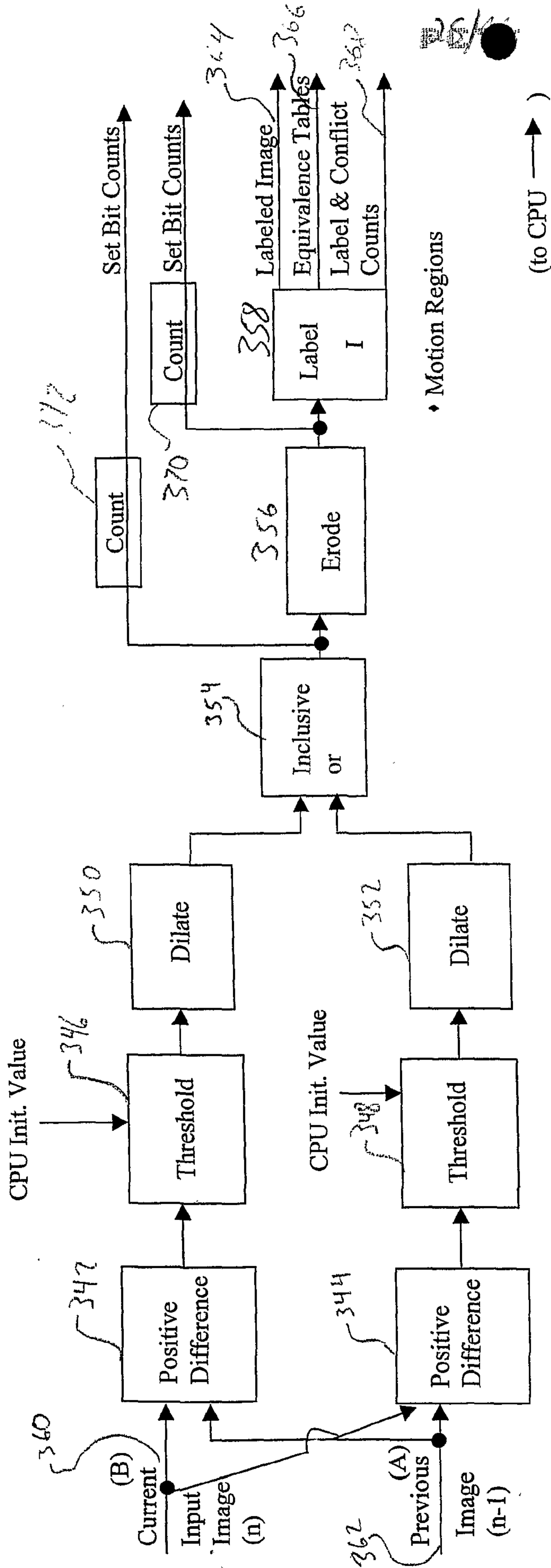


♦ Edge Regions

301

Figure 29

System Image Processing II:
Motion Detection Using Regions



340

Figure 30

System Image Processing III:
Region Analysis (Shadow & Light Beam Processing)

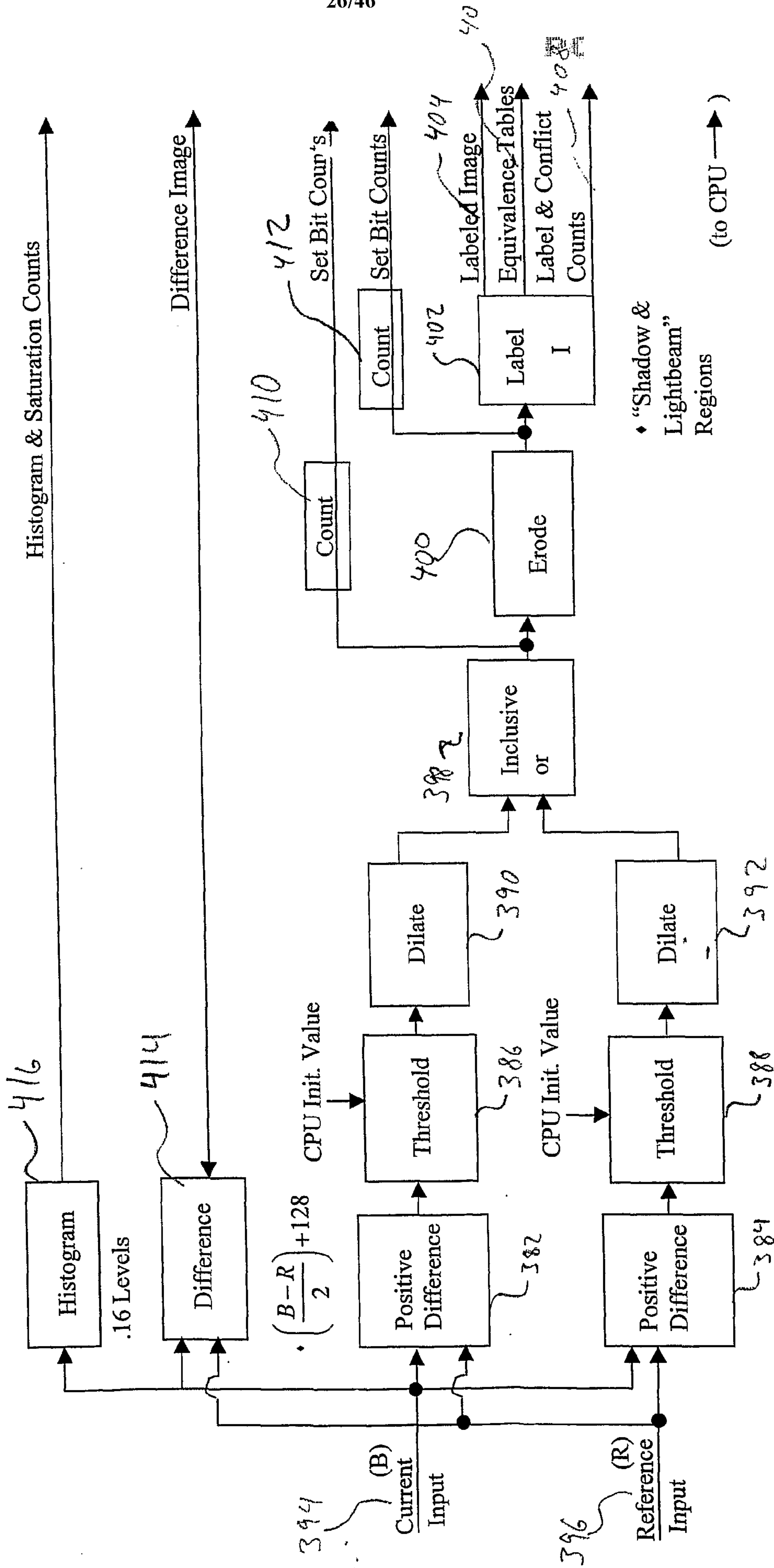


Figure 31
 380

System Image Processing IV:
Motion Detection Using Edges

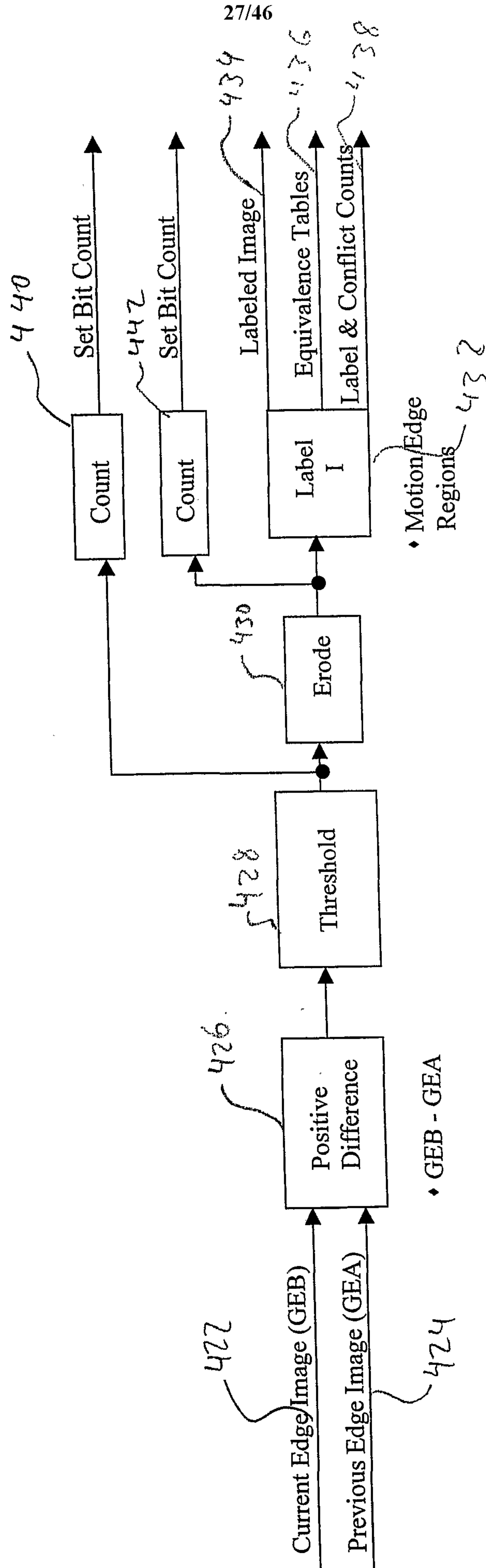


Figure 32

System Data Processing I:

Feature Generation

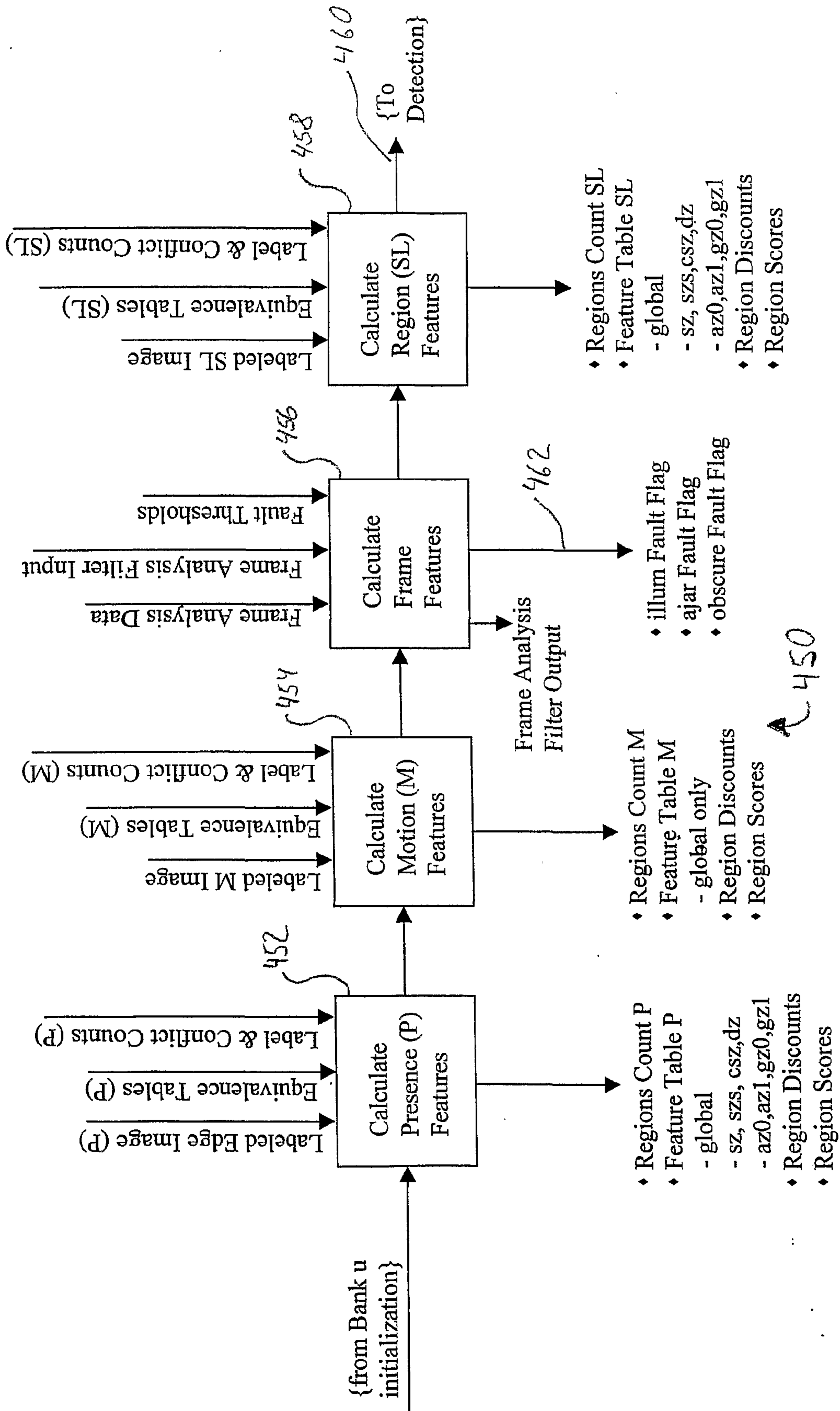


Figure 33

System Data Processing II:

Calculate Presence (Edge) Features

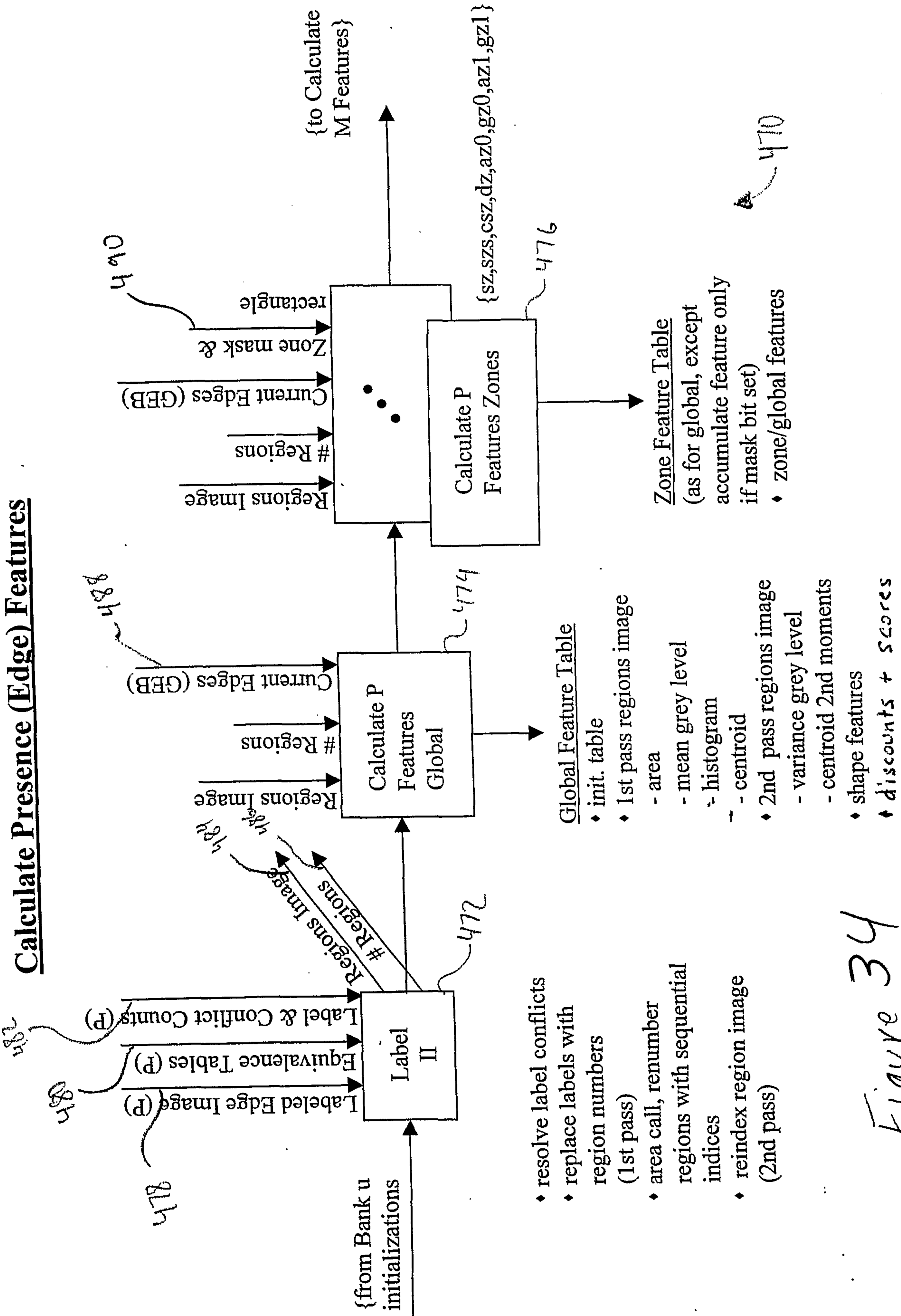
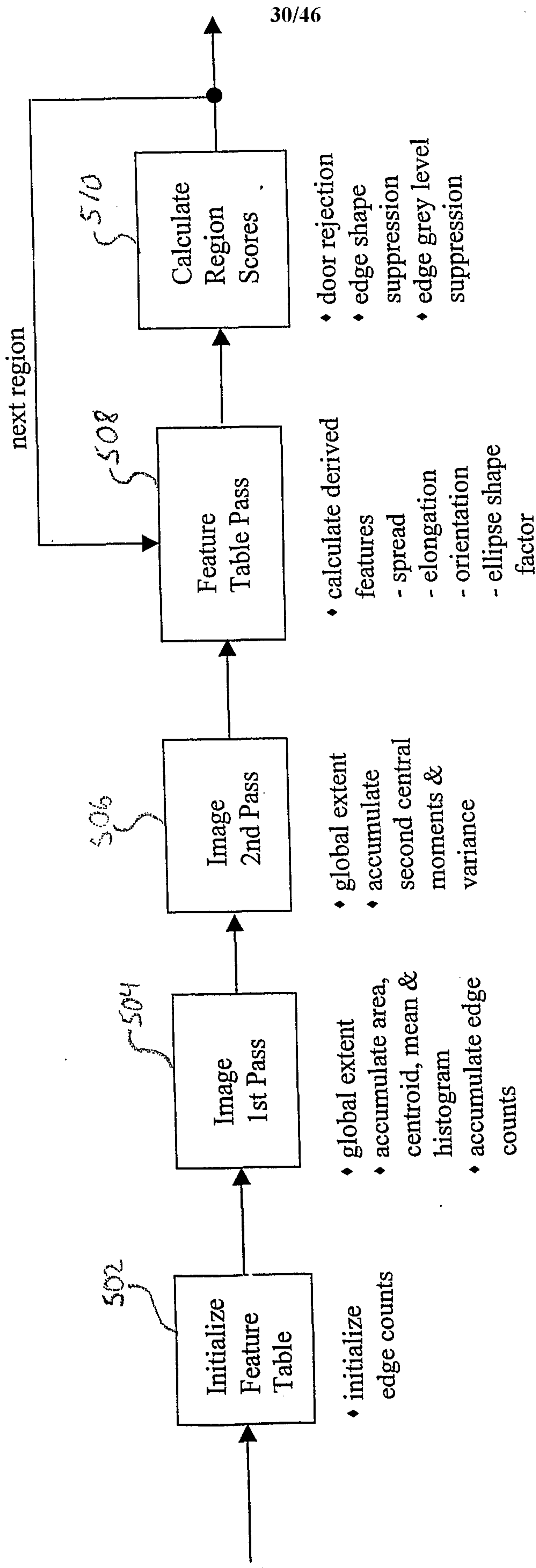


Figure 34

System Data Processing IIa:

Calculate P Features Global

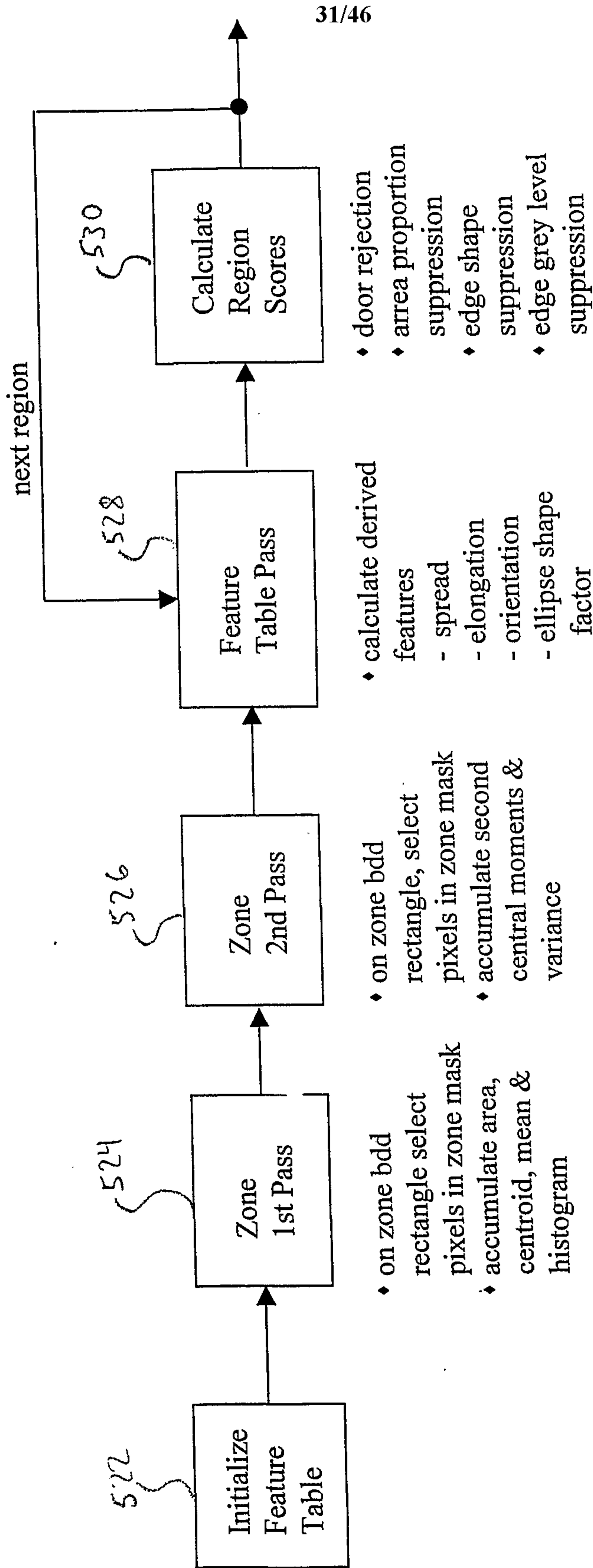


500

Figure 35

System Data Processing IIb:

Calculate P Features Zones



520 ↖

Figure 36

System Data Processing III:

Calculate SL Region Features

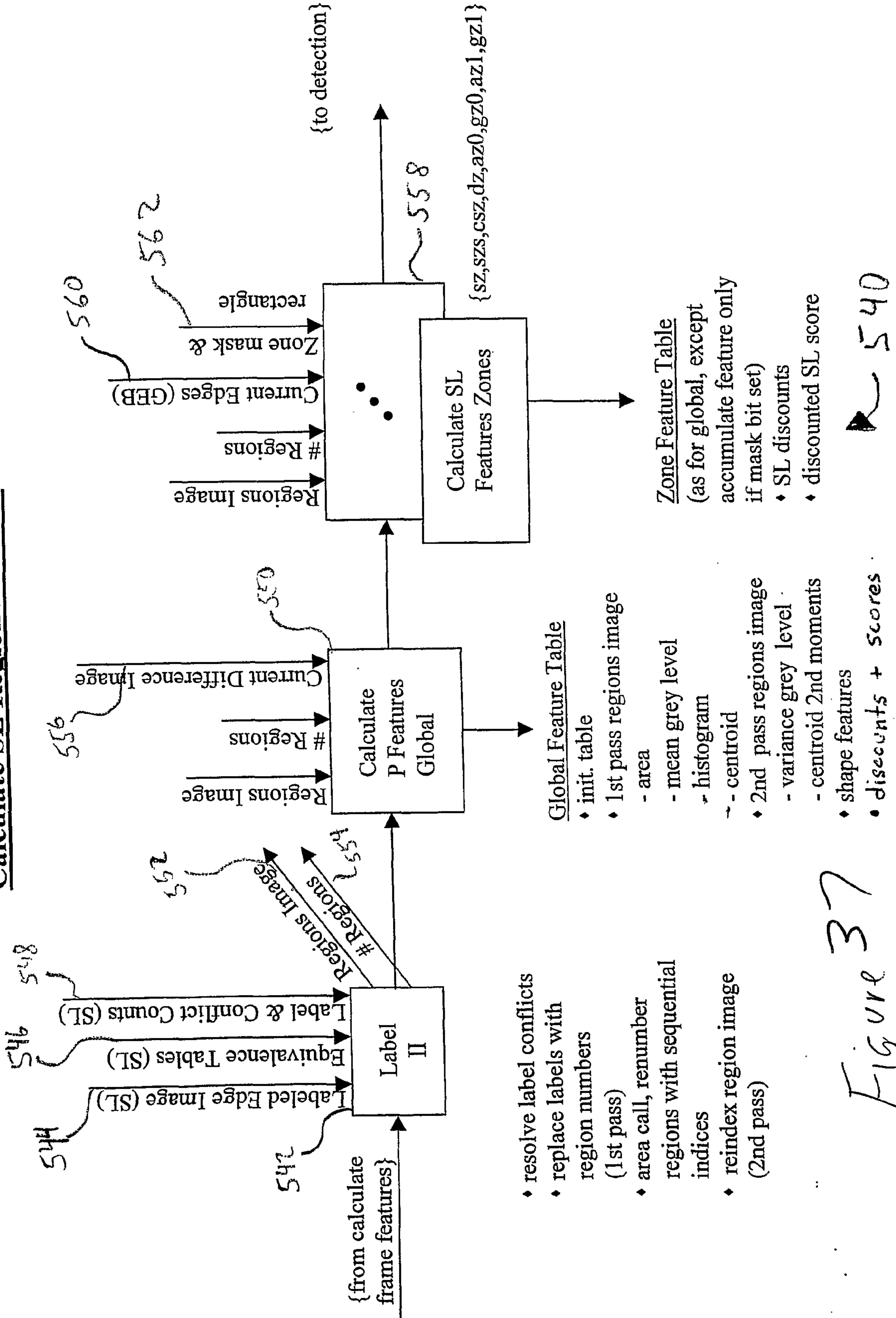
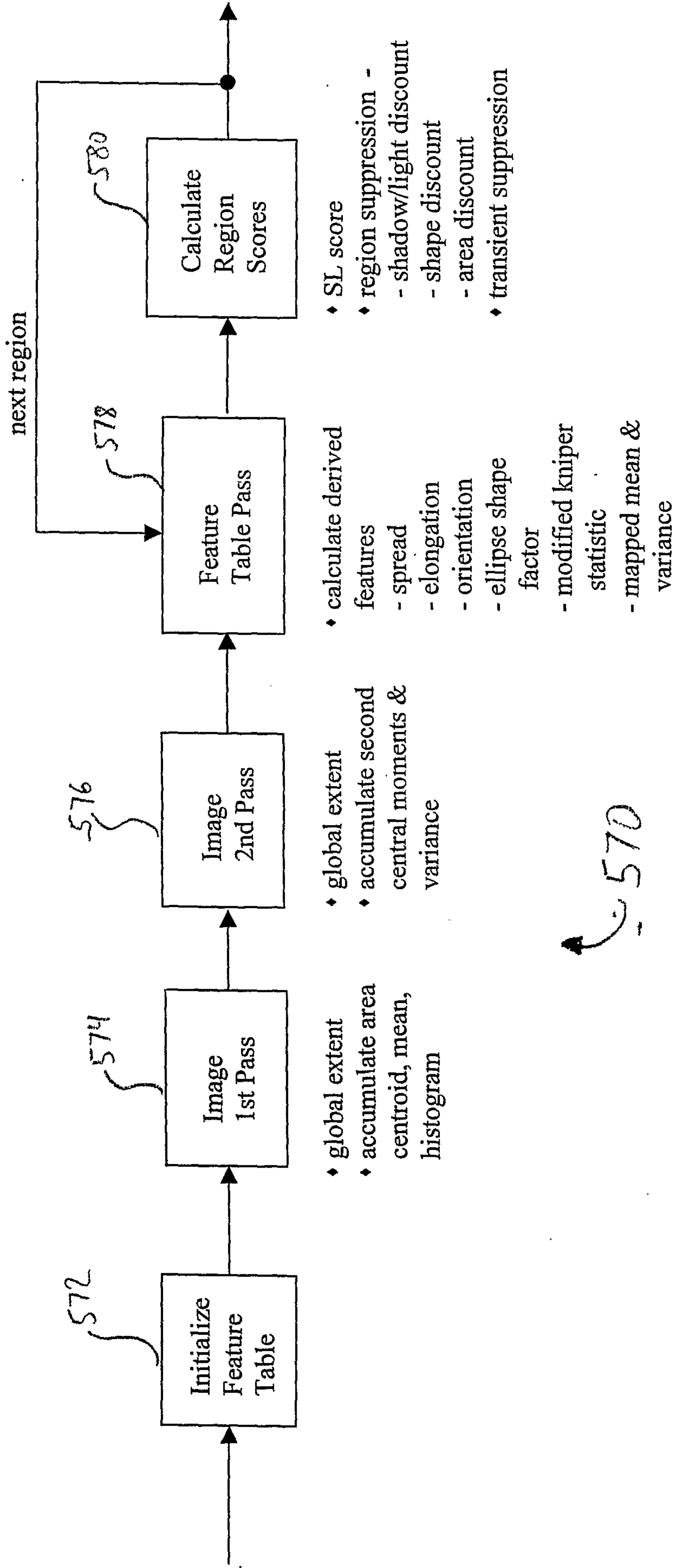


Figure 37

System Data Processing IIIa:

Calculate SL Features Global



570

Figure 38

System Data Processing IIb:

Calculate SL Features Zones

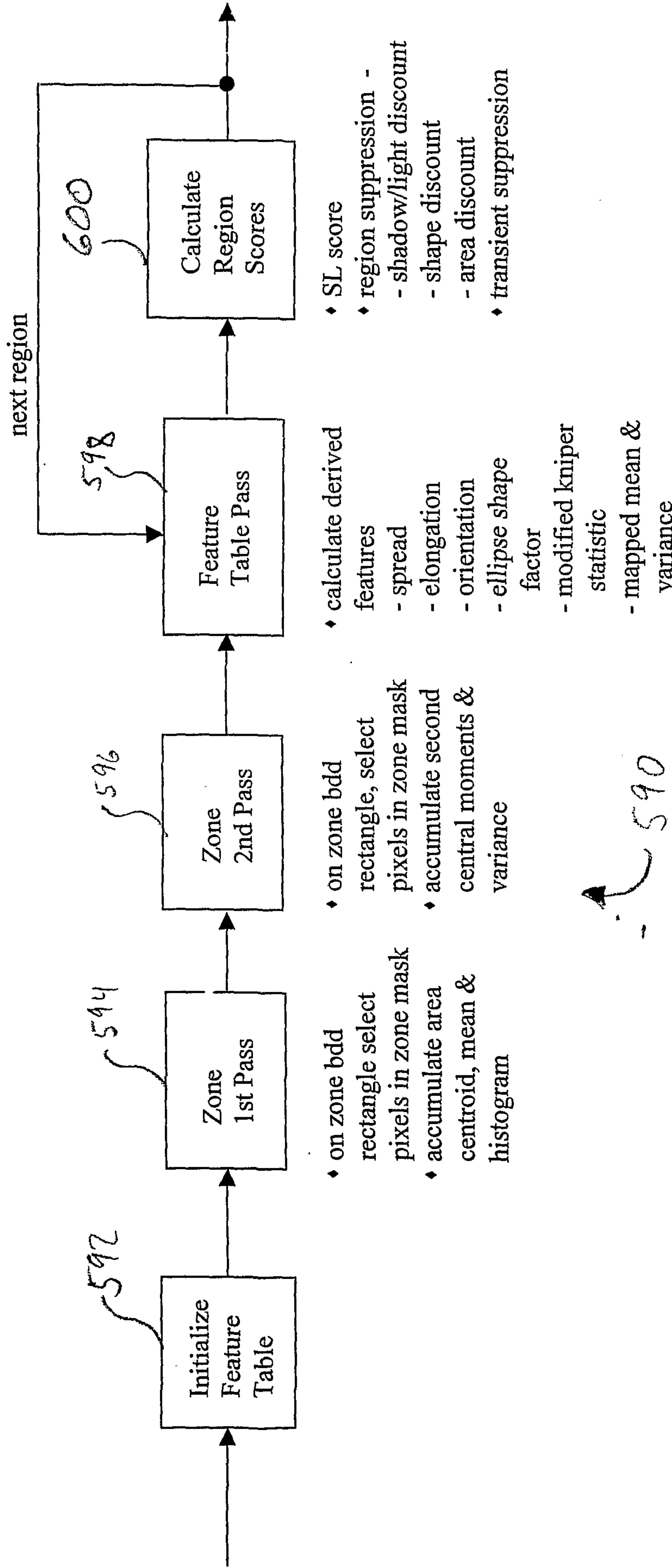
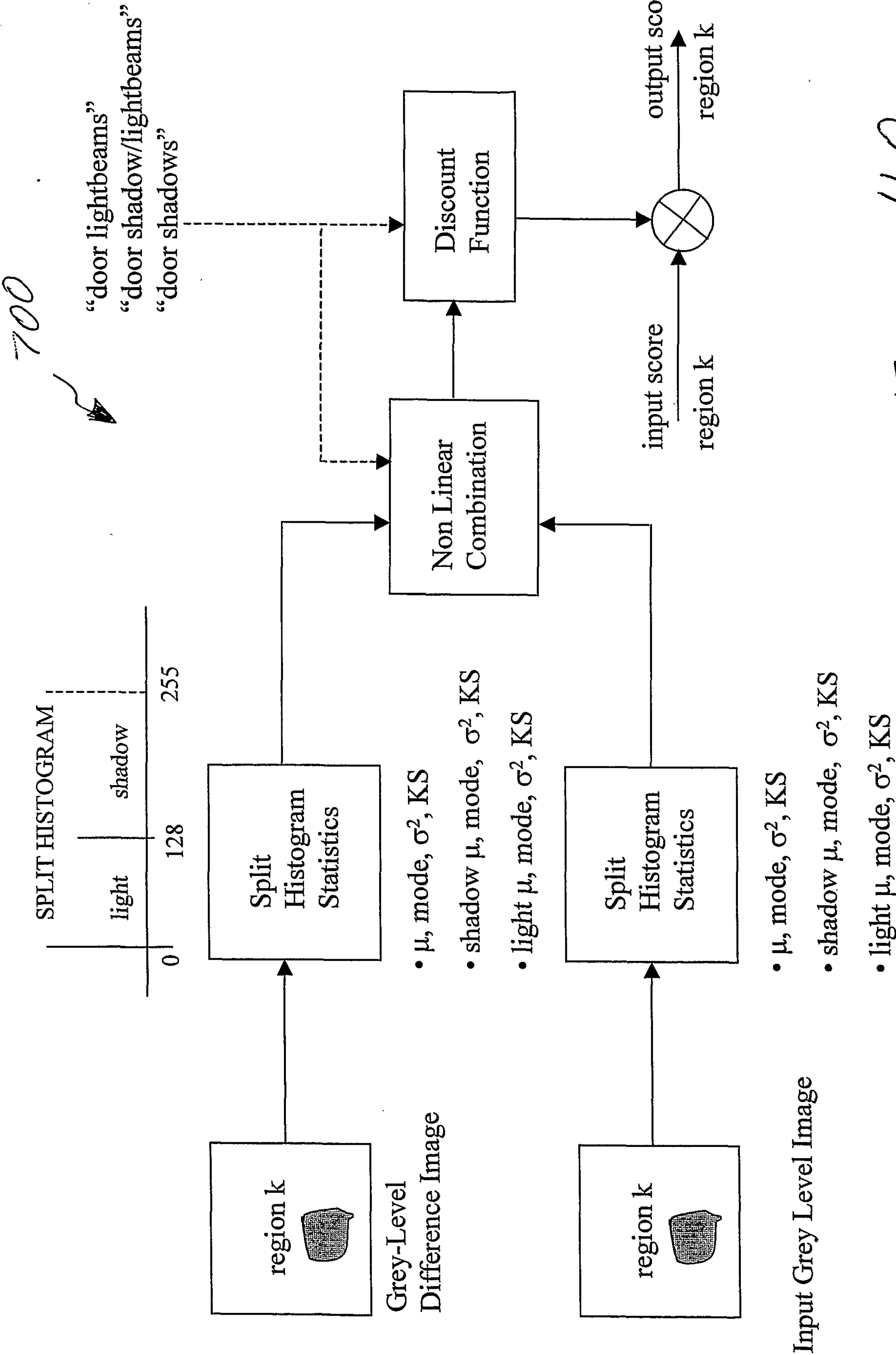


Figure 39

Split Histogram Grey Level Analysis



System Data Processing IV:

Calculate Frame Features

750

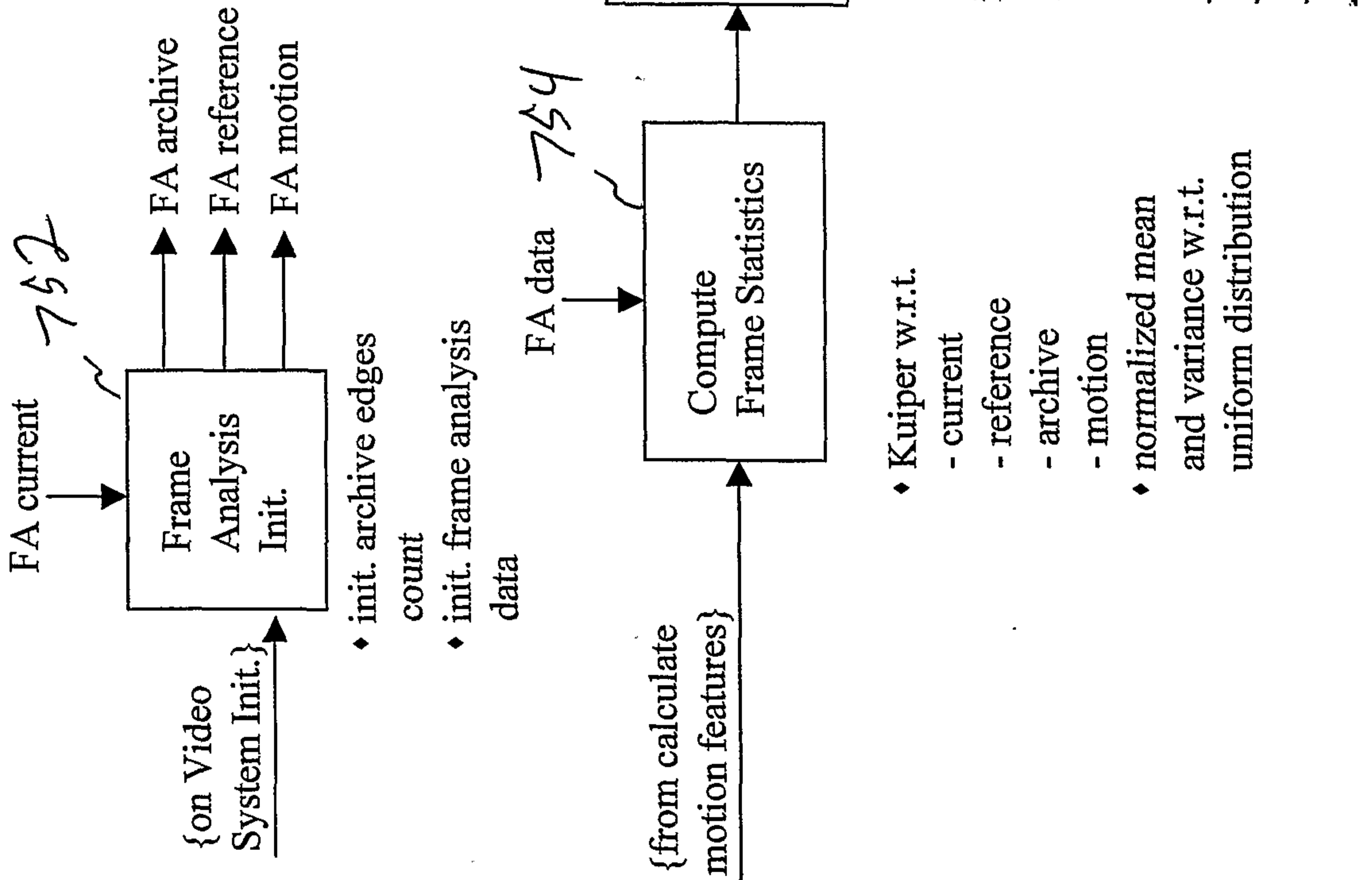


Figure 41

System Information Processing I:

Detection & Control

216

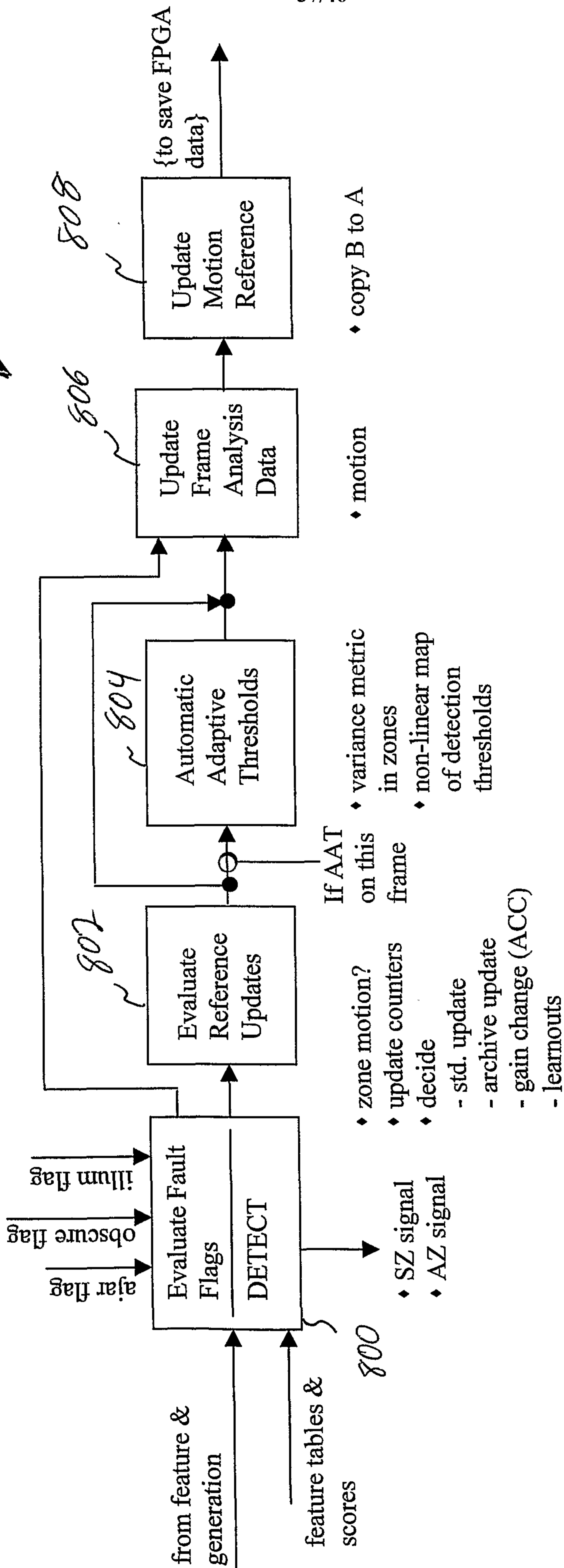


Figure 42

System Information Processing II:

Evaluate Reference Updates

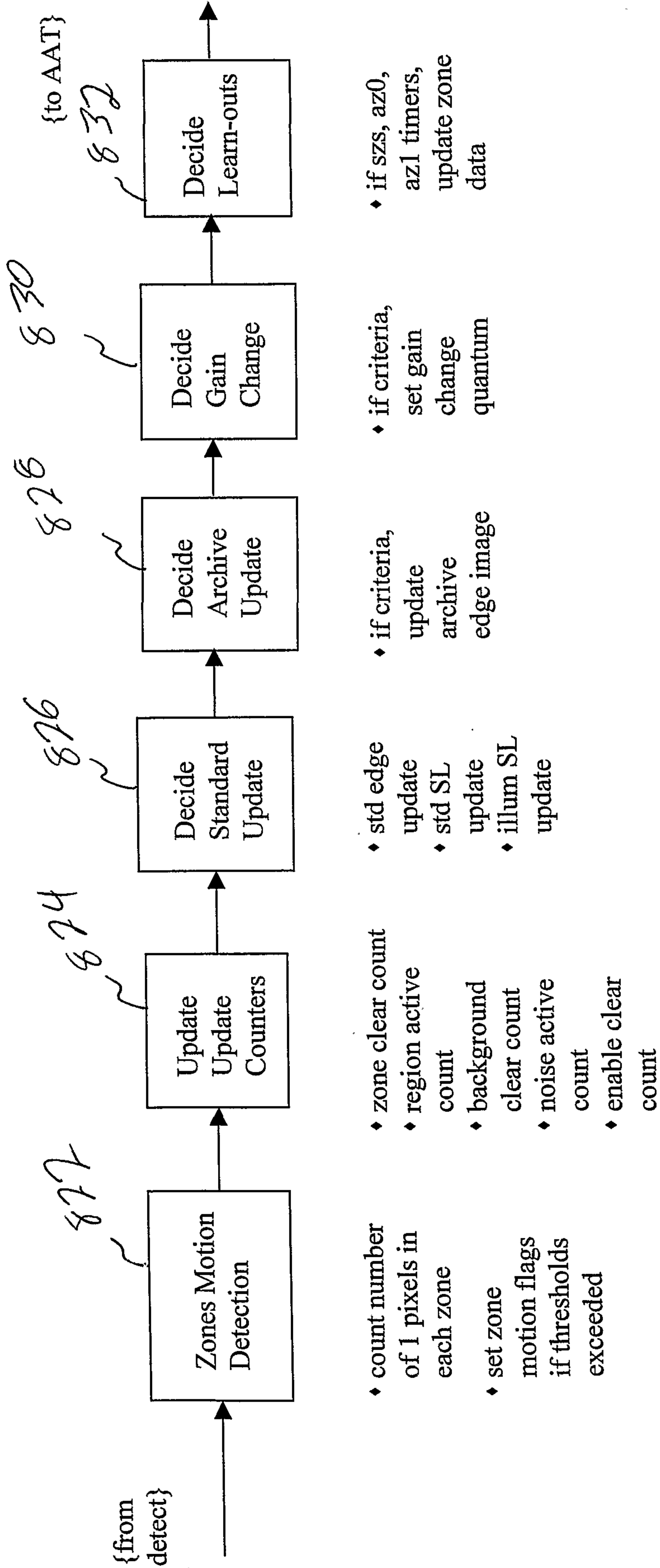


Figure 43

System Information Processing III:

Automatic Adaptive Thresholds

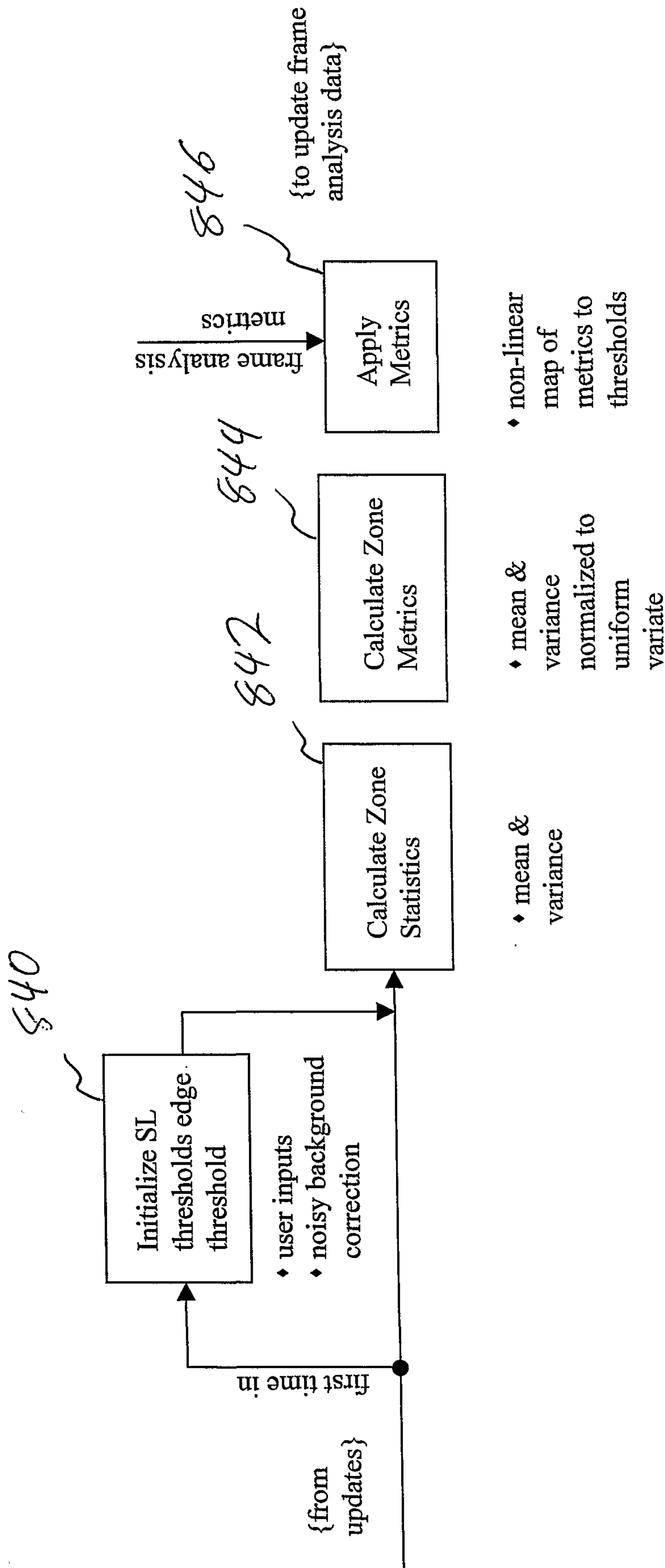


Figure 44

System Information Processing IVa Detection

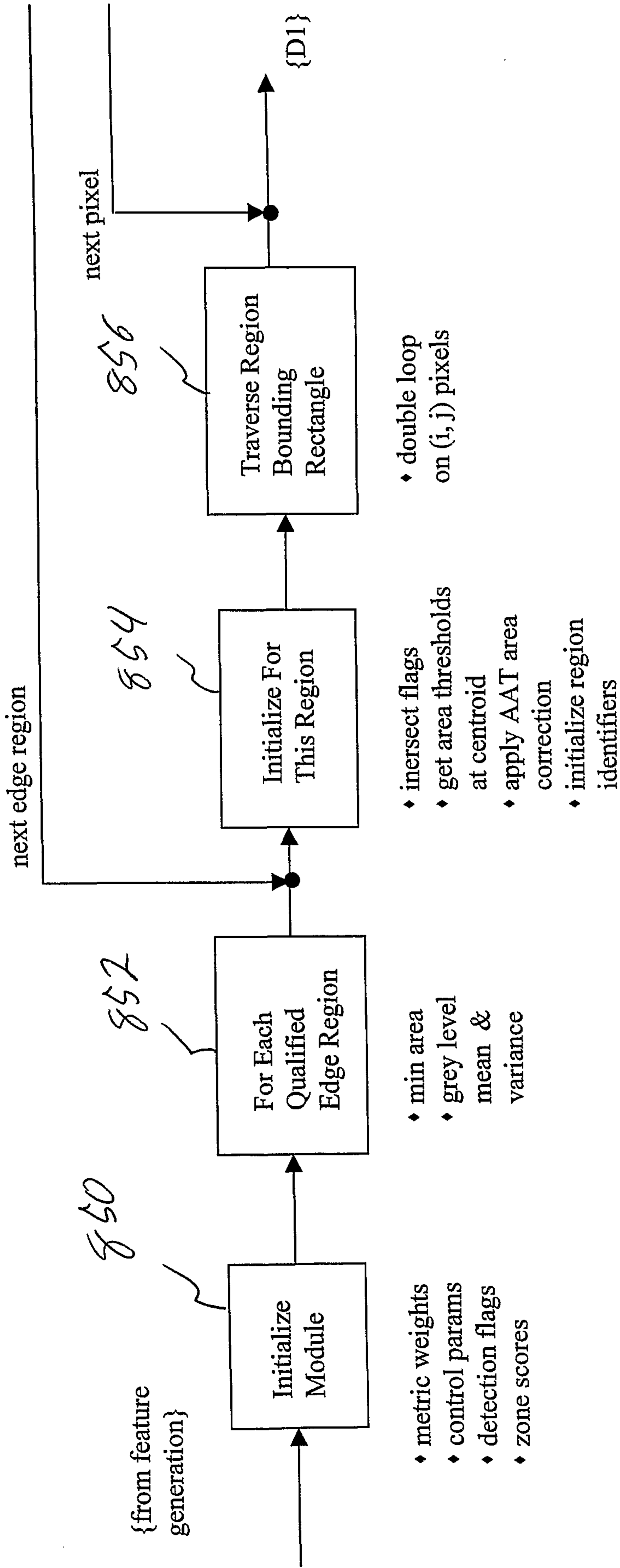


Figure 45

System Information Processing IVb Detection

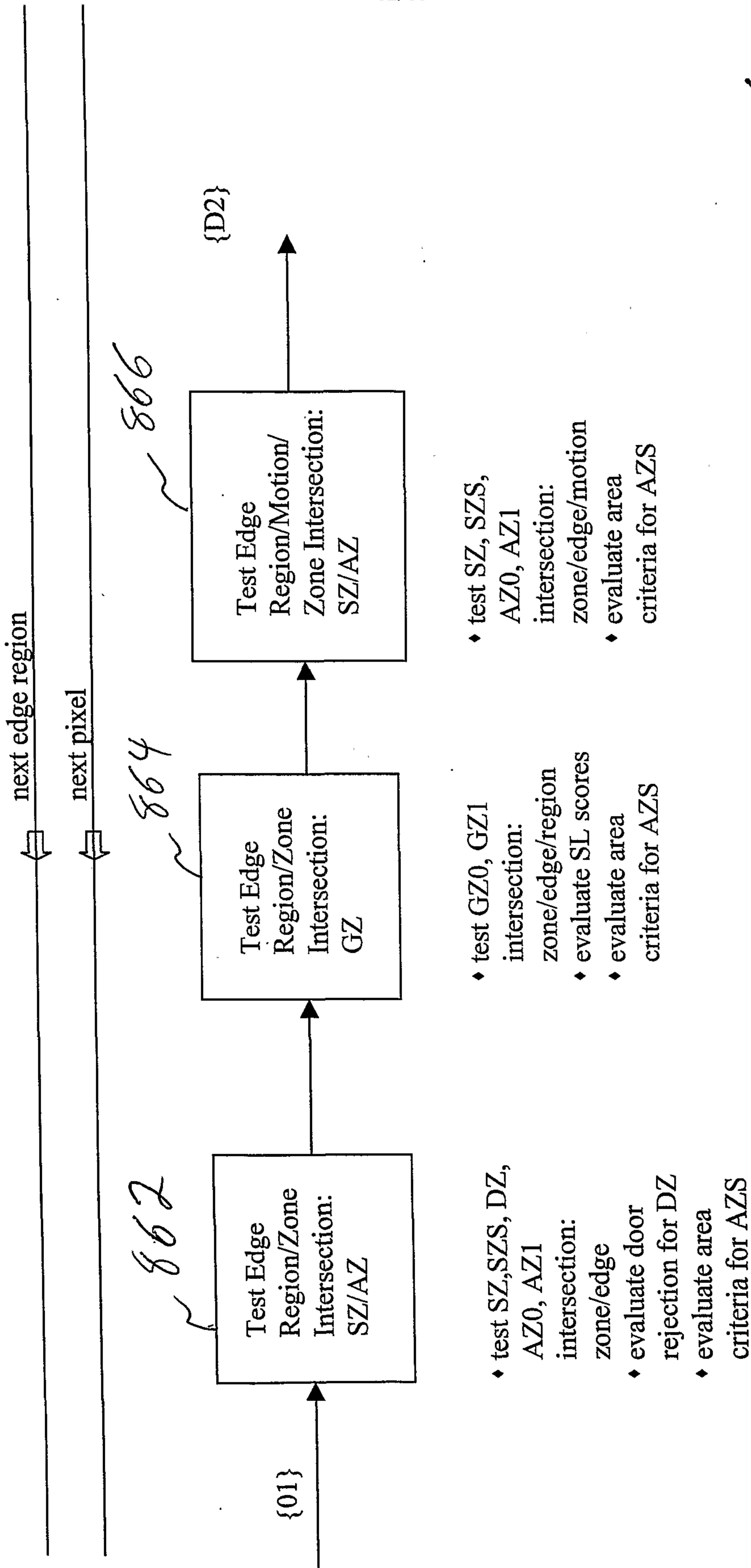


Figure 46

System Information Processing IVc Detection

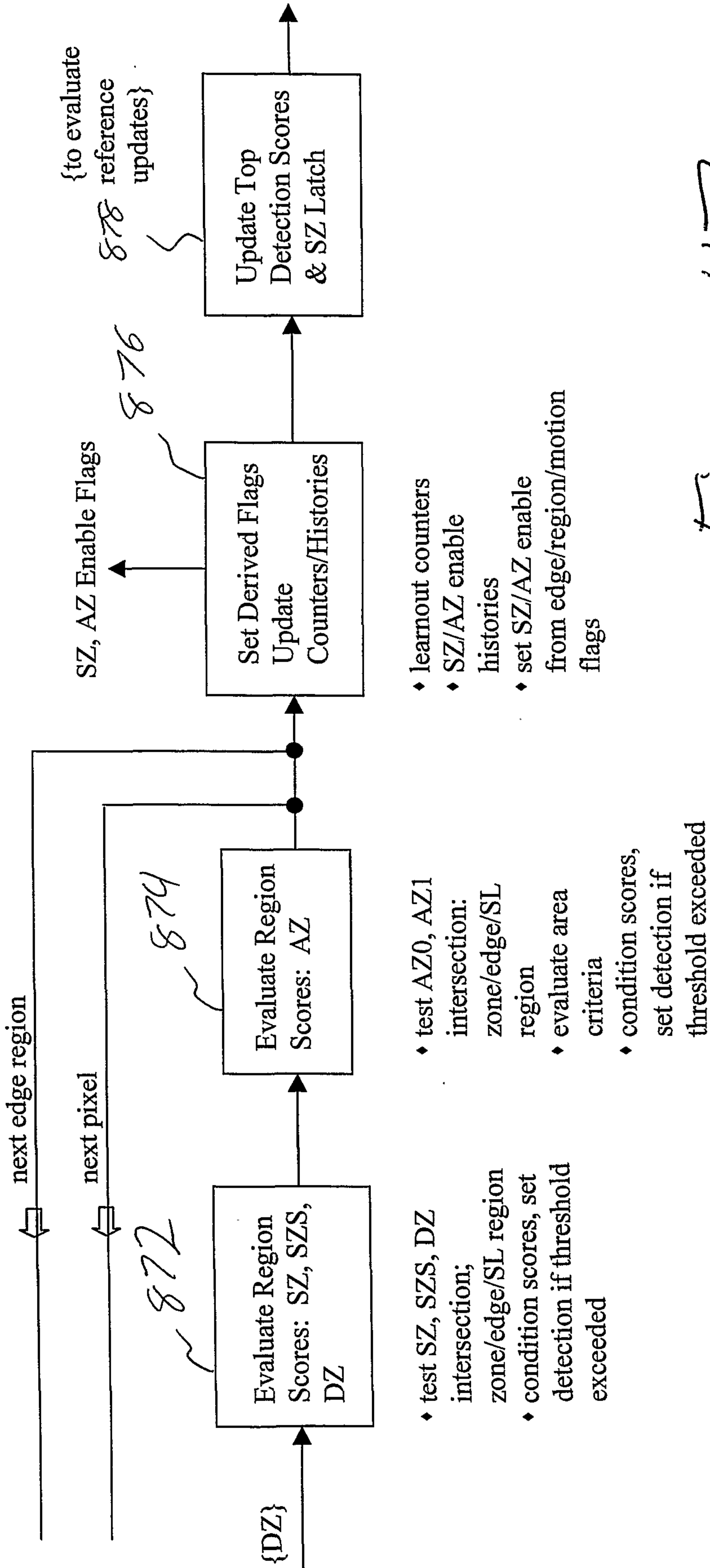


Figure 47

Image Operator Definitions

(-) Positive difference (of two grey-scale (8-bit) images)

$$P_{ij} - Q_{ij} = P_{ij} - Q_{ij} \text{ if } P_{ij} > Q_{ij} \\ = 0, \text{ otherwise.}$$

+ pixel-wise (bit-wise) (inclusive) logical OR (of two binary images)

T threshold (an 8-bit image)

If $P_{ij} > \text{THRES}$ then

$$P_{ij} = 1$$

Else

$$P_{ij} = 0$$

IT Invert/threshold

$$P_{ij} = 255 - P_{ij}$$

If $P_{ij} > \text{THRES}$ then

$$P_{ij} = 1$$

Else

$$P_{ij} = 0$$

E binary erosion, 3x3

3x3 kernel K_e

1	1	1
1	C	1
1	1	1

if center = 0, do nothing, next kernel position

if center = 1 {black} then test to see if should change to white...

if sum of 8 neighbors ≤ 4 , set center = 0

set image boundary to 0

D binary dilation, 3x3

3x3 kernel K_d

1	1	1
1	C	1
1	1	1

if center = 1, do nothing, next kernel position

if center = 0 {white} then test to see if should change to black...

if sum of 8 neighbors ≥ 4 , set center = 1

Figure 48

set image boundary to 0

S Sobel edge operator, 3x3, (sum absolute values, amplitude only)

Convolve input image with standard Sobel 3x3 (horizontal & vertical) kernels Ksh, Ksv producing inner products h & v respectively

Ksh

1	2	1
0	0	0
-1	-2	-1

Ksv

-1	0	1
-2	0	2
-1	0	1

$$\text{Output}_{ij} = \text{abs}(h) + \text{abs}(v)$$

set image boundary to 0

AD absolute deviation, 3x3

3x3 kernel Kad

1	1	1
1	x	1
1	1	1

Calculate Mk & Sk on the kernel (8 elements)

$$M_k = \text{right shift 3 bits (sum } P_{ij} \text{ on Kad)}$$

$$S_k = \text{right shift 3 bits (sum abs}(P_{ij} - M_k) \text{ on Kad)}$$

$$\text{Output}_{ij} = S_k$$

set image boundary to 1

A0 region labeling, first pass

2x2 kernel Ka0 over binary image per attached C-code segment

Figure 49

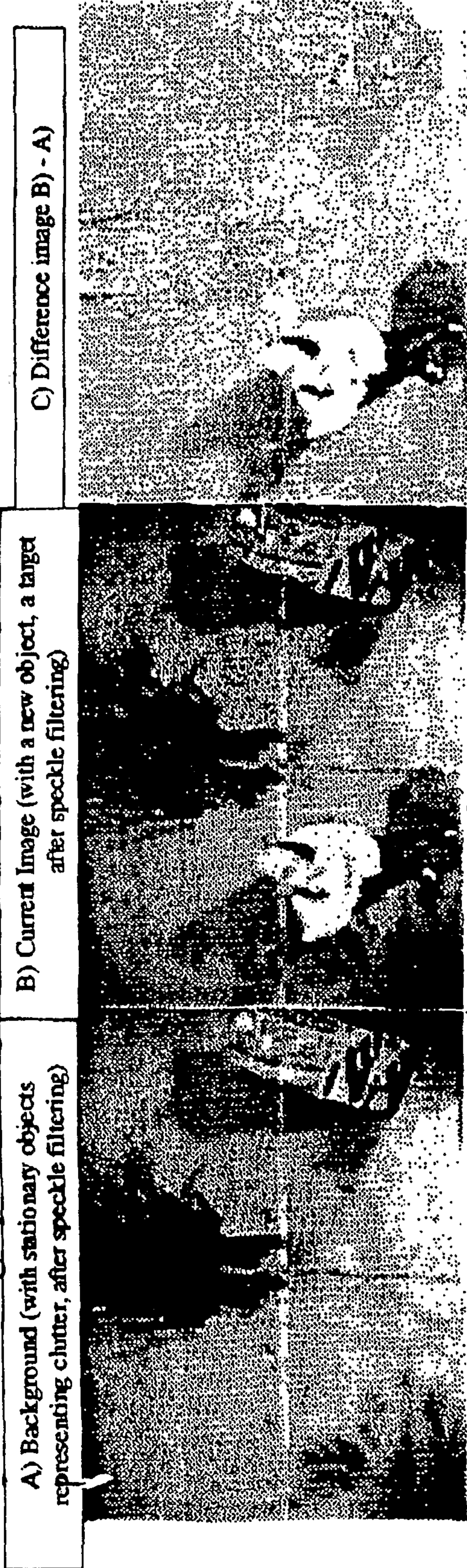


Figure 50

Figure 51

Figure 52

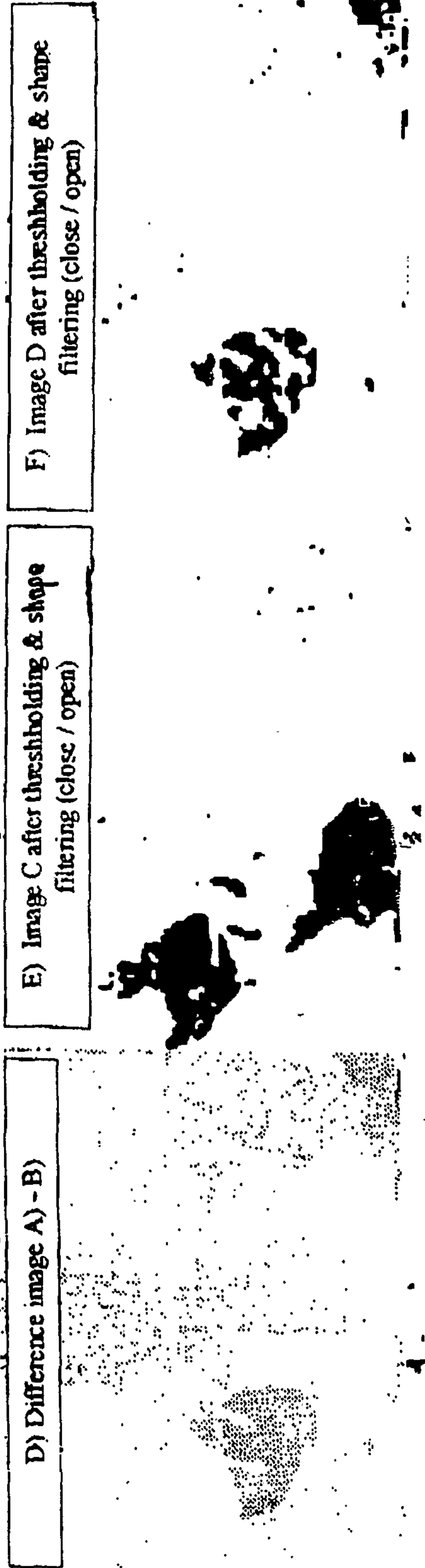


Figure 53

Figure 54

Figure 55

G) Logical OR combination of images E & F



Figure 56

H) Same as G, but with connected region labeled for classification

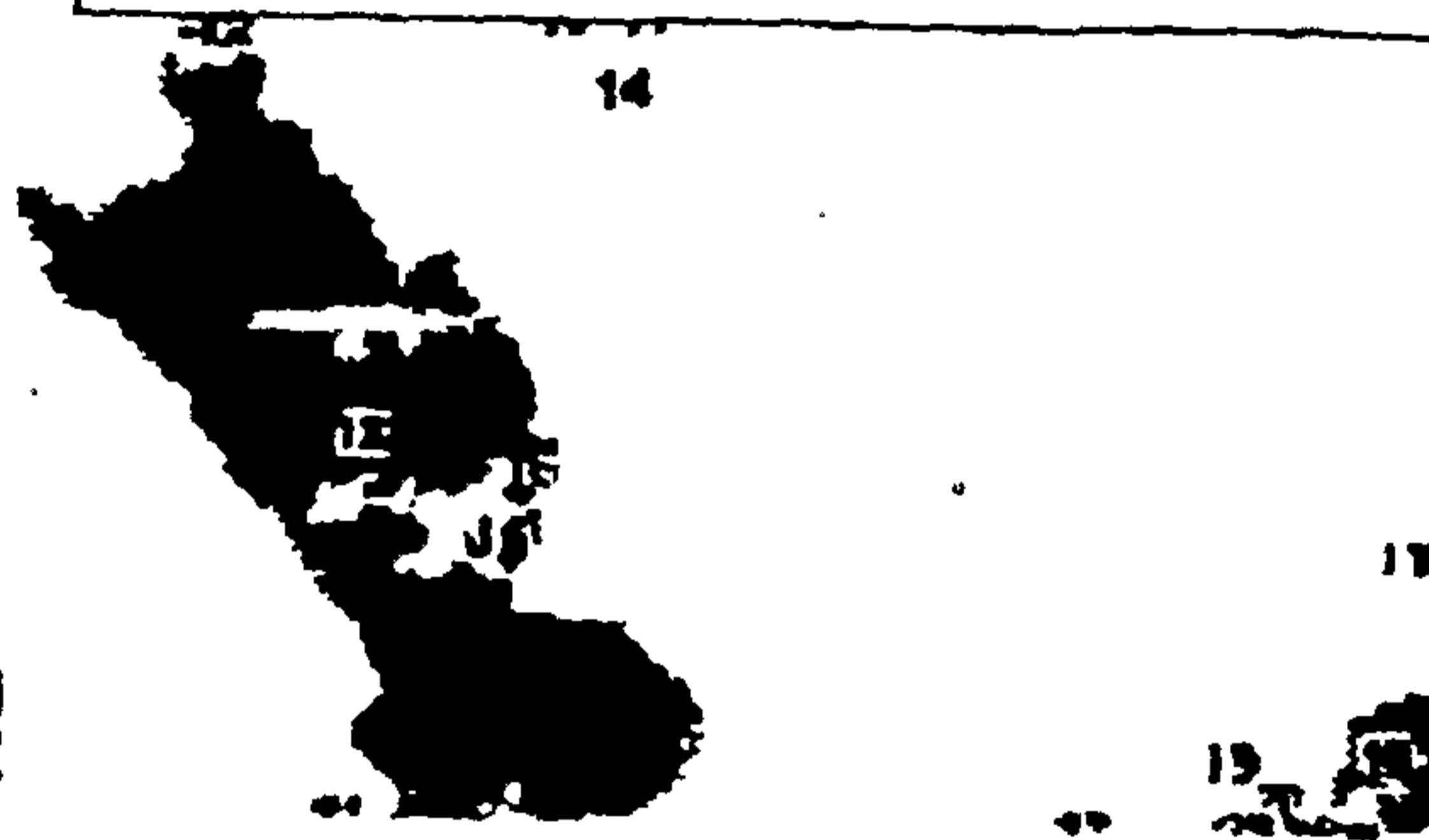


Figure 57

Overview

10
↙

12

