



- (51) International Patent Classification:
A01C 7/10 (2006.01)
- (21) International Application Number:
PCT/US2012/030306
- (22) International Filing Date:
23 March 2012 (23.03.2012)
- (25) Filing Language: English
- (26) Publication Language: English
- (30) Priority Data:
13/071,972 25 March 2011 (25.03.2011) US
- (71) Applicant (for all designated States except US): **DEERE & COMPANY** [US/US]; One John Deere Place, Moline, IL 61265 (US).
- (72) Inventors; and
- (75) Inventors/Applicants (for US only): **GARNER, Elijah** [US/US]; 2789 Pleasant Ridge Court, Bettendorf, IA 52722 (US). **FRIESTAD, Michael, E.** [US/US]; 9 Watch Hill Road, Rock Island, IL 61201 (US). **MARIMAN, Nathan, A.** [US/US]; 1028 Kadel Drive, Geneseo, IL 61254 (US). **ZUMDOME, Lee, E.** [US/US]; 3328 S. Hampton Drive, Bettendorf, IA 52722 (US).
- (74) Agent: **GRAHAM, Charles, T.**; Deere & Company, Global Intellectual Property Services, One John Deere Place, Moline, IL 61265 (US).

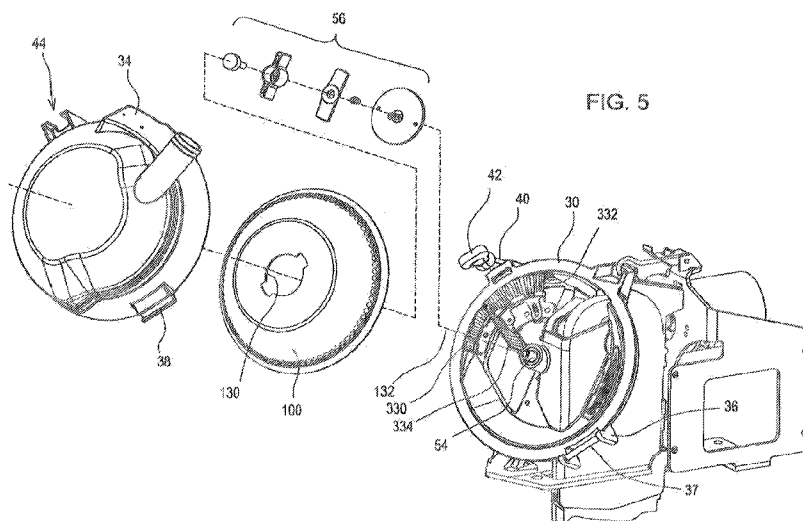
(81) Designated States (unless otherwise indicated, for every kind of national protection available): AE, AG, AL, AM, AO, AT, AU, AZ, BA, BB, BG, BH, BR, BW, BY, BZ, CA, CH, CL, CN, CO, CR, CU, CZ, DE, DK, DM, DO, DZ, EC, EE, EG, ES, FI, GB, GD, GE, GH, GM, GT, HN, HR, HU, ID, IL, IN, IS, JP, KE, KG, KM, KN, KP, KR, KZ, LA, LC, LK, LR, LS, LT, LU, LY, MA, MD, ME, MG, MK, MN, MW, MX, MY, MZ, NA, NG, NI, NO, NZ, OM, PE, PG, PH, PL, PT, QA, RO, RS, RU, RW, SC, SD, SE, SG, SK, SL, SM, ST, SV, SY, TH, TJ, TM, TN, TR, TT, TZ, UA, UG, US, UZ, VC, VN, ZA, ZM, ZW.

(84) Designated States (unless otherwise indicated, for every kind of regional protection available): ARIPO (BW, GH, GM, KE, LR, LS, MW, MZ, NA, RW, SD, SL, SZ, TZ, UG, ZM, ZW), Eurasian (AM, AZ, BY, KG, KZ, MD, RU, TJ, TM), European (AL, AT, BE, BG, CH, CY, CZ, DE, DK, EE, ES, FI, FR, GB, GR, HR, HU, IE, IS, IT, LT, LU, LV, MC, MK, MT, NL, NO, PL, PT, RO, RS, SE, SI, SK, SM, TR), OAPI (BF, BJ, CF, CG, CI, CM, GA, GN, GQ, GW, ML, MR, NE, SN, TD, TG).

Published:

— without international search report and to be republished upon receipt of that report (Rule 48.2(g))

(54) Title: AIR PRESSURE DIFFERENTIAL SEED METER



(57) Abstract: A seed meter (24) for a seeding machine has a housing (30) and a seed metering member (100) rotationally mounted to the housing. The metering member has a sidewall (104) (108) with a radially inner surfaced (08) and a radially outer surface (110) with the inner surface of the sidewall having an outwardly flared rim portion (112) extending both radially outward and axially to an outer edge. The rim portion has a plurality of apertures (114) extending through the sidewall. The metering member is oriented at an angle to the vertical such that an upper portion of the metering member extends beyond a tower portion of the metering member. This orientation allows a seed delivery system to extend into the interior of the metering member and cooperate with the overhanging inside thereof to remove seed therefrom.



AIR PRESSURE DIFFERENTIAL SEED METER

Field

The following relates to an air pressure differential seed meter.

5

Background

Various types of seed meters have been developed that use an air pressure differential, either vacuum or positive pressure, to adhere seed to a metering member. The metering member takes seed from a seed pool and sequentially discharges single seeds. (In some cases, multiple seeds may be discharged at a time.) One common type of seed meter is shown in US patent 5,170,909. There, a seed disk 48 contained in a housing is used to meter the seed. The seed pool is positioned on one side of the disk at a lower portion thereof while vacuum is applied to the opposite side of the disk. As the disk is rotated, individual seeds from the seed pool are adhered by the vacuum to apertures that extend through the disk. When the seed reaches a desired release position, the vacuum is terminated, allowing the seed to drop from the disk, through a seed tube to a furrow formed in the soil below.

Flexible belts have also been used in an air pressure differential seed meter. One example is shown in US patent application 2010/0192818 A1. There, a flexible belt having an array of apertures therein is movable along a path in a housing. A seed pool is formed on one side of the belt. Vacuum applied on the opposite side of the belt along a portion of the belt path adheres seed to the apertures, allowing the belt to move the seed to a release position where the vacuum is cut-off. The seed then falls or is removed from the belt.

When seed falls by gravity from the meter through the seed tube, it can be difficult to maintain accurate and consistent seed spacing at planting speeds greater than about 8 kph (5 mph). To maintain spacing accuracy, a seed delivery system that controls the seed as the seed moves from the seed meter to the soil is desirable. One such delivery system is shown in US patent application 2010/0192819-A1. With such a delivery system, the hand-off of seed from the disk of patent 5,170,909 to the delivery system is difficult to achieve in a consistent manner. While the hand-off of seed may be improved with the use of a belt meter, there is still a need for a more consistent and reliable hand-off of seed from the seed meter to the delivery system. Improvement in the seed meter can improve the hand-off of

seed to the delivery system.

Summary

5 In one form, a seed meter for a seeding machine has a housing and a seed metering member rotationally mounted to the housing. The metering member has a sidewall with a radially inner surface and a radially outer surface with the inner surface of the sidewall having an outwardly flared rim portion extending both radially outward and axially to an outer edge. The rim portion has a plurality of apertures extending through the sidewall.

10 In another form, a seed meter for a seeding machine has a metering member with a sidewall with an annular array of apertures. The metering member is oriented with the apertures lying in a plane that is inclined relative to vertical so that a top portion of the metering member extends beyond a bottom portion of the metering member.

15 In yet another form, a seed meter for a seeding machine has a housing and a seed metering member rotationally mounted to the housing. The metering member has a rigid sidewall with a radially inner surface and a radially outer surface. The sidewall has a rim portion extending both radially outwardly and axially to an outer edge with the rim portion having a plurality of apertures extending through the sidewall. The inner surface of the sidewall at a lower end of the metering member and the housing define a space for a seed pool with the inner surface of the sidewall at the lower end oriented at an angle of between 5° and 75° to a vertical vector pointing upward from the outer edge of the metering member.

25

Brief Description of the Drawings

Fig. 1 is a perspective view of a common agricultural planter;

Fig. 2 is a side perspective view of a planting unit frame, seed meter and seed delivery system;

30 Fig. 3 is an enlarged perspective view of the seed meter and delivery system drives;

Fig. 4 is a perspective view of the seed meter with the cover open illustrating the metering member;

Fig. 5 is an exploded perspective view of the seed meter of Fig. 4;

Fig. 6 is a perspective view of the metering member of Fig. 4;

5 Fig. 7 is side cross-section of the metering member of Fig. 6 illustrating the orientation of the metering member installed in a seed meter mounted to a planting unit;

Fig. 8 is a fragmentary cross-section of an alternative metering member;

Fig. 9 is a elevational view of the inside of the metering member of Fig. 6;

10 Fig. 10 is a side sectional view of the metering member and seed delivery system;

Fig. 11 is a sectional view of the hand-off of seed from the metering member to the delivery system including the delivery system brush belt;

Fig. 12 is a sectional view like Fig. 11 without the delivery system brush belt;

15 Fig. 13 is a schematic illustration the direction of entry of seed into the brush belt;

Fig. 14 is a schematic illustration of the direction of travel of the seed on the metering member and in the delivery system at the release position of seed from the metering member;

20 Fig. 15 is side sectional view of the metering member and delivery system at the hand-off without the brush belt;

Fig. 16 is a perspective view of the inner side of the seed meter housing;

Fig. 17 is a side sectional view of the metering member and meter housing illustrating the seed pool formed by the metering member and housing;

25 Fig. 18 is side sectional view like Fig. 17 illustrating a prior art seed meter with a disk metering member;

Fig. 19 is a perspective view of the lower end of the delivery system; and

Figs. 20 and 21 are perspective views of an alternative metering member.

Detailed Description

An agricultural seeding machine 10 is shown in Fig. 1 as a row crop planter. Seeding machine 10 has a central frame 12 on which are mounted a plurality of individual planting units 14. The seeding machine 10 has a fore-aft direction shown by the arrow 15 and a transverse direction shown by the arrow 17. Each planting unit 14 is coupled to the central frame 12 by a parallel linkage 16 so that the individual planting units 14 may move up and down to a limited degree relative to the frame 12. Large storage tanks 13 hold seed that is delivered pneumatically to a mini-hopper on each planting unit. Each planting unit 14 has a frame member 18 (Fig. 2) to which the components of the planting unit are mounted. The frame member 18 includes a pair of upstanding arms 20 at the forward end of thereof. The arms 20 are coupled to the rearward ends of the parallel linkage 16. Furrow opening disks (not shown) are attached to shaft 22 in a known manner to form an open furrow in the soil beneath the seeding machine into which seed is deposited. Closing and packing wheels (not shown) are also mounted to the frame member 18 in a known manner to close the furrow over the deposited seed and to firm the soil in the closed furrow. A seed meter 24 and a seed delivery system 400 are also attached to the frame member 18 of the planting unit.

The meter 24 includes a housing 30 (Fig. 3) and a cover 34. The housing 30 and the cover 34 are coupled to one another by complementary hinge features 36 and 38 (see Fig. 5) on the housing and cover respectively. Hinge feature 36 includes a pivot pin 37 coupled to the housing while the feature 38 is an integrally formed hook that wraps around the pivot pin allowing the cover 34 to pivot about the axis of the pin 37. An elastomeric latch member 40 is coupled to the housing 30 and has an enlarged portion 42 that is seated into a socket 44 formed in the cover to hold the cover in a closed position on the housing 30.

The housing 30 is formed with a second hinge element in the form of a pivot pin 46 (Fig. 3). Pivot pin 46 is seated into a hook member 48 (Fig. 4) of the mounting frame 50 attached to the frame member 18. This allows the seed meter 24 to pivot relative to the planting unit frame member 18 about an axis 52. A drive spindle 54 is carried by the housing 30 and has a drive hub 56 (Fig. 5) on the end thereof. The

spindle 54 couples to the output shaft 58 of electric motor 60 to drive the seed meter when in the assembled position shown in Fig. 3. The seed meter 24 is coupled to the delivery system by a latch mechanism 68 including a metal rod 70 having a hook at one end seated into an aperture in the meter housing 30 when latched. The delivery system further has a mounting hook 72, partially shown in Fig.2, which attaches to the planting unit frame member 18 to support the delivery system.

The delivery system 400 is driven by an electric motor 80, also carried by the mounting frame 50. The output shaft of motor 80 is connected to the delivery system through a right-angle drive 82. While electric motors have been shown to drive both the seed meter and the seed delivery system, it will be appreciated by those skilled in the art that other types of motors, such as hydraulic, pneumatic, etc. can be used as well as various types of mechanical drive systems.

With reference to Fig. 6, a metering member 100 of the seed meter is shown in greater detail. This metering member 100 is shown as a single piece, concave bowl shaped body. The bowl shaped body has a base portion 102 from which extends a sidewall 104. Sidewall 104 terminates in an outer edge 106. The sidewall has a radially inner surface 108 and a radially outer surface 110. Adjacent the outer edge 106, the sidewall has a rim portion 112 shown by the bracket in Fig. 6. The rim portion 112 extends radially outwardly and axially toward the outer edge 106. In the rim portion 112, there is an annular array of apertures 114 that extend through the sidewall between the inner and outer surfaces 108 and 110. The metering member 100 is mounted in the meter housing for rotation in the direction of the arrow 118 in Fig. 6. In operation, as the metering member rotates, individual seeds from a seed pool 120 located at a bottom portion of the metering member are adhered to the apertures 114 on the inner surface 108 of the sidewall and sequentially carried upward to a release position 164 at an upper portion of the metering member. Thus, the inner surface is also known as the seed side of the metering member. A series of raised features or projections, such as paddles 116, extend from the inner surface 108 of the sidewall 104 typically with one paddle located behind each aperture 114 in the direction of rotation. Each paddle forms a confronting surface 124 behind the associated aperture in the direction of rotation to push the seed adhered to the

aperture into the delivery system as described below. As explained above, it is the rim portion 112 of the metering member that performs the function of drawing individual seeds from the seed pool and sequentially moving seed to the release position to supply seed individually to the seed delivery system 400.

5 The base portion 102 of the metering member contains a central drive aperture 130 (Fig. 5) used to mount the metering member on a rotational drive hub 56 for rotation about the axis 132 in a manner similar to mounting a flat seed disk in a seed meter as is well known. When mounted to the housing 30, the metering member 100 cooperates with the housing to form a trough to hold the seed pool 120
10 as described more fully below. The axis 132 is inclined to both a horizontal plane as well as to a vertical plane extending fore and aft of the seeding machine and a vertical plane extending transversely to the seeding machine.

With reference to Fig. 7, the metering member 100 is shown in a sectional view. The base portion 102 is a generally planar while the rim portion 112 of the inner surface of the sidewall 104 is outwardly flared, that is, extending both radially
15 outward and axially. As shown in Fig. 7, the rim portion is frusto-conical. Alternatively, as shown in Fig. 8 in connection with a metering member sidewall 104', the inner surface of the sidewall rim portion 112 may be frusto-spherical in shape. Furthermore, while the rim portion 112 has been shown as being outwardly flared,
20 the rim portion could be generally cylindrical without any outward flair, that is, extending only axially.

The metering member 100 can be formed as one piece or constructed of multiple pieces. The metering member can be most easily molded of plastic such as polycarbonate, nylon, polypropylene or urethane. However, other plastics can be
25 used as well as other materials such as metal, etc. The metering member 100 is sufficiently rigid to be self-sustaining in shape without additional supporting structure. This is in contrast to the flexible belt metering member shown in US patent 2,960,258 where it be belt member is preferably of a flexible elastomeric material and is supported within a support ring. Being self-sustaining in shape, the metering
30 member does not need any supporting structure to hold a shape. As a self-sustaining, the metering member may be rigid or the metering member may be

flexible to change shape when acted upon in a manner similar to the flexible seed disk of US patent No. 7,661,377.

As previously mentioned, the metering member 100 can be mounted to a drive hub through the central drive aperture 130 in the base portion 102. Mounting
5 through the central drive aperture 130 provides both mounting support of the metering member as well as the rotational drive of the metering member.

Alternatively, support for the metering member can be provided on the outer surface of the sidewall. A groove may be formed in the outer surface of the sidewall to receive rollers that support the metering member. If the groove is also formed with
10 drive teeth, one of the rollers could be driven by a motor to rotate the metering member. With such alternative arrangements possible, it is not necessary that the metering member have a base portion. The function of metering seed is performed by the sidewall and thus, the sidewall is the only required portion of the metering member.

As shown in Fig. 7, the metering member 100, when mounted in the meter housing, is oriented at an incline to the vertical as shown. In this orientation, the apertures 114 lie in a plane 150 inclined at an angle α relative to vertical. In this orientation, an upper portion 148 of the metering member overhangs or extends beyond a lower portion 154. As described below, this allows access to the upper
20 portion 148 of the metering member for the mechanical seed delivery system 400. As shown, the angle α is approximately 24°. However, any angle will suffice as long as the upper portion 148 extends beyond the lower portion sufficiently for access for the seed delivery system from below the metering member at the seed release position.

The seed pool 120 is formed at the bottom of the metering member 100 as shown in Fig. 9. Vacuum is applied to the outer surface 110, causing individual seeds to be adhered to the apertures 114 as the apertures travel through the seed pool. As the metering member rotates as shown by the arrow 118, seed is moved upward to a release position 164 at the upper portion 148 of the metering member.
30 The release position is slightly past the top or 12 O'clock position on the circular path of travel of the seed such that the seed is moving somewhat downward at the

release position. This facilitates the seed's entry into the delivery system as more fully described below. Also, by being past the top point of the path, the delivery system is off center relative to the metering member providing clearance between the delivery system and the seed meter drive. At the release position 164, the inner surface of the rim portion of the metering member is facing downward such that seed is adhered beneath the metering member or is hanging from the metering member. See Fig. 10. The seed delivery system 400 is also positioned beneath the upper portion of the metering member at the release position 164 to take the seed from the metering member as shown in Fig. 10.

Delivery system 400 includes a housing 402 having a left sidewall 404 (see Fig. 19) and a right sidewall 406 (see Fig. 3). The terms left and right are used in relationship to the direction of travel of the seeding machine shown by the arrow 408. Connecting the left and right sidewalls to one another is an edge wall 410. An upper opening 416 is formed in the edge wall and sidewalls to allow seed to enter into the housing 402. A lower opening 418 is provided at the lower end forming a discharge location 413 for the seed. A pair of pulleys 420 and 422 are mounted inside the housing 402. The pulleys support a belt 424 for rotation within the housing. One of the two pulleys is a drive pulley while the other pulley is an idler pulley. The belt has a flexible base member 426 to engage the pulleys. Elongated bristles 428 extend from the base member 426. The bristles are joined to the base member at proximal, or radially inner, ends of the bristles. Distal, or radially outer, ends 430 of the bristles touch or are close to touching the inner surface of the housing edge wall 410.

As shown at the top of Fig. 10, a seed 152 is at the release position on the metering member 100 and has just been inserted into the bristles 428 of the delivery system. At the release position, the rim portion 112 of the metering member sidewall 104 is generally tangent to the stationary inner surface 412 across which the brush bristles 428 sweep. The surface 412 is on a latch portion 66 of the housing 30. The surface 412 is a continuation of the inner surface 414 of the delivery system housing 402. Once the seed is captured in the delivery system, the seed moves in the direction of the belt, shown by the arrow 417. The direction of travel of the seed immediately upon capture by the delivery system 400 is shown by the vector 438.

Prior to release of the seed from the metering member, the seed is moving in the direction of vector 160 which is slightly downward into the bristles 428. With reference to Fig. 13, the vector 160 of the seed direction is at an angle 161 of about 60° to the length of the bristles 428 shown by the arrow 176. As shown in Fig. 11, the brush belt is positioned so that seed enters the bristles at the corner of the brush belt. The brush can be positioned so that the seed enters the brush through the distal ends of the bristles or through the side of the bristles.

The relationship between the seed direction vector 160 on the metering member and the seed direction vector 438 when the seed is first in the brush belt is shown in Fig. 14 illustrating the two vectors in the plane containing both vectors at the release position 164. The angle 163 between the vectors is at least 35° and preferably between 50° and 80°. This shows the cross-feed of the seed into the bristles, meaning that the seed, prior to the release position is moving substantially in a different direction than the brush bristles are moving. This is in contrast to the arrangement shown in Fig. 3 of the previously mentioned US patent application 2010/0192819-A1 where the seed on the metering disk at the release is moving in substantially the same direction as the brush bristles. This is also the relationship by which the bristles sweep over the inner surface of the sidewall relative to the travel direction of seed.

Figs. 11 and 12 show a blocking member 162 carried by the meter housing 30. Blocking member 162 is positioned adjacent a path of travel of seed 152 leading to the release position 164 and prevents movement of seed from the metering member prior to reaching the release position. Once the seed has passed the end 174 of the blocking member 162, the seed is free to move with the brush bristles in the direction of the vector 438 in Fig. 10. The blocking member ensures that the seed is consistently feed into the brush belt in the center of the belt, widthwise, rather than allowing the seed to enter the belt at random positions across the belt width. As shown in Fig. 15, the blocking member is located beneath the sidewall 104 of the metering member 100 between the paddles 116 and the outer edge 106 of the metering member. The confronting surfaces 124 of the paddles 116 push seed into the brush bristles. The paddles or projections 116 travel further into the brush

bristles, that is deeper into the bristles from their distal ends, as the projections cross the width of the brush as seen in Fig. 11. Once seed is in the brush bristles, the seed is swept over the inner surface of the metering member, from the apertures 114 to the outer edge 106 of the metering member in the direction of the vector 438. The
5 delivery system could be arranged to sweep seed in the opposite direction, that is, away from the outer edge 106 of the metering member.

To further ensure consistent release of seed from the metering member and hand-off to the delivery system, an ejector 166, carried by the cover 34 rides on the outer surface of the metering member rim portion. See Figs. 11, 12 and 15. The
10 ejector 166 is in the form of a star wheel having a number of projections 168. The projections 168 extend into the apertures 114 from the outer surface 110 of the sidewall 104 and force seed out of the apertures 114. The ejector is caused to rotate by rotation of the metering member 100 due to the projections 168 engaging in the apertures 114. The ejector is mounted to the cover 34 via a pivot arm 170 and
15 bracket 171. The ejector 166 is biased against the metering member by a spring 172.

Turning attention once again to Fig. 4, a flexible seal 180 is shown on the inner side of the cover 34. This seal bears against the outer surface 110 of the metering member 100 forming a vacuum chamber within the interior 182 of the seal.
20 A first portion 184 of the seal is spaced radially further out on the metering member than is the second portion 186 of the seal. In the area of the seal first portion 184, vacuum is applied to the apertures 114, causing seed to adhere thereto. There is no vacuum applied to the apertures adjacent and outside of the seal second portion 186. A port 188 in the cover 34 is adapted to connect the interior of the cover to a
25 vacuum source in a known manner for a vacuum seed meter. The seed release position 164 is within the vacuum chamber. Thus, the brush belt and the ejector are working in opposition to the vacuum applied to the apertures 114 to release the seed from the metering member.

With reference to Fig. 16, The inside of the housing 30 is shown. The housing
30 includes a central boss 302 for the drive spindle 54. The housing also includes an opening 304 to receive seed from a mini-hopper, not shown, mounted to the outside

of the housing and surrounding the opening 304. Below the opening 304, the housing wall forms a ramp 306 extending downward toward the lower end 308 of the housing. The ramp cooperates with the inner surface 108 of the metering member to hold the seed pool 120. The housing includes an inward projection 310 forming a cavity 314 (Fig. 17) on the outside of the housing into which the upper end of the delivery system 400 is placed. The projection is open at the upper end, forming a downward looking opening 312 from the interior of the housing to the exterior. This opening 312 allows the brush belt 424 to access the inner surface of the 108 of the metering member and carry seed from the housing.

Fig. 17 illustrates the orientation of the metering member and the cooperation of the housing 30 and metering member 100 to form a trough for the seed pool 120 at the lower end of the metering member. Fig. 17 shows the orientation of the metering member when the seeding machine 10 is on level ground. At the lower end of the metering member, the sidewall 104 is inclined to the vertical such that the inner surface 108 is at an angle d to the vertical vector 126. As illustrated in Fig. 17, the inner surface is approximately 21° from vertical. The orientation of the housing adjacent the metering member, forming the other side of the trough, is not critical. Seed from the seed pool 120 sits on top of the inner surface 108 and a component of the force of gravity is perpendicular to the inner surface 108. When operating on a hillside, if the meter is tilted clockwise or counter-clockwise, as viewed in Fig. 17, the inner surface 108 remains inclined and gravity still has a component perpendicular to the inner surface. This is in contrast to a typical disk seed meter shown in Fig. 18 with a vertically oriented disk 320 cooperating with a housing wall 322 to form a seed pool 324. If this meter is tilted counterclockwise as viewed, seed from the pool will still bear against the disk. However, if the meter is tilted clockwise, seed from the pool will fall away from the disk, allowing for decreased metering performance in terms of seed being picked-up by the disk. Evaluation of the meter has shown improved meter performance on a hillside when the angle d is as small as 5° and as large as 75° . Better performance is achieved when the angle d is between 10° and 50° while the optimum performance is in the range of 20° to 40° . This last range provides considerable tilting of the seed meter on a hillside in any direction before

performance begins to decrease.

At the upper end of the metering member, at the release position 164, the inner surface 108 has an angle f to a downward vertical vector 128 in the range of 50° to 90° with the closer to 90° being the better for hand-off of seed from the metering member to the brush belt. As shown, the angle f is approximately 68°. The different orientations of the inner surface 108 relative to vertical at the seed trough and at the release position is accomplished with a metering member that is rigid. Such variation is not possible with the flat disk metering member shown in Fig. 18.

As described above, seed is adhered to the apertures 114 in the metering member due to the vacuum applied to the outer surface of the metering member creating a pressure differential on opposite sides of the metering member. As an alternative to vacuum on the outer side of the metering member, the pressure differential can be created by a positive pressure between the housing 30 and the metering member 100. Such a system would require seals between the metering member 100 and the housing 30 to create a positive pressure chamber. In a positive pressure arrangement, the cover 34 only serves as a cover for the rotating metering member.

It is possible that more than one seed will be adhered to a given aperture 114. To prevent more than one seed at a time from being transferred to the brush belt, a pair of doubles eliminators or singulating members are attached to the housing 30 along the path of seed from the seed pool to the release position 164. The singulating members are in the form of brushes 330 and 332 (Figs. 5 and 9). Brush 330 has bristles extending substantially axially and brushes seed on the apertures 114 by extending inwardly from the outer edge 106 of the metering member. The bristles of brush 330 are of varying length, to engage the seed at several discrete locations along the length of the brush 330. The brush 332 has bristles extending substantially radially and engaging the inner surface of the metering member sidewall inside of the paddles 116 and extend along the sidewall to the apertures 114. Both brushes 330 and 332 act to slightly disturb seed on the aperture and cause excess seed to fall off. Once removed, the excess seed falls back to the seed pool 120. The brushes can be fixed in position or they can be adjustable to change

the degree to which the brushed disturb seed on the metering member. A third brush 334 is shown which extends generally radially of the metering member. The brush 334 serves to define a boundary to the seed pool 120. The brushes 330, 332 and 334 are mounted to the housing 30.

5 Returning again to Fig. 10, once seed is captured or trapped in the bristles 428, the delivery system controls the movement of seed from the seed meter to the discharge location. The seeds are held in the bristles such that the seeds can not move vertically relative to the bristles 428 or relative to other seeds in the delivery system. Particularly, during travel of the seeds along the vertical side of the delivery system, the seeds are held on at least the top and bottom of the seeds to prevent
10 any relative movement between the seed and the brush belt. Thus, the relative position of the seeds to one another is not affected by dynamics of the planting unit while moving across a field. The seed is carried by the bristles from the upper opening 416 to the lower opening 418 with the movement of the seed controlled at
15 all times from the upper opening to the lower opening.

The lower opening 418 of the delivery system housing is positioned as close to the bottom 446 of the seed trench or furrow 448 as possible. As shown, the lower opening 418 is near or below the soil surface 432 adjacent the seed furrow. The bottom of the delivery system should be no more than one or two inches, (2.5-5cm)
20 above the soil surface 432. If possible, the lower end of the delivery system should be below the soil surface 432. The housing edge wall 410 forms an exit ramp 434 at the lower opening 418. The lower opening 418 and the ramp 434 are positioned along the curve in the belt path around the pulley 422. The seed, being carried by the bristle's distal ends, increases in linear speed around the pulley 422 as the distal
25 ends of the bristles travel a greater distance around the pulley 422 than does the base member 426 of the belt. This speed difference is shown by the two arrows 440 and 442.

At discharge, the seed has a velocity shown by the vector V . This velocity has a vertical component V_V and a horizontal component V_H . The belt is operated at a
30 speed to produce a horizontal velocity component V_H that is approximately equal to, but in the opposite direction of, the seeding machine forward velocity shown by

arrow 408. As a result, the horizontal velocity of the seed relative to the ground is zero or approximately zero. This minimizes rolling of the seed in the seed trench.

Seed can be inserted into the brush bristles at essentially an infinite number of positions. This enables the brush to be operated at the speed necessary to

5 produce the desired horizontal velocity component to the seed, independent of the seed population. The seed meter, on the other hand, must be operated at a speed that is a function of both the forward travel speed of the seeding machine and the desired seed population. Because the belt 424 can be loaded with seed at essentially an infinite number of positions, the belt speed can be operated
10 independently of the seed meter speed. This is not the case with other seed delivery systems, such as that disclosed in US patent 6,681,706 where the delivery system of Fig. 2 has a belt with flights to carry the seed. The belt speed must be timed to the seed meter speed to ensure that one or more flights pass the seed meter for each seed that is discharged from the meter.

15 While it is desirable to match the seed rearward velocity to the seeding machine forward velocity to minimize seed relative velocity to the soil, with some seed types, it may be necessary to operate the brush belt at a different speed to ensure the seed is discharged from the brush bristles.

The interior of the lower portion of delivery system housing is shown in Fig.
20 19. The delivery system housing 402 is a two-piece housing having an upper housing member 460 and a lower housing member 462. The lower housing member carries the lower pulley 422. The lower housing member has an upwardly extending rod portion 464 that slides within a channel formed by walls 466 and 468 in the upper housing member. Springs, not shown, push downward on the rod portion 464 to bias
25 the lower housing member downward. The brush belt 424, wrapped about the pulleys 420 and 422, holds the upper and lower housing members together. The belt 424 is tensioned by the springs acting on the rod portion 464. A U-shaped metal strip 470 is attached to the upper housing member 460 and bridges the gap 472 between the upper and lower housing members to provide a continuous surface for holding
30 seed in the housing between the upper opening 416 and the lower opening 418. The metal strip has a tab at the upper end thereof bent over and inserted into a slot 474

in the upper housing member 460 to hold the metal strip 470 in place. If needed, a fastener, such as a nut and bolt, may be placed through the rod portion 464 and the upper housing member 460 to fix the upper and lower housing members together.

Different metering members may be used for different seed types. The metering member 100 is intended for soybeans and other crops planted with a fairly close seed spacing. Corn, which is planted at a greater seed spacing uses a metering member 200 shown in Figs. 20 and 21. Metering member 200 is constructed in a similar fashion as metering member 100 and like components are given the same reference numeral with the addition of 100. However, metering member 200 has half the number of apertures 214 as the metering member 100. To avoid the need to replace the ejector 166 when changing metering members, the metering member 200 has recess 226 extending into the sidewall 204 on the outer surface 210 of the sidewall between each aperture 214. The recesses 226 provide clearance for the projections 168 of the ejector 166 that are arranged to be inserted in each aperture 114 of the metering member 100. The recesses 226 are not open to the inner surface 208 of the sidewall 204. Thus there are additional projections 228 on the inner surface of the sidewall 204 between the apertures 214. Alternatively, the projections 228 and the paddles 216 can be formed as a single projections extending from the inner surface 208.

Having described the seed meter and delivery system, it will become apparent that various modifications can be made without departing from the scope of the accompanying claims.

Claims

What is claimed is:

1. A seed meter for a seeding machine comprising:
5 a housing; and
a seed metering member rotationally mounted to the housing, the metering member having a sidewall with a radially inner surface and a radially outer surface, the inner surface of the sidewall having an outwardly flared rim portion extending both radially outward and axially to an outer edge, the rim portion having a plurality
10 of apertures extending through the sidewall.
2. The seed meter of claim 1 wherein the inner surface of the rim portion of the metering member sidewall is frusto-conical.
- 15 3. The seed meter of claim 1 wherein the inner surface of the rim portion of the metering member sidewall is frusto-spherical.
4. The seed meter of claim 1 wherein the metering member further comprises a base portion from which the sidewall extends to the outer edge.
20
5. The seed meter of claim 4 further comprising a mounting and drive aperture in the base portion of the metering member and a rotational drive hub in the housing to which the metering member is mounted for rotation.
- 25 6. The seed meter of claim 1 further comprising a projection extending inwardly from the inner surface of the sidewall following at least one aperture in a direction of rotation of the metering member, the projection forming a confronting surface following the aperture in the direction of rotation.
- 30 7. The seed meter of claim 1 further comprising a recess extending into the sidewall of the metering member on the outer surface of the sidewall between

adjacent apertures.

8. The seed meter of claim 1 wherein the metering member is oriented with the inner surface of the rim portion of the sidewall, at a lower portion of the metering member and the housing forming a trough for a seed pool, the inner surface of the rim portion of the sidewall of the metering member at the trough being oriented at an angle between 5° and 75° relative to a vertical vector pointed upward from the outer edge of the sidewall.

9. The seed meter of claim 8 wherein the inner surface of the rim portion of the sidewall of the metering member at the trough being oriented at an angle between 10° and 50° relative to a vertical vector pointed upward from the outer edge of the sidewall.

10. The seed meter of claim 8 wherein the inner surface of the rim portion of the sidewall of the metering member at the trough being oriented at an angle between 20° and 40° relative to a vertical vector pointed upward from the outer edge of the sidewall.

11. The seed meter of claim 8 further comprising a cover coupled to the housing to cover at least a portion of the outer surface of the metering member, the cover adapted to form a vacuum chamber on the outer surface of the sidewall of the metering member, the vacuum chamber extending from the trough to at least a seed release position in a direction of rotation of the metering member wherein when vacuum is applied to the vacuum chamber and the metering member is rotated, seed from the seed pool is adhered to the apertures of the metering member and carried sequentially to the release position.

12. The seed meter of the claim 1 wherein the inner surface of the rim portion of the sidewall and the housing, at a lower portion of the metering member, form a trough to hold a seed pool, and further comprising a cover removably

mounted to the housing to cover at least a portion of the outer surface of the sidewall, the cover adapted to form a vacuum chamber on the outer surface of the rim portion of the metering member, the vacuum chamber extending from the trough to at least a seed release position in a direction of rotation of the metering member
5 whereby when vacuum is applied to the vacuum chamber and the metering member is rotated, seed from the seed pool is adhered to the apertures in the metering member and carried by the metering member to the release position.

13. The seed meter of claim 1 wherein:

10 the inner surface of the rim portion of the sidewall and the housing, at a lower portion of the metering member, form a trough to hold a seed pool;

further comprising means for adhering seed from the seed pool to the apertures in the metering member whereby when the metering member is rotated seed is carried by the metering member to a release position; and

15 an ejector having at least one projection adapted to extend into the apertures at the release position from the outer surface to push seed from the apertures.

14. The seed meter of claim 13 further comprising means for biasing the ejector toward the outer surface of the rim portion of the metering member.

20 15. The seed meter of claim 1 wherein:

the inner surface of the rim portion of the sidewall and the housing, at a lower portion of the metering member, form a trough to hold a seed pool;

25 further comprising means for adhering seed from the seed pool to the apertures in the metering member whereby when the metering member is rotated seed is carried by the metering member to the release position; and

further comprising at least one singulating member to contact seed adhered to the apertures as seed moves from the trough to the release position.

30 16. The seed meter of claim 15 wherein the singulating member is a brush having bristles positioned to contact seed adhered to the apertures as seed moves

from the trough to the release position.

17. The seed meter of claim 15 wherein the at least one singulating member comprises at least two brushes having bristles positioned to contact seed adhered to the apertures as seed moves from the trough to the release position, with one brush having bristles extending generally axially to engage seed and another brush having bristles extending at least partially radially to engage seed.

18. The seed meter of claim 1 wherein the housing is oriented on a seeding machine with the apertures in the rim portion of the metering member lying in a plane that is inclined relative to vertical so that a top portion of the metering member extends beyond a bottom portion of the metering member and wherein the housing is formed with downward facing opening beneath the top portion of the metering member through which seed from the metering member exits the housing.

15

19. A seed meter for a seeding machine having a metering member with a sidewall, the sidewall having an annular array of apertures, the metering member oriented with the apertures lying in a plane that is inclined relative to vertical so that a top portion of the metering member extends beyond a bottom portion of the metering member.

20

20. The seed meter of claim 19 wherein the plane of the apertures is inclined between 15° and 35° from vertical.

21. The seed meter of claim 19 further comprising a housing to which the metering member is rotatably mounted, the metering member and the housing cooperating to hold a seed pool at a lower end of the metering member and wherein a pressure differential between opposite sides of the metering member sidewall is used to adhere seed to the apertures as the metering member is rotated through the seed pool, the seeds being carried by the metering member to a release position at the top portion of the metering member.

30

22. The seed meter of claim 21 wherein the housing is formed with downward facing opening beneath the top portion of the metering member through which seed from the metering member exits the housing.

5

23. The seed meter of claim 22 wherein the downward facing opening is above the seed pool.

24. The seed meter of claim 21 wherein seed is adhered to a seed side of the metering member and further comprising an ejector having a projection that extends into the apertures from a side of the metering member opposite the seed side to eject seed from the apertures at a seed release position.

25. The seed meter of claim 24 further comprising a blocking member adjacent a path of travel of seed on the metering member prior to the seed reaching the release position to prevent movement of seed from the metering member prior to the release position.

26. A seed meter for a seeding machine comprising:
a housing; and
a seed metering member rotationally mounted to the housing, the metering member having a rigid sidewall with a radially inner surface and a radially outer surface, the sidewall having a rim portion extending both axially and radially to an outer edge, the rim portion having a plurality of apertures extending through the sidewall wherein the inner surface of the sidewall at a lower end of the metering member and the housing define a space for a seed pool and wherein the inner surface of the sidewall at the lower end is at an angle of between 5° and 75° to a vertical vector pointing upward from the outer edge of the metering member.

27. The seed meter of claim 26 wherein the inner surface of the sidewall at the lower end is at an angle of between 10° and 50° to a vertical vector pointing

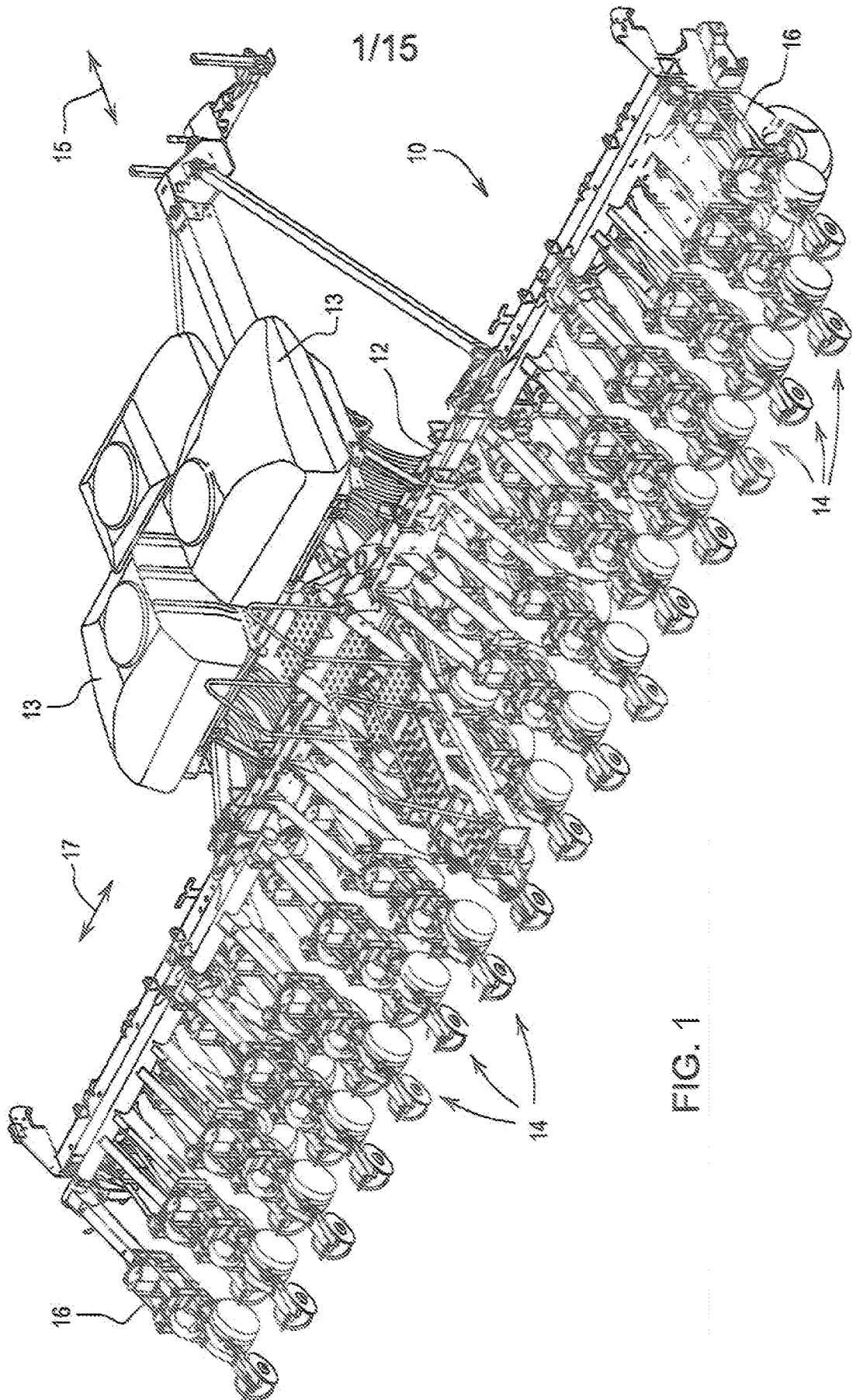
upward from the outer edge of the metering member.

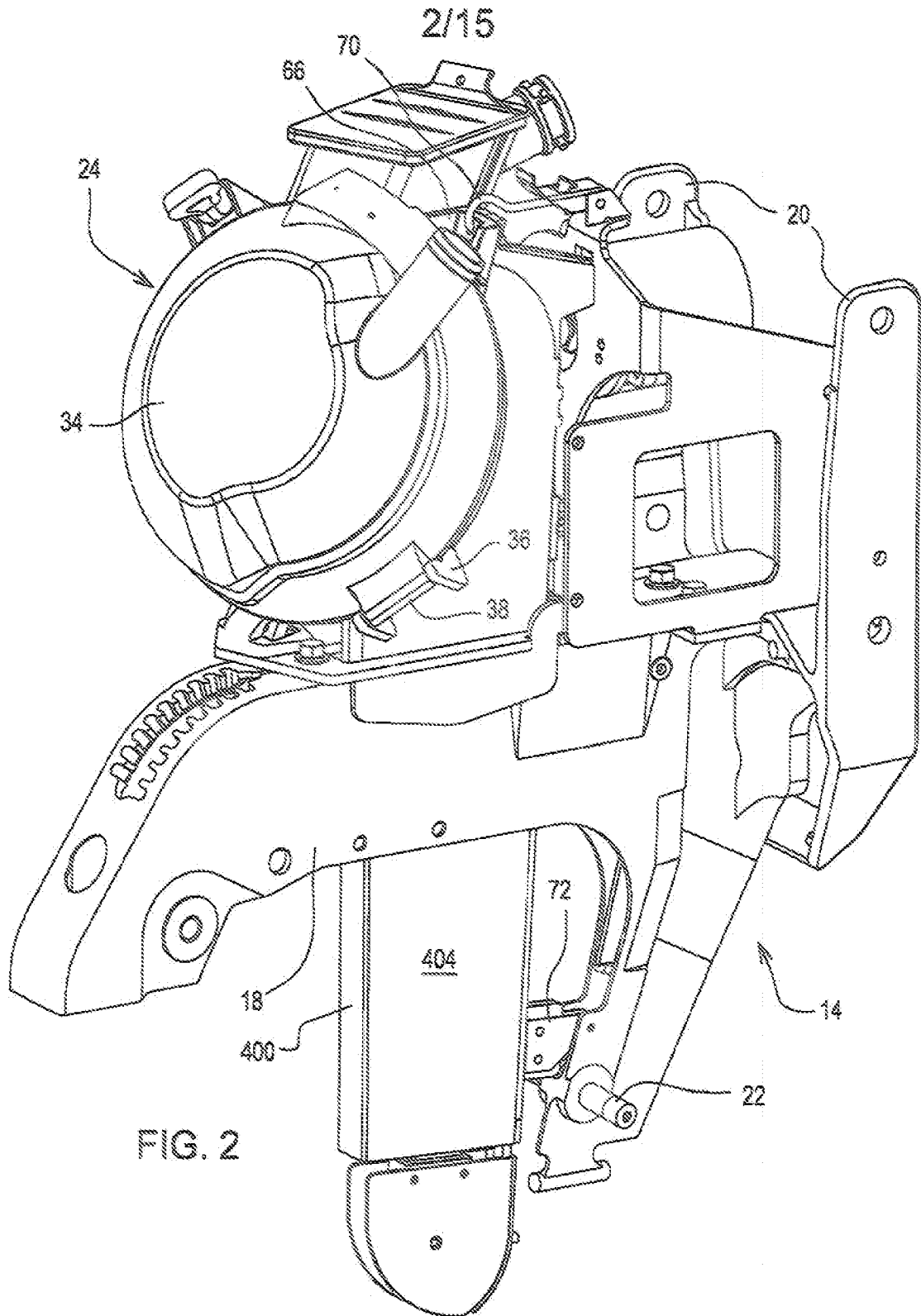
28. The seed meter of claim 26 wherein the inner surface of the sidewall at
5 the lower end is at an angle of between 20° and 40° to a vertical vector pointing
upward from the outer edge of the metering member.

29. The seed meter of claim 26 wherein at a seed release position, the
inner surface of the sidewall is at an angle of between 50° and 90° relative to a
10 vertical vector pointed downward from the outer edge of the metering member.

30. The seed meter of claim 28 wherein at a seed release position, the
inner surface of the sidewall is at an angle of between 50° and 90° relative to a
vertical vector pointed downward from the outer edge of the metering member.

15





3/15

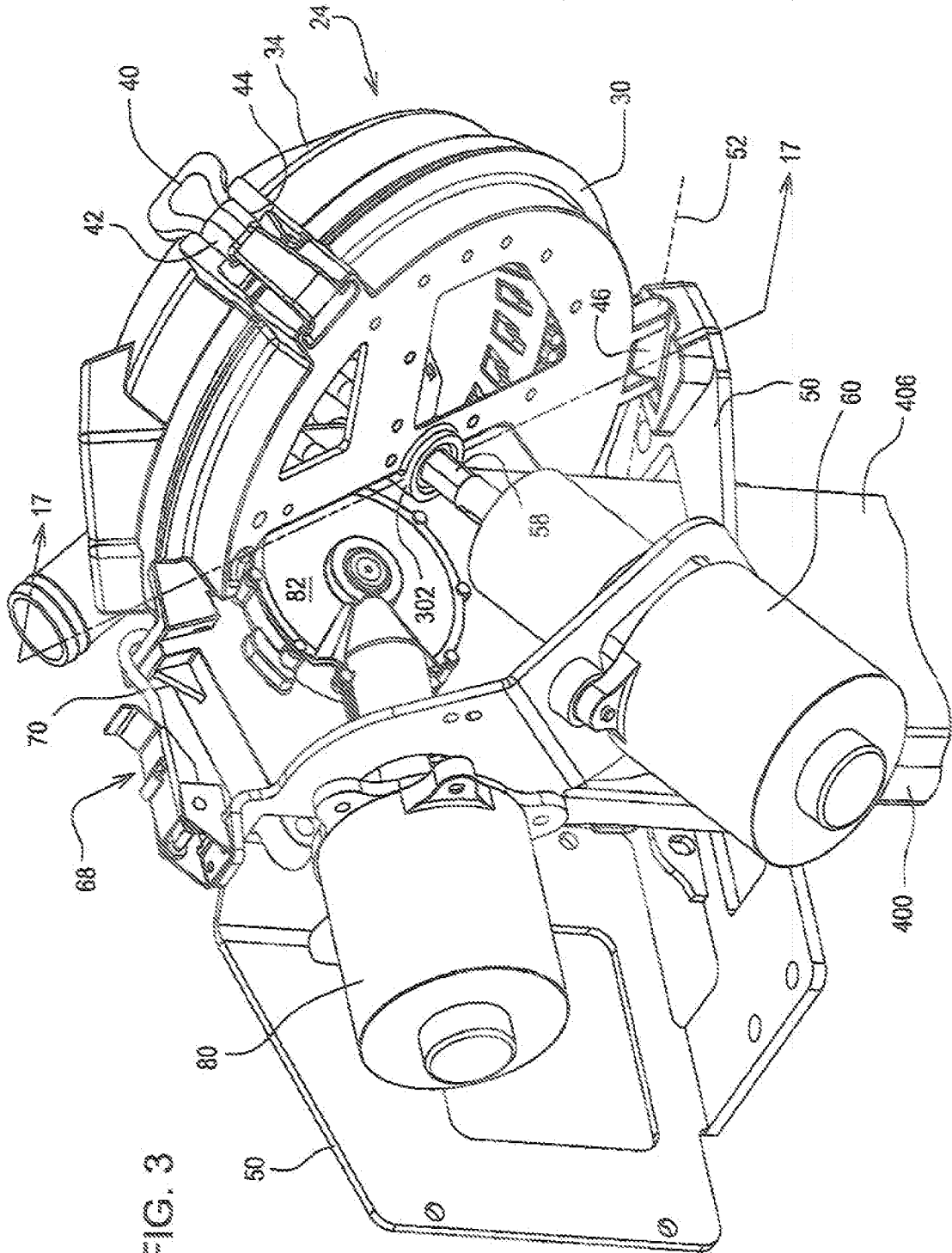
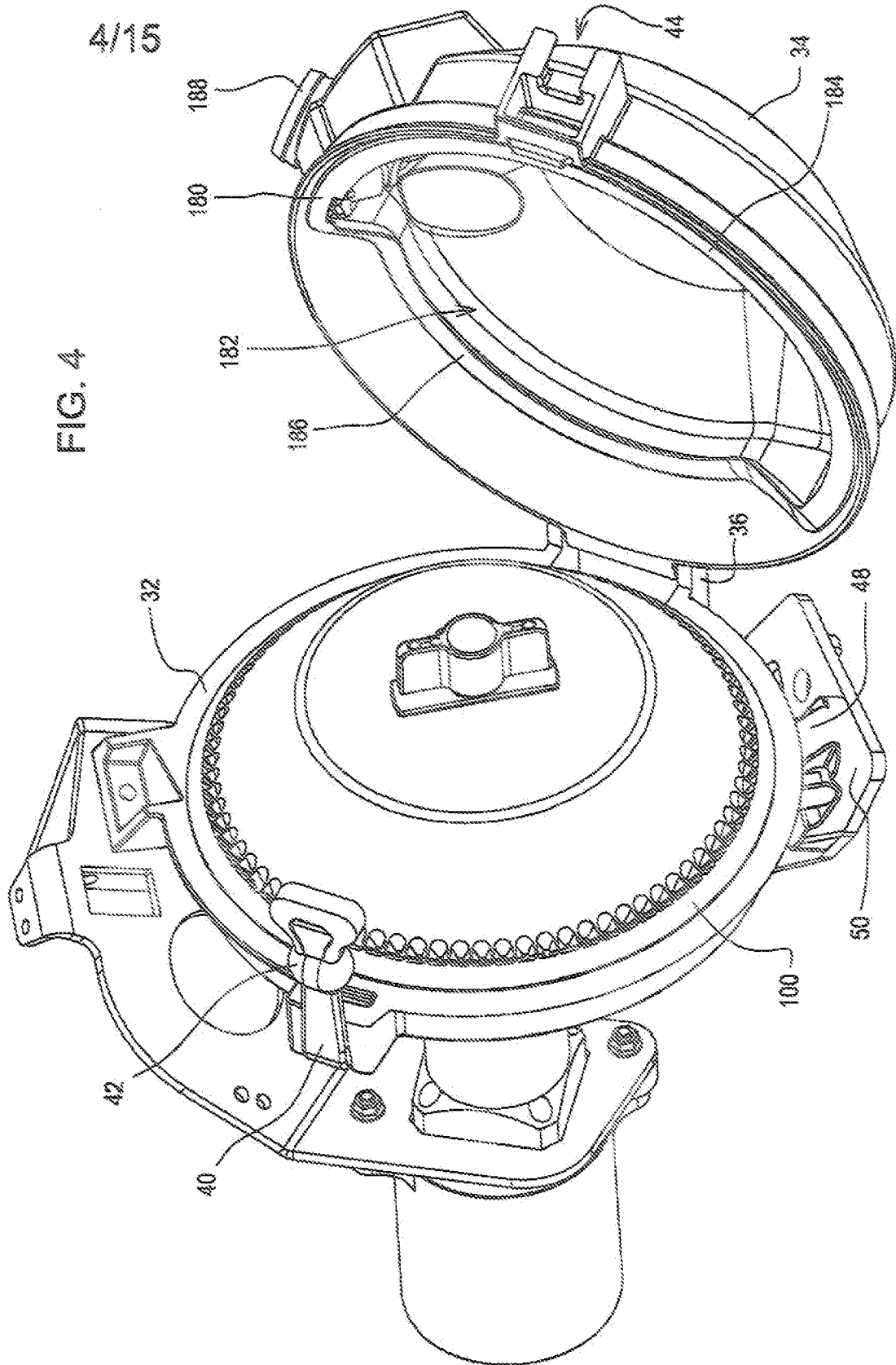


FIG. 3

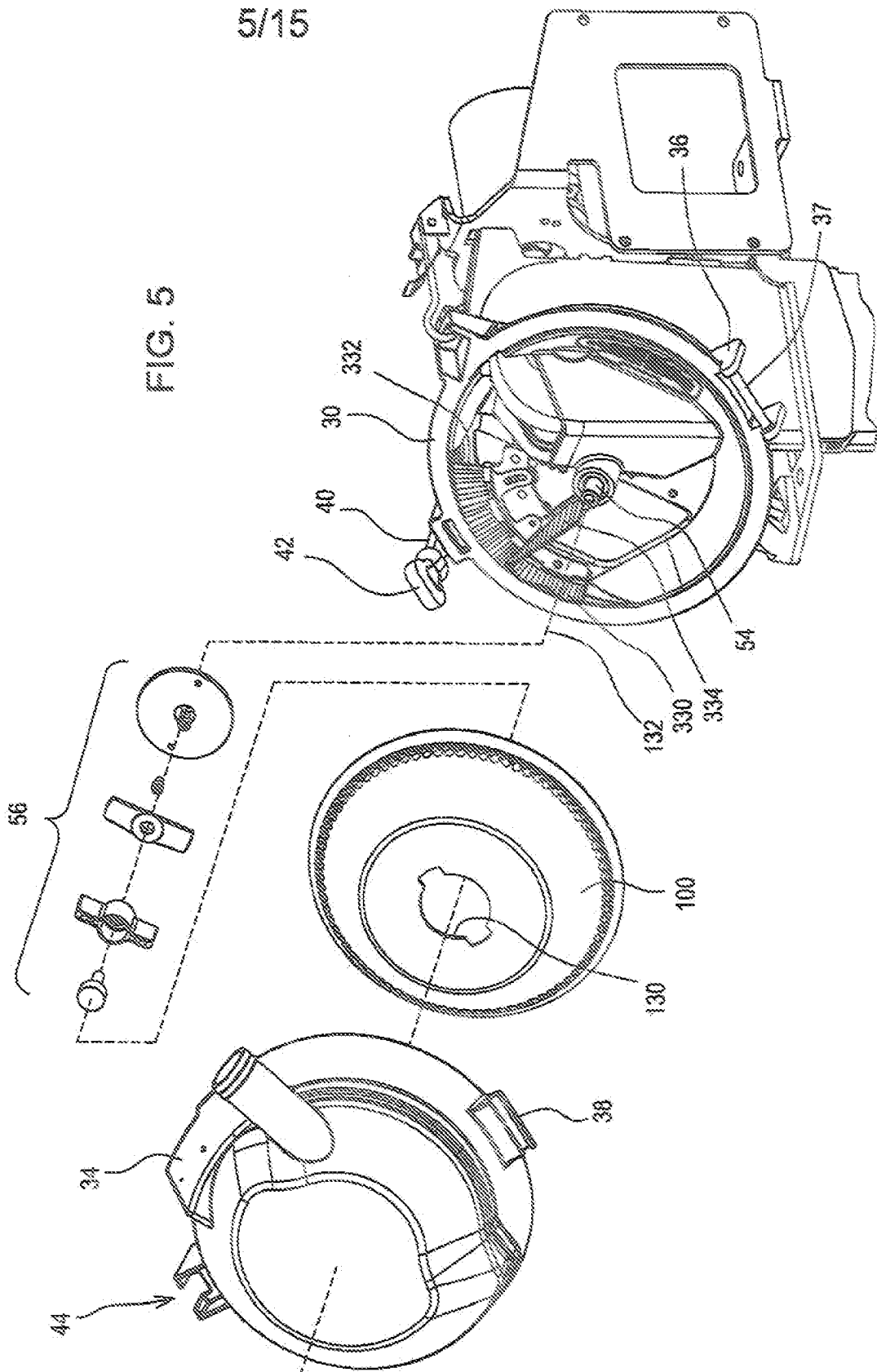
FIG. 4



4/15

5/15

FIG. 5



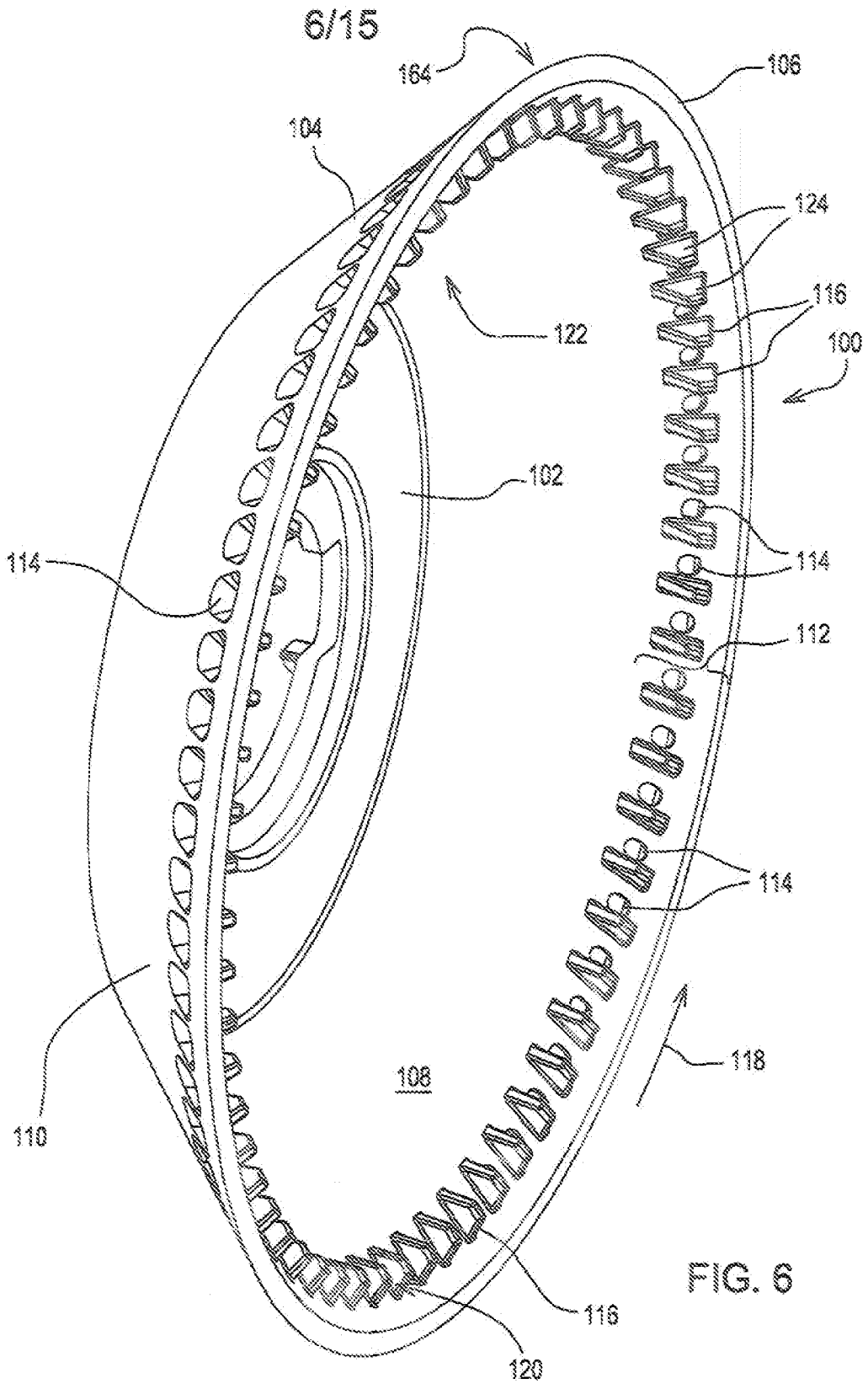
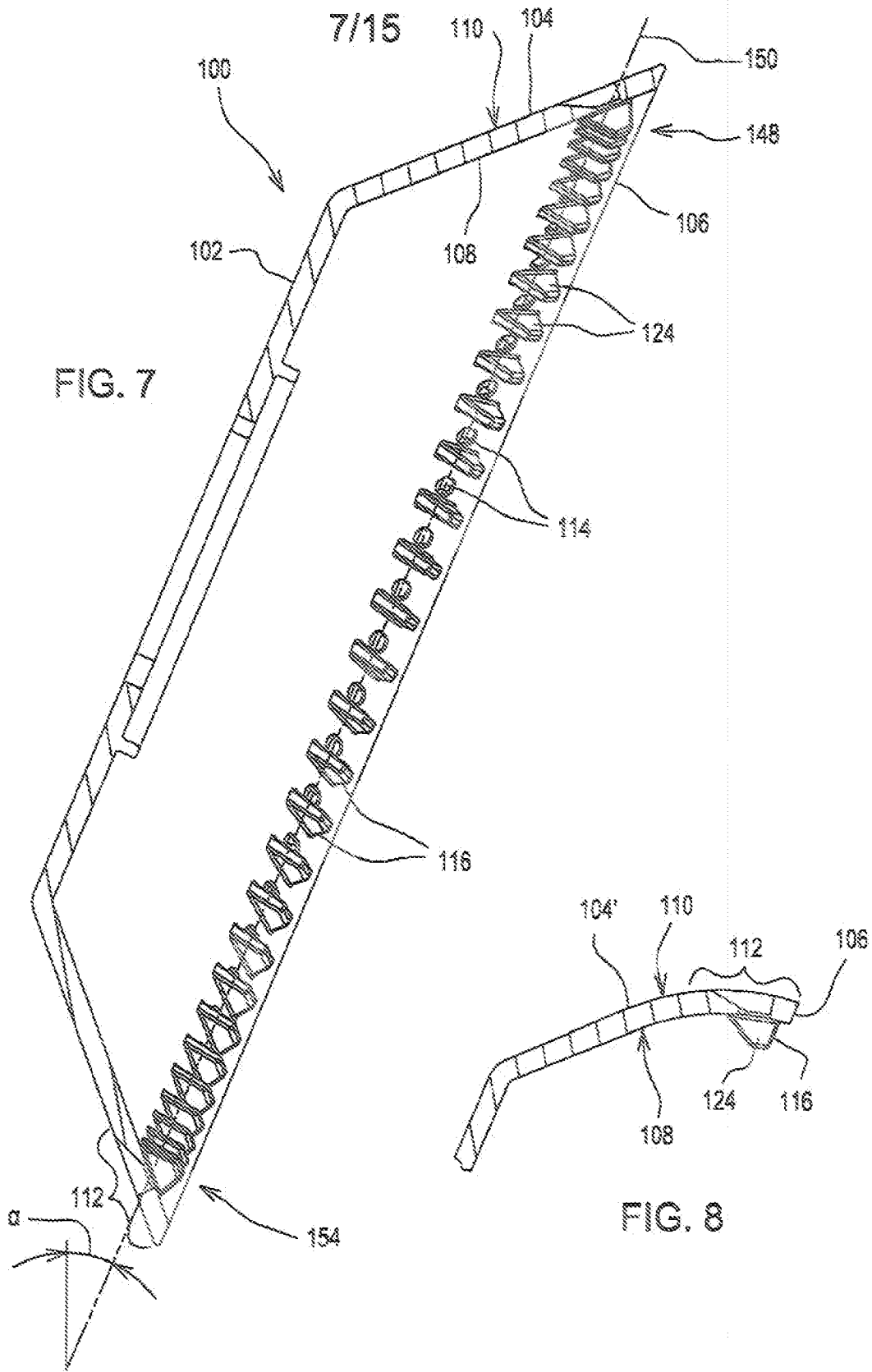


FIG. 6



8/15

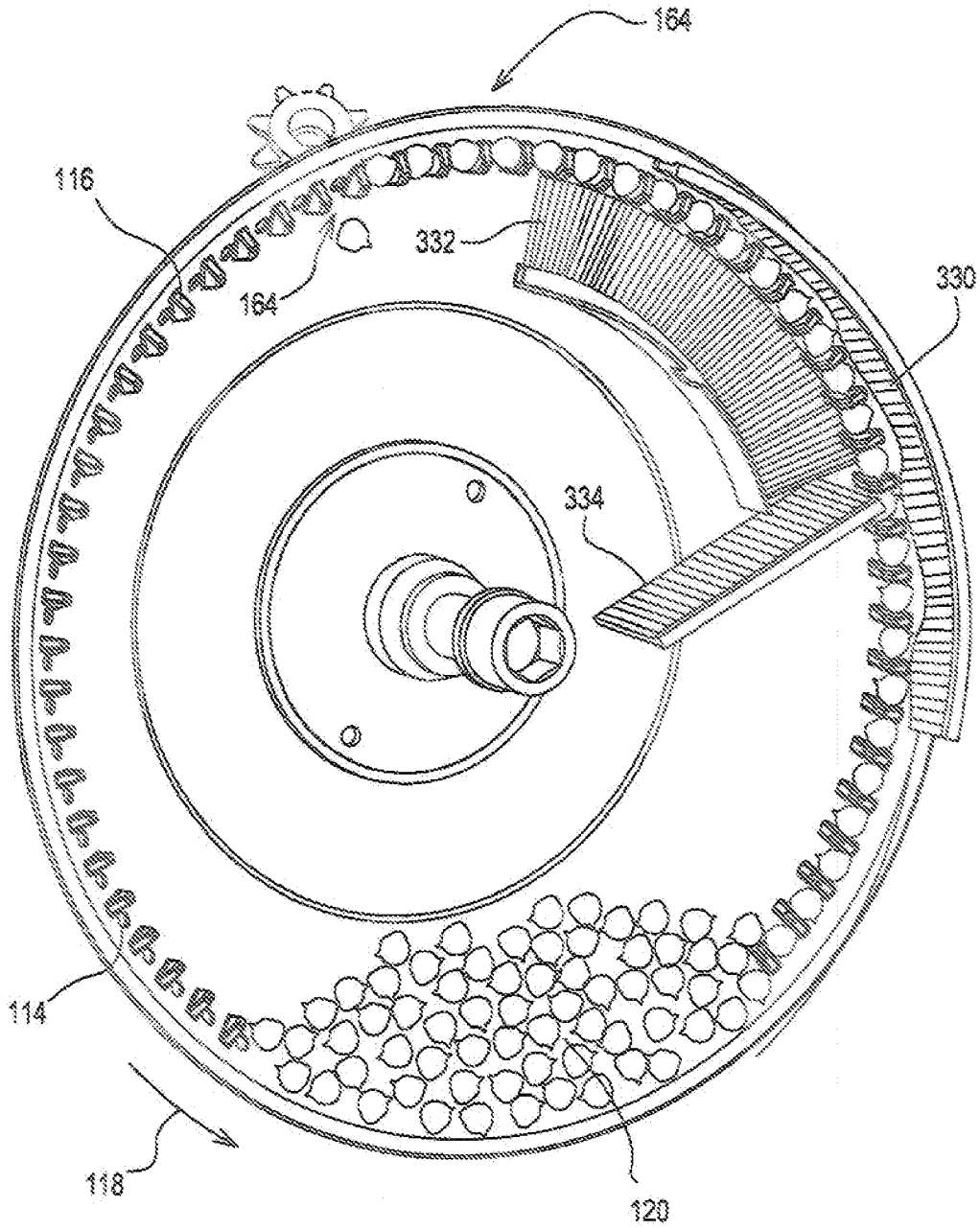
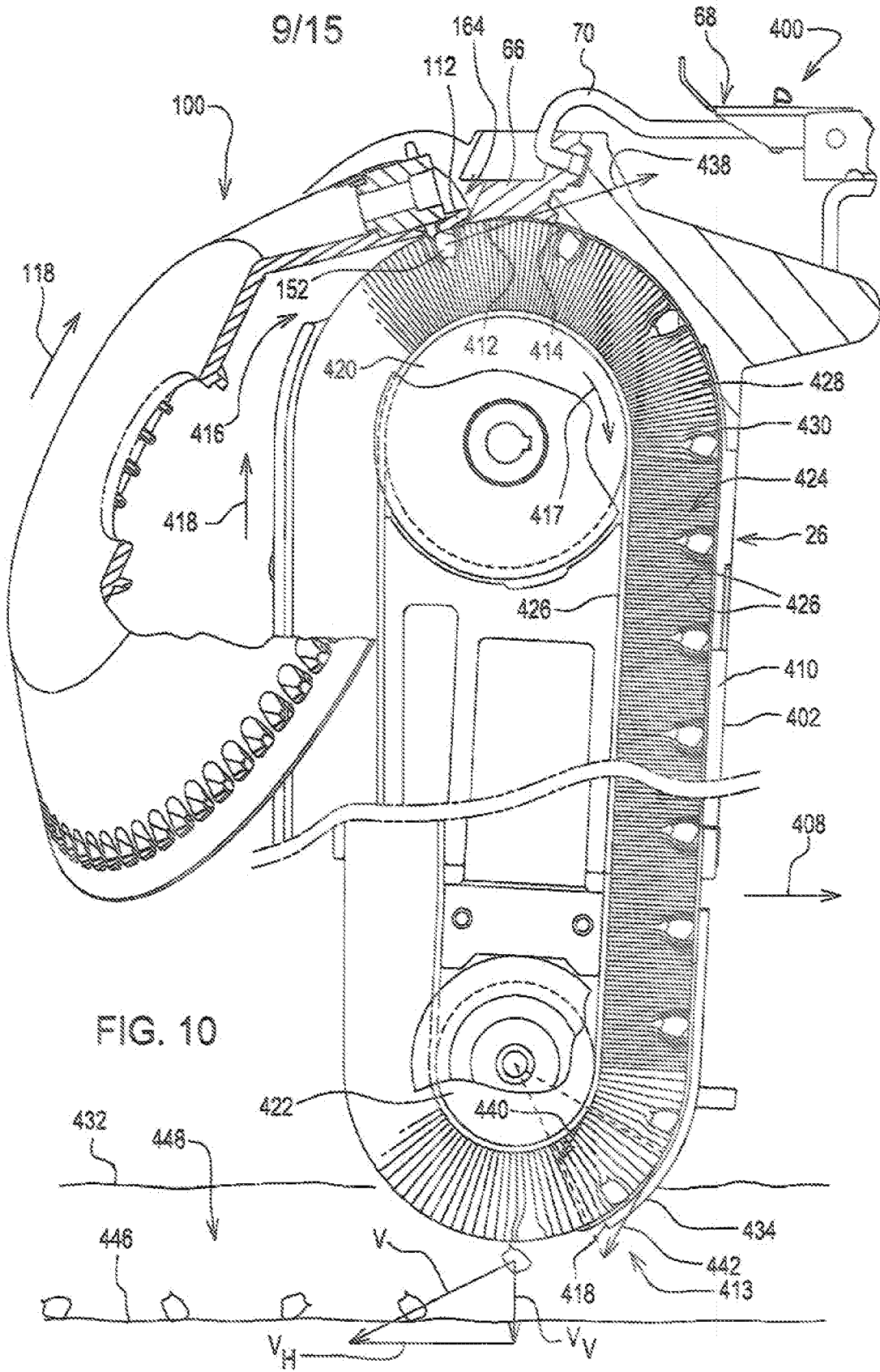


FIG. 9



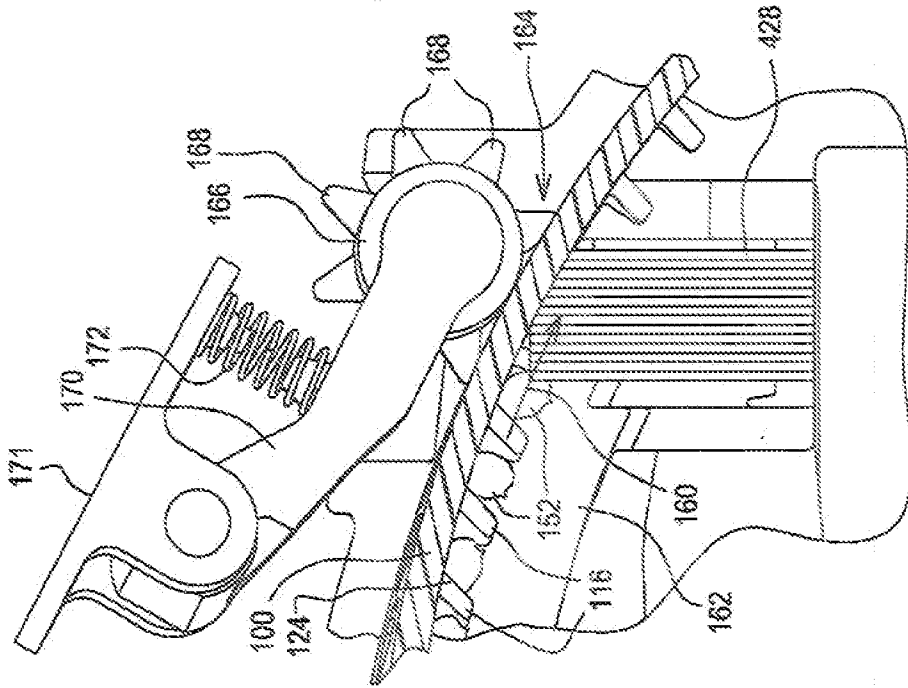


FIG. 11

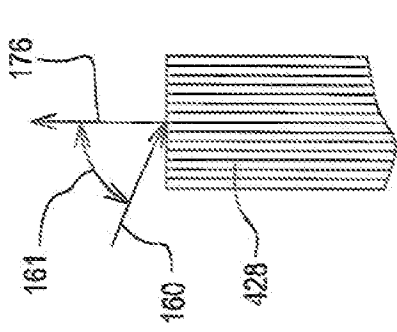


FIG. 13

10/15

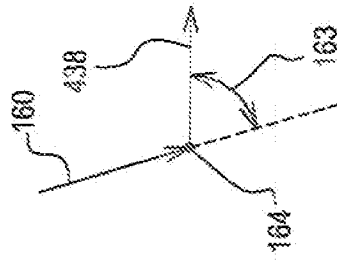


FIG. 14

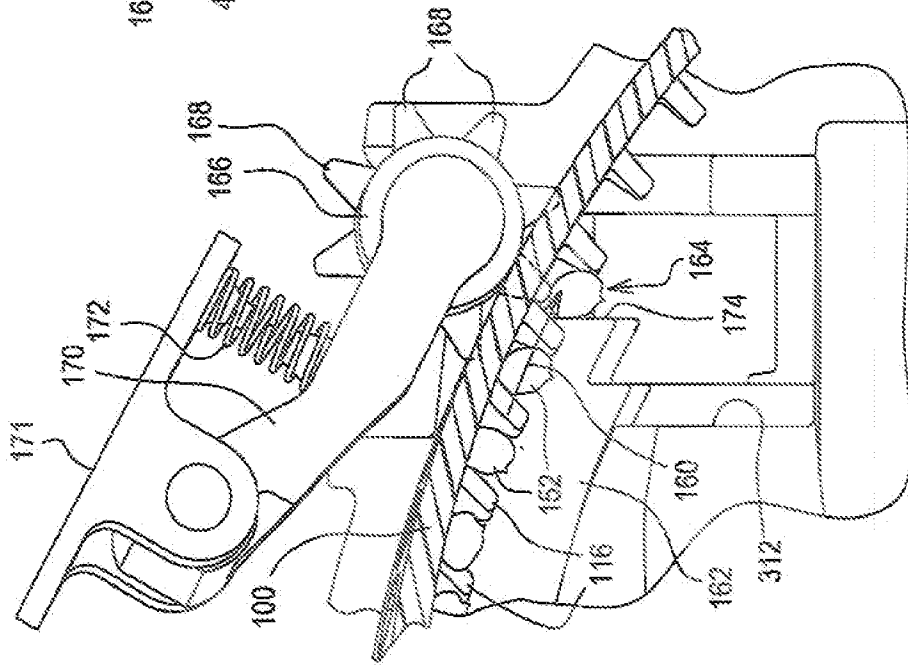
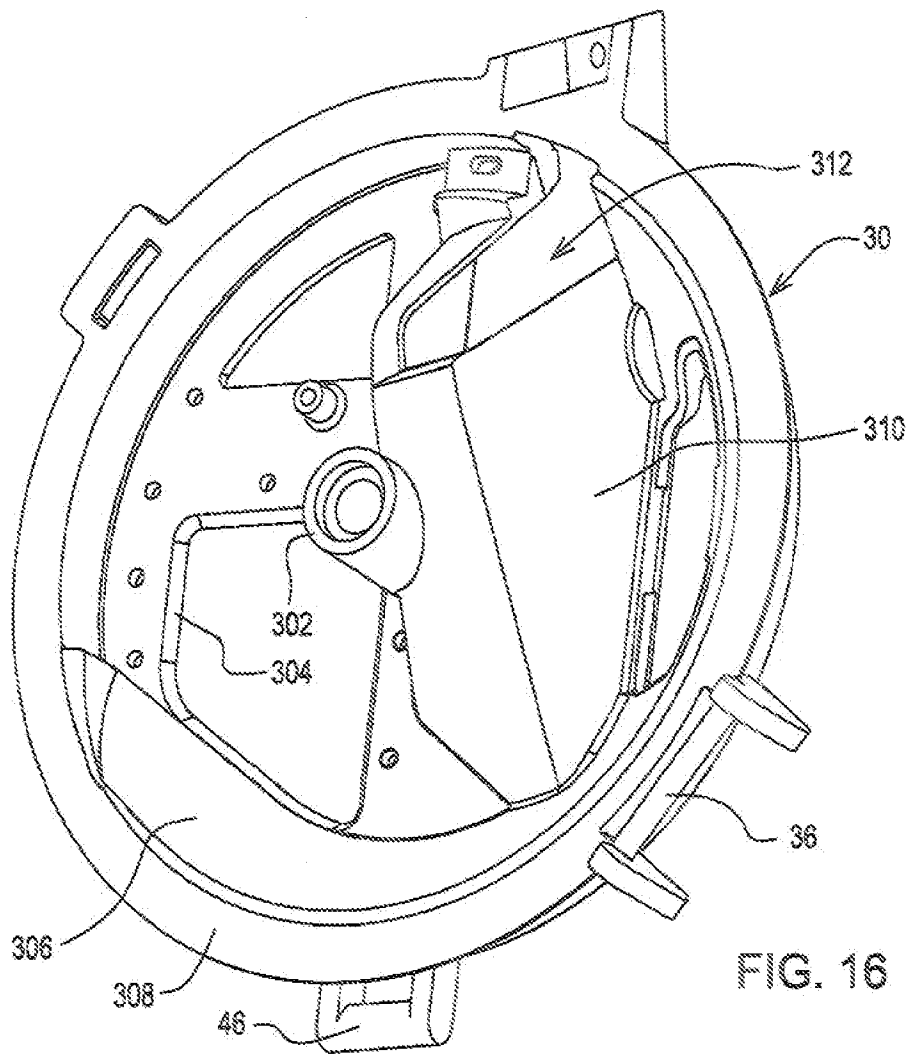
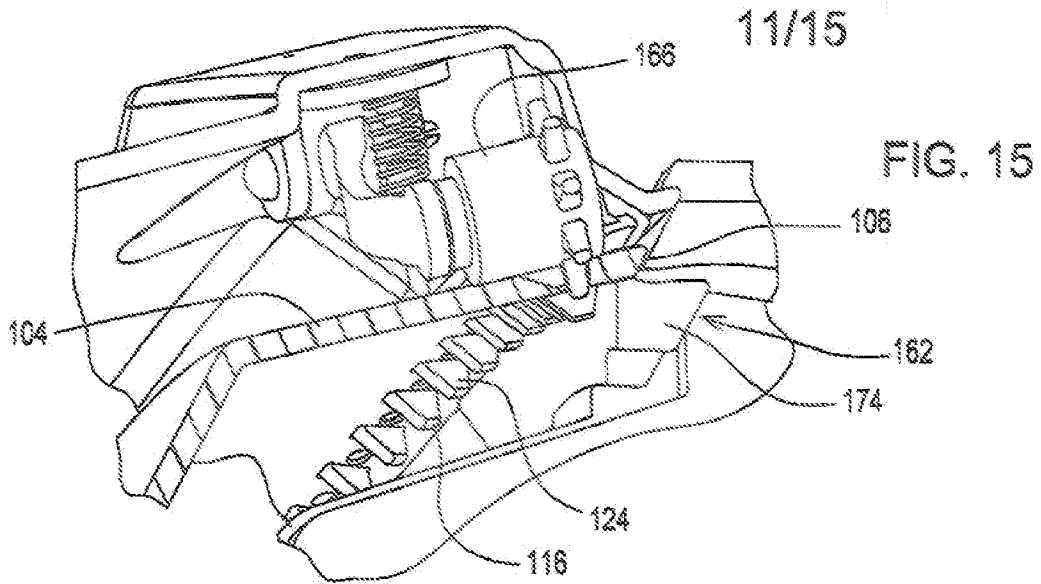


FIG. 12



12/15

FIG. 17

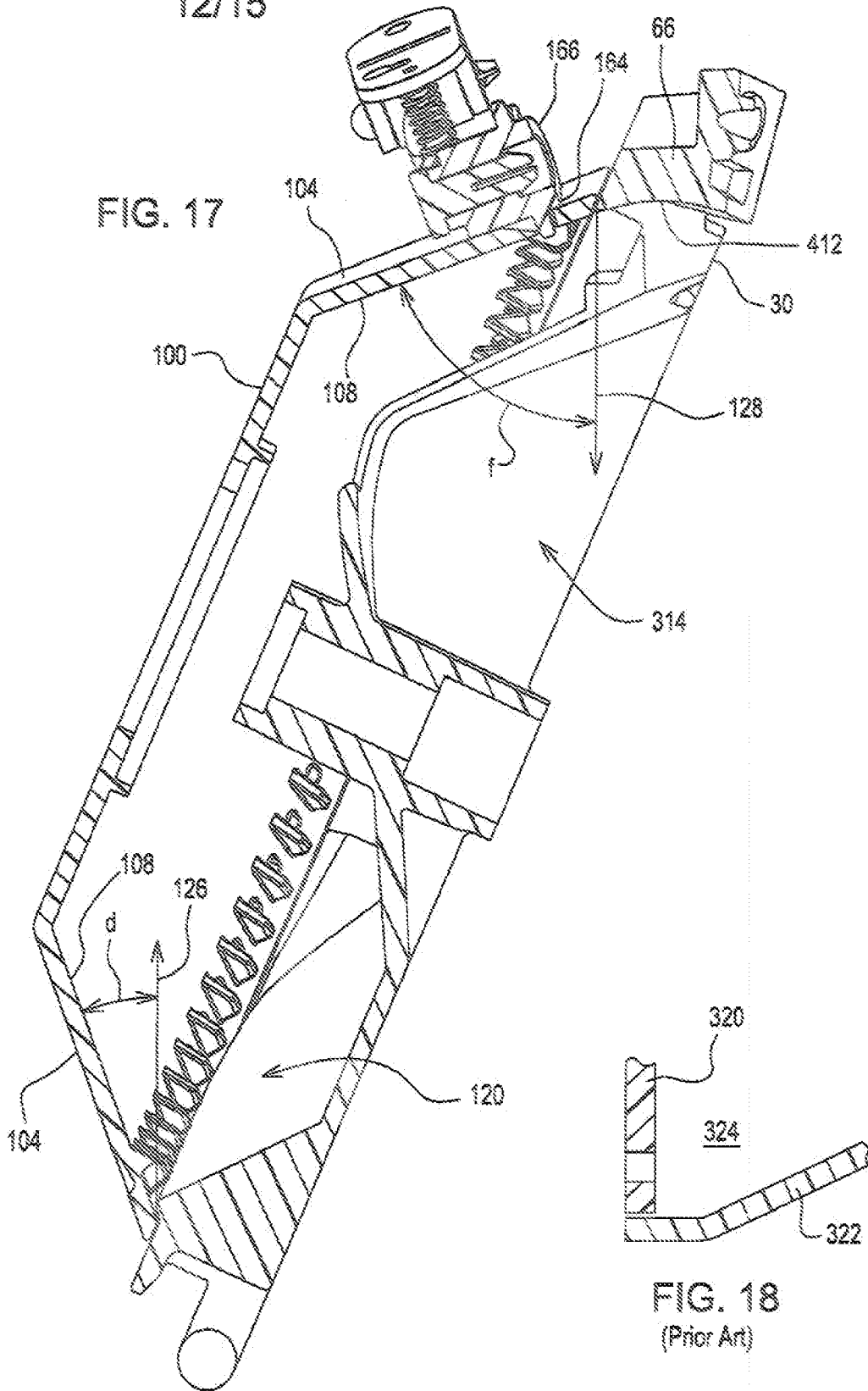
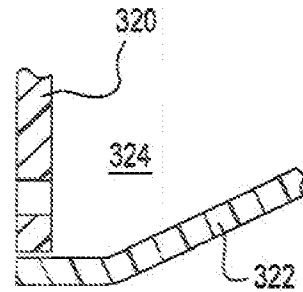


FIG. 18
(Prior Art)



13/15

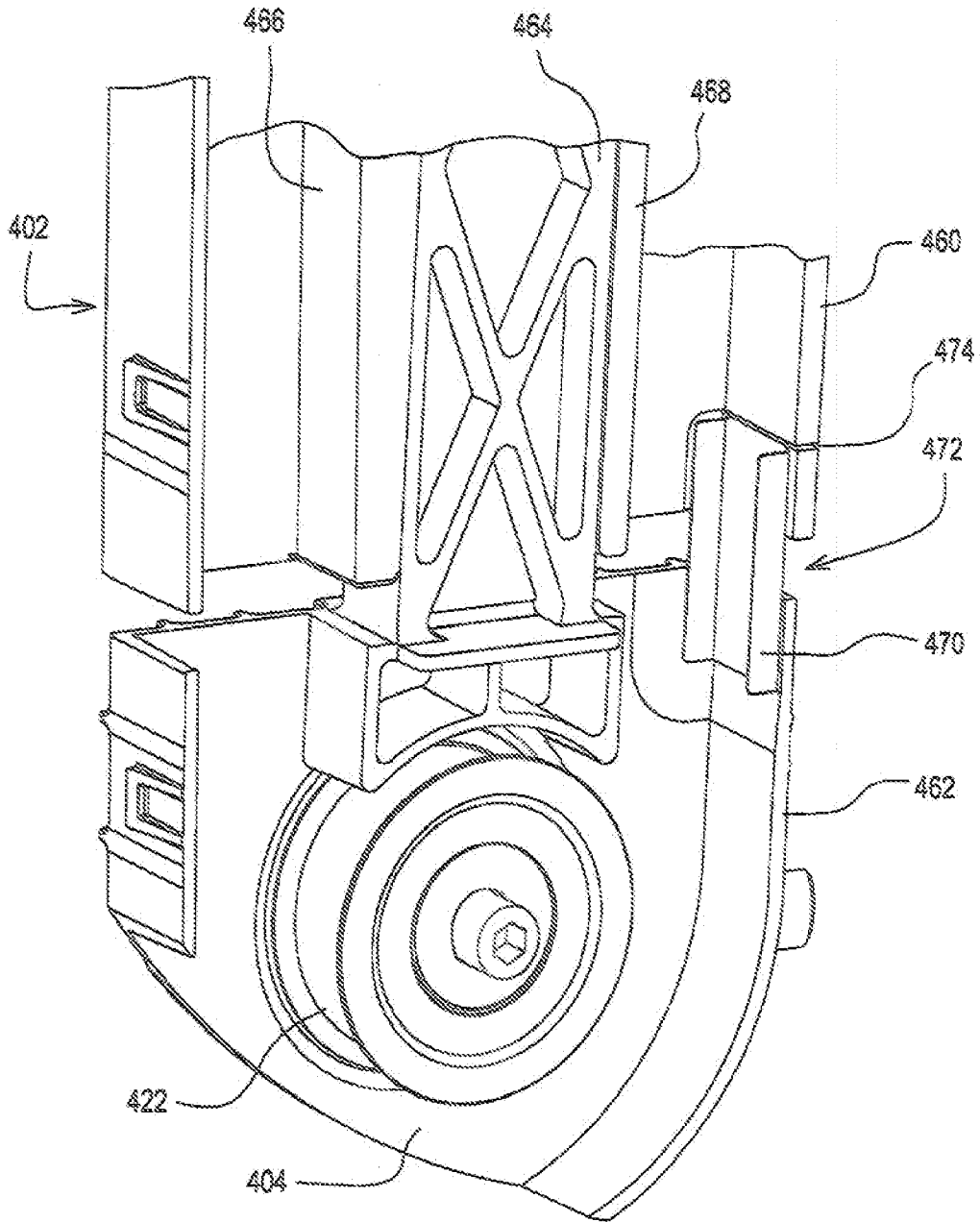
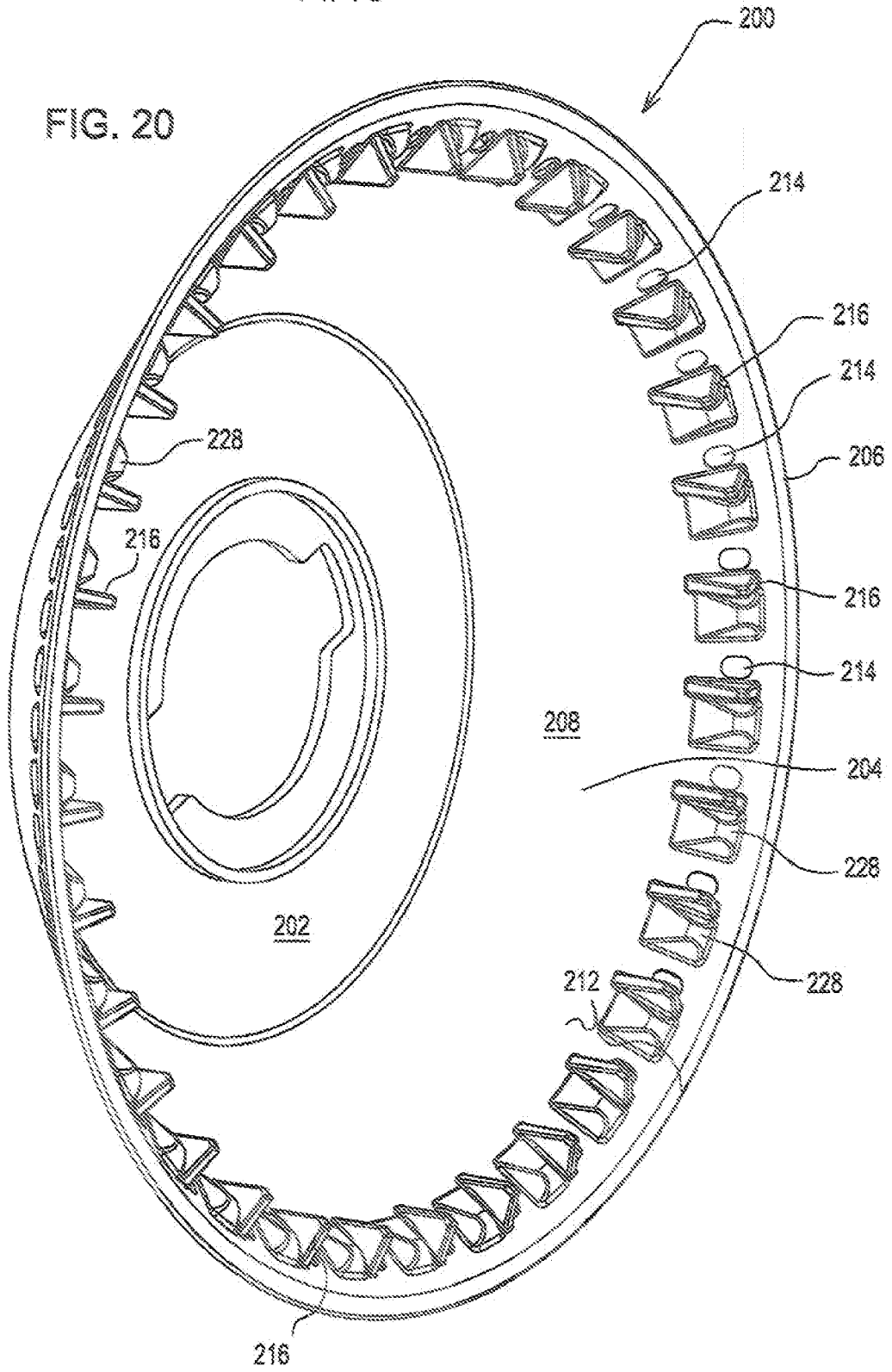


FIG. 19

14/15

FIG. 20



15/15

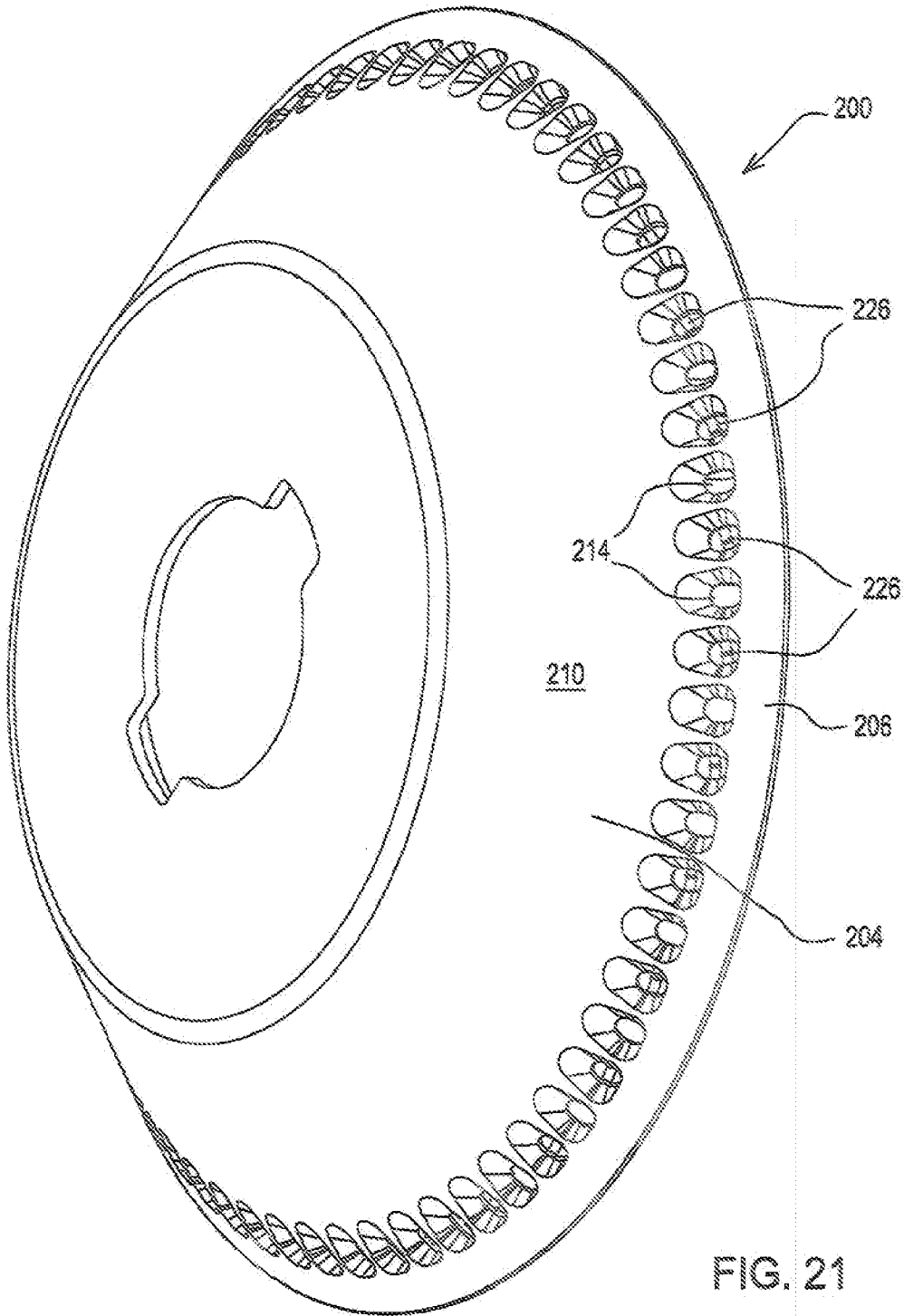


FIG. 21