



(86) Date de dépôt PCT/PCT Filing Date: 2004/06/14
(87) Date publication PCT/PCT Publication Date: 2004/12/29
(85) Entrée phase nationale/National Entry: 2005/12/01
(86) N° demande PCT/PCT Application No.: DE 2004/001209
(87) N° publication PCT/PCT Publication No.: 2004/114463
(30) Priorité/Priority: 2003/06/13 (103 27 061.2) DE

(51) Cl.Int./Int.Cl. *H01Q 1/36* (2006.01),
H01L 39/12 (2006.01), *G01R 33/035* (2006.01)
(71) Demandeur/Applicant:
QEST QUANTENELEKTRONISCHE SYSTEME
TUEBINGEN GMBH SITZ BOEBLINGEN, DE
(72) Inventeurs/Inventors:
OPPENLAENDER, JOERG, DE;
HAEUSSLER, CHRISTOPH, DE;
SCHOPOHL, NILS, DE;
FRIESCH, ALEXANDER, DE;
TOMES, JOERG, DE
(74) Agent: FETHERSTONHAUGH & CO.

(54) Titre : ANTENNE QUANTIQUE SUPRACONDUCTRICE
(54) Title: SUPERCONDUCTING QUANTUM ANTENNA

(57) **Abrégé/Abstract:**

The invention relates to an antenna for electromagnetic waves which comprises a quantum interference filter (51), at least one low-temperature transistor (51) and primary antenna structures (54, 55, 59, 60), means (51, 52, 53a, 53b) for diverting an electromagnetic wave from the circuit arrangement, cooling elements and insulating agents (57). The superconductive quantum interference filter (51) and the transistor (52) are active components. The primary antenna structure is connected to at least one of the active components (51, 52) in such a manner that, when an electromagnetic wave is incident on the primary antenna structure (54, 55, 59, 60) at the output of the at least one active component (51, 52), a guided electromagnetic wave is the result. At least a part of the circuit arrangement and at least a part of the primary antenna structure (54, 55, 59, 60) is thermally insulated. Said thermal insulation (57) is permeable to the frequency of electromagnetic waves. The cooling elements are adapted to cool at least a part of the circuit arrangement down to less than the transition temperature of at least one of the superconductive materials.

Abstract

An antenna for electromagnetic waves is proposed that comprises a quantum interference filter (51), at least one low-temperature transistor (52) and primary antenna structures (54, 55, 59, 60), means (51, 52, 53a, 53b) for deriving an electromagnetic wave from the circuit, cooling elements and insulating means (57), wherein the superconducting quantum interference filter (51) and the transistor (52) act as active components, the primary antenna structure is connected up to at least one of the active components (51, 52) in such a way that upon incidence of an electromagnetic wave on the primary antenna structure (54, 55, 59, 60) there is present at the output of the at least one active component (51, 52) a conducted electromagnetic wave, and wherein at least one part of the circuit and at least one part of the primary antenna structure (54, 55, 59, 60) are thermally insulated, the thermal insulation (57) is frequency transparent to electromagnetic waves, and the cooling elements are designed to cool down at least one part of the circuit below the transition temperature of at least one of the superconducting materials.

"Superconducting quantum antenna"

The present invention relates to an active highly sensitive antenna for electromagnetic waves in accordance with the preamble of claim 1.

Prior art:

The mode of operation of conventional electric receiving antennas is based essentially on the fact that an incident electromagnetic wave induces a voltage drop across the antenna that constitutes the input signal for the receiving electronics. However, the induced voltage drop is generally so small that it must initially be amplified with the aid of resonance effects. In this case, either the conventional antenna is itself designed in such a way that a geometrical resonance occurs at the receiving frequency, or the antenna is provided with an electric balancing network such that the antenna and balancing network form a resonant circuit.

Owing to the resonance amplification required for achieving an adequate sensitivity, the frequency bandwidth within which reception is possible is severely restricted with conventional antennas. The bandwidth is typically smaller than 20% of the resonance frequency. A larger bandwidth can be achieved with the aid of so-called "frequency independent" logarithmic spiral antennas. However, even here the extent of the antenna must be in the region of the wavelength of the electromagnetic wave to be received, and the sensitivity of such antennas is mostly low.

It is true in principle that magnetic loop antennas can be designed with broader bands than electric antennas, but they cannot be used at relatively high frequencies because of the occurrence of inductive effects and because of the skin effect. Moreover, during

conventional operation the impedance of magnetic loop antennas can be adapted to the impedance of conventional electronic circuits only with difficulty, and the efficiency of the antennas is thereby sharply
5 decreased.

A further problem occurs with conventional antenna systems when electromagnetic waves of very low signal strength are to be received. The input sensitivity of
10 conventional antenna systems is limited in principle by the noise of the preamplifier following the antenna. The input signal coming from the antenna must be above the noise threshold of the preamplifier so that it can be usefully amplified. In order to receive very small
15 signals, it is therefore necessary with conventional receiving systems that the antenna extracts a sufficient amount of energy from the electromagnetic field. In the case of very small signal strengths, this can be achieved conventionally only by using very large
20 antennas, parabolic mirrors or arrays of antennas, for example. In any case, the spatial extent of the antenna increases sharply here. A typical application in which small signal strengths are present, is the reception of satellite signals, for example. Here, the extent of the
25 antenna is typically in the region of one meter.

Because of their large dimensions, antenna arrays are not suitable, or suitable only in a severely restricted way, for mobile use, in particular, for example in
30 vehicles, ships or aircraft.

Since conventional antenna systems must extract energy from the electromagnetic field in order to process the information contained in the field, the range of
35 transmission antennas is additionally limited in principle by the number of the receivers for a given transmitter power.

The object is based on the problem of overcoming the

limitations of conventional receiving antennas with regard to their sensitivity and their dimensions.

This problem is solved by means of the features set
5 forth in patent claims 1, 3 and 4.

The advantages achieved with the invention reside in the fact that owing to its functional principle when using a superconducting quantum interference filter, in
10 particular, the antenna extracts no energy, or only a very small amount thereof, from the electromagnetic field and thereby renders possible the reception of very small signals in conjunction with a very small dimension of the antenna itself. In order to achieve
15 the sensitivity of a parabolic antenna of approximately 60 cm diameter, an inventive antenna of approximately 1 cm x 1 cm is typically sufficient. In addition, the antenna can be designed such that its bandwidth is bounded only by the cutoff frequency of the
20 superconducting quantum interference filter used. This cutoff frequency is typically in the range of 20 GHz to 100 GHz, and so appropriate bandwidths can be achieved.

A superconducting quantum interference filter has the
25 following basic features:

closed superconducting cells which form a current loop and in each case include a plurality of, preferably two Josephson junctions,
30

at least three of these cells are connected in a superconducting or non-superconducting fashion,

the junctions of the at least three cells can be
35 energized in such a way that a time-variant voltage drops in each case across at least two junctions of a cell, the time average of which voltage does not vanish,

PCT/DE 2004/001209

Applicant: QEST Quantenelektronische
Systeme Tübingen GmbH, head office Böblingen

- New page 4 -

closed superconducting cells that form a current loop and in each case include a plurality, preferably two Josephson junctions,

at least three of these cells are connected in a superconducting or non-superconducting fashion,

the junctions of the at least three cells can be energized in such a way that a time-variant voltage drops in each case across at least two junctions of a cell, the time average of which voltage does not vanish,

the at least three cells are configured differently geometrically in such a way that the magnetic fluxes enclosed by the cells in the case of an existing magnetic field differ from one another in such a way that the frequency spectrum of the voltage response function has no significant Φ_0 -periodic component with reference to the magnetic flux, or in that if a discrete frequency spectrum exists, the contribution of the Φ_0 -periodic component of the discrete frequency spectrum is not dominant compared to the non-periodic components of the discrete frequency spectrum.

Specific reference is made here to the corresponding German laid-open patent application and to the US patent. A description is given herein not only of the described basic form of a superconducting quantum interference filter, also denoted below as a SQIF, but also to a multiplicity of developments corresponding to the following statements A1) to A12).

when the magnetic fluxes enclosed by the cells are not in a rational ratio to one another. In addition, the differences in area between the individual cells are preferably relatively large. In particular, in this case cells connected in a superconducting fashion are superimposed in such a way that the voltage response function no longer has a period.

Consequently, different cells are connected to one another specifically, and this is something the person skilled in the art would always want to avoid with conventional SQUID arrangements. This is expressed, for example, in the publication by HANSEN, BINSLEV J., LINDELOF P.E.: Static and dynamic interactions between Josephson junctions. In: Reviews of Modern Physics, Vol. 56, No. 3, July 1984, p. 431 to 459. On page 434, left-hand column, last paragraph and subsequently in the right-hand column, this publication favors a system with identical cells and identical junctions and, by contrast, classifies asymmetries as counterproductive for the functioning of the SQUID described in this regard.

Superconducting quantum interference filters exhibit the physical effect of multiple macroscopic quantum interference in such a way that the ambiguity of the calibration curves of conventional SQUID magnetometers and SQUID gradiometers is removed.

In a superconducting quantum interference filter, the quantum mechanical wave functions which describe the state of the superconducting solid interfere in such a way that a unique macroscopic calibration curve $\langle V(\vec{B}; I_0) \rangle$ is produced. In the ideal case, the calibration curve $\langle V(\vec{B}; I_0) \rangle$ of the superconducting quantum interference filter has no periodicity with the period Φ_0 and is a function, rising monotonically in a specific measuring

range, of the absolute value of the external magnetic field \bar{B} at the location of the SQIF.

5 The uniqueness of the calibration curve, and the high sensitivity of superconducting quantum interference filters permit the direct measurement of time-variant electromagnetic fields in a continuous frequency range whose lower bound is at $\nu_{ext} \approx 0$ and whose upper bound is currently at several hundred GHz to THz, depending
10 on the type of Josephson junctions or weak links used. This entire frequency range is accessible with the aid of a single, appropriately designed superconducting quantum interference filter. In the detection of electromagnetic waves, the superconducting quantum
15 interference filter operates simultaneously as a receiving antenna, filter and powerful amplifier. The inherent noise of suitably designed quantum interference filters can in this case be smaller by several orders of magnitude than the inherent noise of
20 conventional SQUID magnetometers. A further advantage by comparison with conventional antennas and filters resides in this case in that, inter alia, depending on the measuring principle the frequency range is not a function of the spatial extent of the superconducting
25 quantum interference filter. The spatial extent can influence only the sensitivity.

The production of superconducting quantum interference filters can be performed using known, cost-effective
30 technical methods such as are applied, for example, in modern production of conventional SQUIDs. Since the spatial extent of superconducting quantum interference filters need not differ substantially from the spatial extent of conventional SQUID systems, the
35 cryotechnologies developed for conventional SQUID systems can be taken over directly. There is no need for specific developments in the field of cryotechnology.

A2) In a system made from the cells described above, it is preferable to provide at least for one cell, favorably for the largest part of the cells, exactly two junctions per cell which are connected in a superconducting fashion and connected electrically in parallel. The effects just described can be achieved comparatively simply and effectively by exactly two junctions.

10 A3) However, the desired effects can also be achieved in a favorable way when more than two junctions are provided in a cell which are connected in a superconducting fashion and connected electrically in parallel, specifically in the form of a series circuit of junctions which is connected in parallel to an individual junction, or in the form of two parallel-connected series circuits of junctions.

20 A4) However, the effects according to the invention can also be achieved by structures of at least one cell of a network, in the case of which, in addition to a basic form of at least two junctions across which a time-variant voltage whose time average does not vanish drops, in particular in addition to a basic form of two junctions connected electrically in parallel, a further junction or a plurality of further junctions are provided, which contacts are not directly energized and therefore there is no voltage drop on average across these junctions. In this case, the connections of all the junction in the individual cells continue to be superconducting. Such embodiments can be advantageous, since the screening currents induced in the individual cells by a magnetic field can be reduced by additional junctions. The influence of self-inductances and mutual inductances can thereby be reduced.

A5) In a particularly preferred embodiment, a plurality of cells form a network or a network section, in which all junctions are connected electrically in

parallel such that the junctions can be energized in the same direction. In particular, particularly high sensitivities for the measurement of a magnetic field can be achieved by means of such an arrangement when, 5 in this connection, the cells are interconnected in a superconducting fashion.

A6) A plurality of cells or network sections can, however, also be advantageously connected electrically 10 in series such that the junctions in the network can in turn be energized in the same direction. The magnitude of the measurement signal can be increased by this measure, since the voltages at the junctions add together in the series circuit.

15 A7) A particularly high sensitivity can also be achieved by the parallel connection of series arrangements of a plurality of cells or network sections. In this embodiment, the network sections or 20 cells are preferably connected in a superconducting fashion, in particular by means of superconducting twisted-pair cables. The resolution capacity of superconducting quantum interference filters can in this case reach down to the range of aT (10^{-18} tesla) 25 and below. The calibration curve also remains unique for such measuring ranges, thus rendering possible absolute quantitative measurements of extremely small fields.

30 A8) The network can be used in a voltage-driven or current-driven fashion.

A9) In order to achieve Josephson effects which are as ideal as possible, it is proposed, furthermore, that 35 the junctions are designed as point junctions.

A10) In order to increase the sensitivity of a SQIF, it is further possible for the geometry of the cell arrangement to be designed so as to reduce magnetic

crosstalk from one cell to an adjacent cell on the basis of the magnetic self-field produced by a current flowing in the cells.

5 A11) In a further preferred refinement, the cells of the network and/or network sections are spatially aligned, in particular in two-dimensional or three-dimensional space. This measure renders it possible to determine individual magnetic field components in
10 addition to the absolute value of the magnetic field. The direction of the magnetic field can therefore be measured in the case of a three-dimensional arrangement in space.

15 A12) It is further preferred if the current driving the junctions is fed in, and/or led off again through ohmic resistors which are designed, in particular, as busbar resistors. The point is that measurements have shown that the performance of the SQIF can be
20 substantially improved by feeding the driving current through ohmic resistors.

For further refinements of the SQIFs, reference is made to figures 9a to 20 and their associated parts of the
25 description in conjunction with the description of the figures relating to figures 1 to 8.

If the superconducting quantum interference filter is produced using high-temperature superconduction
30 technology, there is no problem in using miniature coolers for permanent and reliable provision of the operating temperature. These miniature coolers typically have dimensions in the region of 10 cm and require powers of less than 20 W, and so it is possible
35 to implement compact antenna systems that also permit the mobile use of the antenna in the most varied applications.

The antenna uses the physical phenomenon of multiple

macroscopic quantum interference to enhance sensitivity. This phenomenon occurs in superconducting circuits that have a special geometry. In the case of the superconducting quantum interference filter, it is
5 used to implement a high power, low noise broadband amplifier. In the simplest case, this amplifier is inductively coupled to a primary, passive antenna structure. Upon incidence of an electromagnetic wave, an antenna current flows in this primary antenna
10 structure. This antenna current generates a magnetic field that permeates the superconducting quantum interference filter. If the superconducting quantum interference filter is suitably supplied with electric current and operated at a suitable operating point, a
15 voltage that depends on the strength of the magnetic field and thus on the strength of the antenna current then drops across the superconducting quantum interference filter. Since the excitation of the superconducting quantum interference filter is caused
20 by the quantum mechanical constraint of the so-called flux quantization, during this process no amount of energy, or only a very small one, is transferred from the primary antenna structure to the superconducting quantum interference filter. The power that is required
25 in order to generate the voltage drop across the superconducting quantum interference filter is drawn from the current source that supplies the superconducting quantum interference filter with operating current. By contrast with conventional
30 antennas, there is no need for energy to be drawn from the antenna, and thus from the incident wave, in order to excite the superconducting quantum interference filter. The reactive currents alone are sufficient for an excitation. The primary antenna is not subjected to
35 loading during the transmission of the information contained in the electromagnetic wave to the superconducting quantum interference filter. Since no energy flows from the primary antenna to the superconducting quantum interference filter, there is

no need for impedance matching. This renders it possible to implement extremely broadband receiving antennas of very high sensitivity when use is made of appropriate primary antenna structures.

5

The primary antenna structure can be composed in this case of superconducting conductor pieces or of normally conducting conductor pieces. A combination of the two is also possible. Superconducting conductor pieces have the advantage that a very high antenna current flows, but in the case of resonance the resonance is very narrowband as a rule. A lesser antenna current typically flows in normally conducting conductor pieces, but the resonances are more broadband. Consequently, a respectively optimum primary antenna structure can be designed depending on the application and required sensitivity.

In order to achieve a high sensitivity of the antenna, the primary antenna structure must be coupled with sufficient strength to the superconducting quantum interference filter. In the simplest case, this can be achieved for a single-ply layer structure by virtue of the fact that the part of the primary antenna that is to be coupled into the superconducting quantum interference filter is guided as tightly as possible past the loops of the superconducting quantum interference filter and has as small a conductor cross section as possible. The magnetic field generated by the antenna current then has a maximum value at the location of the loops. Generally speaking, the coupling is always particularly advantageous whenever the current density distribution of the primary antenna currents is very great or maximum at the location of as many loops of the superconducting quantum interference filter as possible, or in their vicinity. A decoupling structure is provided in order to derive the voltage oscillation (output signal of the antenna) dropping across the superconducting quantum interference filter

in the presence of a time-variant antenna current, and to pass it on to a consumer (receiver). This decoupling structure is used to convert the voltage oscillation into an electromagnetic wave that is passed on to the consumer with the aid of a suitable waveguide such that parasitic losses can be kept as small as possible.

Because of their intrinsic robustness and fault tolerance, superconducting quantum interference filters are particularly well suited as secondary antenna structures or integrated preamplifiers. They offer a range of substantial advantages by comparison with conventional superconducting magnetic field voltage transformers. In particular, superconducting quantum interference filters have a unique characteristic by contrast with conventional SQUIDs or SQUID arrays. Whereas in the case of SQUIDs or SQUID arrays it is necessary because of the periodicity of the characteristic to take particular precautions to shield parasitic magnetic fields, this is not necessary in principle with superconducting quantum interference filters. Again, the transfer factor between magnetic field and dropping voltage can basically be adapted in any required way to the amplifier task to be solved. Because of the robustness of superconducting quantum interference filters, the magnetic field coupled into the superconducting quantum interference filter by the primary antenna structures need not fulfill any condition of homogeneity. The superconducting quantum interference filter can even be excited by strongly inhomogeneous magnetic fields without power loss. In addition, because of their high intrinsic tolerance to parameter imperfections superconducting quantum interference filters are much easier to produce than are SQUID arrays, for example. The intrinsic fault tolerance also has the consequence that the most varied superconducting materials can be used.

A first important aspect of the invention relates to an

antenna for electromagnetic waves composed of at least one superconducting quantum interference filter, primary antenna structures made from normally conducting and/or superconducting materials in which an antenna current is induced upon incidence of an electromagnetic wave, of means for generating an adjustable magnetic field for controlling the superconducting quantum interference filter, of means for supplying the superconducting quantum interference filter with an operating current and of means that are designed to be able to derive as electromagnetic wave a voltage oscillation dropping across the superconducting quantum interference filter, wherein the primary antenna structure is electrically connected to the superconducting quantum interference filter and/or is magnetically coupled thereto, and the superconducting quantum interference filter is supplied with an operating current in such a way and the magnetic field for controlling the superconducting quantum interference filter can be adjusted in such a way that the antenna current flowing in the antenna structure upon incidence of electromagnetic waves excites the superconducting quantum interference filter such that an electric voltage dependent on the antenna current drops across the superconducting quantum interference filter.

An advantageous refinement of the invention provides that the antenna includes additional means for driving a suitable operating point on the characteristic of the superconducting quantum interference filter (for example energizable control lines, magnetic field coils). This renders it possible to operate the superconducting quantum interference filter in a region of the characteristic in which the latter amplifies a signal optimally. In addition, it is possible to drive a region of high linearity of the characteristic in order to minimize undesired intermodulation products. The frequency of the voltage dropping across the

- 14 -

superconducting quantum interference filter is identical to the frequency of the antenna current at such an operating point.

5 It is advantageous for receiving electromagnetic waves of high frequency when the output of the superconducting quantum interference filter is connected to the conventional electronics of the antenna system as directly as possible, that is to say
10 with the smallest possible lead length. This can be achieved with the aid of low temperature transistors such as, for example, HEMT or MOSFET. These can be operated in the cold part of the antenna system, that is to say where the low temperature required for
15 operating the superconducting quantum interference filter prevails. Such a circuit must be thermally insulated at least partially, for example by being arranged at least partially in a vacuum chamber so that it can be brought to the suitable operating temperature
20 by active or passive cooling elements. Suitable in particular as cooling elements are both liquid gases such as, for example, liquid nitrogen or liquid helium, and active coolers such as, for example, Sterling, Joule-Thomson, or pulse tube coolers. These cooling
25 elements can be designed with the aid of methods known from the prior art such that they can extract a sufficient quantity of heat from the thermally insulated part of the circuit and/or parts of the primary antenna structure during operation.

30 The nature of the thermally insulated part of the primary antenna structure at at least one location is such that it is transparent to an electromagnetic wave of the desired frequency. Depending on the frequency
35 range in which the antenna is intended to operate, this so-called window can consist of various materials such as, for example, Teflon, silica glass, aluminum oxide, ceramic etc.

The appropriate electric supply and control lines are provided for operating the superconducting quantum interference filter and the low temperature transistor. These lines should preferably be routed in the region
5 of the thermally insulated part of the circuit in such a way that the heat input from these lines is not too large.

In addition, means are provided for leading off the
10 electromagnetic wave from the circuit. Typically, this is done for high frequencies initially with the aid of microstriplines and then with coaxial cables or other suitable waveguides. However, it is also possible when
15 passing the wave through the thermal insulation to make use of contact-free transitions, for example capacitive couplers.

Superconducting high frequency lines are preferably provided for functionally connecting up primary antenna
20 structure, superconducting quantum interference filter and low temperature transistor, since they are not, or only minimally, affected by losses. However, it can also be advantageous, for example for reasons of cost, to use normally conducting lines or hollow conductors,
25 since these are easier to produce. Since these lines are located at least partially in the region of the thermally insulated part of the circuit and thus are at a very low temperature, even in the case of normally
30 conducting lines there is a substantial advantage over conventional circuits with regard to dissipative losses.

Embodiments in which the lines are normally conducting and superconducting can also be advantageous. If
35 superconducting strip lines are provided with an additional normally conducting coating, the lines can be dimensioned such that the current flows off via the normally conducting part in the case of overloading or of a short circuit, and the superconductor thereby

suffers no damage.

Since antenna systems typically must have a very high level of dynamics, it can be advantageous, moreover, if
5 superconducting quantum interference filters and low temperature transistors can be operated independently of one another in different branches of the circuit. Given the presence of large input signals for which the superconducting quantum interference filter would go
10 into saturation, the branch thereof can be shut down and only the transistor branch can be operated. Given the presence of very small input signals, by contrast, use is made of the branch of the circuit that includes the superconducting quantum interference filter.

15

Thus, it is also possible to conceive an antenna system that uses only the advantages of a low temperature transistor, and therefore comprises no superconducting quantum interference filter.

20

Again, when it is constructed from normally conducting or from normally conducting and superconducting high frequency conductors and includes a branch composed of low temperature transistors without superconducting
25 quantum interference filters, the antenna system can already be operated at temperatures that are higher than the transition temperature of the superconductors used. This has the advantage that less cooling power is required for relatively large input signals, and yet a
30 higher sensitivity is achieved by comparison with transistors operated at normal temperature. Consequently, the sensitivity of the antenna system can be adjusted variably by the temperature by means of a variably adjustable extraction of heat, as is possible
35 without any problem with active coolers, for example.

Since a substantial part of the dissipative losses are caused by power losses in the case of conventional circuits, it is additionally advantageous likewise to

cool at least the high frequency lines that from the primary antenna structure to the respectively first active component, that is to say superconducting quantum interference filter or low temperature transistor.

A very effective form of thermal insulation is, for example, accommodating the circuit or parts of the circuit in an evacuable chamber. Such chambers can be designed such that they maintain the vacuum and thus the thermal insulation over a number of years. Particularly when active coolers are used, a cooling finger can be mounted in a vacuum chamber cost effectively and in a space saving fashion.

The thermal insulation of the circuit or parts of the circuit is advantageously itself already designed as part of the primary antenna structure. This can be performed, for example, by using dielectric material (for example Teflon foam) for the thermal insulation and fashioning the latter geometrically such that the incident electromagnetic wave can be focused onto the superconducting quantum interference filter or another coupling structure. Again, the thermal insulation can be performed by means of a metallic vacuum chamber. The metallic vacuum chamber itself can then, in turn, be designed as part of the primary antenna structure. For example, the metallic vacuum chamber can be designed as a waveguide or waveguide termination supplied from a primary aperture. Again, the vacuum chamber can advantageously be provided with high frequency windows that act as primary aperture antennas.

In a preferred embodiment, the entire dissipative losses and thus the inherent noise of the system can be minimized by thermal insulation and cooling of the entire circuit composed of superconducting quantum interference filter, low temperature transistor and primary antenna structure. This produces an apparatus

with maximum performance.

In a particularly advantageous embodiment, especially for the GHz frequency range, the decoupling part of the primary antenna structure is designed as a hollow conductor termination into which an elongated antenna element, for example an antenna pin projects. With the aid of this antenna pin electrically insulated from the hollow conductor, the electromagnetic wave is decoupled directly with low loss, particularly when the hollow conductor termination is at a low temperature, or is transported to the input of an active component with the aid of a suitable line. By connecting a plurality of active components in series, it is already possible to achieve in the cold part of the circuit an amplification of the antenna signal that is of very low noise. The thermal insulation of the circuit and of the hollow conductor termination is advantageously performed by means of an evacuable chamber.

In a development of the embodiment described in the last paragraph, the hollow conductor termination is provided with two, in particular pin-shaped, antenna elements that are fitted offset from one another. This has the advantage that two independent polarizations can be decoupled from the hollow conductor separately from one another. The separate coupling to in each case one active component permits the separate processing of the two polarizations.

For applications in which the overall space of the antenna system is to be as small as possible, it is advantageous to use arrays of aperture or slot antennas as primary antenna structure, particularly in the range of GHz frequencies.

Because of the high sensitivity of superconducting quantum interference filters, the size of the overall aperture is generally given in the case of antenna

arrays only by the desired directional characteristic of the antenna system. The physical aperture can therefore be composed both of one-dimensional, two-dimensional and of three-dimensional arrays of primary
5 antennas. The assembly of the output signals of the individual antennas of the antenna array can be performed by means of a structure of hollow conductors or microstriplines. Particularly powerful antenna systems also result when the primary antenna structure
10 is composed of superconductors, particularly when the output signals of the individual antennas of the array are assembled with the aid of superconducting high frequency lines. If use is made in such arrays of additional active components such as, for example,
15 phase shifters to control the directional characteristic, a further advantage arises since these components also produce very much less noise at low temperatures, and operate more efficiently.

20 The directional characteristic of the antenna system can also be modeled very effectively with the aid of primary antenna structures that are designed as arrays of patch antennas. In particular, a separation of polarization can already be performed on the plane of
25 the individual antennas given appropriate design of the individual antennas of the antenna array.

The use of electromagnetic lenses as primary antenna structure is advantageous when signals of different
30 polarization or signals with temporally variant polarization are to be received simultaneously by the antenna system. Since electromagnetic lenses retain the polarization of the incident wave, tracking on the plane of the primary antenna structure is eliminated in
35 the event of temporal changes in the polarization of the incident wave.

For applications in which very large instantaneous bandwidths are required, it is advantageous to use horn

antennas as primary antenna structure. By means of appropriately dimensioned hollow conductor structures, the output signal of the horn antennas can be coupled very efficiently to a superconducting quantum interference filter.

Very large instantaneous bandwidths can also be achieved by using parabolic antennas. Given the same effective aperture, a quantum antenna thus designed is more powerful by a multiple than a conventional parabolic antenna of the same size, particularly in the GHz frequency range. In addition, a very high directional effect of the antenna system can be achieved with the aid of arrays of parabolic antennas.

In a further advantageous refinement of the invention, the electrodes of the superconducting quantum interference filter themselves are designed as the primary antenna structures. This refinement has the advantage that the magnetic field of the antenna current flowing in these structures is coupled directly into the loops of the superconducting quantum interference filter. The extent of the antenna can thereby be further reduced.

Since the superconducting quantum interference filter can have different impedances depending on the type of Josephson junctions used, it is advantageous, furthermore, to equip the antenna circuit with an impedance transformer which transforms the impedance of the superconducting quantum interference filter to the impedance of a waveguide that leads off the signal.

It is known that the Josephson junctions that the superconducting quantum interference filter includes are nonlinear oscillators in which a high frequency oscillating current flows. It is likewise known that such Josephson oscillators can also be synchronized (lock) onto the frequency of an externally irradiated

5 wave. Because of the Josephson relation, the DC voltage dropping across the junctions is then rigorously proportional to the frequency of the irradiated wave. If the information to be received in the incident wave is coded via the frequency (frequency modulation), the time characteristic of the DC voltage dropping across the junctions and thus of the DC voltage dropping across the superconducting quantum interference filter then corresponds to the information content of the incident wave. Because of the uniqueness of the characteristic of the superconducting quantum interference filter, the frequency of the Josephson oscillation in the superconducting quantum interference filter can be adjusted very exactly by appropriate selection of the operating current supplying the superconducting quantum interference filter, and of a magnetic control field. On the one hand, it is thereby ensured that the superconducting quantum interference filter locks onto the carrier frequency of the incident wave, while on the other hand this frequency can be changed very easily.

25 In all cases where the carrier frequency oscillates quickly by comparison with the modulation frequency, the received signal is automatically demodulated in this operating mode of the antenna, and can be processed further directly. The embodiment specified in claim 5 is therefore suitable in particular for the frequency range between 1 GHz and 100 GHz and is very advantageous because the conventionally required downmixing of the signal with the aid of local oscillators is eliminated.

35 Moreover, because of the simpler method of production, it is advantageous when the primary antenna structure and the superconducting quantum interference filter are located on a common carrier (chip). This permits the fabrication of integrated antenna chips with the aid of known methods of thin film technology.

In specific wavelength regions and given the use of materials that do not permit multilayer technology, it can, however, also be advantageous to apply the two
5 functional elements of the antenna to different carriers. These carriers can then be coupled with the aid of electric wires. This arrangement is also advantageous when the primary antenna structure is to be aligned spatially in a fashion other than the
10 superconducting quantum interference filter because of the overall space, because of the reduction of external interference or because of other reasons. A further advantage consists in that different materials can be used for the different carriers.

15

When the antenna must have a very high sensitivity and no multilayer technology is available, it is also possible to achieve efficient coupling between primary antenna structure and superconducting quantum
20 interference filter by virtue of the fact that the carriers of the two functional elements are fitted directly one above another and, for example, bonded to one another.

25 Superconducting electronic components require very low operating temperatures. The outlay required for producing and maintaining these temperatures rises very sharply the lower the operating temperature of the superconductors used. In principle, all known
30 superconductors from which it is possible to produce Josephson junctions can be used for the antennas. However, it is advantageous to use materials in the case of which the operating temperature is as high as possible. These known materials are so-called high
35 temperature superconductors whose operating temperatures reach over approximately -200°C and that can be cooled cost effectively with the aid of liquid nitrogen. The known simplest and most cost effective method of producing Josephson junctions from such

- 23 -

materials is the method of grain boundary junctions. Although these junctions have very inhomogeneous parameters and are therefore otherwise very little suited to quantum electronic circuits, because of the design-induced very high fault tolerance of superconducting quantum interference filters they can, however, be used without any problem in the case of the antenna.

Moreover, it is advantageous when the primary antenna structures also consist of high temperature superconductors. Since a super conductor has the property that electric fields vanish completely in its interior, higher antenna currents flow as a rule in such structures than in normally conducting structures. This increases the sensitivity of the antenna.

If the antenna consists of superconductors or of superconductors and normal conductors, it can also be operated actively, that is to say with the aid of a cooler, without the use of liquid coolants. Whereas liquid coolants must be replaced regularly and the operating times are thereby very restricted, coolers can make the required operating temperatures available permanently and reliably. Because of the use of superconducting quantum interference filters that have a very high level of dynamics, the electromagnetic interference caused by the coolers does not lead to a loss in performance of the antenna. Given the use of high temperature superconductors, the typical powers that are required to operate a cooler are very low and are in the range of 20 W - 40 W. Such powers can also be made available in mobile use, mostly without any problems.

During operation of the antenna in a cooler, it is favorable when the antenna is located on a chip that is fitted directly on the cooling finger of the cooler. The required cooling power is substantially reduced

- 24 -

thereby, and it is possible to use very small coolers. The required cooling power is further reduced when the output signal of the antenna is led off the antenna chip with the aid of a waveguide that conducts heat
5 poorly.

Moreover, it is advantageous when the waveguide is used simultaneously for supplying the antenna with electric energy. This saves additional cables that would
10 increase the thermal loading and thus the required cooling power.

Particularly in the case of receive frequencies in the GHz range, it is advantageous for the primary antenna
15 structure to be of resonant design. This is done in the simplest way by using antenna rods or arrays whose length is in the region of half the wavelength of the incident wave. In this case, large reactive currents flow in the antenna structures, something which sharply
20 increases the sensitivity of the antenna. It is also possible in this case to use patch or patch-like antennas whose dimensions are in the region of half the wavelength of the incident wave.

25 Since no impedance matching of the primary antenna structure is required, it is also possible to use magnetic loop antennas as primary antenna structures. Since the superconducting quantum interference filter is extremely low in noise, such loop antennas can also
30 be used up to very high frequencies. The advantage of loop antennas resides here in that their dimensions can be very much smaller than the wavelength of the incident wave. Since it is only the antenna currents that are important, both open and closed loop antennas
35 can be used.

Because of the very high sensitivity of superconducting quantum interference filters, it is also possible to use individual or arrays of electrically small

- 25 -

antennas. The dimensions of such primary antennas are certainly smaller than the wavelength of the incident wave, but even without a matching network the antenna currents induced in them generally suffice to excite
5 the superconducting quantum interference filter sufficiently.

For specific applications, in particular in the case of very high frequencies, it can also be advantageous to
10 use a dielectric layer as primary antenna structure. Instances of resonance likewise occur in such layers, and surface currents flow that can be coupled into the superconducting quantum interference filter. Combinations of dielectric layers with conducting
15 structures are also possible.

The primary antenna structure can also be composed of a resonant cavity inside which the superconducting quantum interference filter is fitted at a suitable
20 location on maximum magnetic field strength. Specific modes can then be selected depending on the position of the superconducting quantum interference filter inside the cavity. This can be advantageous, in particular, for polarization separation and for further enhancement
25 of the sensitivity.

If frequency filter elements are additionally fitted in the primary antenna structure or between primary antenna structure and superconducting quantum
30 interference filter, appropriate frequency bands can then be selected in a targeted fashion. It is thereby possible to implement a multiband antenna. This can be of great advantage whenever very large differences prevail in the signal strengths of the incident waves
35 simultaneously in different frequency bands. Excessively strong signals in specific bands that would mask the weak signals to be received can thereby be eliminated.

- 26 -

The performance of the antenna can be enhanced by installing additional active and/or passive electronic components. This is the case, in particular, when the transfer of the output signal of the antenna to the conventional receiving electronics is to be performed directly at the output of the superconducting quantum interference filter in order to avoid parasitic losses. Propagation time losses can be minimized thereby, in particular in the case of very high frequencies. Since the antenna itself takes up only very little overall space, the additional electronic components can be accommodated in the cold part of the circuit. Given appropriate selection of the components, there is thus a substantial reduction in the thermal noise, and the sensitivity of the overall system of antenna and receiver rises.

The sensitivity can also be increased by the use of two or more inventive antennas in an antenna array. Such antenna arrays can be cooled jointly by a cooler, or each antenna has its own cooler. Antenna arrays have the advantage that the sensitivity of the overall system rises sharply with the number of antennas used (supergain). In addition, strongly pronounced directional characteristics can, moreover, be produced by an appropriate arrangement of the individual antennas in the array (superdirectivity).

If inventive antennas are arranged in an antenna array, and the output signals of the individual antennas are superposed in a phase-sensitive fashion with the aid of suitable means such as, for example, electronically controllable phase shifters or delay lines, to form an aggregate signal, this has the advantage, furthermore, that the spatial position of the transmitter of the received electromagnetic wave can be determined very exactly. If the location of the transmitter is known, this method can be used, on the other hand, to discriminate between different transmitters. Since

inventive antennas draw no energy, or only a very slight amount, from the electromagnetic field, the determination of the position of inventive antennas is, by contrast, exceptionally difficult.

5

A particularly cost effective and efficacious production method for the antenna can be used whenever the circuit is designed using the known microstripline technology. In this technology, electrode and counter-
10 electrode of the circuit are not both fitted on the surface of a carrier (chip), but the carrier is provided with a base plate that forms the counter-electrode. It is then only the conductor tracks of the electrode that are situated on the surface of the
15 carrier. This method permits a very high integration density on the carrier and minimizes the losses because the electric fields are substantially concentrated in the substrate of the carrier. If the antenna chip is operated on the cooling finger of an active cooler, it
20 is also possible for this cooling finger itself to be used as base plate (counter-electrode).

Particularly at frequencies of less than 1 GHz, it is advantageous to equip the superconducting quantum
25 interference filter with a feedback loop. In this case, the output signal of the superconducting quantum interference filter is fed back to the superconducting quantum interference filter either positively - to increase the sensitivity - or negatively - to stabilize
30 the operating point. In the case of negative feedback, the circuit can be operated in this case such that the operating point on the characteristic of the superconducting quantum interference filter remains constant. In this case, the feedback current or the
35 feedback voltage includes the information of the incident wave.

Because of the reciprocity of reception and transmission of electromagnetic waves, the antenna can

also be designed in such a way that it emits an electromagnetic wave. If the impedance of the superconducting quantum interference filter is tuned to the radiation impedance of the primary antenna field, the superconducting quantum interference filter then impresses on the primary antenna array a voltage oscillation fed into it. The primary antenna array then emits an electromagnetic wave. It is true that the emitted power is low in general because of the functional principle of the antenna, but this embodiment can be advantageous when, in addition to reception, the aim is to fulfill still further tasks, for example the synchronization of antennas operating spatially separately from one another.

15

The following citations may be specified in relation to the prior art:

- J.D. Kraus, *Antennas*, 2nd Edition, McGraw-Hill, 1988.
- S. Ramo, J.R. Whinnery, T. VanDuzer, *Fields and waves in communication electronics*, 3rd edition, John Wiley, 1994.
- A. Barone and G. Paterno, *Physics and Applications of the Josephson Effect*, John Wiley, 1982.
- J. Hinken, *Superconducting Electronics*, Springer, 1988.
- 25 K.K. Likharev, *Dynamics of Josephson junctions and circuits*, Gordon and Breach, 1991.
- R.D. Parmentier and N.F. Pedersen, *Nonlinear superconducting devices and High-Tc materials*, World Scientific, 1995.
- 30 J.C. Gallop et al., *SQUIDS, the Josephson Effect and superconducting electronics*, Hilger, 1991.
- H. Weinstock (editor), *SQUID Sensors: Fundamentals, Fabrication and Applications*, Kluwer Academic Publishers, 1996.
- 35 J. Oppenländer, Ch. Häußler and N. Schopohl, *Phys. Rev. B* 63, 024511 (2001).
- Ch. Häußler, J. Oppenländer and N. Schopohl, *J. Appl. Phys.* 89, 1875 (2001).
- J. Oppenländer, T. Träuble, Ch. Häußler and N. Schopohl,

- IEEE Trans. Appl. Supercond. 11, 1271 (2001).
J. Oppenländer, Ch. Häußler, T. Träuble and N. Schopohl,
Physica C 368, 119 (2002).
V. Schultze, R. Ijsselsteijn, H.-G. Meyer,
5 J. Oppenländer, Ch. Häußler and N. Schopohl, IEEE
Trans. Appl. Supercond. 13, (to appear June 2003).

Drawings:

- 10 A plurality of exemplary embodiments are illustrated in
the drawings and explained in more detail with a
specification of further advantages and details.
In the drawings:
figure 1 shows the typical magnetic field voltage
15 characteristic of a superconducting quantum
interference filter, and the definition of a suitable
operating point,
figure 2a shows a typical circuit design of an
inventive antenna with superconducting quantum
20 interference filter and coupled primary antenna
structure,
figure 2b shows an inventive antenna in the case of
which the electrodes of the superconducting quantum
interference filter are themselves designed as primary
25 antenna structures,
figure 2c shows an antenna circuit in the case of which
the output signal of the antenna is decoupled via a
coplanar impedance transformer,
figure 2d shows an antenna with grain boundary
30 Josephson junctions, designed using high temperature
superconductor technology,
figure 3 shows the diagrammatic illustration of the
operation of an inventive antenna in an active cooling
system,
35 figure 4a shows a primary antenna array with
geometrical resonance,
figure 4b shows an inventive antenna in the case of
which the primary antenna structure is designed as
resonant cavity,

- 30 -

figure 4c shows an antenna circuit designed using microstrip technology,
figure 5 shows the highly diagrammatic illustration of an antenna structure for electromagnetic waves of high
5 frequency,
figure 6 shows a diagrammatic illustration of an antenna structure having a vacuum chamber,
figure 7a shows an embodiment comparable to figure 5 but having an array of aperture antennas,
10 figure 7b shows an embodiment in an illustration corresponding to figure 7a an antenna having a parabolic mirror,
figure 8 shows an embodiment of an antenna having an array of patch antennas, in a diagrammatic illustration,
15 figures 9a and b show a multicell SQIF of parallel-connected Josephson junctions, in a spatial arrangement,
figure 10 shows the circuit diagram of an equivalent superconducting circuit of a quantum interference
20 filter with $N = 10$ junctions,
figures 10a to f show circuit diagrams of further superconducting circuits,
figure 11 shows a voltage response function for a SQIF with $N = 30$ junctions,
25 figures 12a and b show periodic voltage response functions for conventional SQUIDs,
figure 12c shows the voltage response function of a superconducting quantum interference filter,
figure 12d shows the voltage response function of a
30 SQUID and a SQIF,
figure 13 shows a symbolically illustrated spatial arrangement of a superconducting quantum interference filter with an indication of the vector basis of the three-dimensional space,
35 figure 14 shows a diagrammatically illustrated, flat superconducting quantum interference filter with a magnetic field compensation device,

figure 15 shows a superconducting quantum interference filter with a parallel-connected control line, in a diagrammatic view,
figure 16 shows a diagrammatically illustrated
5 networking of SQIF sections,
figures 17a to c show diagrammatically illustrated, flat, superconducting quantum interference filters with a geometrical arrangement for minimizing the influence of self-fields,
10 figure 18a shows a network made from cells connected in series,
figure 18b shows a voltage response function corresponding to a network in accordance with figure 18a, in the case of a series circuit for $N = 100$
15 cells,
figure 18c shows a current-voltage characteristic of a network in accordance with figure 18a, when it is operated as a current amplifier with the aid of a compensation circuit,
20 figure 19a shows, in the top picture, the typical voltage response function of a conventional SQUID with the associated frequency spectrum in the bottom picture,
figure 19b shows, in the top picture, a typical voltage
25 response function of a network made from identical cells, and the associated frequency spectrum in the bottom picture,
figure 19c shows, in the top picture, the voltage response function of a superconducting quantum
30 interference filter without periodicity, and the associated spectrum in the bottom picture,
figure 19d shows, in the top picture, a voltage response function and, in the bottom picture, the associated spectrum of a quantum interference filter
35 which has a technically conditioned, comparatively large periodicity, and
figure 20 shows a diagrammatically illustrated, flat superconducting quantum interference filter with a superconducting pick-up loop which amplifies the

primary magnetic field at the location of the filter.

Description of the exemplary embodiments:

5 A typical characteristic of a superconducting quantum
interference filter (SQIF) is illustrated in figure 1.
If the SQIF is supplied with an electric current of
suitable strength, a voltage dependent on the magnetic
field that permeates the SQIF drops across the SQIF. By
10 contrast with the known, conventional SQUIDs, the
characteristic is not periodic, but has an unambiguous
minimum in the vanishing magnetic field $B=0$. Since the
characteristic is not sinusoidal, as with the
conventional SQUIDs or SQUID arrays, the linearity of
15 its edge 1 or 1* is very high. By setting a suitable
operating point 2, something which can be performed,
for example, by applying a constant magnetic field
(control field), the SQIF can be operated with high
linearity as an amplifier or as a current-to-voltage
20 converter.

A typical antenna circuit having the features of
claim 1 is illustrated in figure 2a. The SQIF 3 is
coupled inductively to a primary antenna 4. Upon
25 incidence of an electromagnetic wave, an antenna
current flows through the primary antenna 4. Since the
antenna is guided spatially in a specific region
tightly along the SQIF, this antenna current generates
a magnetic field at the location of the SQIF loops. If
30 the SQIF is operated at a suitable operating point 2, a
voltage whose direction depends on the direction of the
antenna current drops across the SQIF. In this way, the
SQIF generates a voltage oscillation that corresponds
to the oscillation of the antenna current. By suitable
35 selection of the number of the SQIF loops 3, it is
possible in principle to adjust the range of the
voltage dropping across the SQIF as desired, and thus
to select any desired dynamic range of the current-to-
voltage converter. The magnetic field required for

- 33 -

controlling the SQIF can result from a field coil or from a control line 5 loaded with a suitable current. This line can also be used to stabilize the operating point or to feed back into the SQIF the voltage signal generated by the SQIF, for example, with the aid of an electric resistor. The electrodes 3a and 3b are fitted on the SQIF so that the voltage oscillation dropping across the SQIF can be passed on to a receiver. These electrodes are connected to a waveguide suitable for the respective frequency range and which passes on the output signal of the SQIF to the receiver in a fashion as free from loss as possible.

In the simplest case, the SQIF is operated without controlling the operating point at the minimum of the characteristic. The voltage signal generated by the SQIF then has double the frequency of the oscillation of the antenna current. It is possible, in particular, in this operating mode of the antenna to receive binary phase-coded signals very easily and reliably.

A parallel SQIF is designed in figure 2b in such a way that the electrodes of the SQIF themselves constitute the primary antenna structure. Upon incidence of an electromagnetic wave of appropriate polarization, an antenna current is induced in the electrode 6. This antenna current couples a magnetic field directly into the loops 7 of the SQIF. The output signal on the SQIF is led off with the aid of the electrodes 7a and 7b. The electrodes 6 can also be designed in this case as a closed loop (an embodiment not illustrated). In an embodiment that is likewise not illustrated, the electrodes of the individual SQIF loops or of groups of loops are constructed as respective individual antenna rods or antenna structures. This embodiment has the advantage that the individual antenna structures can be of different design, and thus permit the bandwidth of the antenna to be adjusted.

- 34 -

figure 2c illustrates an antenna circuit in the case of which the output signal of the SQIF 8 is decoupled via a coplanar stripline 9. Located at the end of the coplanar stripline 9 is a coplanar impedance transformer structure 10 that transforms the impedance of the SQIF to the impedance of the directed waveguide 11. Losses owing to impedance matching of the SQIF and waveguide or consumer (receiver circuit) can thereby be avoided.

10

The primary antenna structure is composed in figure 2c of antenna rods 12 at whose end a spiral winding 13 is fitted. The spiral windings 13 are fitted directly above the loops of the SQIF 14, something which is possible, for example, without any problem in multilayer thin film technology. The magnetic field generated by the antenna currents is coupled very effectively into the SQIF in such arrangements.

20 Illustrated in figure 2d is an antenna circuit in the case of which the SQIF and primary antenna structure have been produced from high temperature superconductors (here YBCO). The Josephson junctions are grain boundary junctions here. These grain boundary junctions arise when a conductor track 15 crosses the grain boundary 16. Because of the simple design of the junctions, the scatters of the junction parameters are very high. By contrast with conventional quantum electronic circuits, this does not, however, influence the performance of the SQIF. The line 17 is part of the primary antenna structure and coupled to the SQIF inductively.

35 figure 3 shows an exemplary embodiment in which an antenna chip is operated in a small cooler. The antenna circuit 18 is located on chip. The chip itself is thermally coupled to the cooling finger 19 of the small cooler 20. The antenna chip and small cooler are located in a vacuum flask 21 for the purpose of thermal

- 35 -

insulation. The vacuum flask 21 has a window 22 transparent to electromagnetic waves. The output signal of the antenna is led off from the antenna chip via a vacuum-tight waveguide 23 that is a poor conductor of heat. Because of the large dynamic range of SQIFs, it is possible to use coolers of the most varied design.

In an embodiment that is not illustrated, the cooling finger on which the antenna chip is located is itself designed as primary antenna structure. Since the carrier (substrate) couples the cooling finger magnetically and electrically to the SQIF in any case, this embodiment has the advantage that it is not mandatory for a primary antenna structure to be located on the chip.

In figure 4a, the primary antenna array 24 is composed of line pieces 25 whose length has been selected as half the wavelength of the electromagnetic wave to be received. This embodiment has the advantage that in the case of resonance high reactive currents flow in the antenna structure and thereby excite the SQIF 26 optimally. By appropriate design of the antenna array with antenna pieces of easily distinguishable length or easily distinguishable spacing from one another, it is possible to model a frequency band within which the antenna is particularly sensitive.

figure 4b illustrates an embodiment in the case of which the SQIF 27 is located in a resonant cavity 28 (waveguide open at one end). In addition to the enhancement of the sensitivity, this has the advantage that specific electromagnetic modes, for example for the purpose of polarization separation, can be selected using the position of the SQIF relative to the cavity.

In an embodiment that is not illustrated, several or many antennas are arranged in antenna arrays. This has the advantage that the sensitivity grows with the

- 36 -

number of the antennas, supergain effects can be used, and a specific directional characteristic can be modeled.

5 In an embodiment that is likewise not illustrated, the elements of such an antenna array are operated in a phase-controlled fashion (phased array antenna). For this purpose, suitable phase shifters are used to superpose the output signals of the various antennas
10 having different phase angles. This has the advantage that it is thereby possible to select the spatial position of the transmitter of the received electromagnetic wave. In particular, when the spacings between the antennas in the antenna array are selected
15 incommensurably, it is possible to use a phase-sensitive superposition of the output signals of the various antennas of the antenna array to determine the spatial position of the transmitter of the electromagnetic wave. Because of the functional
20 principle based on a quantum mechanical effect, the very high linearity of the active antenna and the low operating temperature, the phase noise of antennas according to the invention is very low. In addition to the very high sensitive by comparison with conventional
25 antennas, this low phase noise is a further great advantage of antennas according to the invention.

figure 4c illustrates an exemplary embodiment of the antenna in microstripline technology. The SQIF 29 and
30 the primary antenna structure 30 are located on the top side of a substrate 31. The electrically conducting base plate 32 forms the counter-electrode. The voltage dropping across the SQIF 29 on excitation is capped between the electrode 33 and the base plate 32. The
35 electrode 34 serves the purpose of supplying power to the SQIF and/or of connection to the base plate. In the case of substrates that permit this, it is also possible to make use for this purpose of plated-through holes (vias) to the base plate. When use is made of

- 37 -

multi-layer technologies, the base plate (counter-electrode) can also be formed by conducting layer structures on the surface of the substrate.

- 5 If the active antenna or the antenna chip is operated in an active cooling system, the cooling finger itself, on which the active antenna is fitted, can also be used as counter-electrode (base plate). Since the cooling finger typically consists of metals that conduct heat
10 very well, and therefore generally of materials that are also very good electric conductors, such a design has great advantages in terms of production engineering.
- 15 Figure 5 illustrates an exemplary embodiment for electromagnetic waves of high frequency. The primary antenna structure is composed of a horn antenna 60 and a hollow conductor termination 55 with antenna pin 54. The antenna pin 54 decouples the incident wave from the
20 hollow conductor termination. The antenna pin 54 is connected directly to the input of a superconducting quantum interference filter 51. A further amplification of the signal is achieved by a low temperature transistor 52 that is connected as amplifier. The
25 superconducting quantum interference filter 51 and the transistor 52 are interconnected via a microstripline 53a. The amplified signal is fed into a waveguide 56 via a further microstripline 53b. The hollow conductor terminal 55 and the circuit composed of antenna pin, superconducting quantum interference filter and low
30 temperature transistor are located inside a thermal insulation 57 that has a high frequency window 59. The waveguide 56 leaves the thermal insulation 57 via a feed through 56a. The control and supply lines 61 of the circuit are guided through the feed through 61a.
35 The circuit 51, 52, 53a, 53b is coupled via the hollow conductor termination 55 and a thermal conductor 58 to a cold reservoir (not illustrated) (passive cooling, for example by means of liquid gas), or to an active

- 38 -

cooler (active cooling, for example Sterling or pulse tube cooler).

5 The antenna pin 54 and the microstriplines 53 can be of normally conducting and/or superconducting design. The hollow conductor termination 55 can also be constructed from superconducting materials for the purpose of further depressing the inherent noise. The active or passive cooling elements should preferably be designed
10 with reference to their cooling power such that the superconducting transition temperature can be achieved at least at the location of the components constructed from superconductors.

15 The thermal insulation 57 can be designed as a vacuum chamber. The high frequency window 59 then acts simultaneously as vacuum window, and the feed throughs 56a and 61a are designed as vacuum-tight feed throughs. Vacuum chambers have the advantage of very good thermal
20 insulation, and permit the antenna to be operated at very low temperatures.

Figure 6 shows an exemplary embodiment in which the thermal insulation 57 is designed as a metallic vacuum
25 chamber 55. The superconducting quantum interference filter is located on a chip that is mounted on the cooling finger 58 of an active cooler. It is connected to a low temperature transistor 52 via a microstripline. The amplified signal is fed into a
30 waveguide 56 via the microstripline 53 and led to the consumer. The lines 61 serve the purpose of supplying the circuit with operating and control currents and voltages. The vacuum feed through 61a is designed as a glazed bushing.

35

The first part of the primary antenna structure is composed of a dielectric lens 59 that serves simultaneously as vacuum window. The incident wave is focused directly onto an onchip antenna structure that

- 39 -

is coupled directly to the superconducting quantum interference filter. Given appropriate design of the vacuum chamber as waveguide, and thus as further part of the primary antenna structure, it is thus possible
5 to prevent the propagation of parasitic modes. The integration of the low temperature transistor directly in the case of the superconducting quantum interference filter has, besides the very low inherent noise of the system, the additional advantage that the losses
10 necessarily occurring at the vacuum feed through 56a of the waveguide 56 do not worsen the signal-to-noise ratio.

Figure 7a is a sketch of an embodiment in which the
15 primary antenna structure is composed of an array of aperture antennas 63, a hollow conductor structure 62 that assembles the signals of the individual aperture antennas, and a hollow conductor termination 55 with decoupling pin 54. The space required by this design is
20 typically substantially less than the space required for the exemplary embodiment of figure 5.

In figure 7b, a part of the primary antenna structure is designed as a parabolic mirror 64 at whose focus
25 there is located a further, small mirror 65, which focuses the incident wave onto the hollow conductor termination 55. The high frequency window 59 is located at the center of the parabolic mirror 64. This embodiment has the advantage that shading and
30 diffraction effects can be kept very small by means of the secondary mirror 65. Also possible, however, are embodiments in which the circuit and the hollow conductor termination themselves are mounted correspondingly at the focal point of the parabolic
35 mirror.

figure 8 shows an exemplary embodiment in which the primary antenna structure is composed of an array of patch antennas 66 and microstriplines 67 that assemble

- 40 -

the signals of the individual patch antennas. The assembled signals are fed into a superconducting quantum interference filter 51 whose output is connected to a two-stage transistor amplifier 52. The output signal of the circuit is fed into a waveguide 56. The operating currents and voltages are fed to the active components via the lines 61 and capacitors and inductors. In this exemplary embodiment, the entire circuit and the entire primary antenna structure are located in a thermal insulation 57. The coupling to the cold reservoir is typically performed from below, while the high frequency window is located above the antenna array.

The exemplary embodiments for a SQIF sketched in figure 9 are explained below in more detail. The illustrations in accordance with figures 9a and 9b show the physical realizations of simple multiloop networks 101, 102 with Josephson junctions 103, 104 whose geometry and detection response constitute superconducting quantum interference filters. The networks 101, 102 comprise superconducting regions 105, 106 which are interconnected by the Josephson junctions 103, 104. The superconducting regions can in this case consist both of low-temperature superconducting materials and of high-temperature superconducting materials. Again, the operability of the network does not depend on the specific design of the Josephson junctions (for example break junctions, step junctions, microbridges, etc.). The quantitative data for the exemplary embodiments relate, for example, to the parameter specifications of the typical Josephson junctions corresponding to the prior art and made from conventional superconductors, for example Josephson junctions produced using $Nb/A10_x/Nb$ technology such as are used in a conventional SQUID magnetometer. Such junctions have typical critical currents i_c of approximately 200 μA and a normal resistance r_n which is defined by an ohmic resistor, connected externally

- 41 -

in parallel, of, for example, approximately 1Ω , and a geometrical shunt capacitor c_n in the picofarad range. The spatial extent of the network can be comparable to the conventional SQUIDs. The dimensions of the cells of the network are then in the range of μm to mm . However, depending on application, SQIF networks can also have cells with larger or smaller dimensions.

In figures 9a and 9b, the superconducting quantum interference filter is made up of a flat network 101, 102 made from Josephson junctions 103, 104, which has cells 107 to 113 or 107a to 114a, which in each case have two contacts in the current direction. The circuit diagram of the equivalent superconducting circuit of a SQIF with $N = 10$ contacts is illustrated in figure 10. The network is characterized in that the individual areas of cells 101 to 109 are of different size, and the surface areas $|a_j|$ of the various network cells are not in a rational ratio to one another. 114 denotes equivalent resistors. The cross marks the Josephson junctions 101 to 110. The dashed and dotted box around the Josephson junctions indicates the region connected in a superconducting fashion. The bold lines inside this box symbolize superconducting connections. Under these preconditions, in particular, the physical effect of multiple macroscopic quantum interference arises in such a way that the quantum mechanical wave functions which describe the state of the individual superconducting regions of the network interfere constructively only when the magnetic flux permeating the network vanishes identically. The macroscopic overall state of the network can be read out by virtue of the fact that the network is driven by a constant or a time-variant supercritical current I_0 . The result is a voltage response function $\langle V(\vec{B}; I_0) \rangle$, which has only a global absolute minimum at $|\vec{B}| = 0$ and rises monotonically with increasing $|\vec{B}|$ until, finally, a value $V_{\text{max}}(\vec{B}; I_0)$ which remains approximately constant is

- 42 -

reached, said value no longer changing substantially as $|\vec{B}|$ continues to increase, as is illustrated diagrammatically in figure 11 for a network with $N = 30$ junctions. The voltage response function of the superconducting quantum interference filter is thereby unique for a magnetic field \vec{B} with $0 < |\vec{B}| < |\vec{B}|_s$ present at the location of the network. The result for $|\vec{B}| > |\vec{B}|_s$ is a voltage response fluctuating close to V_{\max} whose variance quickly becomes smaller with increasing N , V_{\max} being the global absolute maximum of the voltage response function (compare figure 11). The measuring range of the superconducting quantum interference filter is determined by the spacing between the global minimum $V_{\min} = \langle V(|\vec{B}|=0; I_0) \rangle$ and $V_{\max} - \Delta V$, $-\Delta V$ designating the spacing between the smallest local minimum for $|\vec{B}| > |\vec{B}|_s$ and V_{\max} . The value $|\vec{B}| = 0$ therefore defines the lower bound of the measuring range, and the value of $|\vec{B}|$, at which the voltage response reaches the value $V_{\max} - \Delta V$, defines the upper bound $|\vec{B}|_s$ of the measuring range (compare figure 11). The value of ΔV depends in this case on the number of the cells which the network has, and on the selection of the surface areas of the individual network cells or on their ratios to one another. This is explained in more detail in the theoretical description, following in the next paragraph, of the superconducting quantum interference filter.

Sketched in figures 10b to f are embodiments of networks in which the individual network cells comprise a further junction or a plurality of further junctions in addition to the two functionally required junctions 103 in accordance with figure 10a. The junctions are denoted in this case as crosses. The bold lines mark superconducting connections. The thin lines can be normally conducting or superconducting. The additional junctions can be provided in this case in the individual network cells in such a way that none or only a small part of the driving current flows through

them (not directly energized junctions 103a) and, on average, there is also no time-variant voltage drop. The screening currents induced by a magnetic field in the individual cells can be reduced by such
5 embodiments. Furthermore, the influence of self-inductances and mutual inductances can be reduced thereby. The additional junctions can, however, also be provided such that they are flowed through by the driving current I (directly energized junctions 103b).
10 Also possible is a combination of one junction 103a or a plurality of junctions 103a and one junction 103b or a plurality of junctions 103b in individual cells or a plurality of cells of the network.

15 Illustrated in figures 12a to 12c for the purpose of direct comparison is the voltage response function of a conventional single-loop SQUID (figure 12a), of a conventional multiloop SQUID with regular standard cells of identical size (figure 12b) and of a
20 superconducting quantum interference filter (figure 12c). Said example of a single-loop SQUID comprises a single superconducting loop or a cell with two Josephson junctions, the multiloop SQUID made from a parallel arrangement of such identical single-loop
25 SQUIDs ("conductor array") with $N = 30$ junctions, and the superconducting quantum interference filter likewise has $N = 30$ junctions. The driving current I_0 is selected for all three arrangements such that for $|\vec{B}| = 0$ the current per junction has the value $1.1 i_c$,
30 and so the voltage range $V_{\max} - V_{\min}$ is the same for all three devices. The voltage response functions of a conventional SQUID and a SQIF are illustrated once again with the aid of a concrete exemplary embodiment in figure 12d. Whereas single-loop SQUIDs and multiloop
35 SQUIDs have a periodic voltage response function $\langle V \rangle$ of period Φ_0 in such a way that no absolute measurement of the magnetic field is possible, the flat superconducting quantum interference filter has a unique voltage response function. This voltage response

- 44 -

function of the SQIF thereby permits absolute quantitative measurement of the magnetic field. In the example selected, the measuring range is between $\Phi = 0$ and $\Phi \equiv B_{\perp} \bar{F} \approx 0.02\Phi_0$. Given a mean network cell area \bar{F} in the range of μm^2 , this corresponds to magnetic field strengths of between $B_{\perp} = 0$ and $B_{\perp} = 10^{-4}$ T and for \bar{F} in the range of mm^2 magnetic field strengths of between $B_{\perp} = 0$ T and $B_{\perp} = 10^{-10}$ T. In these examples, the limit of resolution can be in the range from 10^{-13} T to 10^{-16} T.

The measuring range of the device according to the invention can be varied as desired in conjunction with a constant sensitivity by using a compensation circuit with the aid of which a magnetic flux of known strength is coupled into the superconducting quantum interference filter in a controlled fashion.

The electrotechnical theoretical description of the superconducting quantum interference filter can be performed with the aid of what is known as the RCSJ model (RCSJ = Resistively and Capacitively Shunted Junction) for the individual Josephson junctions taking account of the network theory for superconducting circuits. In the RCSJ model, the individual Josephson junction is described by a nonlinear inductor which is connected in parallel with an ohmic shunt resistor r_n and a geometrical shunt capacitor c_n characterizing the tunnel barrier. The description of the macroscopic state of the Josephson junctions is performed by the calibration-invariant difference between the macroscopic quantum mechanical phases at the two opposite superconducting electrodes of the respective junction. This phase difference is designated by ϕ_j , $j = 1..N$ indicating the individual junctions of the network. The relations on which the network dynamic is based are then given by

- 45 -

$$I_j = i_c \sin(\phi_j) + \frac{v_j(t)}{r_n} + c_n \partial_t v_j(t), \quad (1)$$

$$v_j(t) = \frac{\hbar}{2e} \partial_t \phi_j, \quad (2)$$

$$\phi_{j+1} - \phi_j = 2\pi \frac{\Phi_j}{\Phi_0} \quad (3),$$

I_j denoting the current, flowing through the junction with index j , with $\sum_{j=1}^N I_j = I_0$ and Φ_j denoting the magnetic flux penetrating the network cell with index j . Equation 1 describes the nonlinear relation between the current I_j and the voltage $v_j(t)$ dropping across the junction in the RCSJ model. Equation 2 corresponds to the second Josephson relation, in accordance with which the voltage $v_j(t)$ dropping across the junction is directly proportional to the time derivative $\partial_t \phi_j$ of the phase difference ϕ_j . Equation 3 is an expression of the quantization of the magnetic flux through a closed superconducting loop.

For the sake of simplicity, it is assumed in the theoretical description that the network junctions are identical, that is to say that both the critical currents i_c and the parallel-connected shunt resistors r_n and shunt capacitors c_n are not subject to statistical or systematic scattering. The occurrence of typical manufacturing-induced instances of parameter scattering does not, however, impair the serviceability of the superconducting quantum interference filter. The theoretical description within the framework of the RCSJ model is, moreover, limited to what are called point junctions, that is to say to junctions which are so small that the phase differences do not vary over the extent of the junction barrier. This is also the customary assumption in the theoretical description of conventional SQUIDs. This assumption is particularly justified in superconducting quantum interference filters, since, by contrast with conventional SQUIDs, with increasing number of the network cells, the interference patterns occurring are dominated by the network dynamics and therefore depend only extremely

weakly on the specific geometry of the individual junctions.

The network equations following from the current conservation and Equations 1 to 3 link the magnetic field \vec{B} acting at the location of the network, and the driving current I_0 , with the voltage $V(t)$ dropping across the circuit. For magnetic fields \vec{B} which are static or vary slowly by comparison with the network frequency, the network equation for SQIF of this exemplary embodiment, and in general for SQIFs which comprise parallel-connected network cells, can be written as a nonlinear differential equation of the form

$$\frac{\hbar c_n}{2e i_c} \partial_t^2 \phi_1 + \frac{\hbar}{2e i_c r_n} \partial_t \phi_1 + |S_N(\vec{B})| \sin(\phi_1 + \delta_N) = \frac{I_0}{N i_c} \quad (4)$$

$$v_1(t) = \frac{\hbar}{2e} \partial_t \phi_1 \quad (5),$$

the magnetic field $\vec{B} = \vec{B}_{ext} + \vec{B}_c$ being composed of the primary external field \vec{B}_{ext} to be measured and, possibly, a secondary magnetic compensation field \vec{B}_c produced in a controlled fashion. The complex ($i = \sqrt{-1}$) structural factor $S_N(\vec{B}) = |S_N(\vec{B})| \exp[i \delta_N(\vec{B})]$ occurring in Equation 4 describes the geometrical and dynamic properties of the superconducting quantum interference filter composed of $N - 1$ cells. It determines the spatial and temporal interference properties of the network as a function of the strength of the magnetic field to be measured. The phase shift δ_N likewise depends on the specific geometry of the arrangement, but has no influence on the time-averaged voltage response function $\langle V(\vec{B}; I_0) \rangle$.

The complex structural factor $S_N(\vec{B})$ is defined as

$$S_N(B) = \frac{1}{N} \sum_{n=0}^{N-1} \exp\left(\frac{2\pi i}{\Phi_0} \sum_{m=0}^n \langle \vec{B}, \vec{a}_m \rangle\right) \quad (6),$$

- 47 -

the vectors \vec{a}_m denoting the oriented surface elements ($\frac{\vec{a}_m}{|\vec{a}_m|}$ = surface normal, $|\vec{a}_m|$ = surface area of the mth loop) of the individual network loops, and $\vec{a}_0 = 0$. It therefore holds for the magnetic flux permeating the individual network loops that $\Phi_m = \langle \vec{B}, \vec{a}_m \rangle$, the scalar product being defined for any two vectors \vec{a}, \vec{b} by $\langle \vec{a}, \vec{b} \rangle = |\vec{a}| |\vec{b}| \cos \angle(\vec{a}, \vec{b})$. If the magnetic field \vec{B} varies over the extent of the loop, the corresponding integral representation then occurs at the point of this scalar product. The periodicity of the network is determined by the accumulated magnetic fluxes

$$\alpha_n = \sum_{m=0}^n \langle \vec{B}, \vec{a}_m \rangle \quad (7)$$

with $n = 0 \dots N - 1$.

15

For conventional single-loop SQUIDS, in which only one oriented area \vec{a}_1 exists, with $N = 2$ S_N assumes the value $S_2 = \frac{1}{2}(1 + \exp\left[\frac{2\pi i}{\Phi_0} \Phi\right])$ and $|S_2| = \cos\left(\frac{\pi \Phi}{\Phi_0}\right)$. For flat periodic multiloop SQUIDS with identical loop surfaces $\vec{a}_1 = \vec{a}_2 = \vec{a}_3 = \dots = \vec{a}_{N-1}$, $\vec{\alpha}_n = n\Phi$ with $\Phi = B_{\perp} |\vec{a}_1|$ and so

20

$S_N = \frac{1}{N} \sum_{n=0}^{N-1} \exp\left[\frac{2\pi i}{\Phi_0} n \Phi\right]$ is a geometric series, the result being $|S_N| = \frac{\sin(N \pi \Phi / \Phi_0)}{N \sin(\pi \Phi / \Phi_0)}$. The structural factors for such

25

conventional SQUIDS corresponding to the current state of the art therefore have periodic structural factors independently of the number of junctions. These periodic structural factors are the cause of the likewise strongly Φ_0 -periodic voltage response functions $\langle V(\vec{B}; I_0) \rangle$ of such devices, and thus the cause of the fact that no absolute measurement of the magnetic field is possible with the aid of such devices corresponding to the prior art. Superconducting quantum interference filters have, by contrast, no periodic

30

- 48 -

structural factors, since $S_N(\vec{B})$ according to Equation 6 cannot be periodic for incommensurable accumulated magnetic fluxes α_n . Superconducting quantum interference filters therefore also have no periodic voltage response functions $\langle V(\vec{B}; I_0) \rangle$ and therefore permit the absolute measurement of magnetic fields.

According to Equation 3, it holds for external fields which are static or vary slowly by comparison with the network frequency that $v_j(t) = v_1(t)$ for all $j = 1 \dots N$, that is to say $v_1(t)$ defines the AC voltage dropping across the superconducting quantum interference filter. The network frequency ϕ is related via the Einstein relation $h\nu = 2e\langle V(\vec{B}; I_0) \rangle$ to the time average of this AC voltage, the voltage response function $\langle V(\vec{B}; I_0) \rangle = \frac{1}{T} \int_0^T v_1(t) dt$, where $T = \frac{1}{\nu}$. For typical Nb|AlO_x|Nb Josephson junctions, the network frequency ϕ is approximately 100 GHz, and so the frequency ϕ_{ext} for the external field can be in a range from $\phi_{\text{ext}} = 0$ to approximately 20 GHz. As in the case of conventional SQUIDs, the DC voltage $\langle V(\vec{B}; I_0) \rangle$ dropping across the network on average over time can serve as easily accessible measured variable. The influence of inductances and self-fields caused by the driver current is neglected in Equations 4 and 5 in order to improve comprehension. In fact, given a suitable design of the superconducting quantum interference filter, conductances and self-fields can be minimized such that its serviceability is not impaired by these influences. Appropriate devices are presented in the further exemplary embodiments.

Neglecting the shunt capacitors c_n , something which is justified to a very good approximation for typical Josephson junctions, permits an analytical solution for the voltage response function:

- 49 -

$$\langle V(B; I_0) \rangle = i_c r_n \sqrt{\left(\frac{I_0}{N i_c}\right)^2 - |S_N(B)|^2} \quad (8)$$

As is sketched in figure 12a, this voltage response function is periodic with period Φ_0 for all SQUIDs corresponding to the present state of the art. By contrast, for SQIFs the voltage response function is not periodic. This is illustrated in figure 12c. The voltage response function of the superconducting quantum interference filter has a minimum for $\Phi = 0$, like the voltage response function of conventional SQUIDs. By contrast with conventional SQUIDs, this minimum is not, however, repeated in the case of an increasing external field. The voltage response is therefore uniquely distinguished for $\Phi = 0$ and, depending on design, permits absolute quantitative measurement of the external magnetic field directly or with the aid of a suitable compensation circuit for the magnetic field. Since the absolute value of the structural factor S_N features quadratically in Equation 8, the voltage response function for the SQIFs fluctuates in the top part of the graph only very slightly about the value V_{max} and the result is a decidedly steep edge between V_{min} and V_{max} (compare figure 12c).

The structural factor $S_N(\vec{B})$ of the superconducting quantum interference filter can be optimized in such a way that the voltage response function $\langle V(\vec{B}; I_0) \rangle$ has a maximum measuring range of $0 < |\vec{B}| < |\vec{B}|_s$. This is the case whenever the spacing ΔV between the smallest local minimum of V and the maximum voltage value V_{max} is minimized for a given total area $\sum_{m=1}^{N-1} |\vec{a}_m|$ (compare also figure 11) and given number of network contacts N in the operational range. The maximum operational range of a superconducting network is determined in this case by the maximum achievable compensation field strength.

- 50 -

For flat networks, the case can arise in which a minimum possible length variation l_0 of the conductor tracks occurs which is caused by the production process. The surface areas $|\vec{a}_m|$ of the network loops can then be defined by $|\vec{a}_m| = q_m l_0^2$, the numbers q_m being positive whole numbers. In the most unfavorable case, two surface elements can therefore differ only by the absolute value of l_0^2 for production reasons. This has the result that the structural factor $S_N(\vec{B})$, and thus the voltage response function $\langle V(\vec{B}; I_0) \rangle$ of the superconducting quantum interference filter, could vary periodically from a purely theoretical viewpoint. However, the period which possibly arises is very large with reference to Φ_0 and corresponds to $\frac{\Phi_0}{GGT} A_{tot}$, where GGT is the highest common factor of the absolute values $|\vec{a}_m|$ of the oriented surface elements of a planar network, and A_{tot} denotes the total area of the SQIF, $A_{tot} = \sum_{m=1}^{N-1} |\vec{a}_m|$. A typical value, corresponding to the prior art, for l_0 is approximately one hundred nm (niobium process). The minimum area difference l_0^2 is therefore of the order of magnitude of $10^{-2} \mu m^2$ in the case of an assumed network cell area of the superconducting quantum interference filter of $10^{-2} mm^2$. If the numbers q_m are now themselves coprime, for example because they are selected in relation to (different) prime numbers, the period of the voltage response function is given as $\frac{\Phi_0}{l_0^2} A_{tot}$. For typical total areas A_{tot} of several $1000 \mu m^2$, this period is far outside the practically relevant measuring or operational range. Consequently, for an operational range given in a specific application, there is always a superconducting quantum interference filter with an optimum area, number of junctions and associated structural factor.

A further exemplary embodiment of the invention is illustrated in figure 13. The network cells fall here into three groups in such a way that a complete vector basis of three-dimensional space can be formed from the oriented surface elements \vec{a}_m . This design of the invention, which is denoted below as vector SQIF, has the advantage that both the strength and the direction of the primary magnetic field to be measured can be determined uniquely and with very high accuracy by means of appropriately designed compensation fields which, for example, each generate a controllable secondary field parallel to each of the base vectors formed from the \vec{a}_m . This permits the unique quantitative reconstruction of the primary magnetic field vector \vec{B}_{ext} in terms of absolute value, direction and phase, and allows a multiplicity of novel applications. For example, it is even possible with two such arrangements exactly to localize the sources of a magnetic field and to determine their strength. This can include the wireless readout of detector fields when the individual detector signals comprise temporary electric currents. Again, reading out or processing electronic or magnetic data memories is possible with such arrangements in the GHz to THz range in conjunction with a very high temporal resolution and thus an extremely fast processing rate, this being done in a contactless fashion and virtually without consuming or dissipating power. Further examples of the application of such vector SQIFs are the spatial and temporal high-resolution measurement of metabolic processes, for example in the human brain, of signals in nuclear magnetic resonance or the magnetic field distribution in the upper earth crust such as, for example, in geological exploration. The crosses in figure 13 symbolize the Josephson junctions, and busbar resistors are denoted by the reference numeral 115. The thick bold lines illustrate superconducting connections. The two thick bold lines 116, 117

additionally delimit the part of the network connected in a superconducting fashion.

In an exemplary embodiment which is not illustrated, the vector SQIF is constructed from three individual flat SQIFs which operate independently of one another and whose surface normals form a vector basis of three-dimensional space. This device has the advantage that the individual flat SQIFs can be produced without any problem with the aid of the standard methods, corresponding to the current state of the art, of thin-film technology.

Quantitative measurement can be performed here either by simultaneous compensation of the three components of the external magnetic field, as in the exemplary embodiment of the last section, or by direct measurement of the voltage dropping across each individual SQIF. For specific applications, the latter measuring method is a further advantage of such arrangements, since there is then no need for compensation devices.

In two further exemplary embodiments which are not illustrated, the vector SQIF corresponding to the last or penultimate section is designed such that the surface normals of the individual SQIFs, or the oriented surface elements \vec{a}_m , are arranged in such a way that they can be used to form a complete vector basis of a two-dimensional subspace of the three-dimensional space. This design can be advantageous when the magnetic field is to be measured only in one plane, for example when flat detector fields or memories are involved.

Figure 14 illustrates an exemplary embodiment of a flat SQIF in which the magnetic compensation field is produced by two control lines 118, 119 which are parallel to the network and therefore perpendicular to

the direction of the driving current. If, in such an arrangement according to the invention, a current I_{k1} , I_{k2} flows through one or both control lines 118, 119, a magnetic flux of known strength and capable of being controlled very precisely by this current is coupled into the cells of the SQIF. This flux can compensate the flux caused by an external magnetic field in such a way as to minimize the voltage dropping across the SQIF. This "operating point" is then always situated at the absolute minimum of the calibration curve $\langle V(\vec{B}; I_0) \rangle$ of the SQIF. Since the spacing between the control line and network is known, the value of the compensation current can be used to determine directly the strength of the external magnetic field. The selection of another operating point within the measuring range of the SQIF is also possible. This design has the advantage that the operating range of the SQIF, that is to say the range of the magnetic field strengths which can be measured with the aid of the device, is bounded above in principle only by field strengths which destroy the phase coherence between the regions capable of superconducting which are separated by tunnel barriers. A further advantage is that in this design SQIFs can still be operated in a fully serviceable fashion even when the actual measuring range, that is to say the range in which the voltage response function is unique, is very small. This can occur whenever, owing to manufacturing tolerances, there occur, in the voltage response function, secondary minima whose voltage values do not differ very strongly from the voltage value of the absolute minimum. However, as long as the measuring range is larger than the resolution limit of the SQIF, which is typically a few nV, according to the invention the device remains fully serviceable in a design with a compensation circuit. Also advantageous in the case of a design with control lines is that the compensation circuit is provided on-chip and requires no additional production steps.

According to the current prior art, in the case of thin-film structures the control lines can be provided in the layers situated above or below the network feeder lines. It can also be advantageous to provide a plurality of control lines, for example when for the purpose of precision measurements a temporally varying compensation field is to be superimposed on a static compensation field.

10 SQIFs should reach their maximum sensitivity for operation modes in which temporally varying compensation fields are used. Moreover, in such modes it is possible not only simultaneously to determine the strength and direction of the field to be measured, but
15 also its phase angle. It is thereby possible to reconstruct the measured time-variant signal completely and therefore to make an identical copy of this signal. The advantage of the devices consists in that such copies can be amplified and passed on without any loss
20 of information.

The crosses in figure 14 once again symbolize the Josephson junctions. Symbolically illustrated busbar resistors are denoted by the reference numeral 120. The dashed and dotted line describes the boundary of the necessarily superconducting part of the network.

In a design for precision measurements which is not illustrated, the compensation circuit is provided
30 outside the SQIF and comprises a pair of coils which is orientated in such a way that the SQIF lies in a plane perpendicular to the axis of the pair of coils between the two coils. Such compensation circuits can have the advantage that the magnetic compensation field at the
35 location of the SQIF has a very high level of homogeneity, and thereby permits extremely precise measurements. Designs in which compensation is local, that is to say performed by control lines and by compensation circuits provided outside the SQIF, can

also be advantageous in minimizing the influence of interference, such as noise and fluctuations. SQIFs which have compensation circuits, for example in the form of control lines, can also be used as logic components (actuators) for superfast high-performance computers. SQIFs with two local control lines can provide OR logic modules which switch only when an exactly equal parallel current is flowing through both control lines. In this case, the switching times of such actuators are in the region of the network frequency, that is to say in the GHz to THz range. An advantage of such logic modules resides in this case also in the fact they simultaneously act as amplifiers, since even very small control currents lead to the maximum voltage response, which is several hundred μV to mV for present-day typical Josephson junctions.

The sensitivity or the gain of the arrangements according to the invention can be multiplied by a series connection of SQIFs, as is illustrated in figure 15, which are coupled to one another by an active control line 121 which, for its part, also contains Josephson junctions. The crosses symbolize Josephson junctions. Symbolically illustrated busbar resistors are denoted by the reference symbol 122. The bold lines inside the network represent superconducting connections and symbolize the superconducting region 123, which also contains the Josephson junctions.

The active control line 121 in this case synchronizes the one-dimensional SQIF array even in the case of strongly deviating structural factors of the various SQIF sections and parameter inhomogeneities. If the manufacturing tolerances are low, it is also possible in some circumstances to dispense with the active control line. The advantage of such SQIF arrays, which can also be designed in two dimensions, resides in the fact that the limit of resolution of the device decreases with the number of SQIF sections 123, and the

gain grows with the number of SQIF sections. Given optimum selection of the mode of operation, it should be possible in the range of magnetic field measurement to use such arrangements to achieve, for example,
5 limits of resolution which are many orders of magnitude lower than those in the case of conventional SQUID systems. Again, SQIF arrays can be produced without any problem using the production methods corresponding to the prior art.

10

An exemplary embodiment in which a plurality of SQIF sections 124 are connected in a hierarchically organized SQIF array is shown in figure 16. Here, the basic elements of such a hierarchical SQIF array are
15 identical basic SQIFs 124 with an identical structural factor. These basic SQIFs are arranged on a second hierarchical plane in the form, once again, of a SQIF 125, which serves anew as a basic SQIF 125 for a third hierarchical plane. Arrangements with more than three
20 hierarchical planes ($k = 1, 2, 3, \dots$) are also possible. The advantage of such arrangements resides in the fact that, depending on the relationships between the oriented surface elements of the basic SQIF and the SQIF or SQIFs of higher hierarchical planes, and as
25 determined by the generally different structural factors on the various planes, the interference patterns which are produced on the various planes once again interfere to form an overall pattern, and this renders possible an extremely high resolution. Since
30 the oriented surface elements \vec{a}_m in the various hierarchical planes can be differently aligned, the resulting interference pattern is, moreover, extremely sensitive with reference to the direction of the external field. According to the current state of
35 production engineering, such SQIF systems of multidimensional design cannot be implemented on-chip. However, it is possible to produce the individual planar components of a multidimensional SQIF system with the aid of conventional methods of thin-film

technology, and then to connect said components with the aid of superconducting twisted-pair cables such that an overall system of the type described is produced. Such superconducting twisted-pair cables have the advantage in this case that no effective flux penetrates into them. The connection of different parts of a SQIF system with the aid of such superconducting twisted-pair cables therefore has no influence on the serviceability of the overall SQIF, since the cable featured in Equation 6 only features as an oriented surface element with a vanishingly small area.

An exemplary embodiment of a SQIF, which shows how the inductive couplings active between different network cells can be minimized, is illustrated in figure 17a. Such inductive couplings can reduce the sensitivity of the device when the network comprises very many cells. Since a supercritical current flows through each contact, the resulting current distribution in this case produces a self-field which, under some circumstances, however, cannot be neglected. The embodiments according to the invention as illustrated, for example, in figure 17b can be used to reduce the influence of the self-fields sharply. The conductor tracks of the network cells 126, 127 are designed in figures 17a and 17b such that the current flowing through a network junction 128 induces only a negligible flux in the respectively next but one network cell, since the magnetic field of a short current-carrying conductor piece is substantially limited to a region perpendicular to the conductor piece. Since, for $\Phi = 0$, each junction is flowed through by a current of the same strength, in this case all inductances vanish, and the global minimum of the voltage response function corresponds to that according to Equation 8. In order to minimize the self-fields of the feeder and outgoing lines, the driver current I_0 is fed and led off again through busbar resistors 129 which correspond to the prior art and whose distance

from the network can be selected to be sufficiently large. An alternative design of a SQIF which likewise minimizes the mutual inductive influences is illustrated in figure 17c.

5

An exemplary embodiment in which the various network cells are connected in series is illustrated in figure 18a. The oriented surface elements \vec{a}_m are also selected here such that the voltage response function of the network is not periodic, or only has a period which is very large in comparison with Φ_0 . In the case of a non-periodic voltage response function, the global absolute minimum of this voltage response function is at exactly $\vec{B} = 0$. A typical voltage response function of a series circuit for $N = 100$ network cells a_1 to a_{100} and a very large period is illustrated in figure 18b.

Such designs have the advantage that the series circuit causes the voltage response functions of the individual network cells to add together. This produces a quantum interference filter with a very large voltage range which can enter the range of a plurality of mV or even V. By contrast with the parallel circuits, however, in this case there is no reduction in the width of the voltage response function (variance) by $\vec{B} = 0$ as compared with conventional two-junction SQUIDs. However, since the spacing between adjacent network loops in series arrangements can be selected at will, without infringing the quantum interference condition, the parasitic mutual inductances can be minimized with the aid of such arrangements. Moreover, series circuits can have technically conditioned advantages in production. In particular, an increased packing density is possible, and this can be advantageous in the integration of circuits on a chip.

The theoretical description of series SQIFs can be done with the aid of Equation 8, since a series SQIF constitutes the simplest realization of a two

- 59 -

dimensional SQIF array. For identical network junctions, the mean DC voltage dropping across an individual network cell is given for a supercritical driver current $I_0 > 2i_c$ by

$$\langle V \rangle_n = i_c r_n \sqrt{\left(\frac{I_0}{2i_c}\right)^2 - \left|\cos\left(\pi \frac{\Phi_n}{\Phi_0}\right)\right|^2} \quad (9)$$

5

in which it holds that $\Phi_n = \langle \vec{B}, \vec{a}_n \rangle$. The mean DC voltage $\langle V \rangle$ dropping across the overall series array results from

$$\langle V \rangle = \sum_{n=1}^N \langle V \rangle_n \quad (10)$$

10 It is certainly true that because of the series arrangement of the network cells \vec{a}_n a structural factor cannot, as for the parallel arrangement, be defined directly by the appropriate selection of the sequence $\{\vec{a}_n\}$, but it is also possible here to set the profile of
15 the voltage response function and, in particular, the measuring and/or operating range.

In the exemplary embodiment of figure 18b, for example, the oriented surface elements \vec{a}_n were selected in a
20 flat series arrangement corresponding to the arithmetic relationship

$$\vec{a}_n = \frac{n}{N} \vec{a}_N \quad (11)$$

in which case it holds that $\vec{a}_n = \left| \frac{n}{N} \vec{a}_N \right|$, and \vec{a}_N denotes the largest area of the series SQIF with N network cells
25 and $2N$ contacts. Such a selection has the advantage, for example, that the maximum of the voltage response function follows directly on the minimum (compare figure 18b), and so the voltage range becomes a maximum.

30

In addition to the series SQIF, a typical coupling and control circuit is drawn in diagrammatically in figure 18a. Given an appropriate design, a magnetic compensation field which compensates an external field

and/or the field which is produced by the current I_{inp} is produced by the compensation current I_{comp} at the location of the individual network cells. This permits the operation of the SQIF in extremely sensitive nulling mode. In this case, the current I_{inp} is, for example, the input current of a pick-up loop or of another signal source.

Series SQIFs can also therefore be greatly advantageous, because the background noise of the circuit, for example when it is being used as a (current) amplifier, rises only in proportion to \sqrt{N} , whereas the voltage range grows in proportion to N . This is the case because the voltage noise of the various network cells, and/or of the Josephson junctions in these cells, is not correlated (pure current coupling), and is therefore superimposed only incoherently. Consequently, extremely low-noise amplifiers, for example, can be implemented using series SQIFs or, in general, SQIF arrays. A typical current-voltage characteristic of such an amplifier component, which can be implemented by means of a SQIF, is illustrated in figure 18c. Depending on the design of the SQIF, it is also possible to detect and/or amplify very small currents ($< 10^{-12}$ A) in this operating mode. Further advantages of such amplifier components are their very fast switching times and that they can be used up to very high frequencies.

The periodicity characteristics of the voltage response function are an essential feature of SQIFs. The frequency spectrum of the voltage response functions of SQIFs with reference to the magnetic flux is therefore clearly different from conventional SQUID interferometers. This state of affairs is illustrated in figures 19a to 19d with the aid of typical frequency spectra of SQUIDs (figures 19a and 19b) and of SQIFs (figures 19c and 19d).

- 61 -

Figure 19a shows in the top picture the typical voltage response function of a conventional SQUID. The $\langle V(\Phi) \rangle$ curve is periodic with the period Φ_0 . The associated frequency spectrum in the bottom picture of figure 19a therefore shows an amplitude which is decisively dominant at $1 \Phi_0$. Since the voltage response function of a SQUID is not harmonic (compare Equation 8), yet higher harmonic modes also occur at $2\Phi_0$ and $3\Phi_0$, but they have only a very small amplitude. The frequency spectrum of conventional SQUIDS is therefore dominated by the Φ_0 -periodic contribution. As figure 19b shows, this is also the case with multiloop arrangements which are constructed from identical network cells, and this is so independently of whether series arrangements or parallel arrangements of identical SQUID loops are involved. In the case of parameter imperfections or geometrical imperfections, as well, quantum interferometers corresponding to the prior art always exhibit a discrete frequency spectrum which is dominated by the Φ_0 -periodic contribution. In addition, in the case of imperfections all that can occur is an additional continuous spectrum which stems from the imperfections and depends on the type of the imperfections.

By contrast, quantum interference filters have no dominant Φ_0 -periodic contribution in the frequency spectrum of their voltage response functions. This state of affairs is illustrated in figure 19c and 19d. The frequency spectra in figures 19a to 19c (bottom pictures) are plotted in the respectively identical arbitrary units such that direct comparison is possible. The voltage response and the associated frequency spectrum of a quantum interference filter, which does not exhibit periodicity, is shown in figure 19c. The spectrum is virtually continuous and no discrete spectrum exists. In particular, there is no significant Φ_0 -periodic contribution. The amplitudes of the virtually continuous spectrum are smaller by two or

one order of magnitude than in the case of conventional arrangements according to figure 19a or figure 19d. Illustrated in figure 19d is the voltage response function and the associated spectrum of a quantum interference filter, which exhibits a technically induced periodicity. The voltage response function has the property that its period is very much larger than Φ_0 , and the frequency spectrum has a discrete component with a very small amplitude at the period Φ_0 . This amplitude in the case of the period Φ_0 is not significant and in any case does not supply a dominant contribution to the frequency spectrum. Moreover, the discrete spectrum is distinguished, in turn, in that its amplitudes are smaller by one to two orders of magnitude by comparison with the conventional arrangements.

The frequency spectra of the quantum interference filters are robust with regard to the Φ_0 -periodic contribution of the frequency spectrum. Parameter imperfections or geometrical imperfections do not change the abovedescribed qualitative characteristics of the arrangements.

Illustrated diagrammatically in figure 20 is an exemplary embodiment of a flat SQIF 130 which is provided with a superconducting pick-up loop. Such pick-up loops amplify the primary magnetic field by outwardly displacing the flux produced in their interior by this field. Such devices have the advantage that the primary magnetic field can be very strongly amplified at the location of the SQIF by means of a suitable arrangement. A further advantage of SQIFs consists in that the total area of SQIFs can be designed so as to minimize the impedance mismatching between the pick-up loop and SQIF. The sensitivity and the resolution of SQIFs can be substantially enhanced by such devices. Instead of a pick-up loop, it is also possible to use superconducting surfaces (so-called

- 63 -

washers) which likewise lead to the named advantages. The coupling of a gradiometer loop is also possible and leads to the named advantages in the measurement of magnetic field gradients. Suitably designed
5 superconducting pick-up loops are likewise advantageous in the detection of time-variant electromagnetic fields, since they can simultaneously serve as receiving antennas.

Patent Claims:

1. An antenna for electromagnetic waves composed of at least one superconducting quantum interference filter (51) (SQIF) that comprises closed superconducting cells which form a current loop and in each case include a plurality of, preferably two, Josephson junctions, wherein at least three of these cells are connected in a superconducting and/or non-
5 superconducting fashion, the junctions of the at least three cells can be energized in such a way that a time-variant voltage drops in each case across at least two junctions of a cell, the time average of which voltage does not vanish, the at least three cells are
10 configured differently geometrically in such a way that the magnetic fluxes enclosed by the cells in the case of an existing magnetic field differ from one another in such a way that the frequency spectrum of the voltage response function has no significant
15 Φ_0 -periodic component with reference to the magnetic flux, or in that if a discrete frequency spectrum exists, the contribution of the Φ_0 -periodic component of the discrete frequency spectrum is not dominant compared to the non- Φ_0 -periodic components of the
20 discrete frequency spectrum, of primary antenna structures made from normally conducting and/or superconducting materials in which an antenna current is induced upon incidence of an electromagnetic wave, of means for generating an adjustable magnetic field
25 for controlling the superconducting quantum interference filter, of means for supplying the superconducting quantum interference filter with an operating current and of means (51, 52, 53a, 53b) that are designed to be able to lead off as electromagnetic
30 wave a voltage oscillation dropping across the superconducting quantum interference filter (51), wherein the primary antenna structure is electrically connected to the superconducting quantum interference filter (51) and/or is magnetically coupled thereto, and
35

the superconducting quantum interference filter (51) is supplied with an operating current in such a way, and the magnetic field for controlling the superconducting quantum interference filter (51) can be adjusted in
5 such a way that the antenna current flowing in the antenna structure upon incidence of electromagnetic waves excites the superconducting quantum interference filter (51) such that an electric voltage dependent on the antenna current drops across the superconducting
10 quantum interference filter (51).

2. The apparatus as claimed in claim 1, characterized in that the magnetic control field of the superconducting quantum interference filter is adjusted
15 in such a way that a time-variant antenna current excites the superconducting quantum interference filter in such a way that the frequency of the antenna current is included in the frequency spectrum of the electrical voltage dropping across the superconducting quantum
20 interference filter.

3. An antenna for electromagnetic waves of high frequency, composed of a normally conducting and/or superconducting electrical circuit of at least one
25 superconducting quantum interference filter (51) that comprises closed superconducting cells which form a current loop and in each case include a plurality of, preferably two, Josephson junctions, wherein at least three of these cells are connected in a superconducting
30 and/or non-superconducting fashion, the junctions of the at least three cells can be energized in such a way that a time-variant voltage drops in each case across at least two junctions of a cell, the time average of which voltage does not vanish, the at least three cells
35 are configured differently geometrically in such a way that the magnetic fluxes enclosed by the cells in the case of an existing magnetic field differ from one another in such a way that the frequency spectrum of the voltage response function has no significant

Φ_0 -periodic component with reference to the magnetic flux, or in that if a discrete frequency spectrum exists, the contribution of the Φ_0 -periodic component of the discrete frequency spectrum is not dominant
5 compared to the non- Φ_0 -periodic components of the discrete frequency spectrum, of at least one low-temperature transistor (52) and primary antenna structures, of means for supplying the circuit with electric energy, of means for supplying the circuit
10 with a control current and/or a control voltage, of means (51, 52, 53a, 53b) for leading off an electromagnetic wave from the circuit, of cooling elements that can extract heat from at least a part of the circuit during operation, and of insulating means
15 (57) for thermally insulating at least a part of the circuit and of the primary antenna structure, wherein the superconducting quantum interference filter (51) and the transistor (52) act as active components, an antenna current is induced in the primary antenna
20 structures upon incidence of an electromagnetic wave, the primary antenna structure is connected up to at least one of the active components (51, 52) in such a way that upon incidence of an electromagnetic wave on the primary antenna structure there is present at the
25 output of the at least one active component (51, 52) a conducted electromagnetic wave that can be passed on to a consumer, and wherein at least one part of the circuit and at least one part of the primary antenna structure are thermally insulated, the thermal
30 insulation (57) of the part of the primary antenna structure is transparent to electromagnetic waves of high frequency at at least one location, and the cooling elements can withdraw heat from the at least one part of the circuit and the at least one part of
35 the primary antenna structure and are designed to cool down at least one part of the circuit below the transition temperature of at least one of the superconducting materials.

- 67 -

4. An antenna for electromagnetic waves of high frequency, composed of a normally conducting and/or superconducting electrical circuit of at least one low-temperature transistor and primary antenna structures,
5 of means for supplying the circuit with electric energy, of means for supplying the circuit with a control current and/or a control voltage, of means for leading off an electromagnetic wave from the circuit, of cooling elements that can extract heat from at least
10 a part of the circuit during operation, and of insulating means for thermally insulating at least a part of the circuit and of the primary antenna structure, wherein the transistor acts as an active component, an antenna current is induced in the primary
15 antenna structures upon incidence of an electromagnetic wave, the primary antenna structure is connected up to the active component in such a way that upon incidence of an electromagnetic wave on the primary antenna structure there is present at the output of the at
20 least one active component a conducted electromagnetic wave that can be passed on to a consumer, and wherein at least one part of the circuit and at least one part of the primary antenna structure are thermally insulated, the thermal insulation of the part of the
25 primary antenna structure is transparent to electromagnetic waves of high frequency at at least one location, and the cooling elements can withdraw heat from the at least one part of the circuit and the at least one part of the primary antenna structure and are
30 designed to cool down at least one part of the circuit below a comparatively low temperature of, for example, 150 kelvins.

5. The apparatus as claimed in claim 3 or 4,
35 characterized in that the thermal insulation is designed as a vacuum chamber.

6. The apparatus as claimed in one of claims 3 to 5, characterized in that the thermal insulation is part of

- 68 -

the primary antenna structure.

7. The apparatus as claimed in one of claims 3 to 6, characterized in that the entire circuit is thermally insulated, and the, for example active and/or passive, cooling elements can extract heat from the entire circuit.

8. The apparatus as claimed in one of claims 3 to 7, characterized in that a part of the primary antenna structure is composed of a hollow conductor termination into which there projects at least one elongated antenna element, for example an antenna pin, that is electrically insulated from the hollow conductor, and the at least one antenna element is electrically connected to the input of at least one active component, and the circuit includes a plurality of active components that are connected in series, and the hollow conductor termination and the part of the circuit that includes the active components are located in an evacuable vessel, and heat can be extracted from the hollow conductor termination and the part of the circuit that includes the active components.

9. The apparatus as claimed in claim 8, characterized in that projecting into the hollow conductor termination are two antenna elements that are fitted offset from one another and that in each case are individually electrically connected to the input of an active component such that two independent polarizations can be led off from the hollow conductor termination.

10. The apparatus as claimed in one of the preceding claims, characterized in that a part of the primary antenna structures is composed of at least one of the following structures:

- an array of normally conducting and/or

- 69 -

- superconducting aperture antennas,
- an array of normally conducting and/or superconducting patch antennas,
 - one or more electromagnetic lenses,
 - 5 - one or more horn antennas, or
 - one or more parabolic antennas,

whose output signal is assembled via a hollow conductor structure and/or a normally conducting and/or superconducting lead structure and is coupled to at least one of the active components.

11. The apparatus as claimed in one of the preceding claims, characterized in that the electrodes of the superconducting quantum interference filter itself are designed as the primary antenna structures.

12. The apparatus as claimed in one of the preceding claims, characterized in that the superconducting quantum interference filter is equipped with an impedance transformer that transforms the impedance of the superconducting quantum interference filter to the impedance of a connected waveguide or a connected consumer.

13. The apparatus as claimed in one of the preceding claims, characterized in that the superconducting quantum interference filter is operated in such a way that the part of the electric voltage dropping across the superconducting quantum interference filter which oscillates rapidly with the Josephson relation locks onto the carrier frequency of the incident electromagnetic wave such that the voltage dropping across the superconducting quantum interference filter includes the frequency-modulated signal of the incident electromagnetic wave.

14. The apparatus as claimed in one of the preceding claims, characterized in that the superconducting

quantum interference filter and the primary antenna structure are applied to a common carrier.

15. The apparatus as claimed in one of the preceding
5 claims, characterized in that the superconducting quantum interference filter and the primary antenna structure are applied to separate carriers.

16. The apparatus as claimed in one of the preceding
10 claims, characterized in that the superconducting quantum interference filter is applied to one carrier, and the primary antenna structure is applied to another carrier, and the two carriers lie above an other.

17. The apparatus as claimed in one of the preceding
15 claims, characterized in that the superconducting quantum interference filter is constructed from grain boundary Josephson junctions, and the electrodes are composed of high-temperature superconductors.

20

18. The apparatus as claimed in one of the preceding claims, characterized in that the primary antenna structure is composed of high-temperature superconductors.

25

19. The apparatus as claimed in one of the preceding claims, characterized in that the antenna is operated in an active cooler.

20. The apparatus as claimed in claim 19,
30 characterized in that the antenna is located on a chip that is fitted on the cooling finger of the active cooler, and in that the antenna signal is derived from said antenna chip with the aid of a poorly thermally
35 conducting waveguide.

21. The apparatus as claimed in claim 20, characterized in that the operating current of the superconducting quantum interference filter is fed and

led off by the waveguide.

22. The apparatus as claimed in one of the preceding claims, characterized in that the primary antenna structure is composed of one or an array of antenna rods or other electric conductors whose length or dimensions is/are in the range of half the wavelength of the incident electromagnetic wave.

23. The apparatus as claimed in one of the preceding claims, characterized in that the primary antenna structure is composed of one or an array of closed or open loop antennas.

24. The apparatus as claimed in one of the preceding claims, characterized in that the primary antenna structure is composed of one or more electrically small antennas.

25. The apparatus as claimed in one of the preceding claims, characterized in that the primary antenna structure is also or exclusively composed of dielectric materials.

26. The apparatus as claimed in one of the preceding claims, characterized in that the antenna is operated in a resonant cavity that has at a suitable location an opening for the electromagnetic wave incident indirectly or directly.

27. The apparatus as claimed in one of the preceding claims, characterized in that the primary antenna structure is equipped with additional filter elements in such a way that one or more frequency bands are selected.

28. The apparatus as claimed in one of the preceding claims, characterized in that the antenna includes additional electronic components, in particular

- 72 -

electric resistors, capacitors, coils, filter components, transistors or electronic amplifiers.

29. The apparatus as claimed in one of the preceding
5 claims, characterized in that the antenna is applied to a substrate by means of microstripline technology such that an electrically conducting base plate forms the counter-electrode.

10 30. The apparatus as claimed in one of the preceding claims, characterized in that the antenna is equipped with an electronic feedback control with the aid of which the output signal of the superconducting quantum interference filter is fed back to the latter.

15 31. The apparatus as claimed in one of the preceding claims, characterized in that the superconducting quantum interference filter impresses a time-variant voltage on the primary antenna structure such that a
20 time-variant antenna current flows in the primary antenna structure and the primary antenna structure emits an electromagnetic wave.

25 32. An antenna field having two or more antennas as claimed in one of the preceding claims.

30 33. The antenna field as claimed in claim 32, characterized in that means are provided with the aid of which the signals of the antennas arranged in the antenna array can be superposed in a phase-sensitive fashion to form an aggregate signal.

**Fetherstonhaugh
Ottawa, Canada
Patent Agents**

Application number / numéro de demande: DE 04/01209

Figures: 2c, 2d, 3, 4a, 5, 6, 8

: DRW-IP

Unscannable items
received with this application
(Request original documents in File Prep. Section on the 10th floor)

Documents reçu avec cette demande ne pouvant être balayés
(Commander les documents originaux dans la section de préparation des dossiers au
10^{ème} étage)

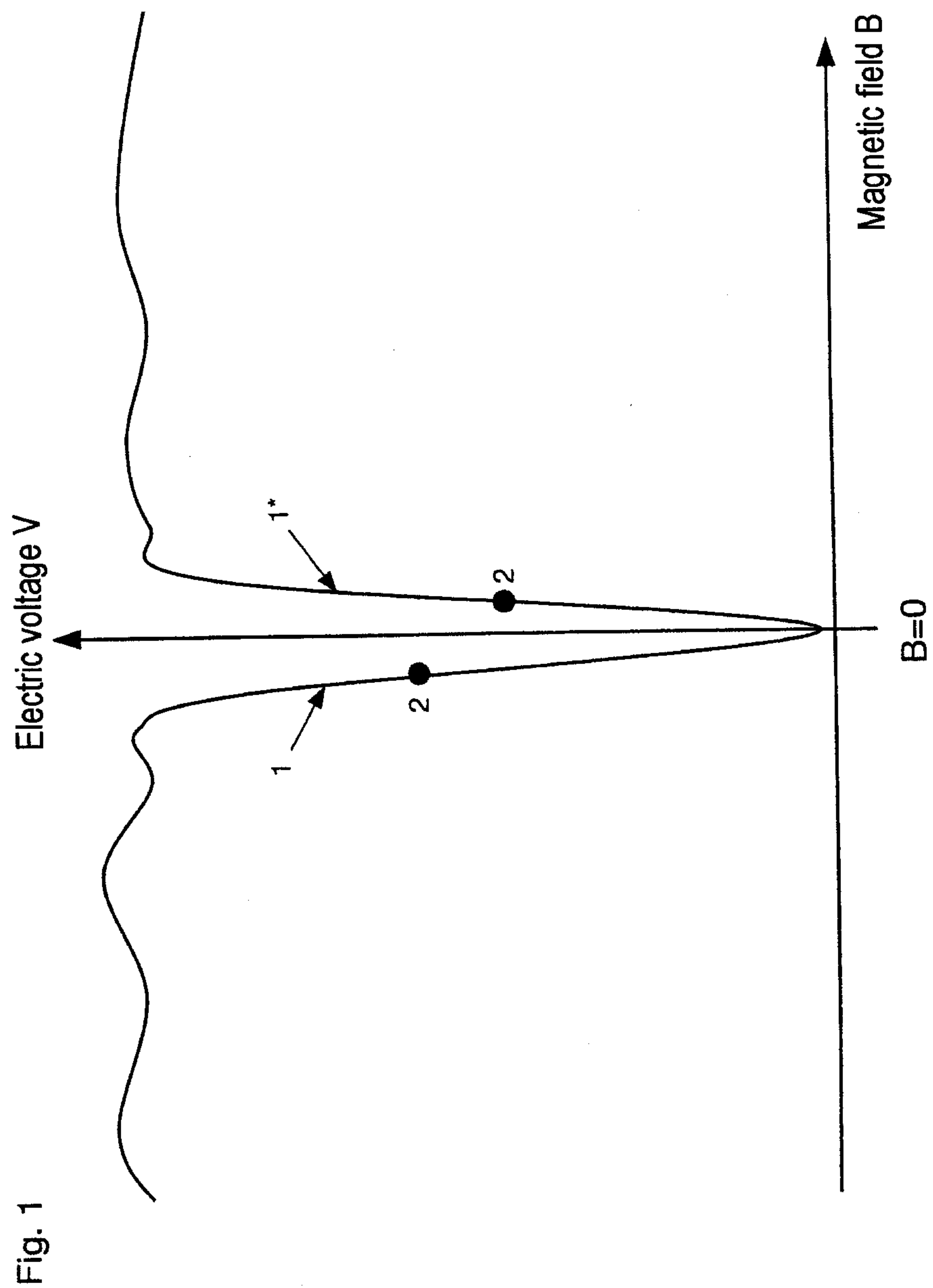


Fig. 1

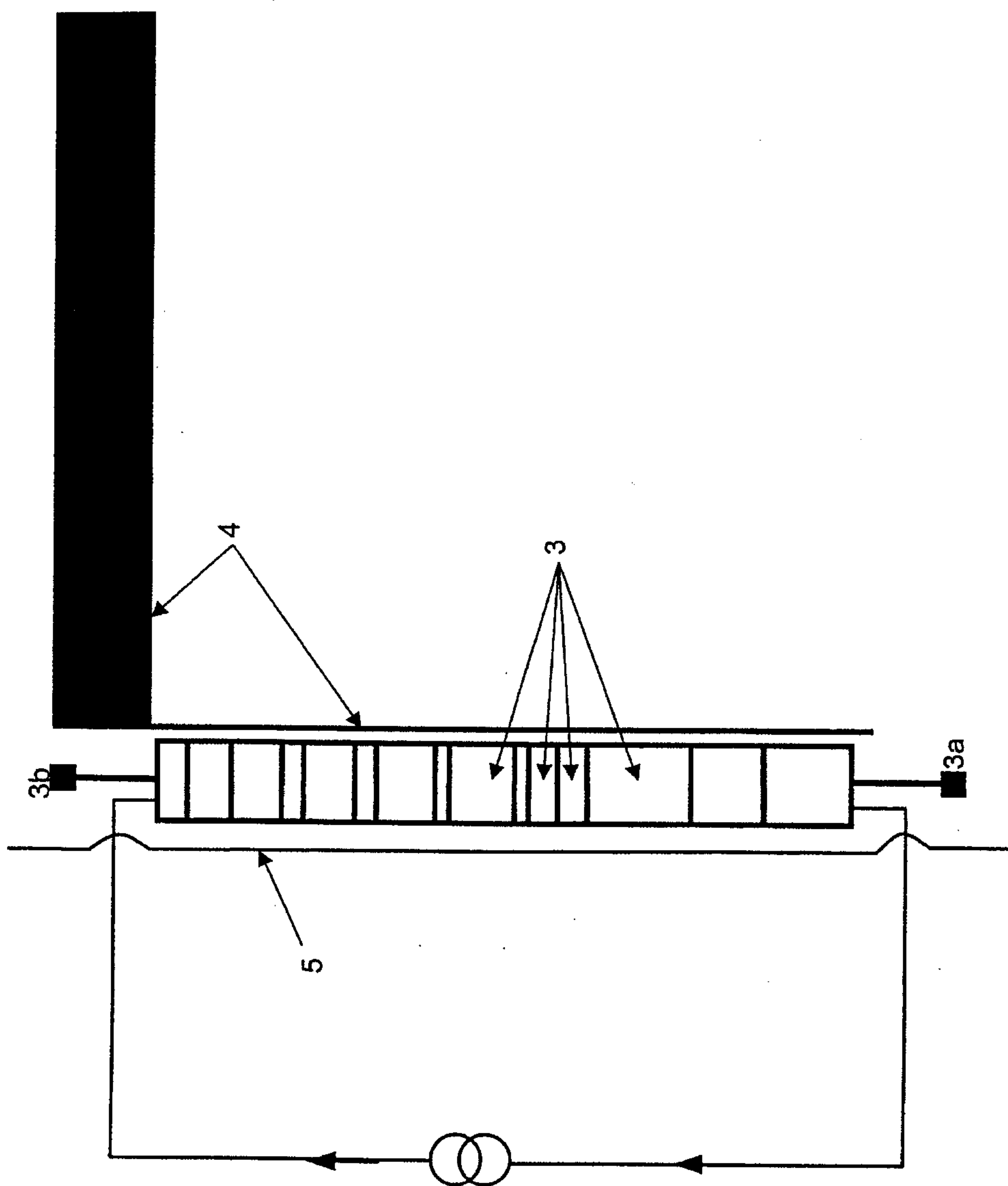


Fig. 2a

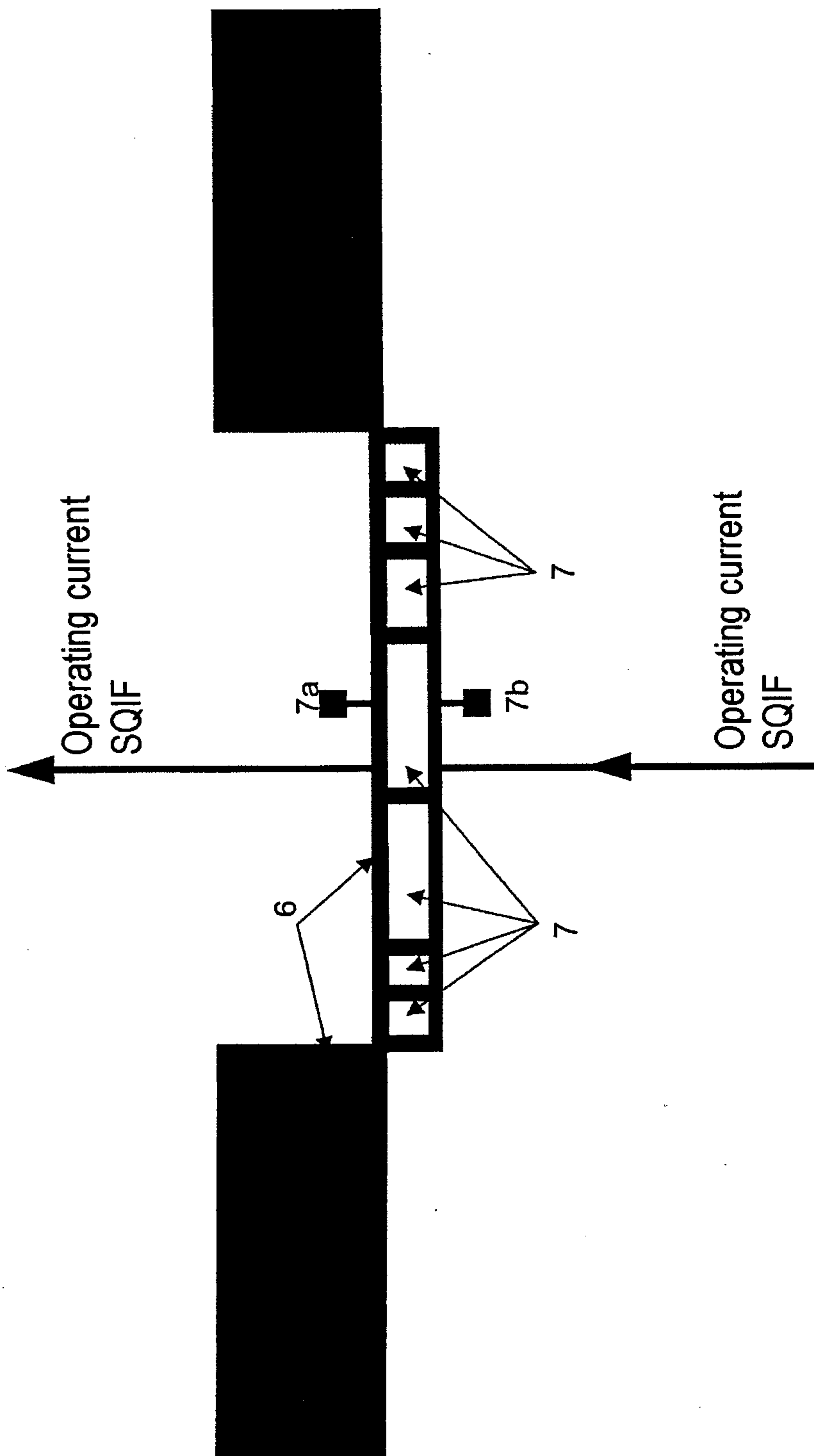


Fig. 2b

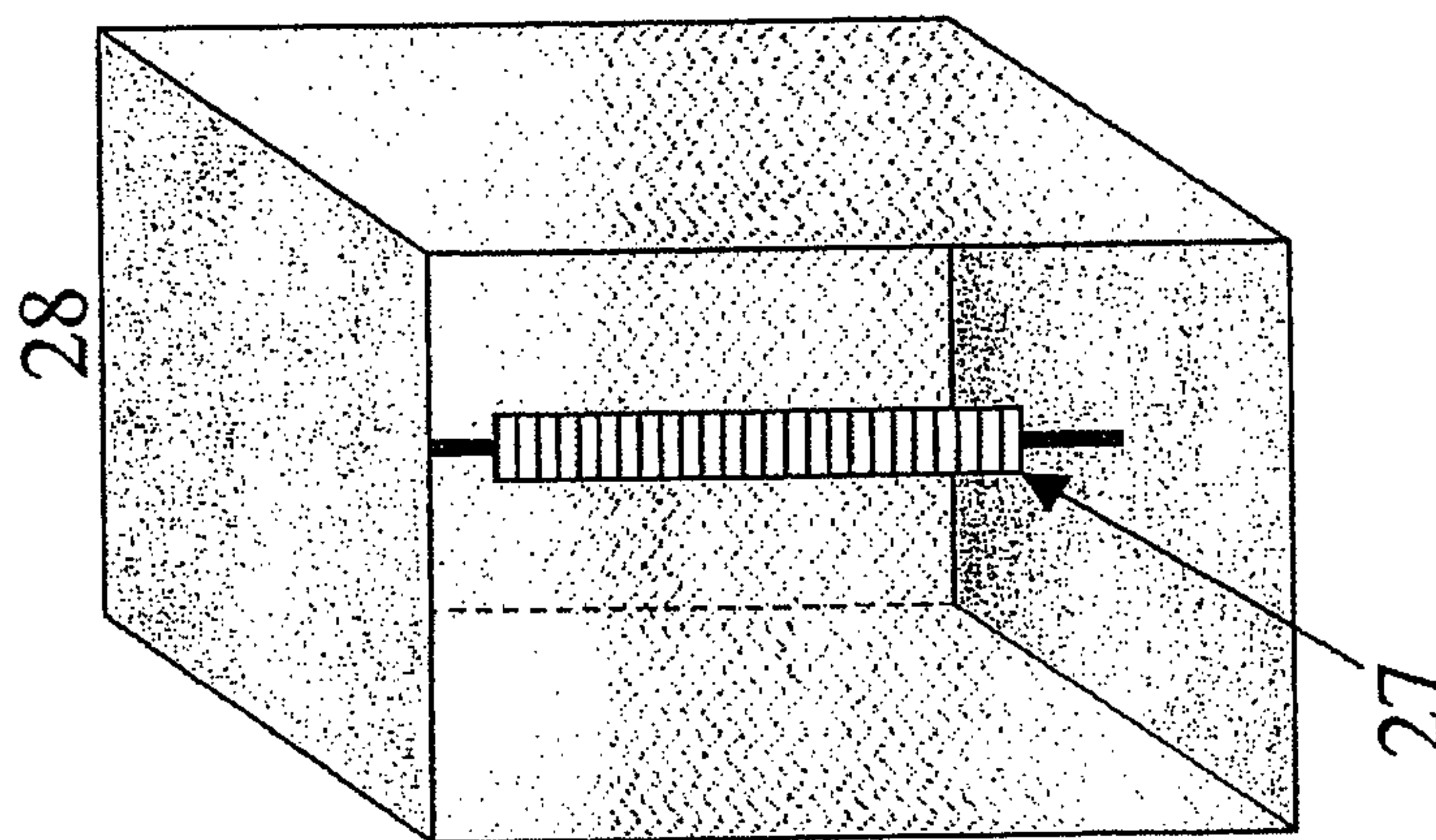


Fig. 4b

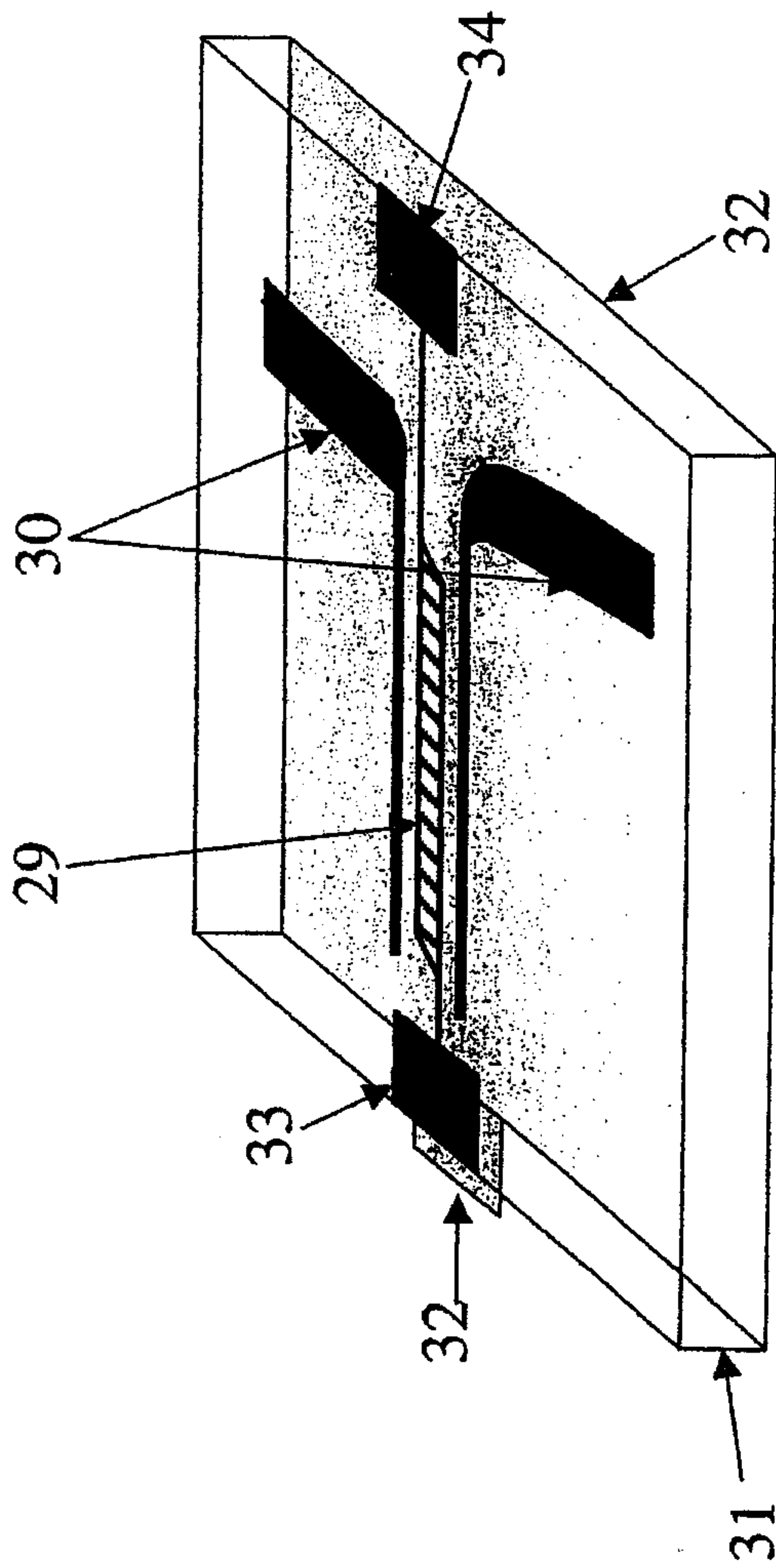


Fig. 4C

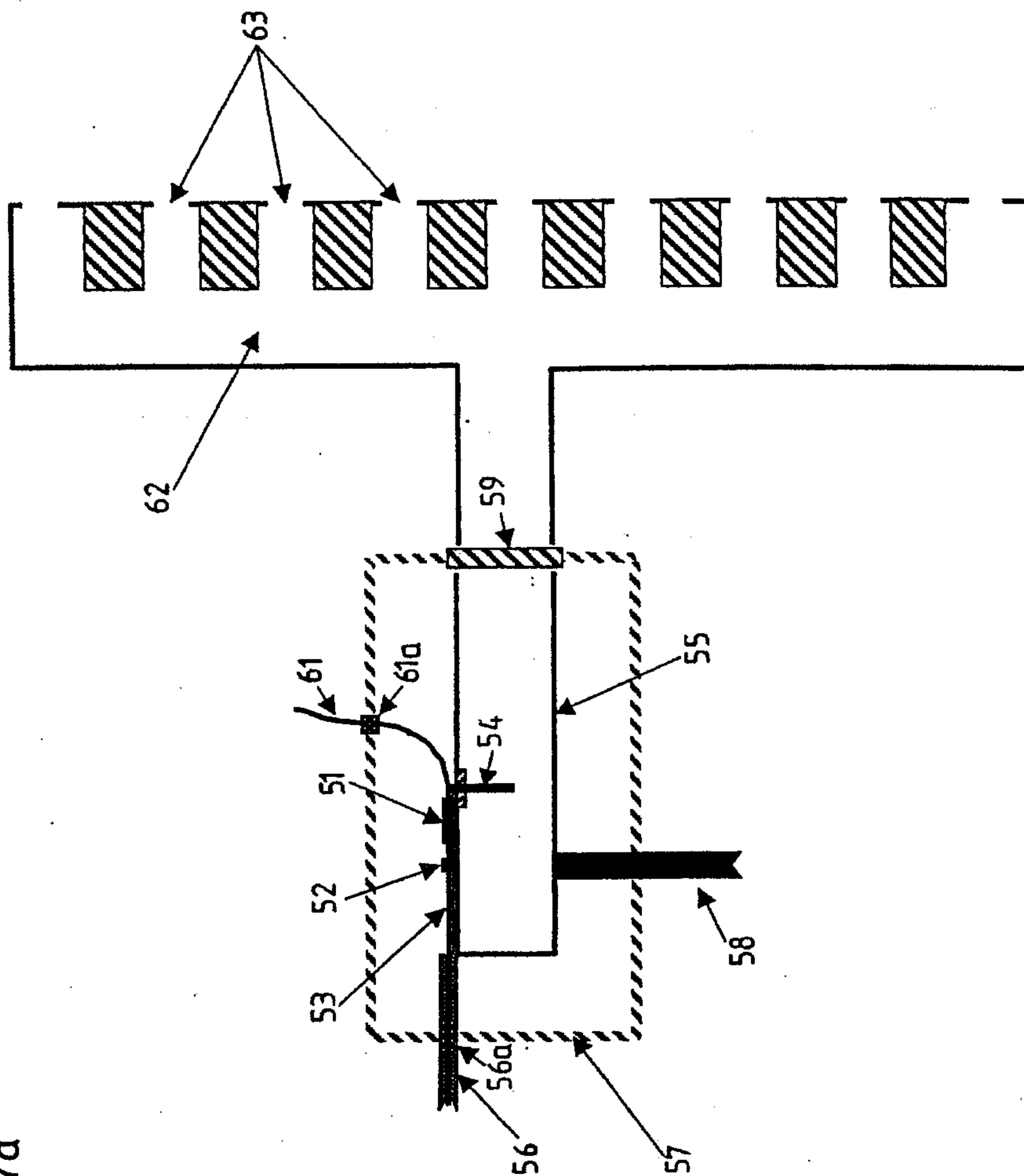


Fig. 7a

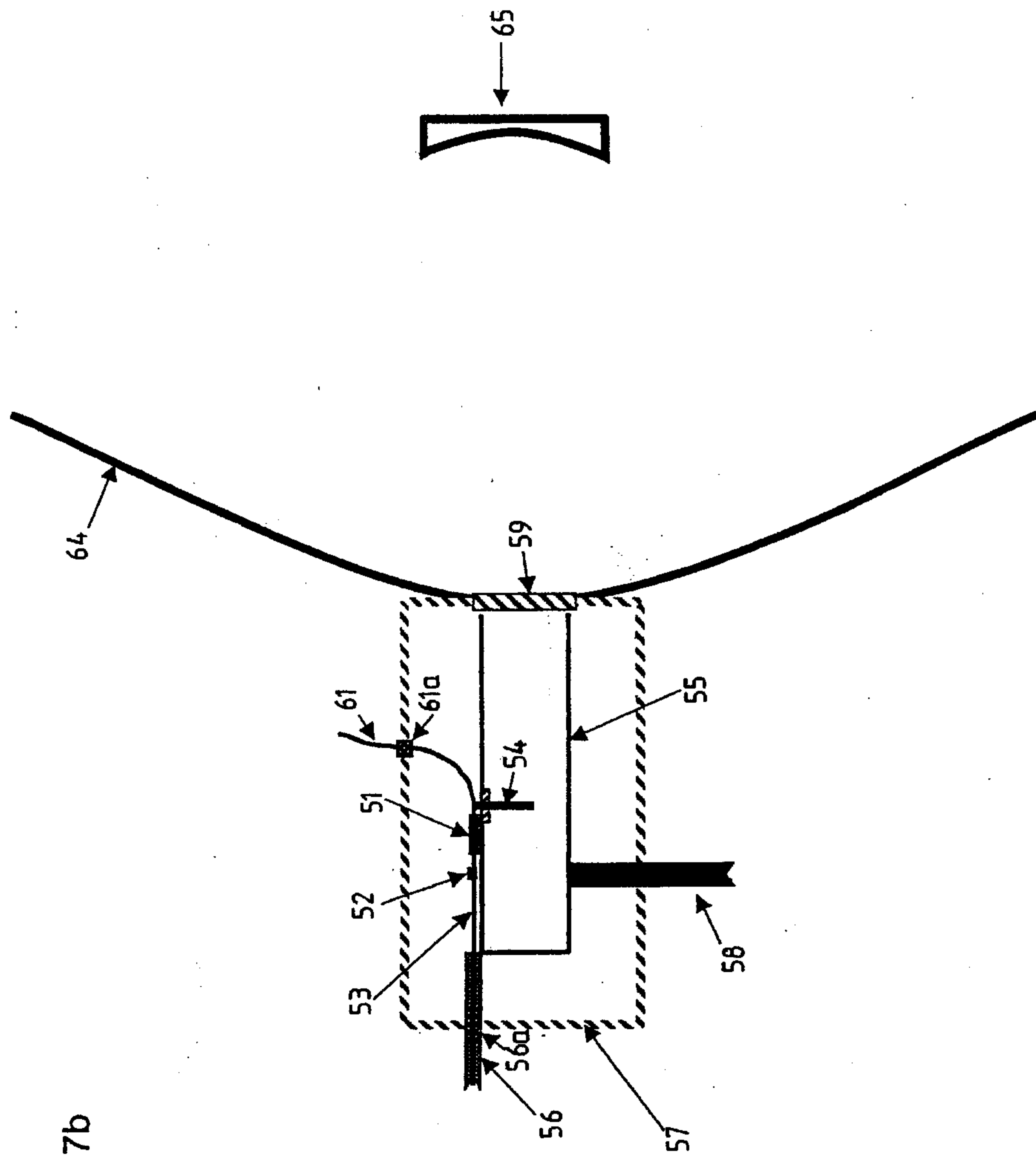
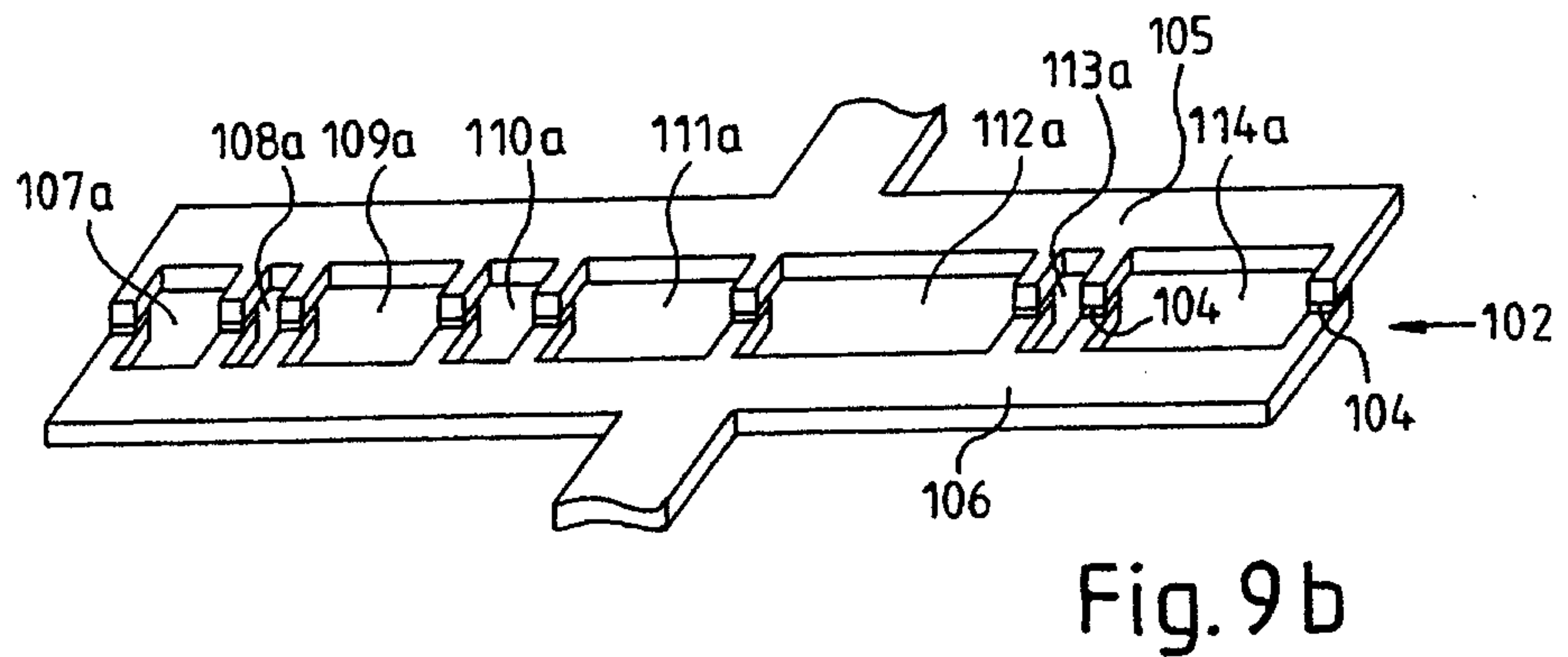
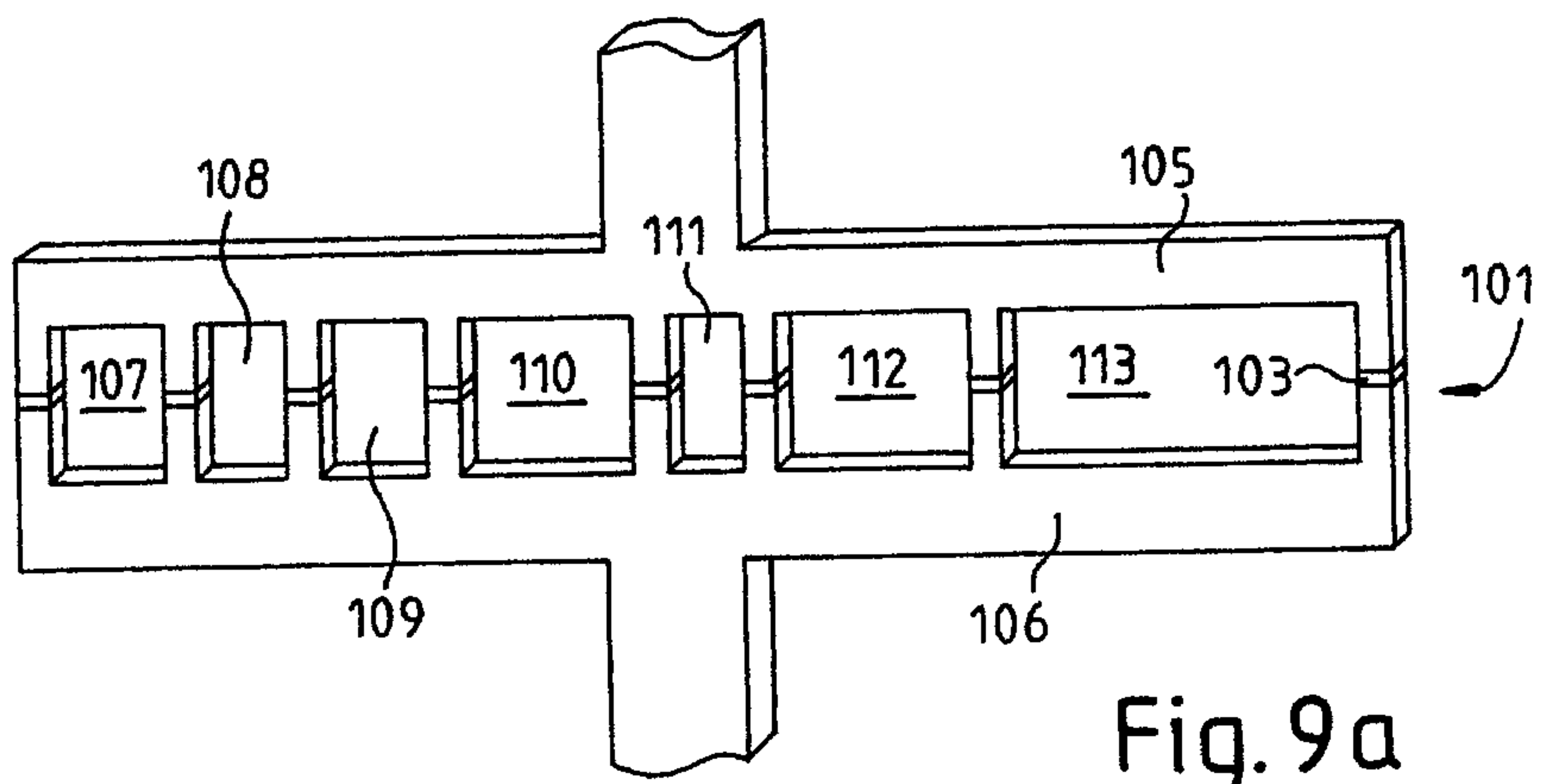


Fig. 7b



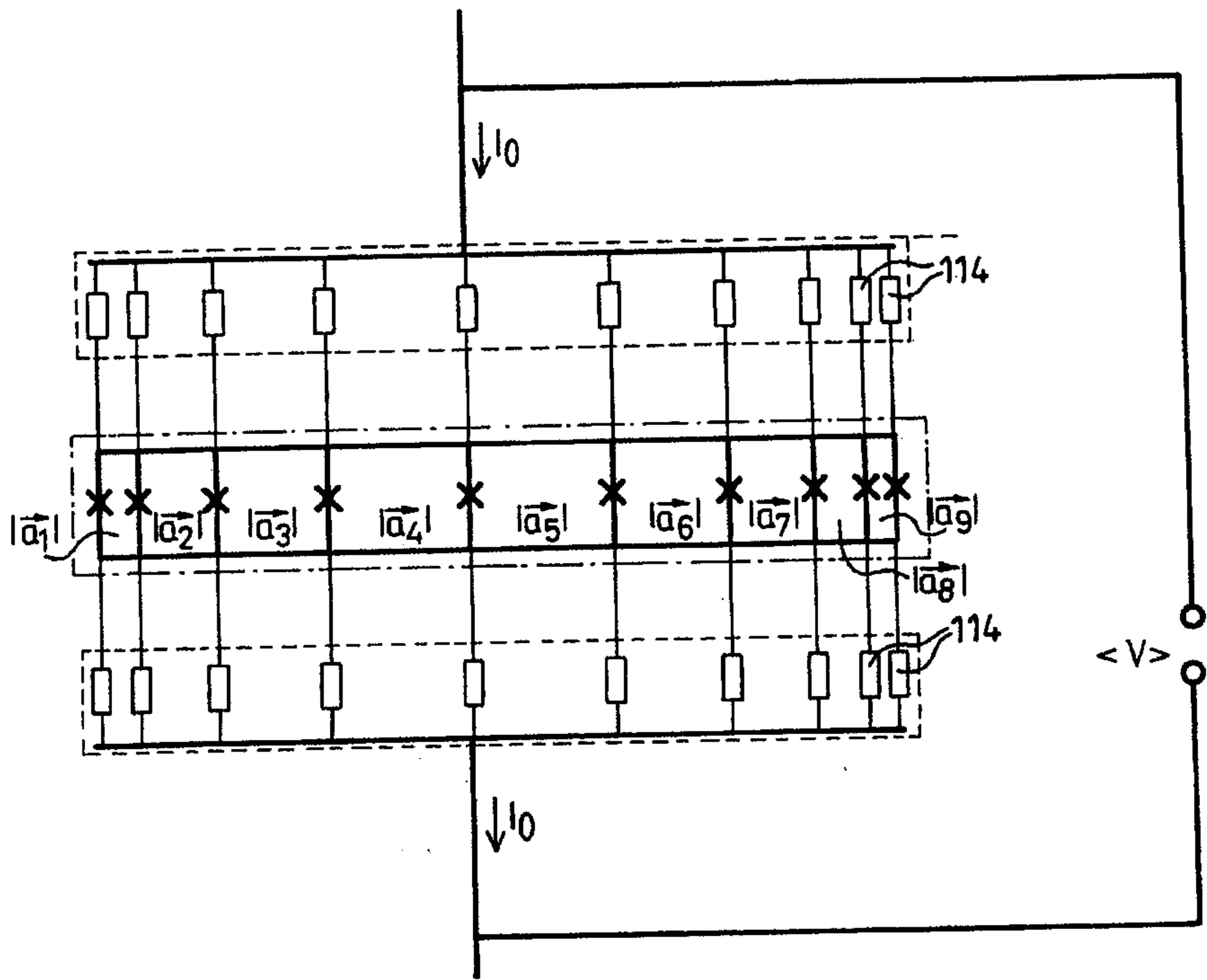


Fig.10

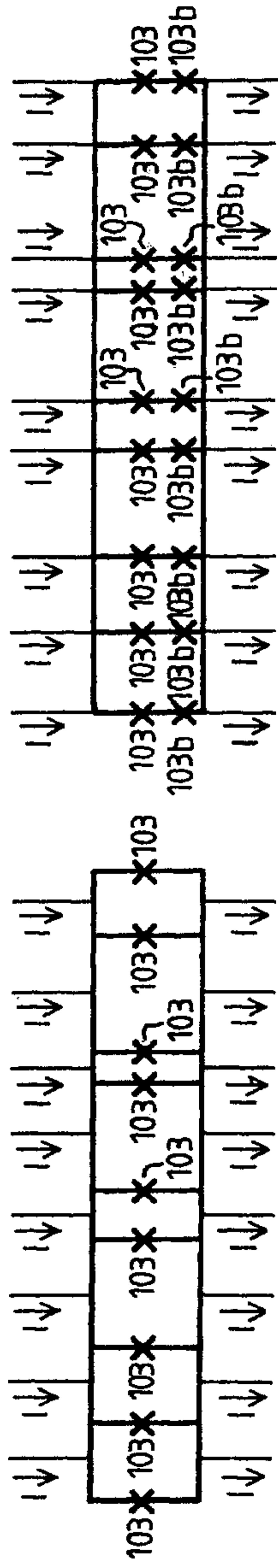


Fig. 10a

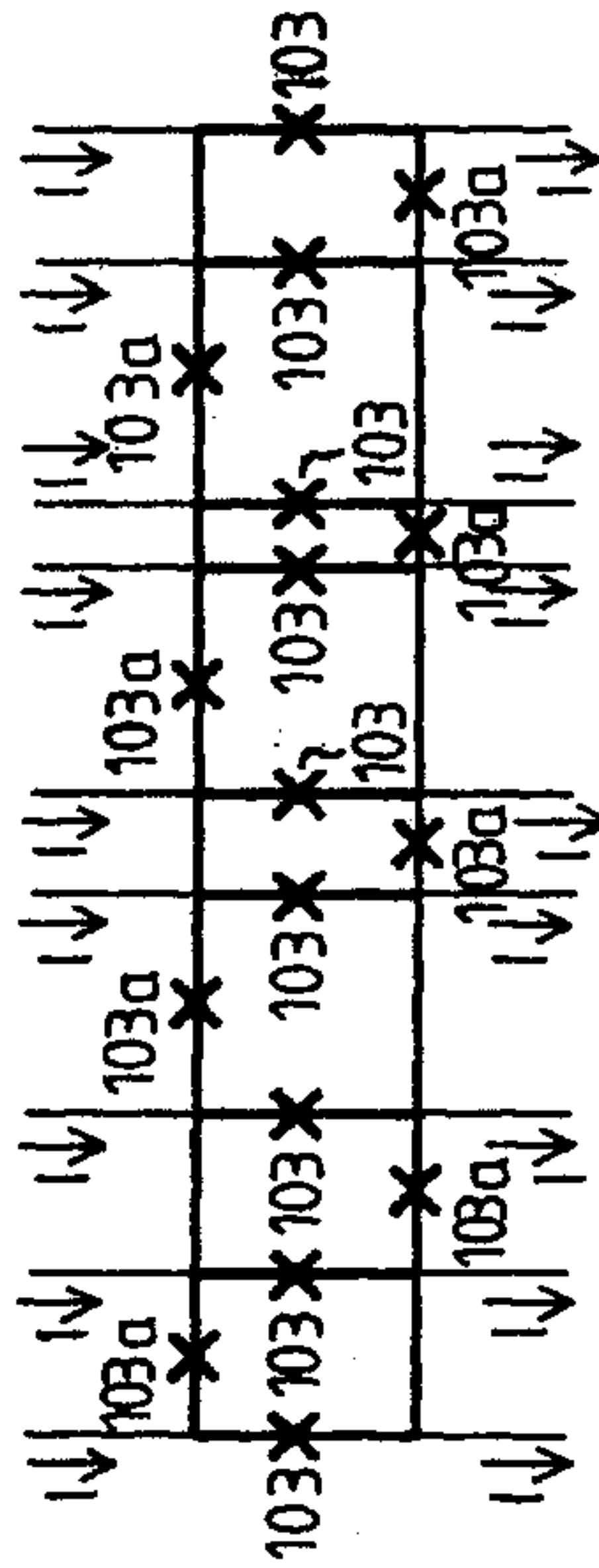


Fig. 10b

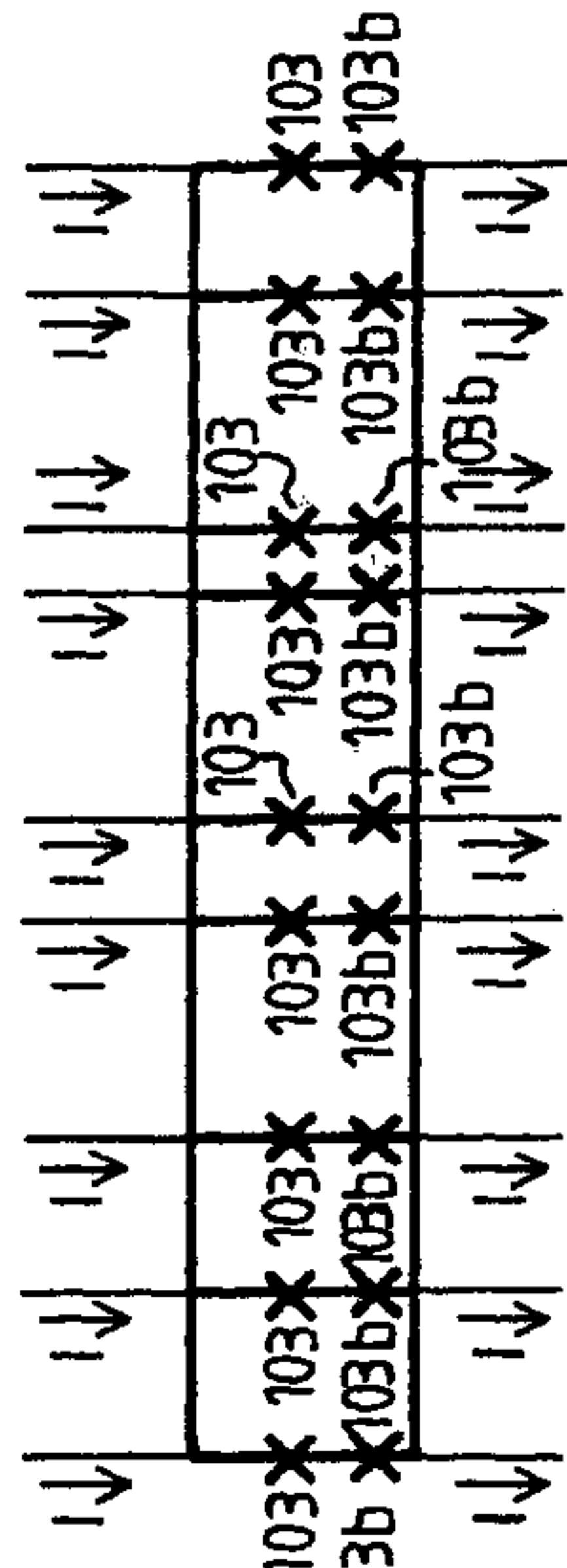


Fig. 10d

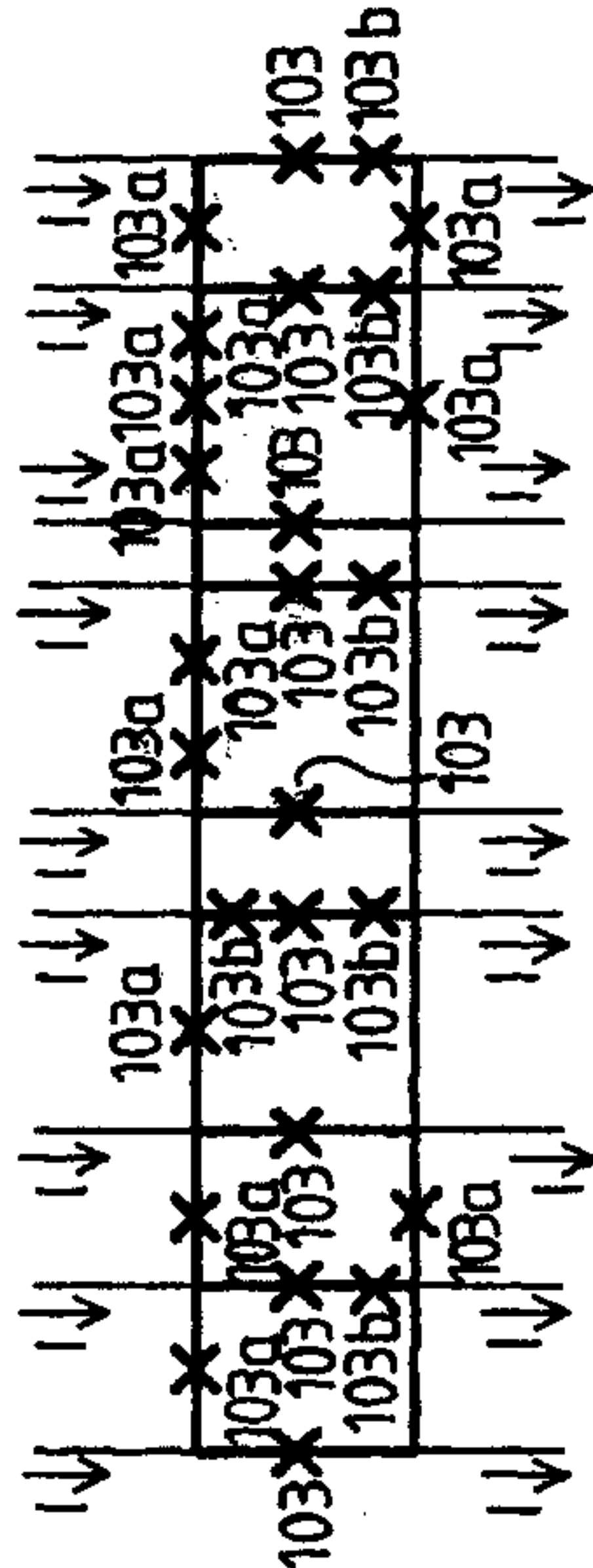


Fig. 10e

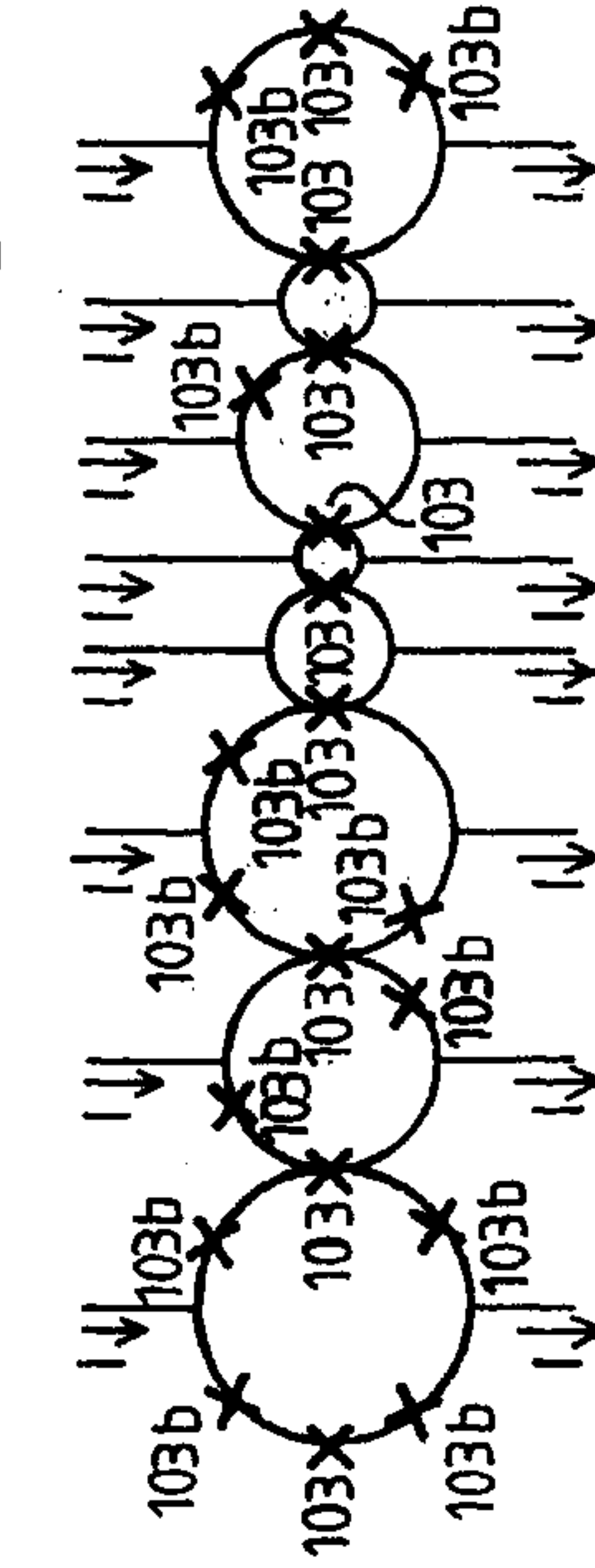


Fig. 10c

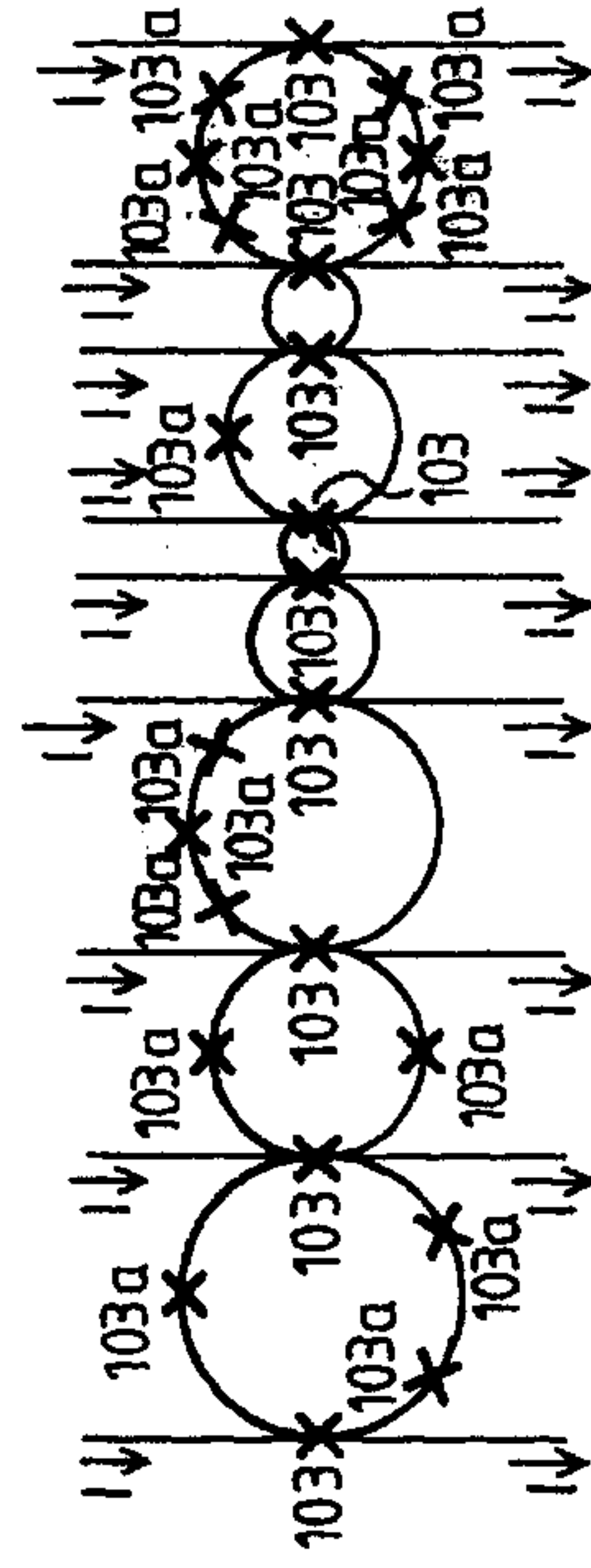


Fig. 10f

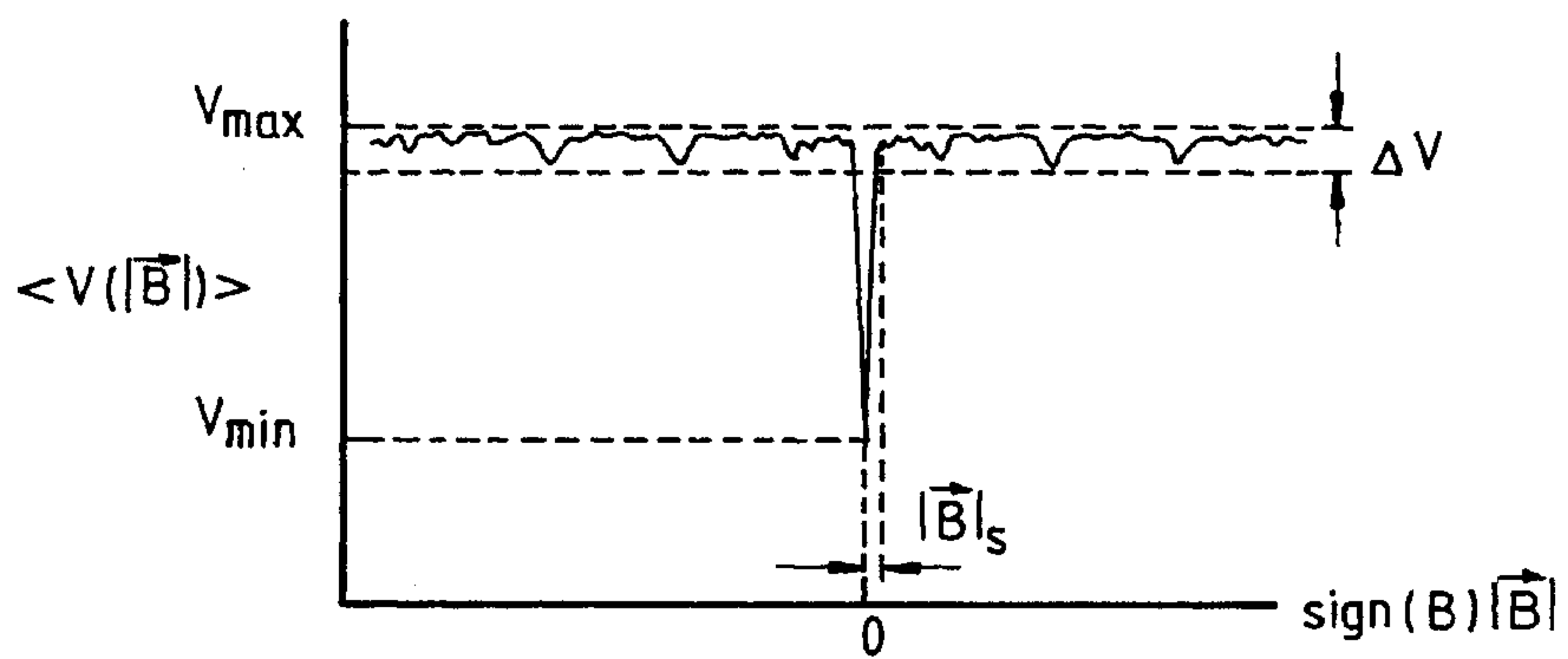
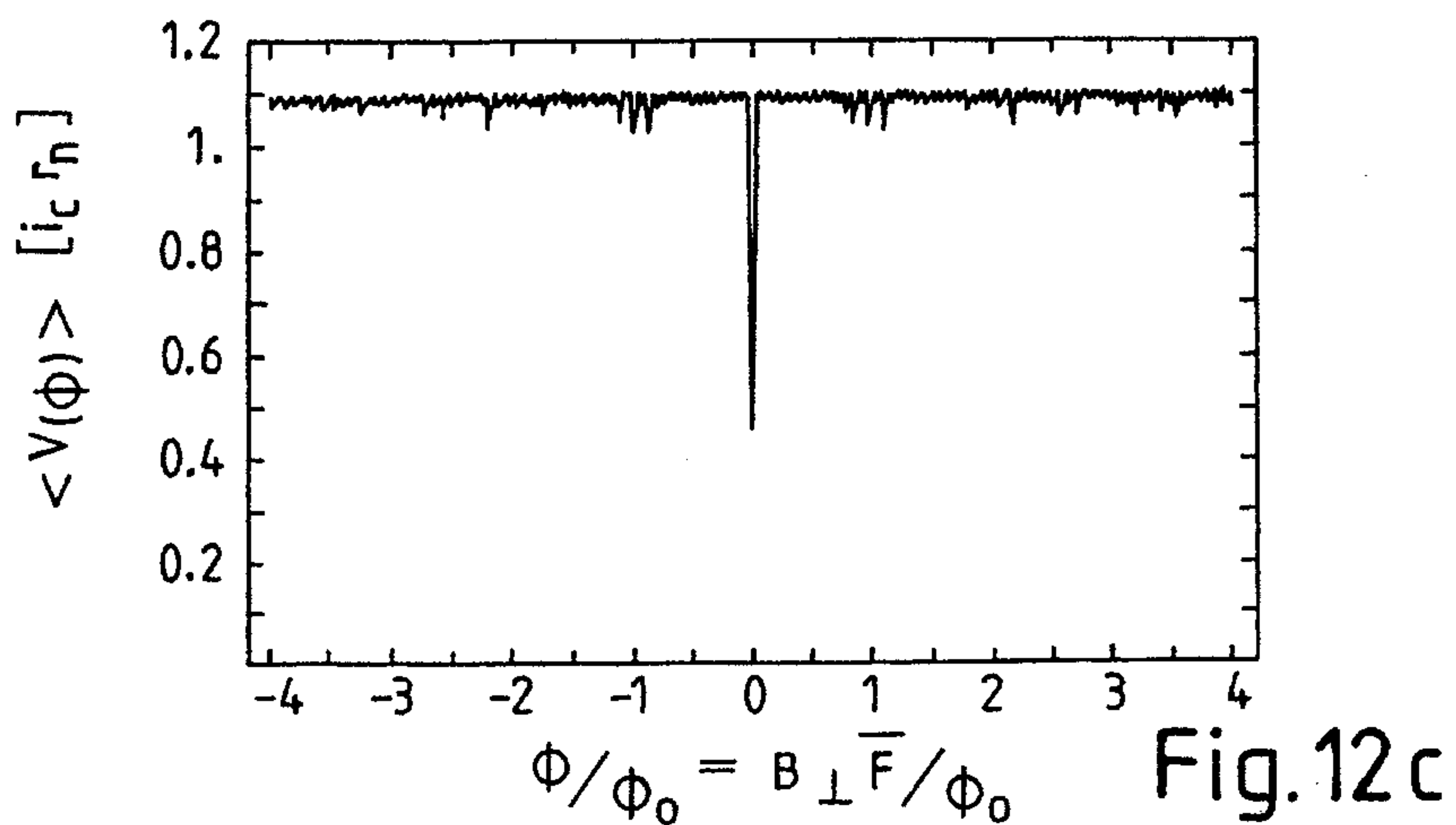
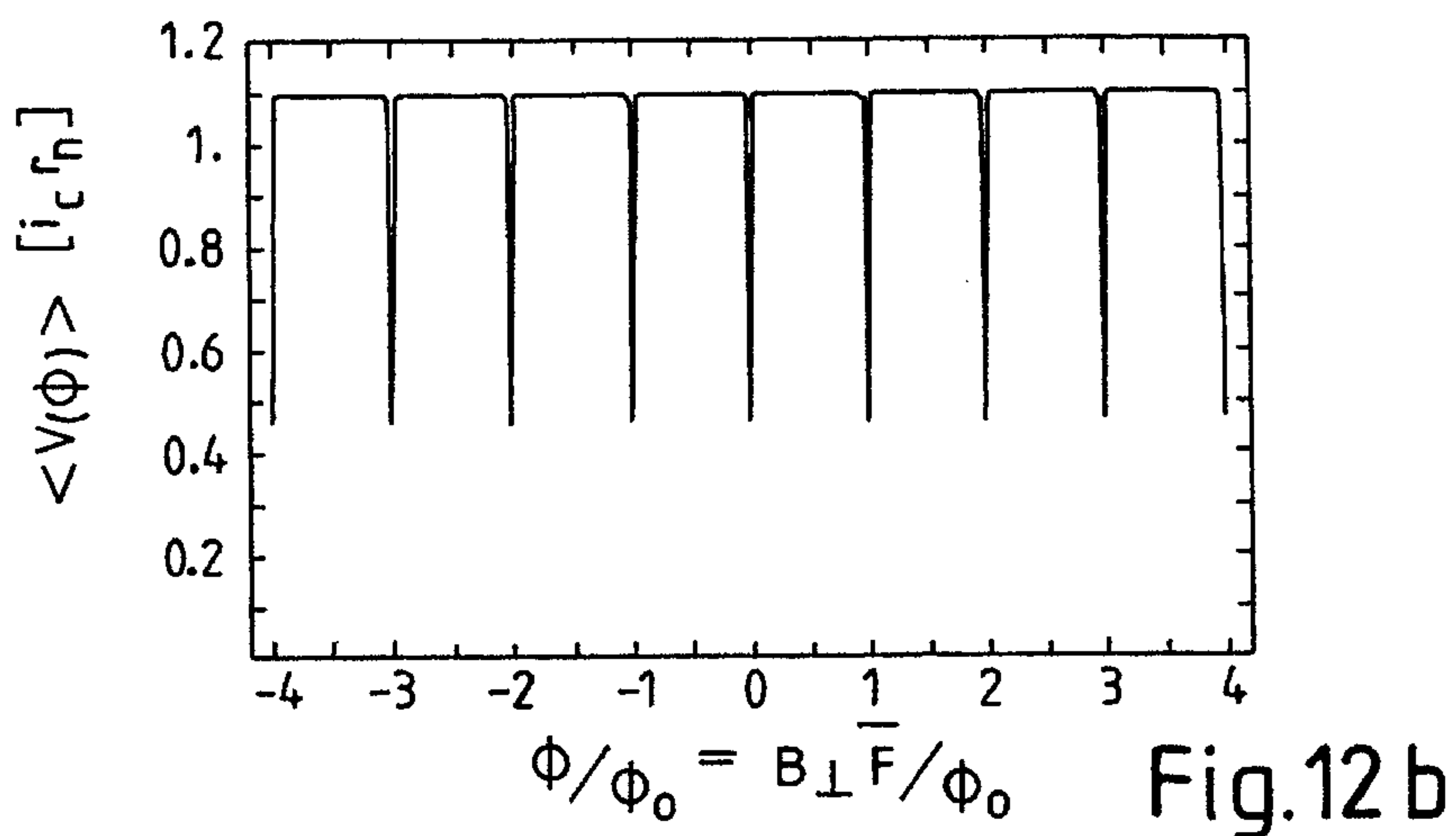
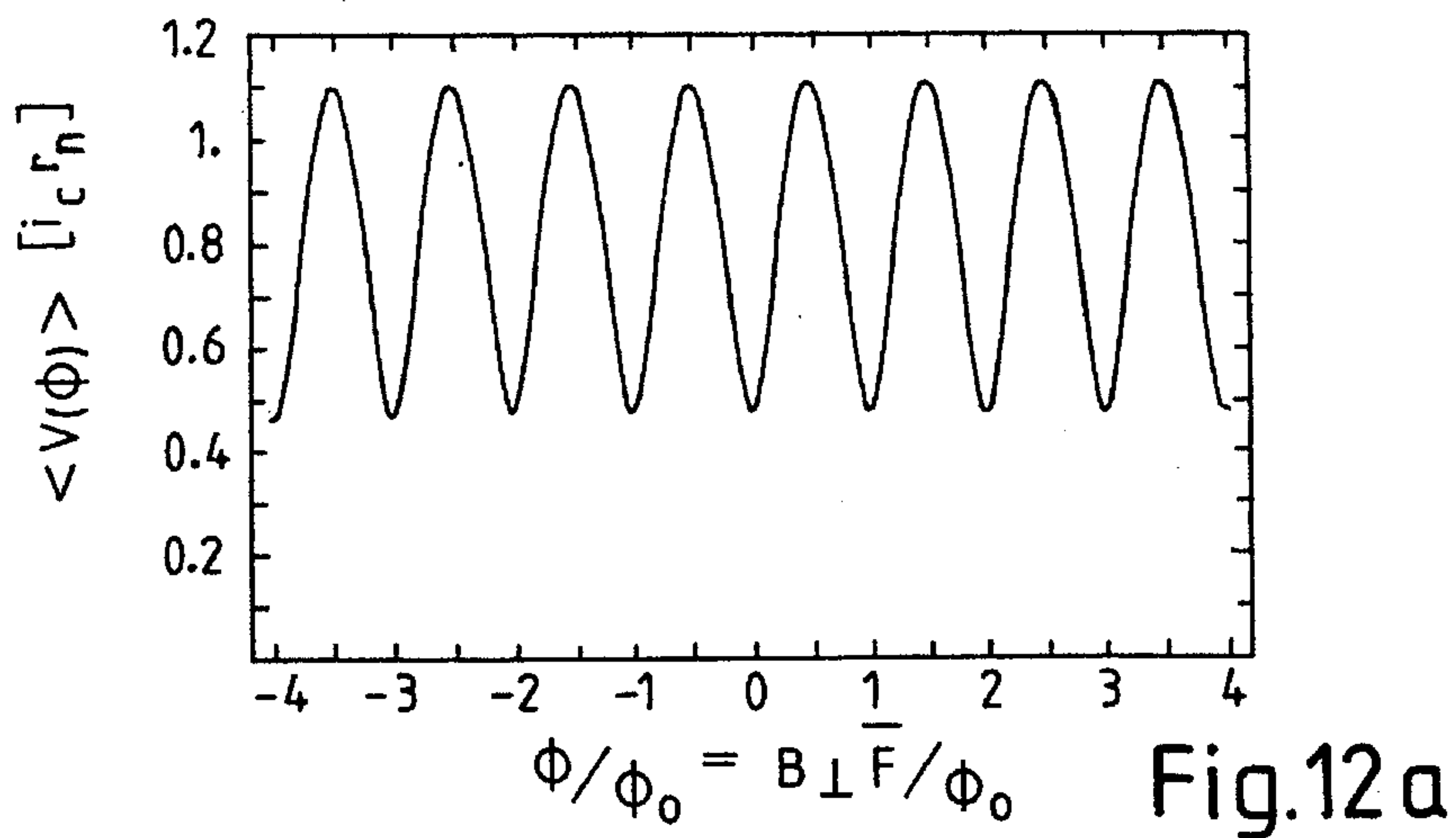


Fig.11



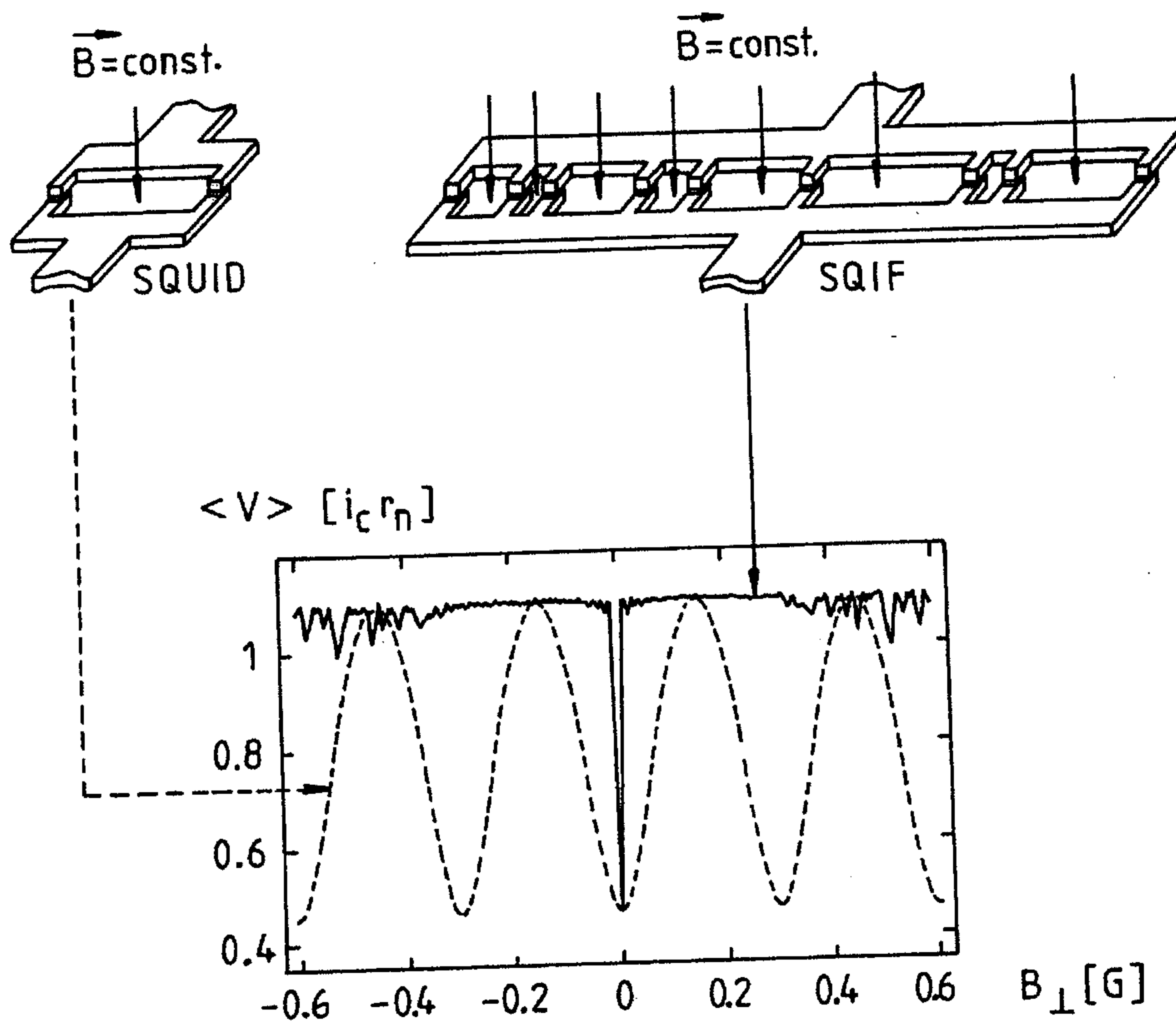


Fig.12d

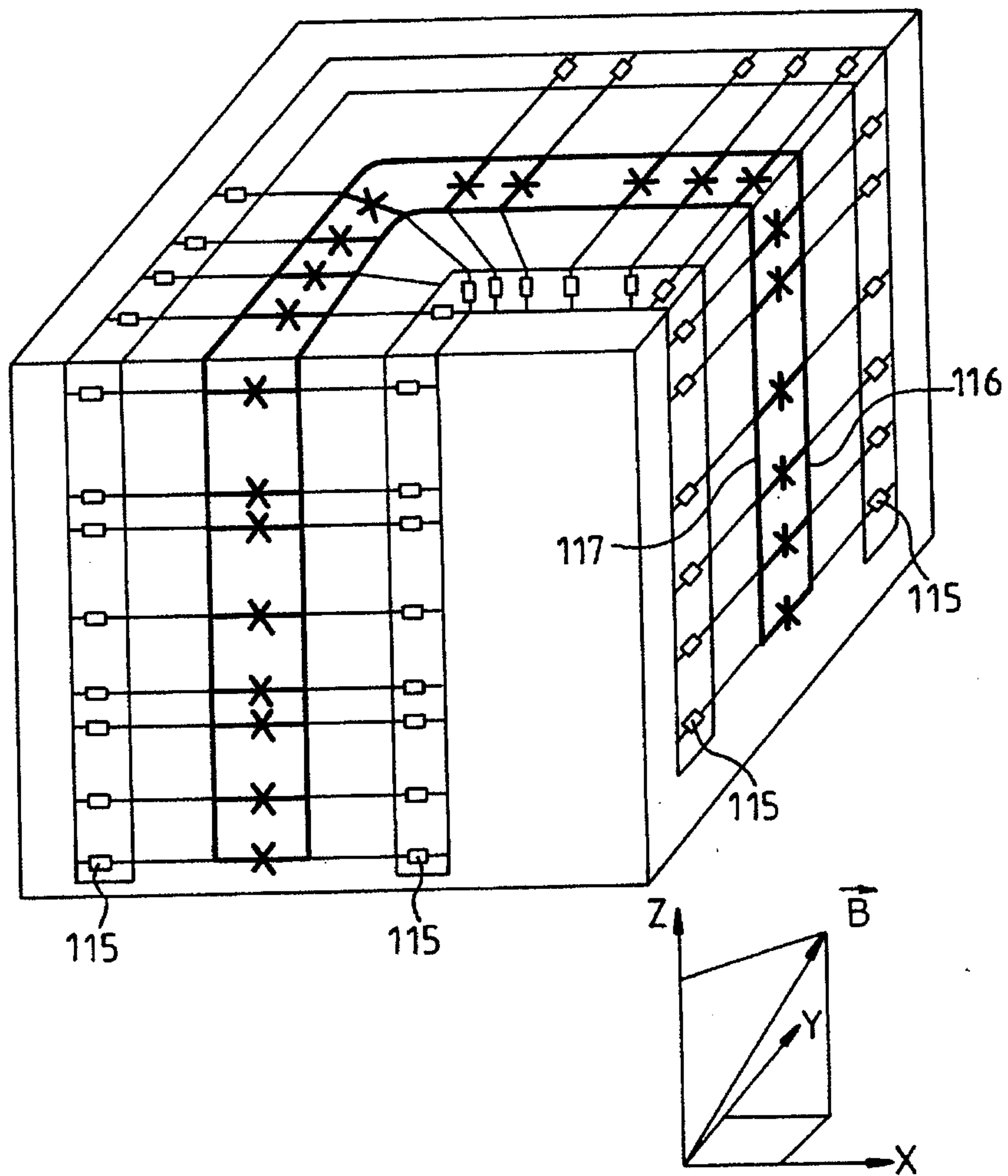


Fig. 13

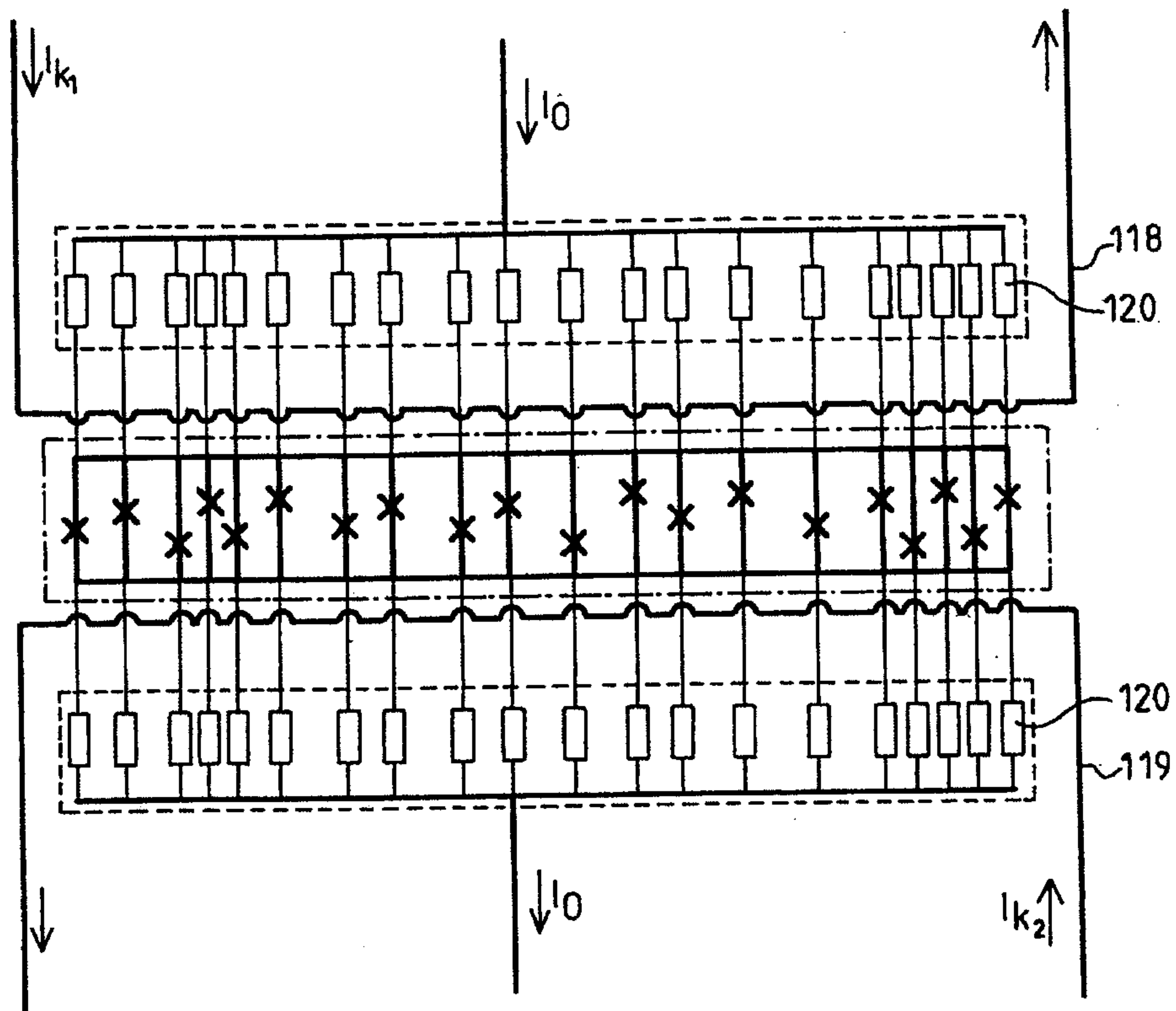


Fig. 14

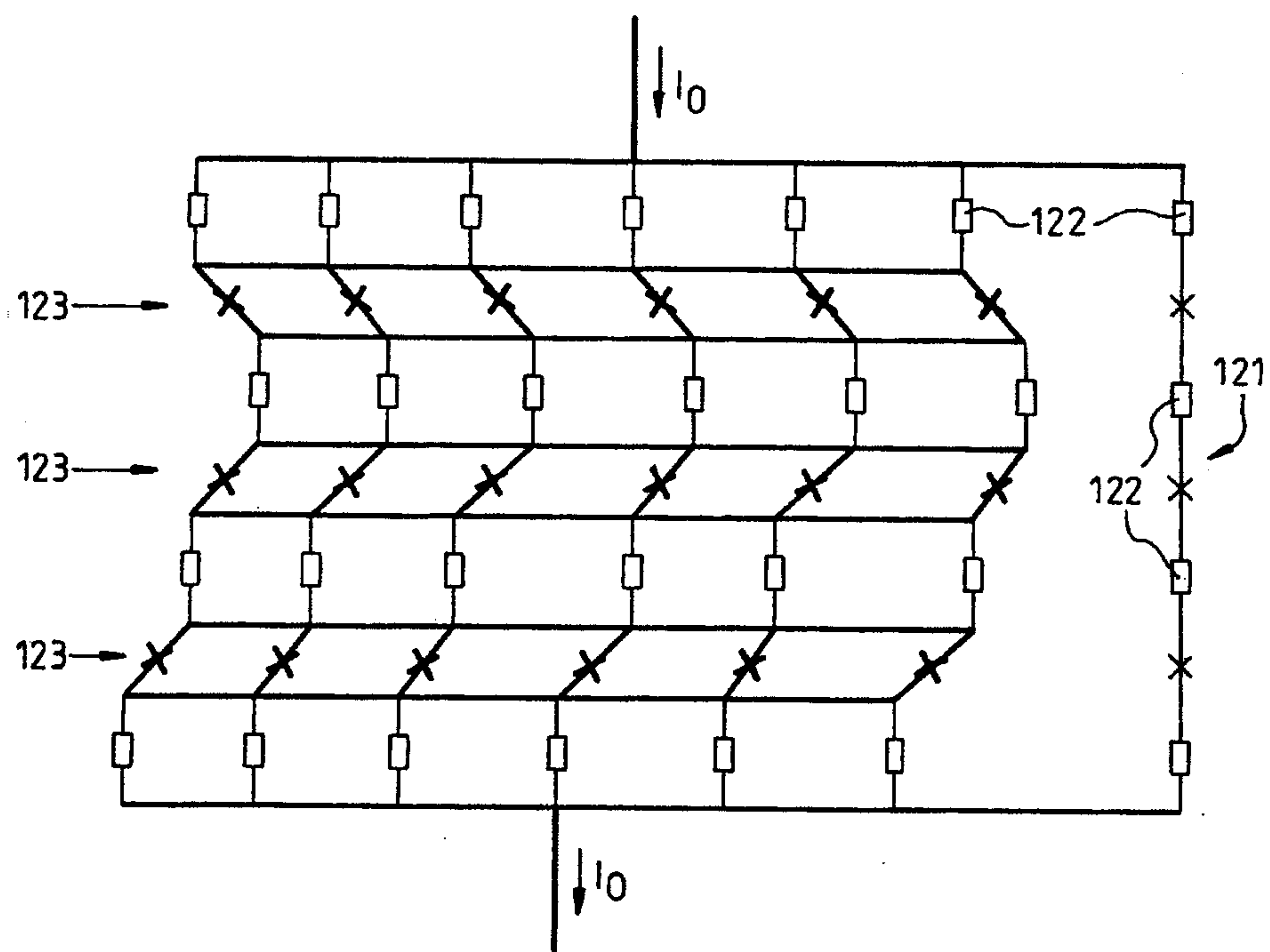


Fig.15

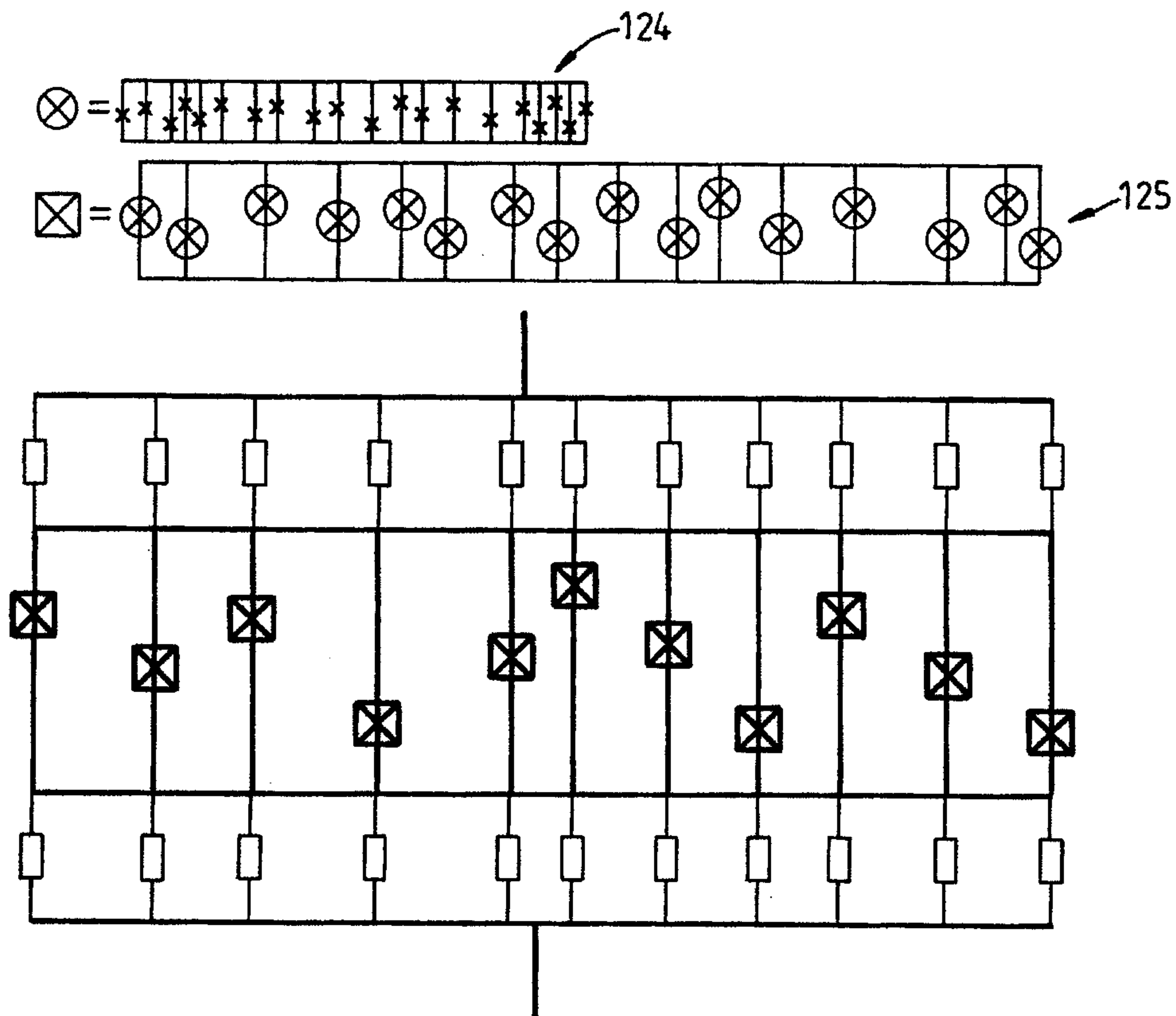
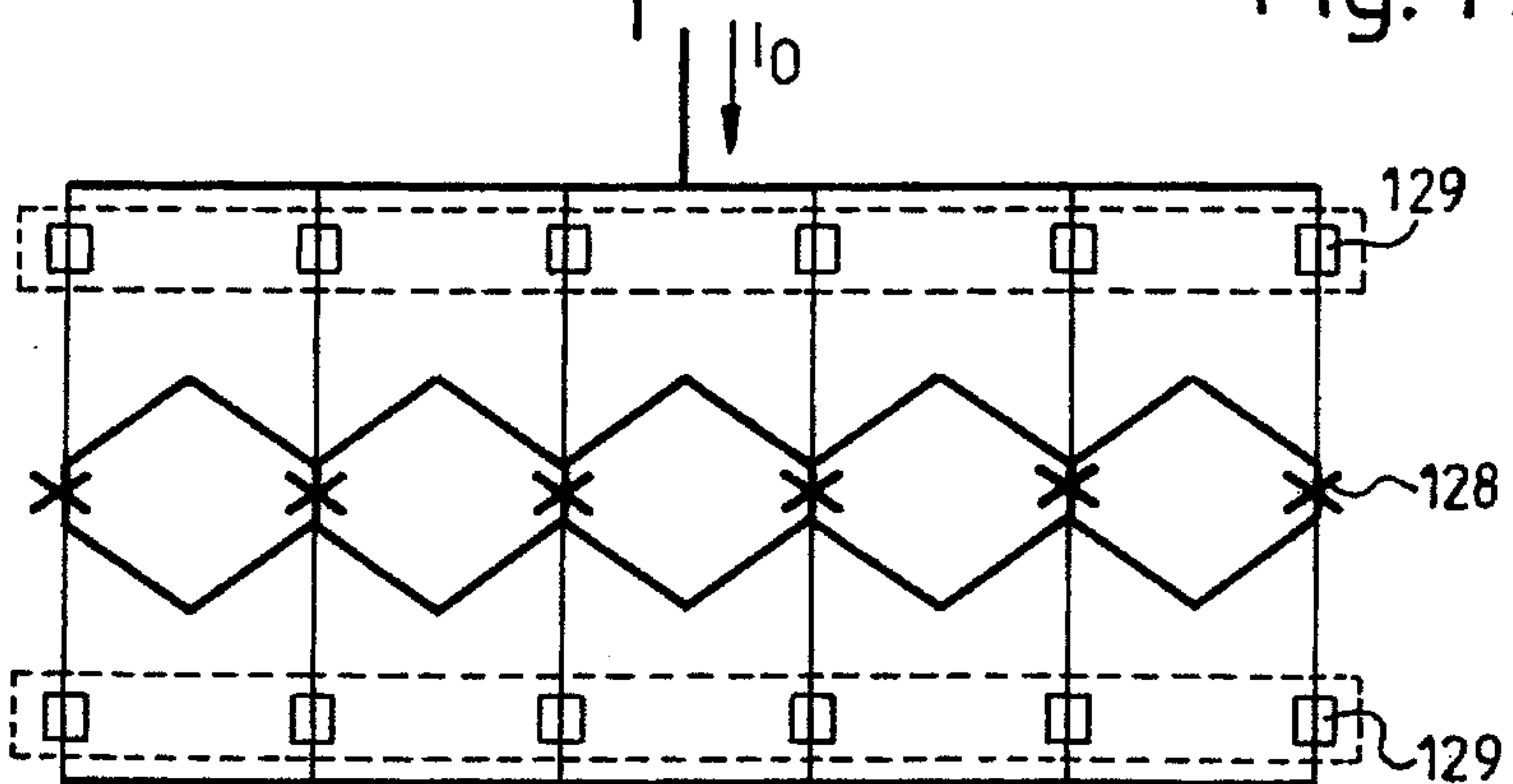
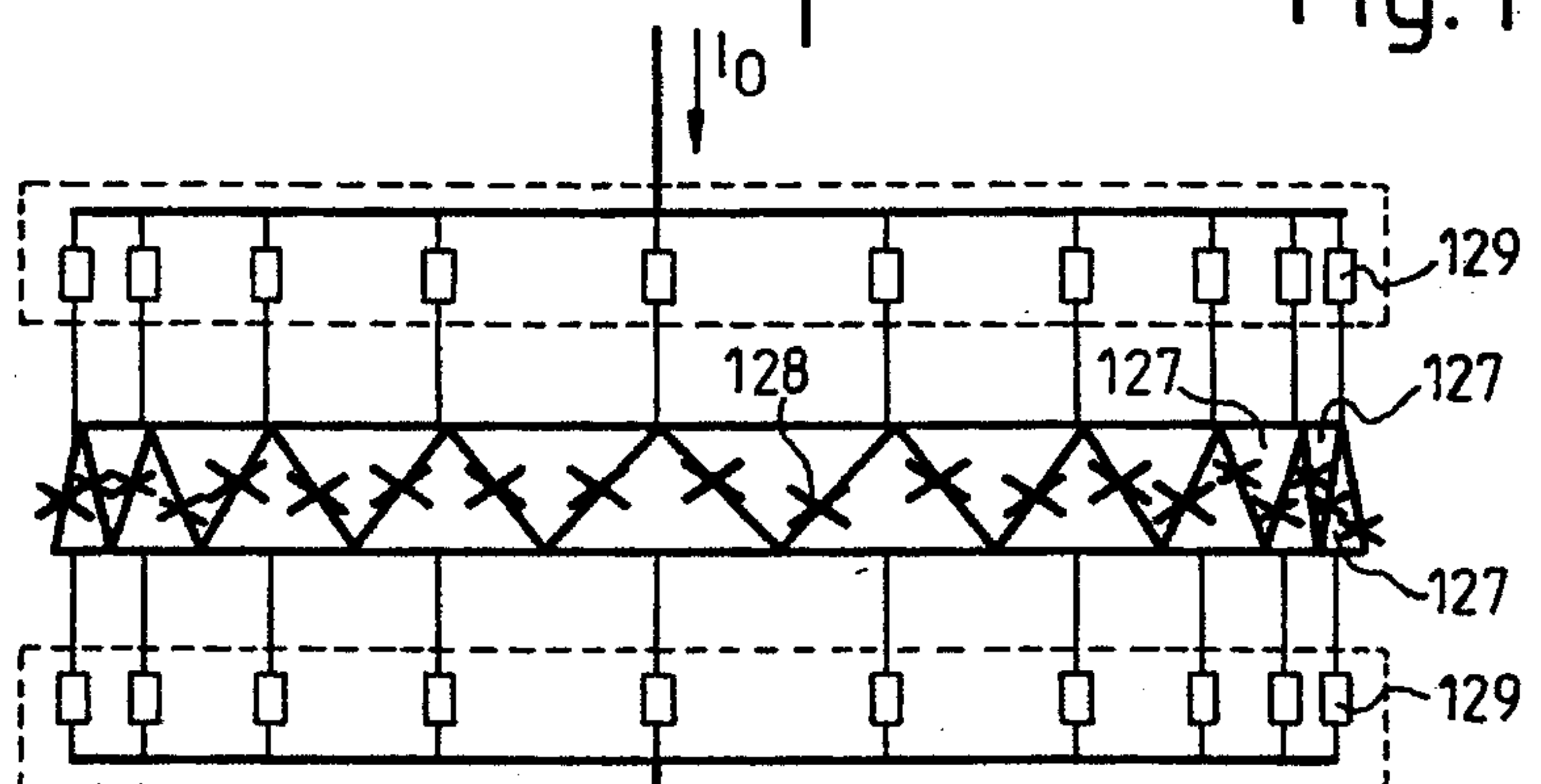
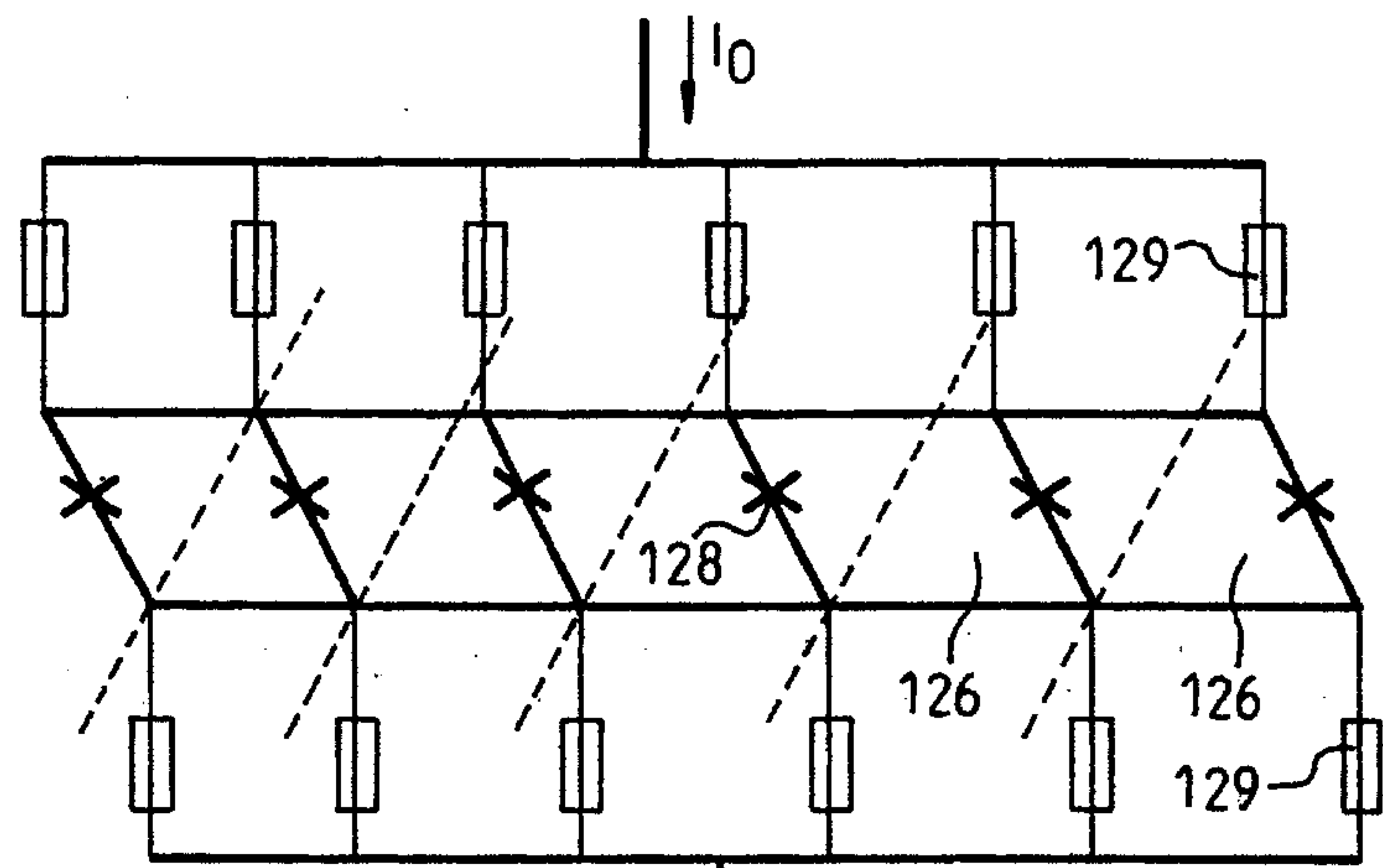


Fig. 16



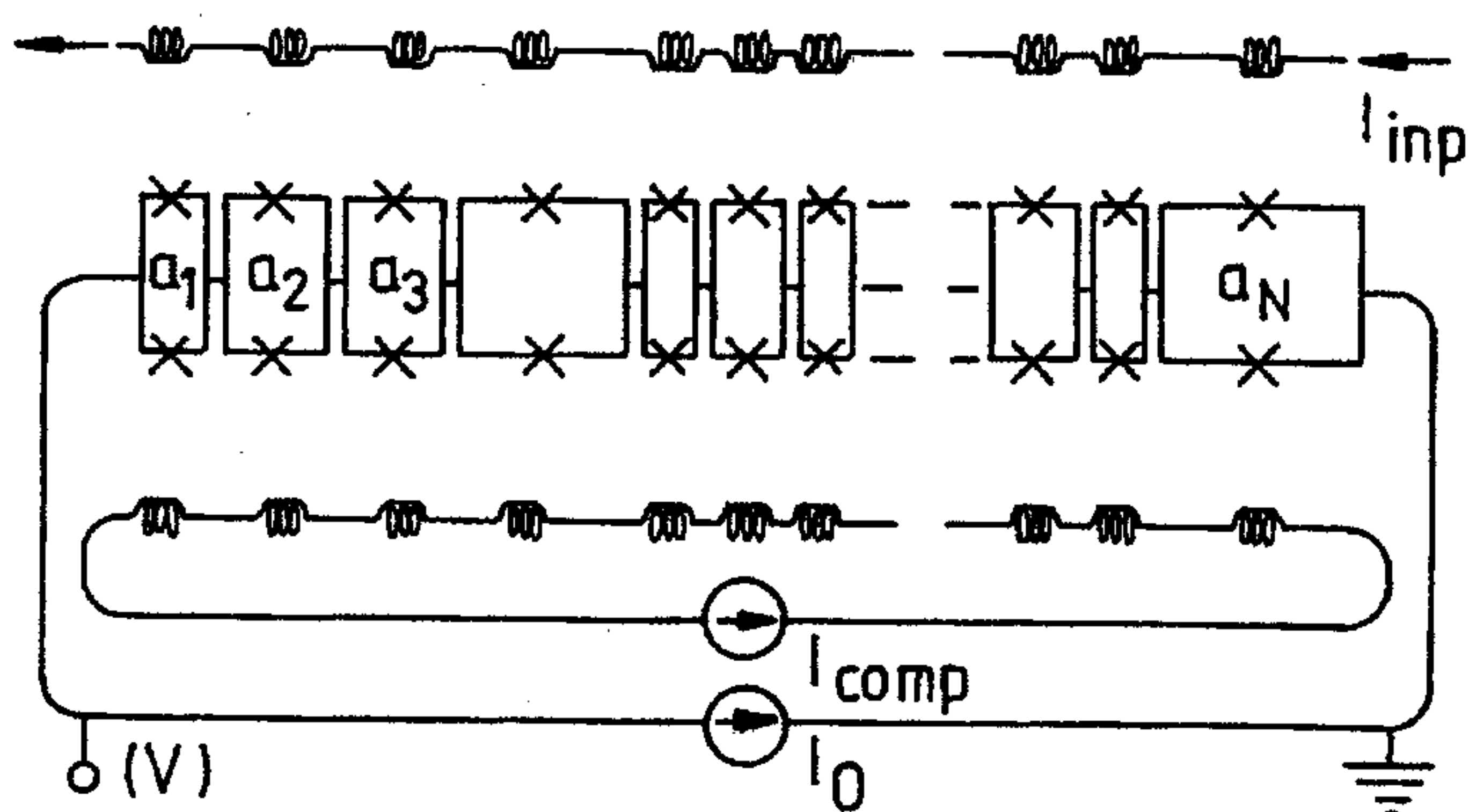


Fig.18 a

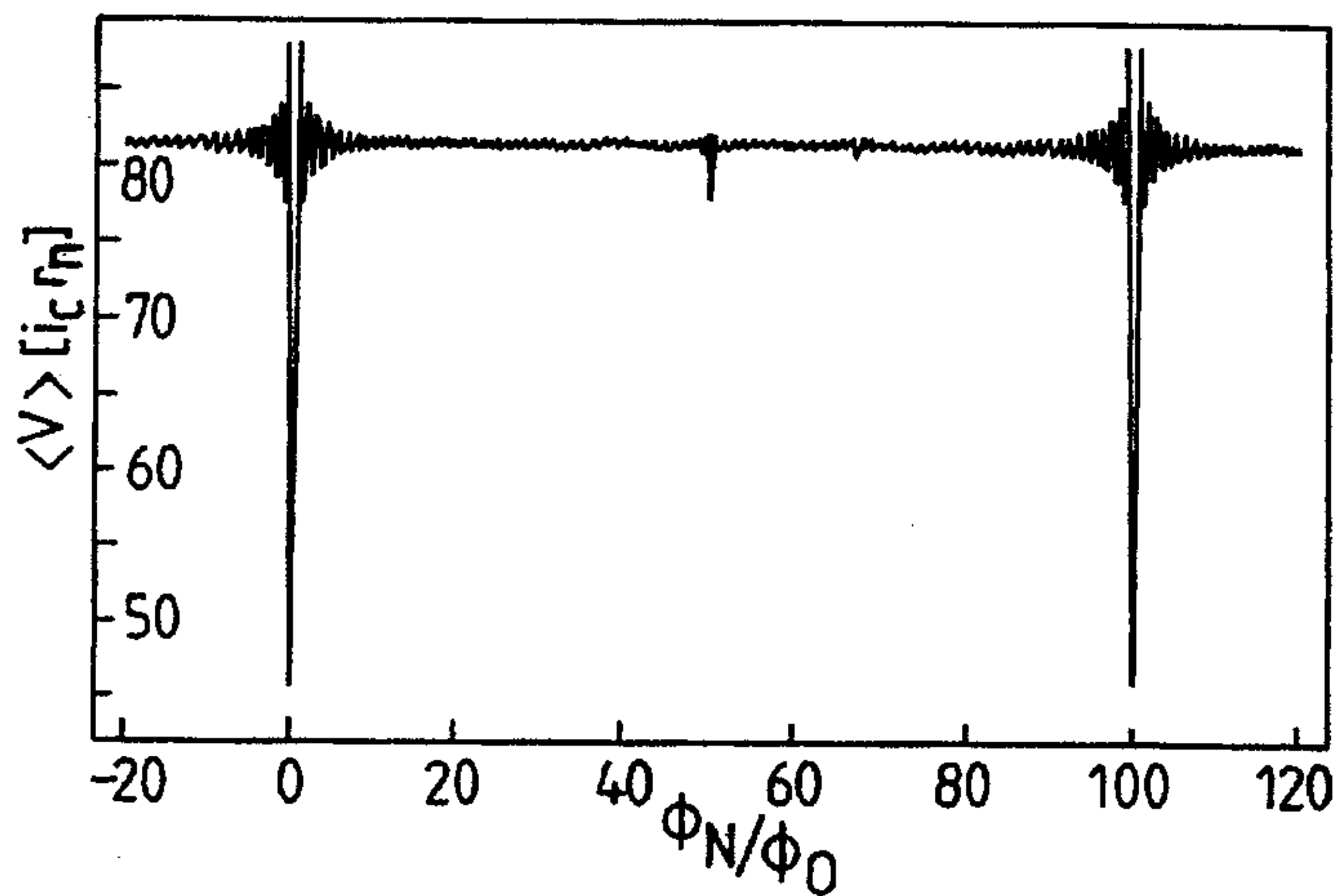


Fig.18 b

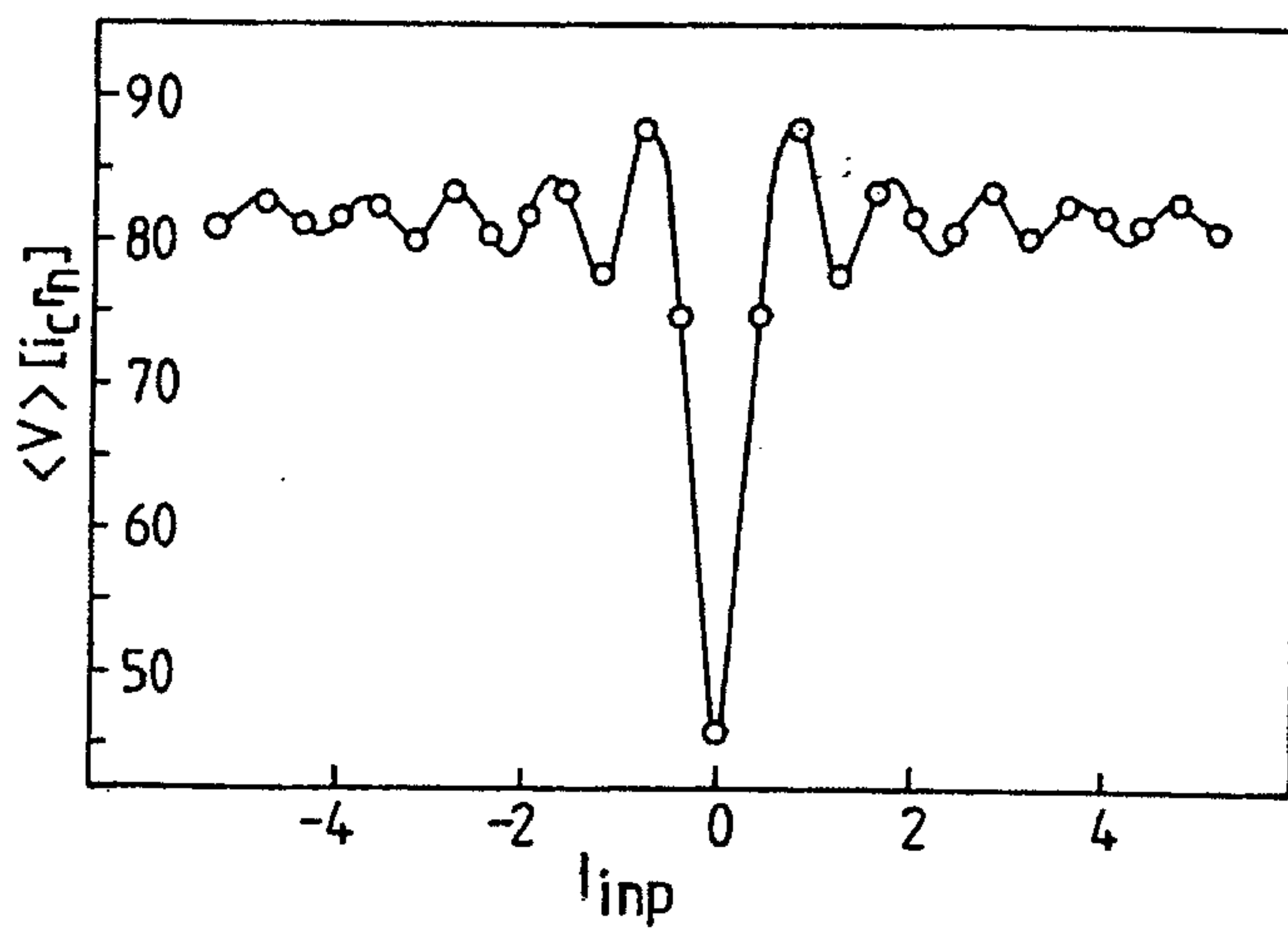


Fig.18 c

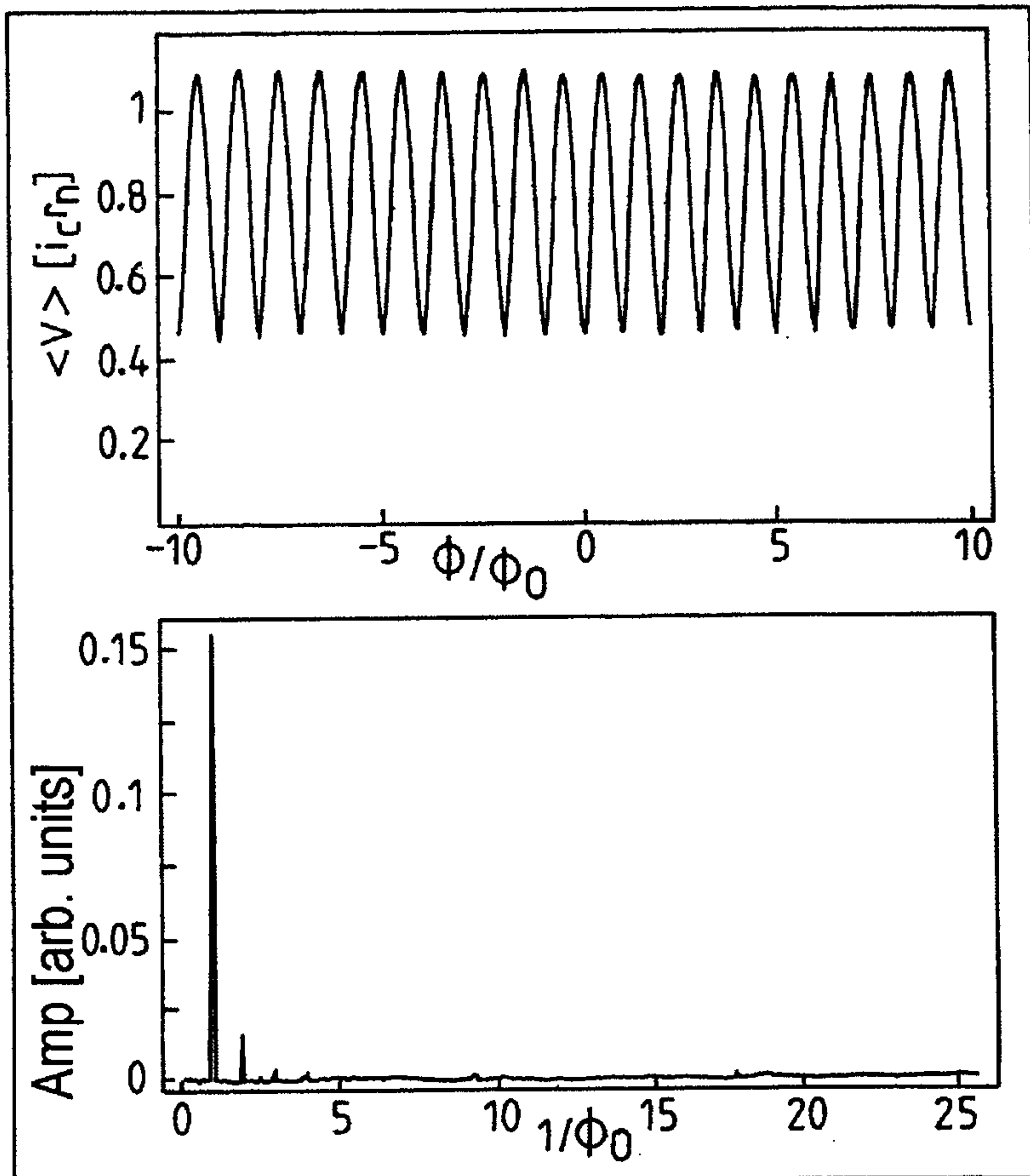


Fig. 19a

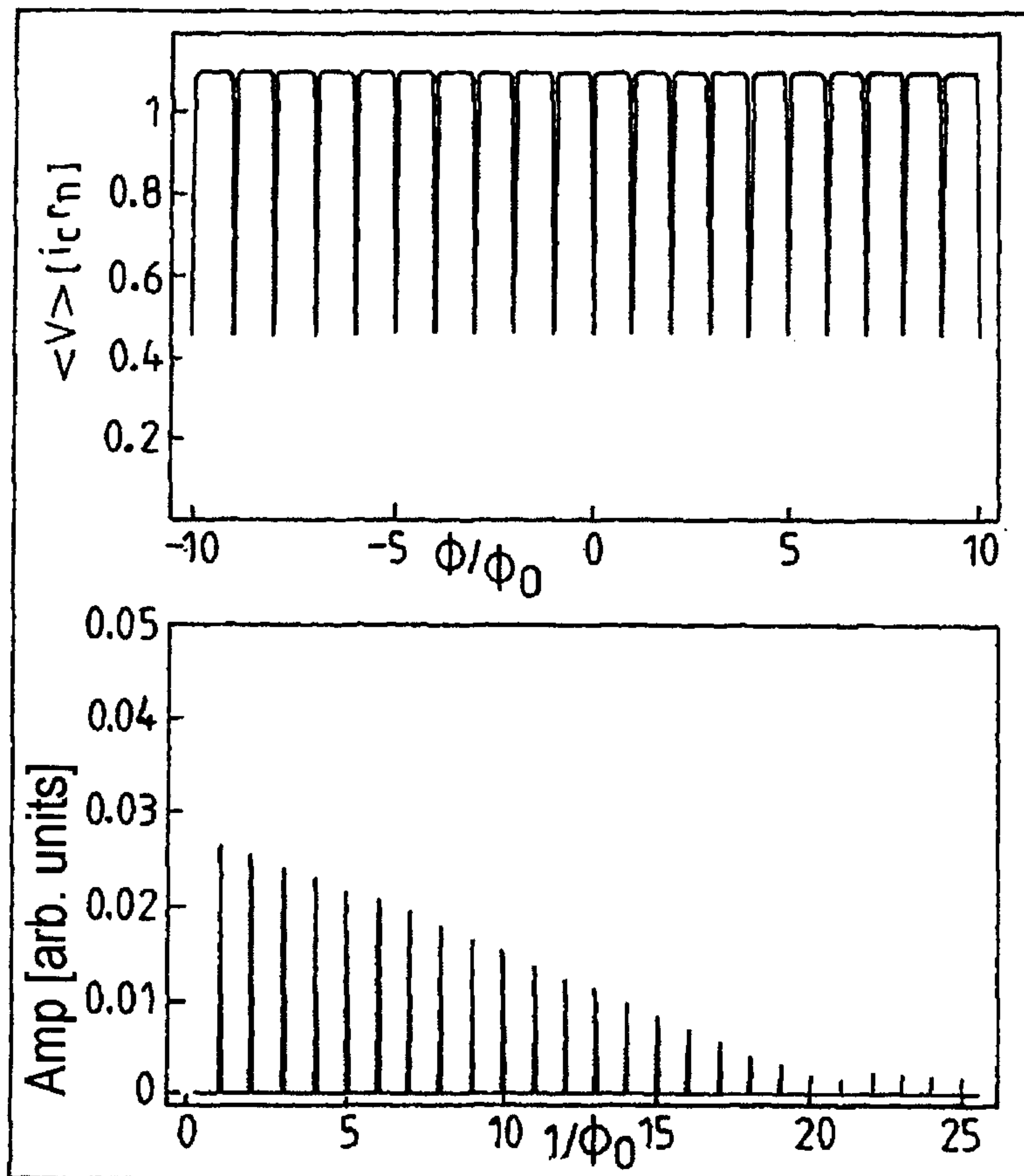


Fig. 19b

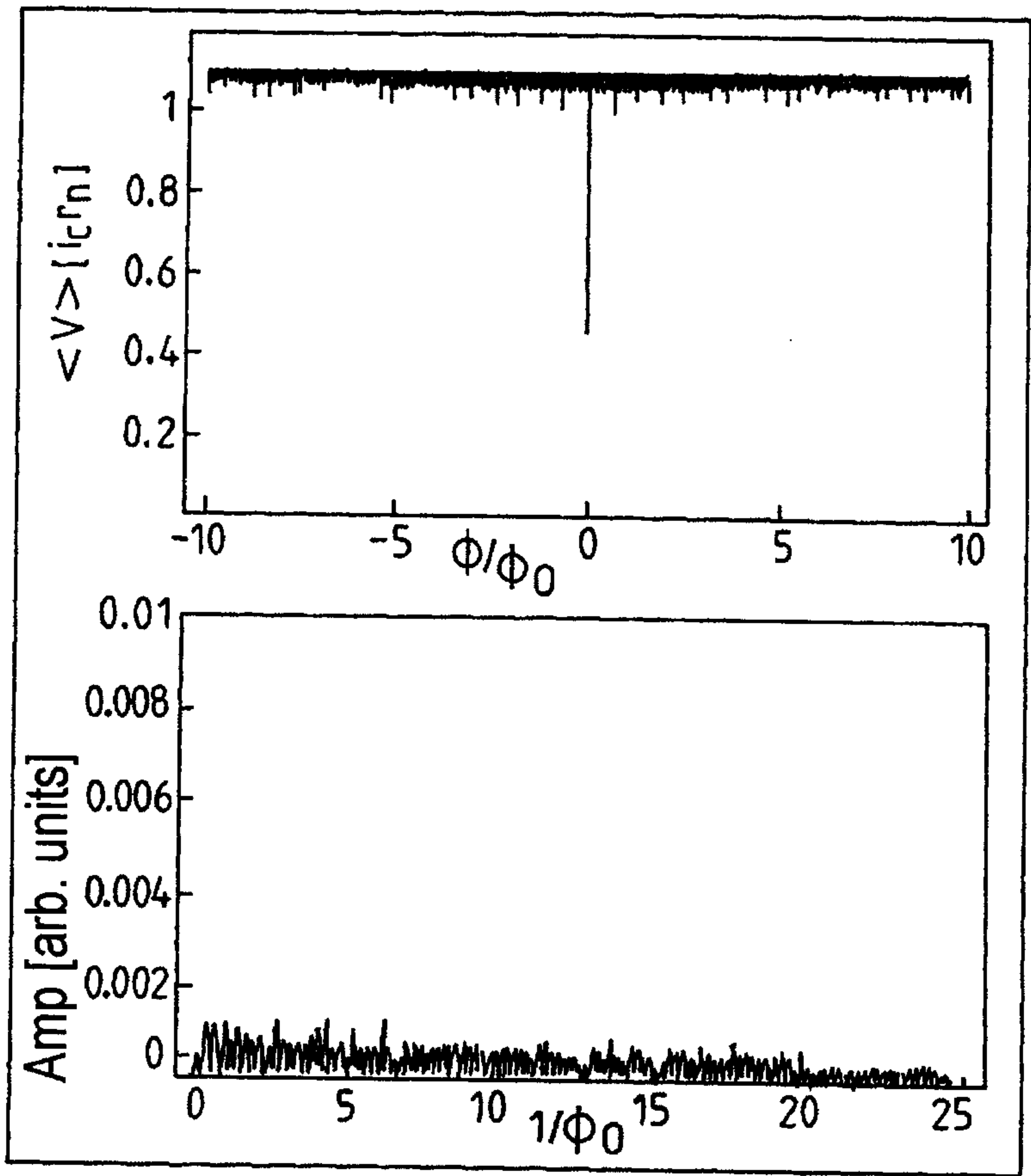


Fig. 19 c

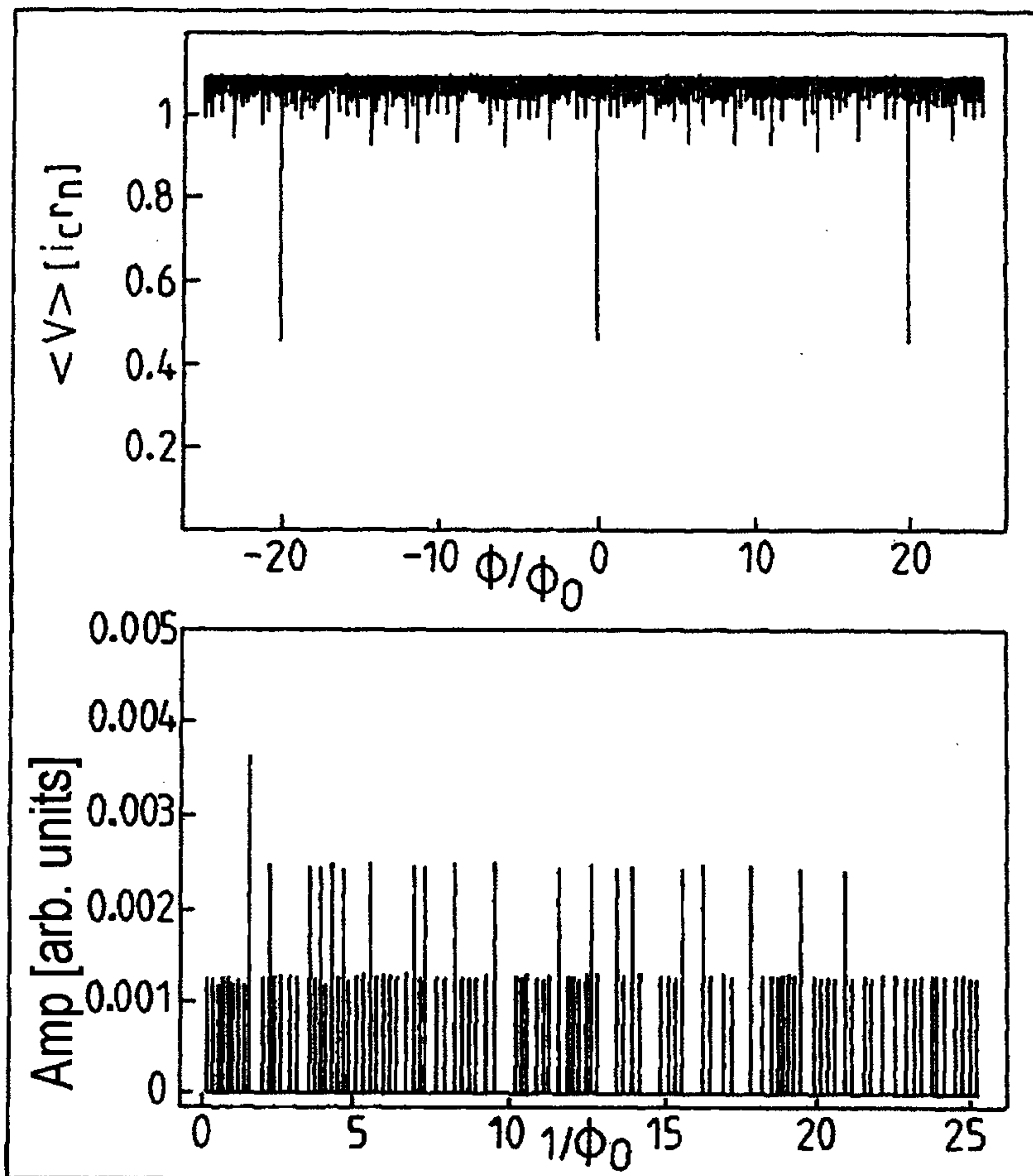


Fig. 19d

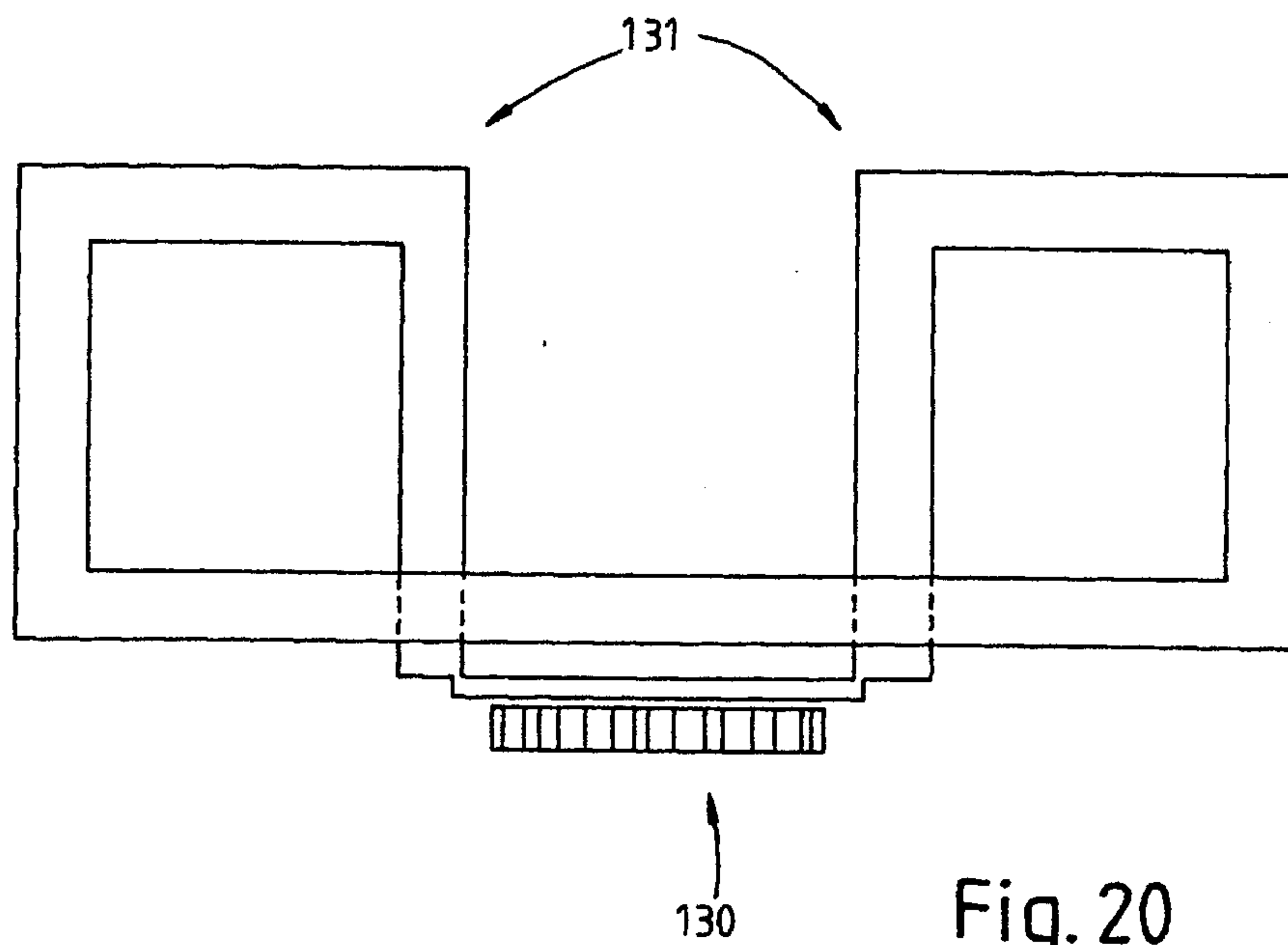


Fig. 20