

(19) World Intellectual Property Organization  
International Bureau



(43) International Publication Date  
27 December 2001 (27.12.2001)

PCT

(10) International Publication Number  
WO 01/99377 A3

(51) International Patent Classification<sup>7</sup>: H04L 29/06  
(21) International Application Number: PCT/EP01/07168  
(22) International Filing Date: 25 June 2001 (25.06.2001)  
(25) Filing Language: English  
(26) Publication Language: English  
(30) Priority Data:  
00401808.1 23 June 2000 (23.06.2000) EP  
(71) Applicant (for all designated States except US): MATRA  
NORTEL COMMUNICATIONS [FR/FR]; 50, rue du  
Président Sadate, F-29000 Quimper Cédex 9 (FR).

(81) Designated States (national): AE, AG, AL, AM, AT, AU, AZ, BA, BB, BG, BR, BY, BZ, CA, CH, CN, CO, CR, CU, CZ, DE, DK, DM, DZ, EE, ES, FI, GB, GD, GE, GH, GM, HR, HU, ID, IL, IN, IS, JP, KE, KG, KP, KR, KZ, LC, LK, LR, LS, LT, LU, LV, MA, MD, MG, MK, MN, MW, MX, MZ, NO, NZ, PL, PT, RO, RU, SD, SE, SG, SI, SK, SL, TJ, TM, TR, TT, TZ, UA, UG, US, UZ, VN, YU, ZA, ZW.  
(84) Designated States (regional): ARIPO patent (GH, GM, KE, LS, MW, MZ, SD, SL, SZ, TZ, UG, ZW), Eurasian patent (AM, AZ, BY, KG, KZ, MD, RU, TJ, TM), European patent (AT, BE, CH, CY, DE, DK, ES, FI, FR, GB, GR, IE, IT, LU, MC, NL, PT, SE, TR), OAPI patent (BF, BJ, CF, CG, CI, CM, GA, GN, GW, ML, MR, NE, SN, TD, TG).

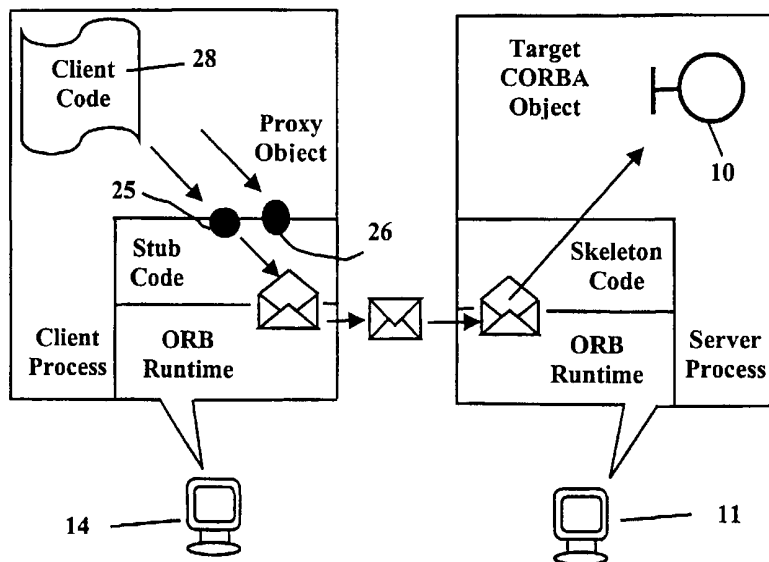
Published:  
— with international search report

(72) Inventor; and  
(75) Inventor/Applicant (for US only): RIBOT, Stephan [FR/FR]; 5, square du Dragon, F-78150 Le Chesnay (FR).  
(74) Agents: BIRD, William, E. et al.; Bird Goën & Co., Vilvoordsebaan 92, B-3020 Winksele (BE).

(88) Date of publication of the international search report:  
30 May 2002

For two-letter codes and other abbreviations, refer to the "Guidance Notes on Codes and Abbreviations" appearing at the beginning of each regular issue of the PCT Gazette.

(54) Title: ACCESS CONTROL IN CLIENT-SERVER SYSTEMS



(57) Abstract: A telecommunications network and a method of operating the same are described which is shared by two or more organizations, the network including at least a server and a client. The server is adapted to transmit to the client a proxy communications object comprising a definition of the rights and privileges of an organization to use the network. When the organization initiates a request to the server it does so via the proxy object on the client. The proxy object enables a comparison of the contents of request and the definition of the rights and privileges and enables forwarding of the request to the server only when the request and the rights and privileges granted to the requesting organization are consistent with each other. The request relates to modification of a management object maintained at a network resource, the organization having a global right to access the network resource. By this means unwanted accesses to the server may be prevented at the client.



WO 01/99377 A3

# INTERNATIONAL SEARCH REPORT

International Application No

PCT/EP 01/07168

**A. CLASSIFICATION OF SUBJECT MATTER**  
IPC 7 H04L29/06

According to International Patent Classification (IPC) or to both national classification and IPC

**B. FIELDS SEARCHED**

Minimum documentation searched (classification system followed by classification symbols)

IPC 7 H04L G06F

Documentation searched other than minimum documentation to the extent that such documents are included in the fields searched

Electronic data base consulted during the international search (name of data base and, where practical, search terms used)

EPO-Internal, WPI Data, PAJ, INSPEC

**C. DOCUMENTS CONSIDERED TO BE RELEVANT**

Category *	Citation of document, with indication, where appropriate, of the relevant passages	Relevant to claim No.
X	WO 98 50853 A (PINNACLE TECHNOLOGY INC) 12 November 1998 (1998-11-12)	1, 4-6, 8, 11-15, 17, 20
Y	page 2, paragraph 5 -page 4, paragraph 1 page 6, line 24 - line 30	2, 3, 9, 10, 16, 18, 19
A	page 8, line 17 -page 10, line 27 page 14, line 29 - line 30 page 17, paragraph 2	7
X	WO 99 57863 A (IBM UK ;IBM (US)) 11 November 1999 (1999-11-11) abstract page 2, line 5 -page 3, line 20	15
	--- -/--	

Further documents are listed in the continuation of box C.

Patent family members are listed in annex.

\* Special categories of cited documents :

- \*A\* document defining the general state of the art which is not considered to be of particular relevance
- \*E\* earlier document but published on or after the international filing date
- \*L\* document which may throw doubts on priority claim(s) or which is cited to establish the publication date of another citation or other special reason (as specified)
- \*O\* document referring to an oral disclosure, use, exhibition or other means
- \*P\* document published prior to the international filing date but later than the priority date claimed

- \*T\* later document published after the international filing date or priority date and not in conflict with the application but cited to understand the principle or theory underlying the invention
- \*X\* document of particular relevance: the claimed invention cannot be considered novel or cannot be considered to involve an inventive step when the document is taken alone
- \*Y\* document of particular relevance: the claimed invention cannot be considered to involve an inventive step when the document is combined with one or more other such documents, such combination being obvious to a person skilled in the art.
- \*&\* document member of the same patent family

Date of the actual completion of the international search

28 February 2002

Date of mailing of the international search report

11/03/2002

Name and mailing address of the ISA

European Patent Office, P.B. 5818 Patentlaan 2  
NL - 2280 HV Rijswijk  
Tel. (+31-70) 340-2040, Tx. 31 651 epo nl,  
Fax: (+31-70) 340-3016

Authorized officer

Blanco Cardona, P

INTERNATIONAL SEARCH REPORT

International Application No

PCT/EP 01/07168

C.(Continuation) DOCUMENTS CONSIDERED TO BE RELEVANT

Category	Citation of document, with indication, where appropriate, of the relevant passages	Relevant to claim No.
Y	WO 99 60487 A (TRIDIUM INC) 25 November 1999 (1999-11-25) abstract page 10, line 19 -page 11, line 28 -----	3,10,16, 19
Y	EP 0 913 966 A (SUN MICROSYSTEMS INC) 6 May 1999 (1999-05-06) abstract claim 1; figure 5 -----	2,9,18

# INTERNATIONAL SEARCH REPORT

Information on patent family members

International Application No

PCT/EP 01/07168

Patent document cited in search report	A	Publication date	Patent family member(s)	Publication date
WO 9850853	A	12-11-1998	WO 9850853 A1	12-11-1998
			AT 206218 T	15-10-2001
			AU 3123597 A	27-11-1998
			DE 69707022 D1	31-10-2001
			EP 0980545 A1	23-02-2000
WO 9957863	A	11-11-1999	US 2001011341 A1	02-08-2001
			WO 9957863 A1	11-11-1999
			TW 425799 B	11-03-2001
WO 9960487	A	25-11-1999	AU 3993199 A	06-12-1999
			BR 9910512 A	02-01-2001
			CN 1305611 T	25-07-2001
			EP 1082669 A1	14-03-2001
			WO 9960487 A1	25-11-1999
EP 0913966	A	06-05-1999	US 6064656 A	16-05-2000
			EP 0913966 A2	06-05-1999
			JP 11338839 A	10-12-1999