



US00D796650S

(12) **United States Design Patent**
Ziemann

(10) **Patent No.:** **US D796,650 S**

(45) **Date of Patent:** **** Sep. 5, 2017**

(54) **SINK**

- (71) Applicant: **BLANCO GmbH + Co KG**,
Oberderdingen (DE)
- (72) Inventor: **Brigitte Ziemann**, Eppingen (DE)
- (73) Assignee: **BLANCO GmbH + Co KG**,
Oberderdingen (DE)
- (**) Term: **15 Years**

(21) Appl. No.: **29/569,371**

(22) Filed: **Jun. 27, 2016**

(51) **LOC (10) Cl.** **23-02**

(52) **U.S. Cl.**
USPC **D23/290**

(58) **Field of Classification Search**
USPC D23/284, 293.1, 287-292, 303, 308
CPC A47K 1/04; A47B 77/06; A47J 47/20
See application file for complete search history.

(56) **References Cited**

U.S. PATENT DOCUMENTS

D482,106 S *	11/2003	Ziemann	D23/290
D546,926 S *	7/2007	Schneider	D23/290
D546,929 S *	7/2007	Schneider	D23/290
D547,835 S *	7/2007	Ziemann	D23/290
D547,837 S *	7/2007	Ziemann	D23/290
D586,443 S *	2/2009	Ziemann	D23/290
D586,445 S *	2/2009	Ziemann	D23/290
D586,890 S *	2/2009	Ziemann	D23/290
D587,352 S *	2/2009	Ziemann	D23/290
D646,365 S *	10/2011	Parekh	D23/290
D716,420 S *	10/2014	Bomatter	D23/290
D769,424 S *	10/2016	Eilmus	D23/290

OTHER PUBLICATIONS

Kohler Co., The Kohler Co. Cairn™ Under-mount Kitchen Sink, K-8204, shown in the documentation dated Sep. 5, 2016, 2 pages, is a design that has been on sale since at least Sep. 2, 2015.

Kräus, The Kraus 33 Inch Undermount 50/50 Double Bowl Black Onyx Granite Kitchen Sink shown in the documentation from www.kraususa.com, some of was retrieved Oct. 5, 2016, 10 pages, is a design that has been on sale since at least Sep. 2, 2015.

Schock North American, Ltd., The Schack Inspire N-200Y sink, shown in the documentation from www.schockamerica.com, some of which was retrieved Oct. 5, 2016, 3 pages, is a design that has been on sale since at least Sep. 2, 2015.

* cited by examiner

Primary Examiner — Robert M Spear

Assistant Examiner — John Voytek

(74) *Attorney, Agent, or Firm* — Hanley, Flight & Zimmerman, LLC.

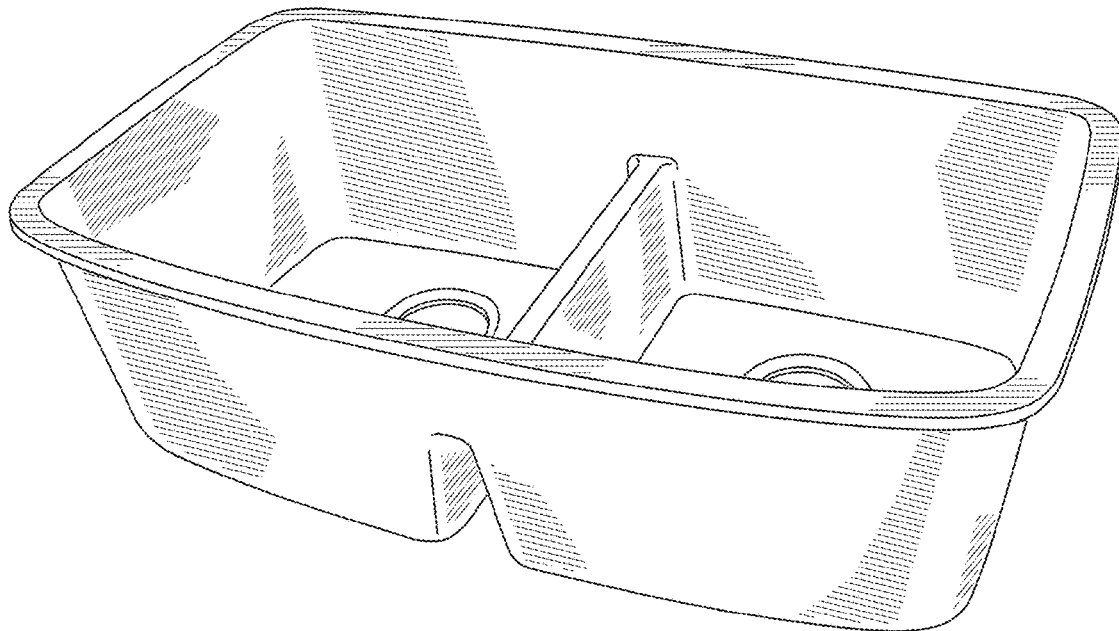
(57) **CLAIM**

The ornamental design for a “sink,” as shown and described.

DESCRIPTION

FIG. 1 is a perspective view of a sink.
 FIG. 2 is a top plan view of the sink of FIG. 1.
 FIG. 3 is a bottom plan view of the sink of FIG. 1.
 FIG. 4 is a front view of the sink of FIG. 1.
 FIG. 5 is a rear view of the sink of FIG. 1.
 FIG. 6 is a left side view of the sink of FIG. 1; and,
 FIG. 7 is a right side view of the sink of FIG. 1.

1 Claim, 7 Drawing Sheets



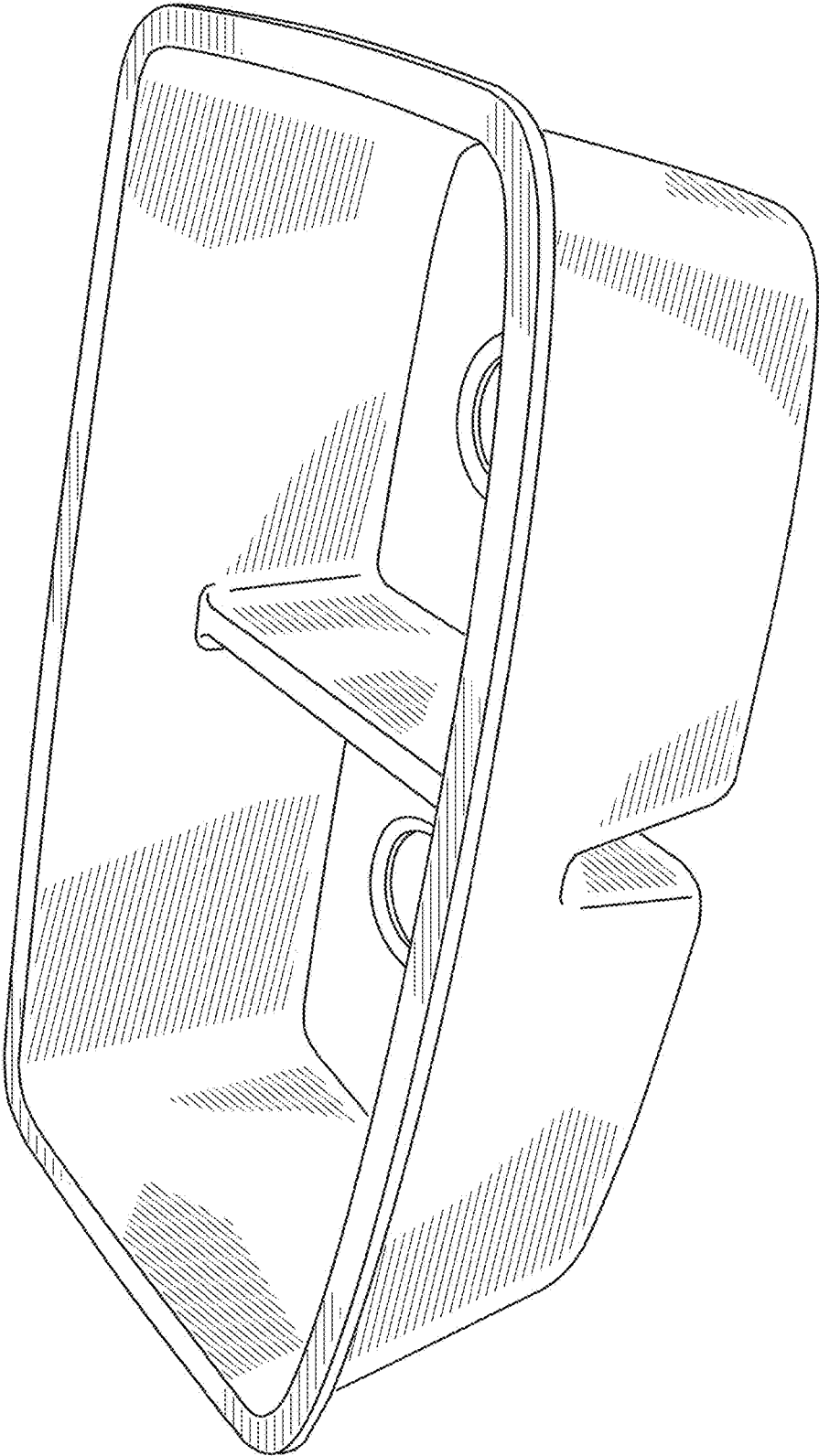


FIG. 1

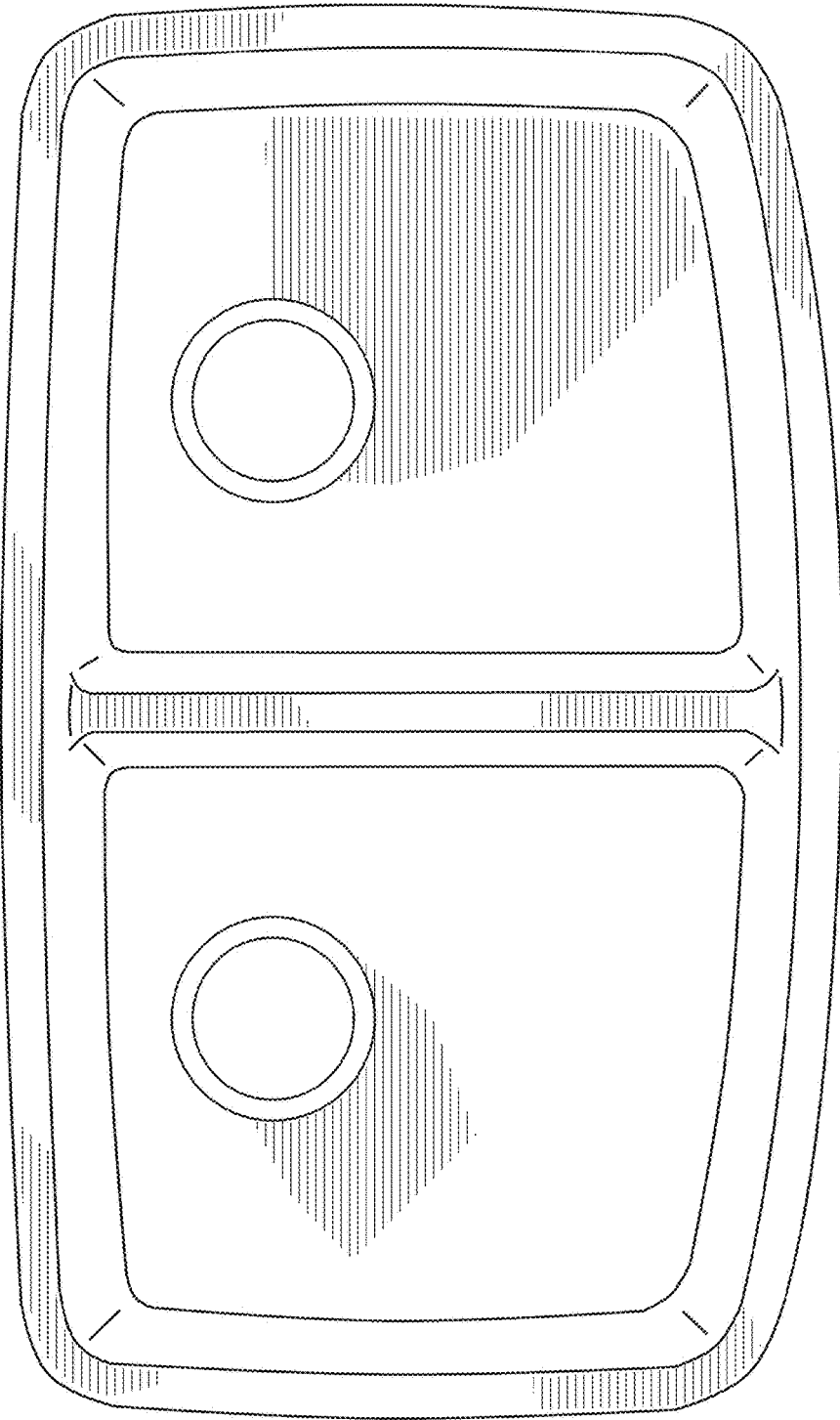


FIG. 2

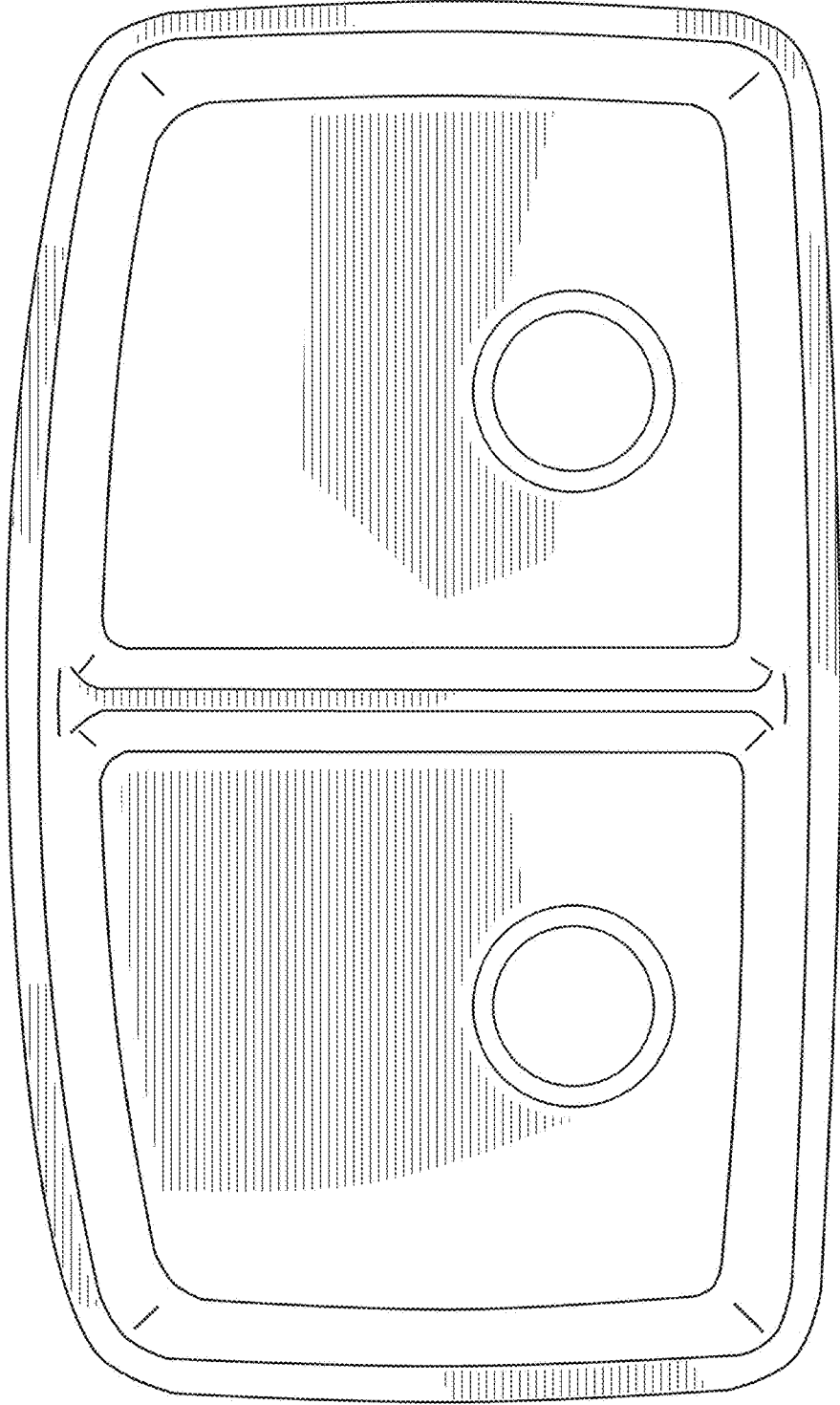


FIG. 3

FIG. 4

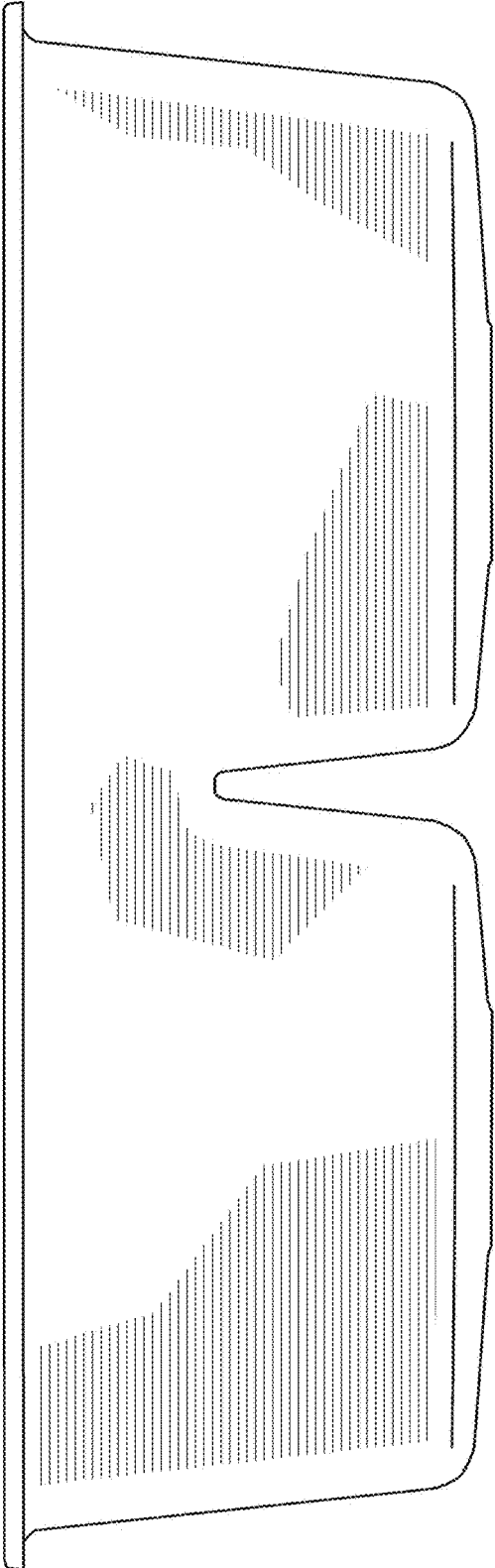
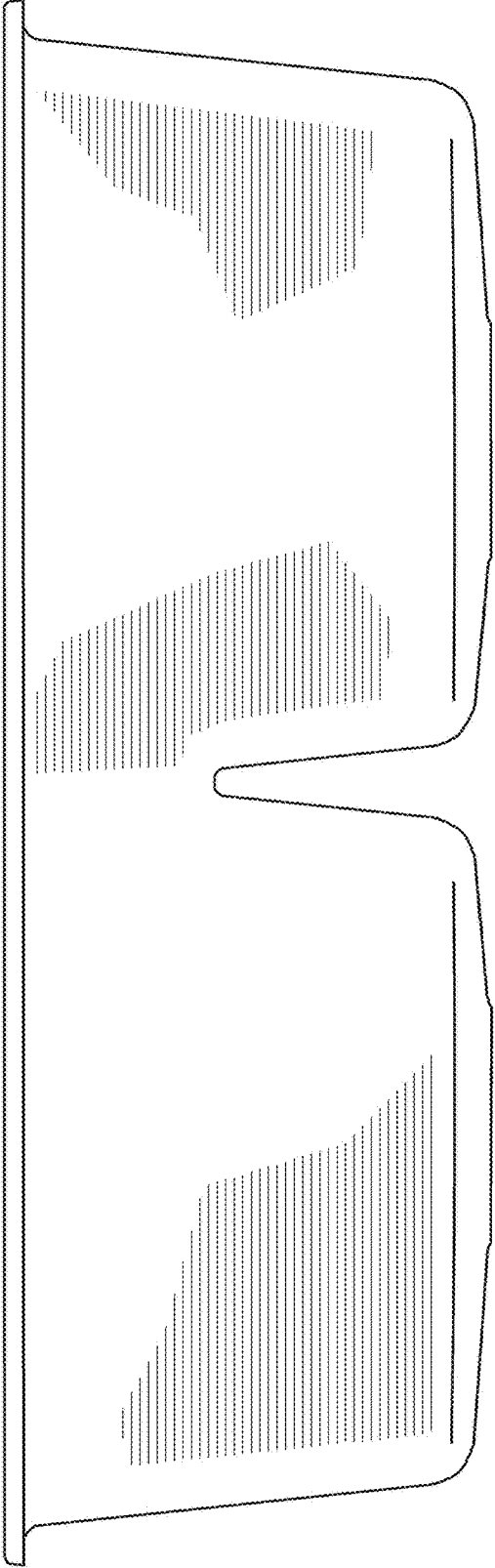


FIG. 5



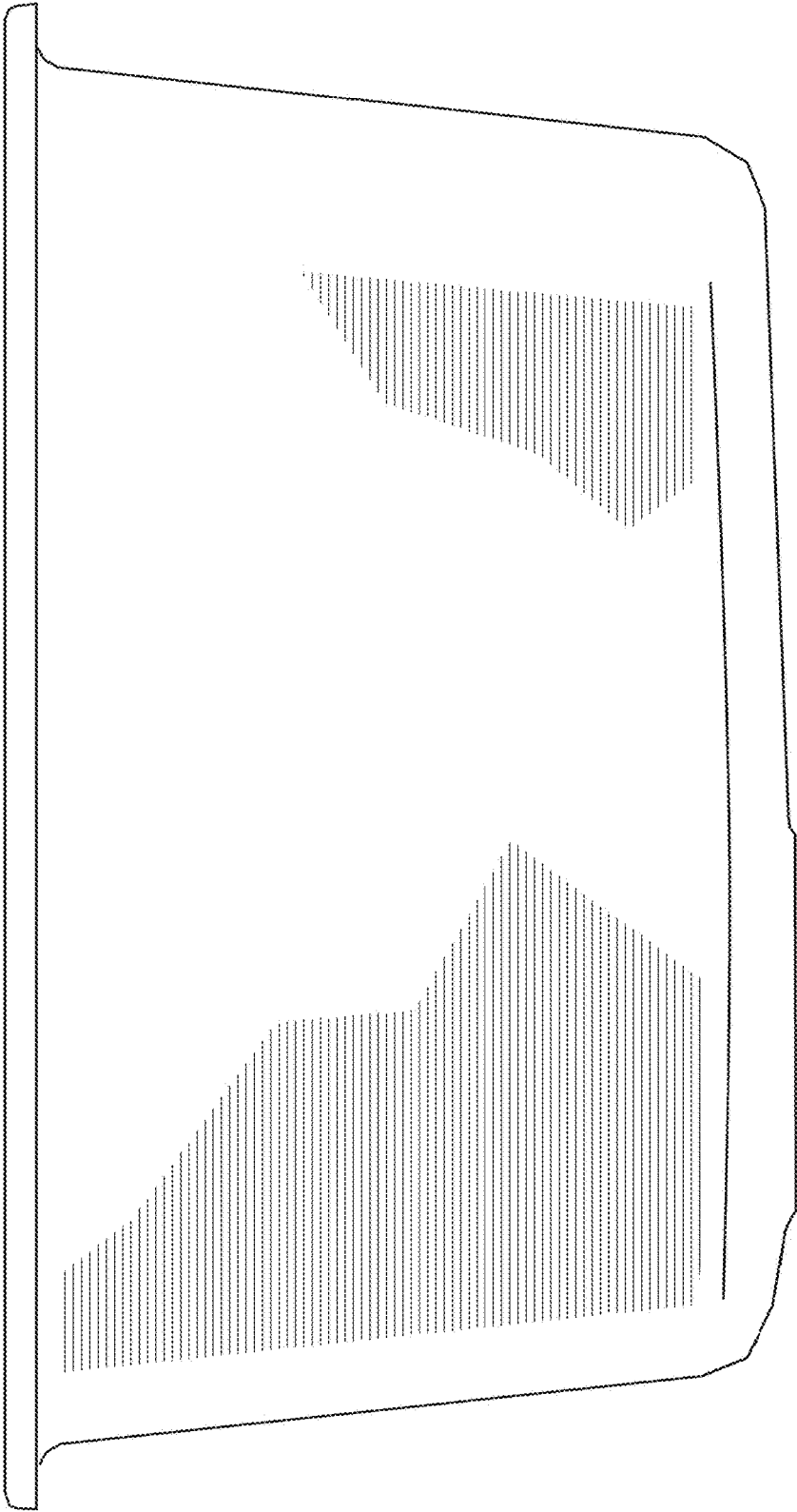


FIG. 6

FIG. 7

