



US00D769843S

(12) **United States Design Patent**
Sadhwani

(10) **Patent No.:** **US D769,843 S**

(45) **Date of Patent:** **** Oct. 25, 2016**

(54) **SPEAKER LANTERN**

(71) Applicant: **Dinesh Sadhwani**, Commerce, CA (US)

(72) Inventor: **Dinesh Sadhwani**, Commerce, CA (US)

(**) Term: **14 Years**

(21) Appl. No.: **29/526,156**

(22) Filed: **May 7, 2015**

(51) **LOC (10) Cl.** **14-01**

(52) **U.S. Cl.**

USPC **D14/207**

(58) **Field of Classification Search**

USPC D14/204, 207, 210–216, 172, 209.1,
D14/203.2, 189; 181/143, 144, 147, 148,
181/150–153, 157, 198, 199; 381/300–303,
381/306, 332, 333, 336, 345, 361–364,
381/386–388; D11/160, 162, 606–609,
D11/832; 455/344–347; 369/6–12;
D9/683.5, 738, 763; D7/300, 601–606;
250/239, 526

CPC H04R 1/00; H04R 1/02; H04R 2400/00;
H05K 5/00

See application file for complete search history.

(56) **References Cited**

U.S. PATENT DOCUMENTS

- 1,730,737 A * 10/1929 Labin F21S 13/10
362/367
- 4,791,290 A * 12/1988 Noone F21V 23/04
174/541
- 5,123,500 A * 6/1992 Malhoit H04R 1/2888
181/144
- 5,264,996 A * 11/1993 Bele, Jr. F21S 13/00
229/108.1
- 5,444,194 A * 8/1995 Reinke H04R 1/028
181/150
- D408,035 S * 4/1999 Denham D14/212
- 6,152,257 A * 11/2000 Denham H04R 1/345
181/144
- D471,888 S * 3/2003 Solland D14/204
- D491,918 S * 6/2004 Solland D14/207

- D519,104 S * 4/2006 Richter D14/207
- D589,029 S * 3/2009 Lee D14/207
- D595,263 S * 6/2009 Jiang D14/204
- D701,852 S * 4/2014 Park D14/189

FOREIGN PATENT DOCUMENTS

CN 2141957 Y 9/1993

OTHER PUBLICATIONS

- <http://mikesounds.com/wp-content/uploads/2015/01/Acoustic-Research-Limited-Orleans-630x420.jpg>.
- http://outdoorspeakerstore.com/images/D/AWS63_ALT1_MED.png.
- <http://www.ithomeproducts.com/sites/default/files/styles/medium/public/itsbo-419.jpg?itok=hmTnNysZ>.
- http://www.dotmall.co.za/2474-thickbox_default/acoustic-research-portable-wireless-bluetooth-lantern.jpg.
- <http://core0.staticworld.net/images/article/2015/01/ar-speakers-100539505-large.png>.

* cited by examiner

Primary Examiner — Prabhakar Deshmukh
(74) *Attorney, Agent, or Firm* — Raj Abhyanker, P.C.

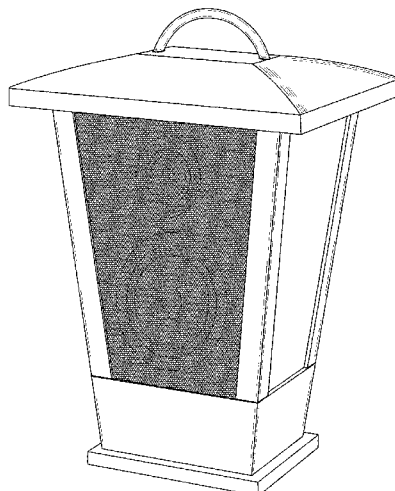
(57) **CLAIM**

The ornamental design for a speaker lantern, as shown and described.

DESCRIPTION

FIG. 1 is a front perspective view of a speaker lantern showing my new design;
FIG. 2 is a front view thereof;
FIG. 3 is a rear view thereof;
FIG. 4 is a left view thereof;
FIG. 5 is a right view thereof;
FIG. 6 is a top view thereof; and,
FIG. 7 is a bottom view thereof.
The broken lines indicate unclaimed portions and form no part of the claimed design.

1 Claim, 6 Drawing Sheets



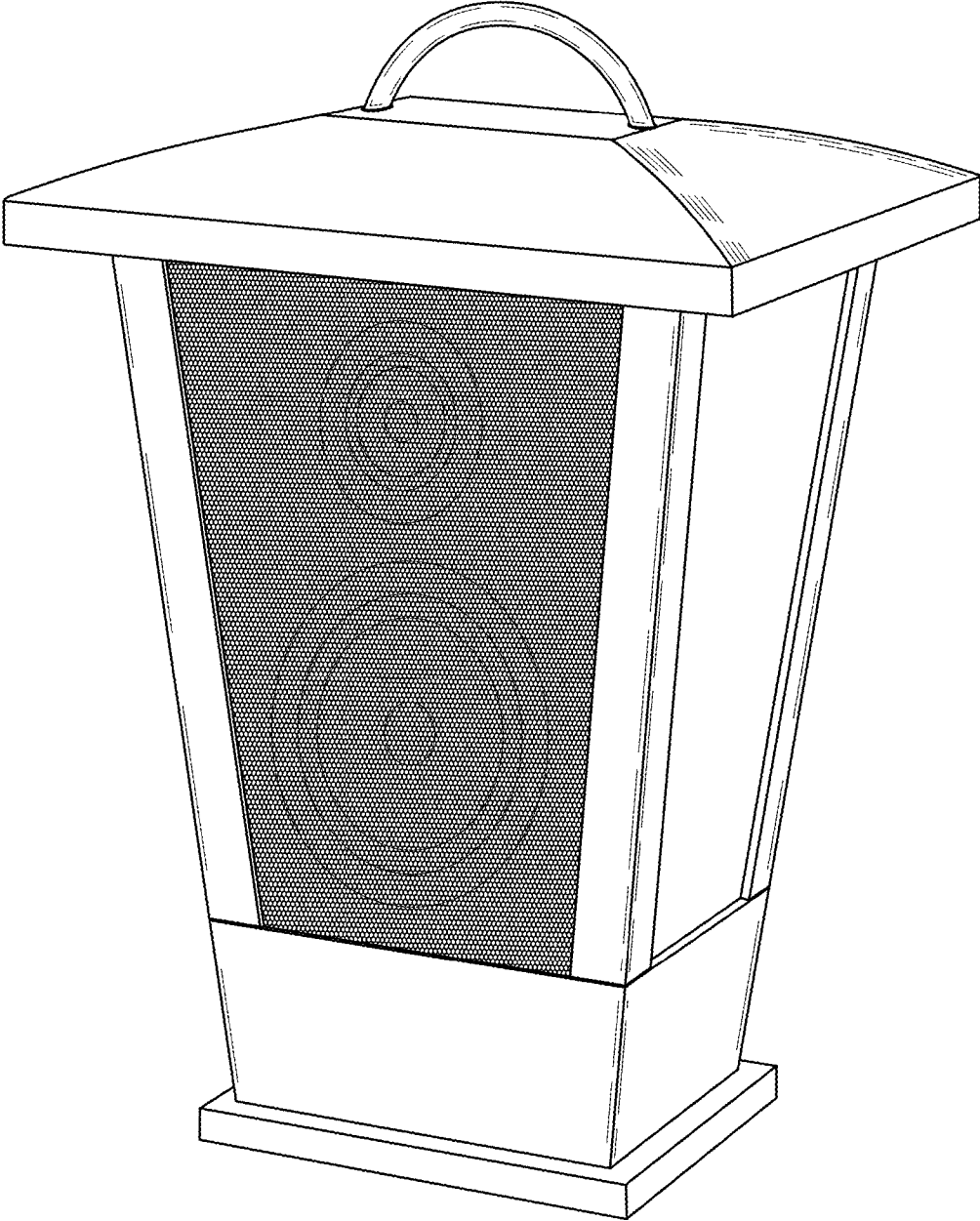


FIG. 1

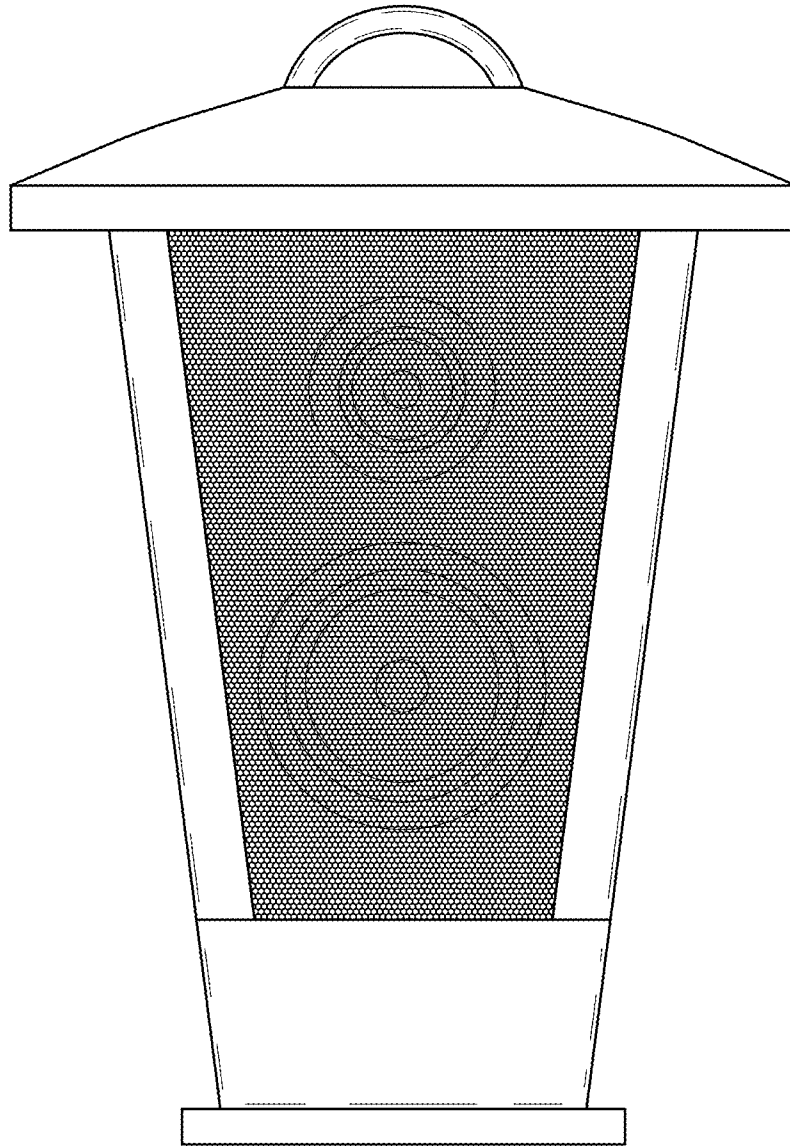


FIG. 2

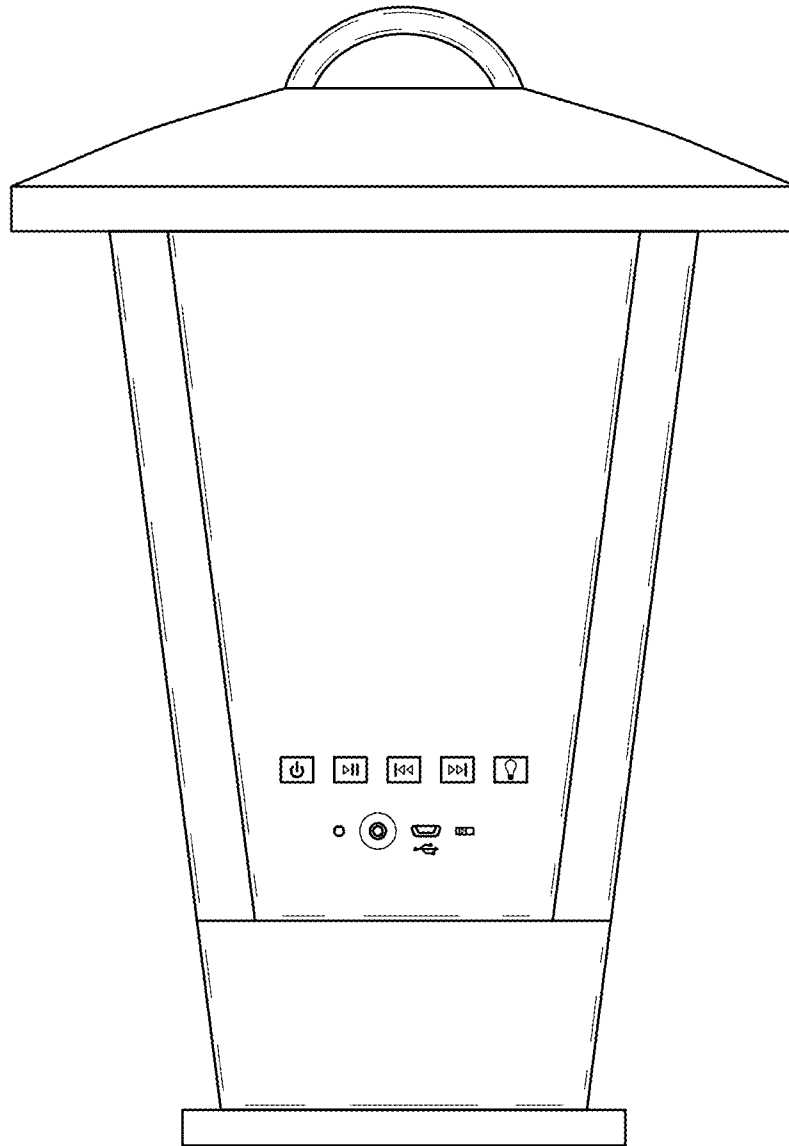


FIG. 3

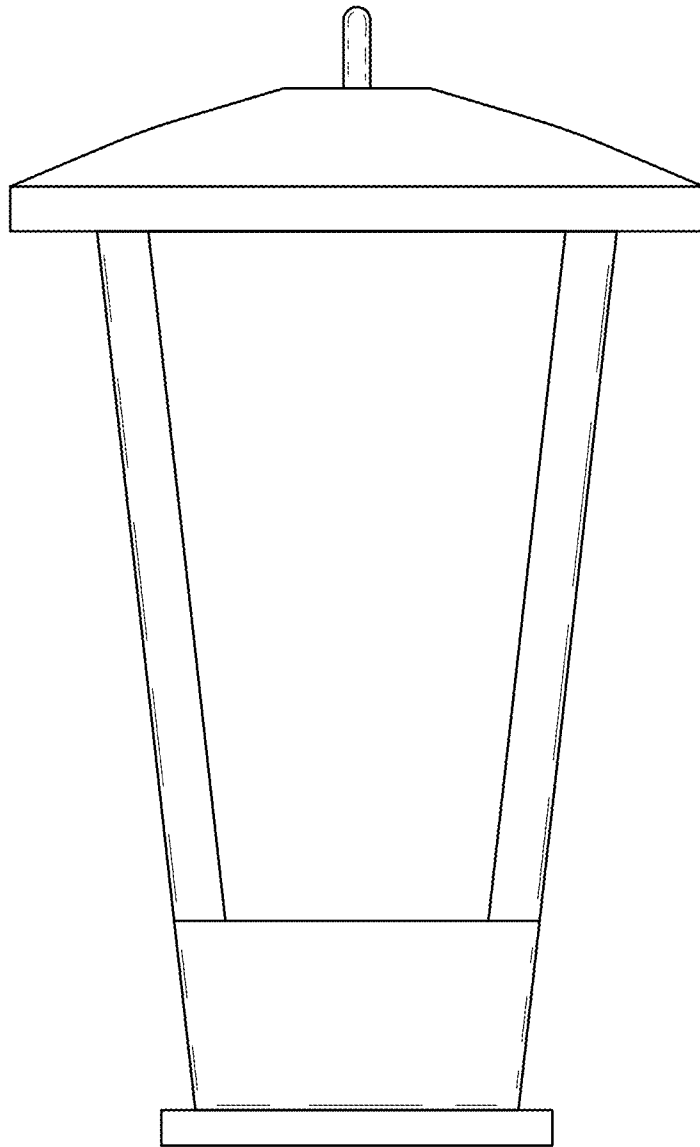


FIG. 4

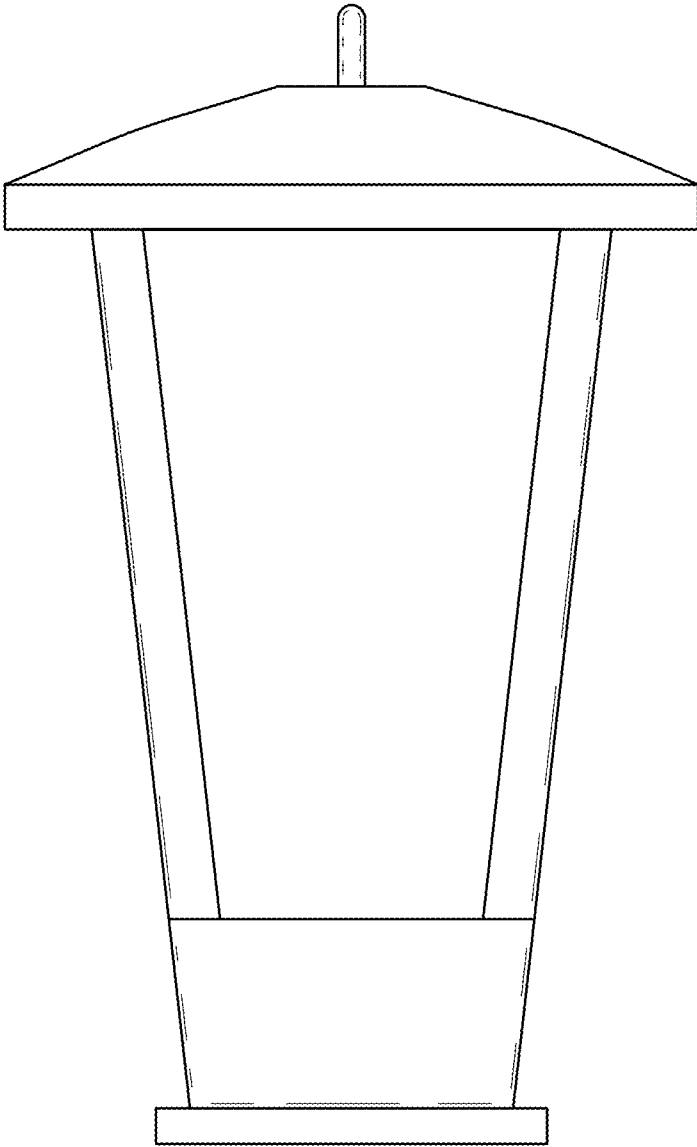


FIG. 5

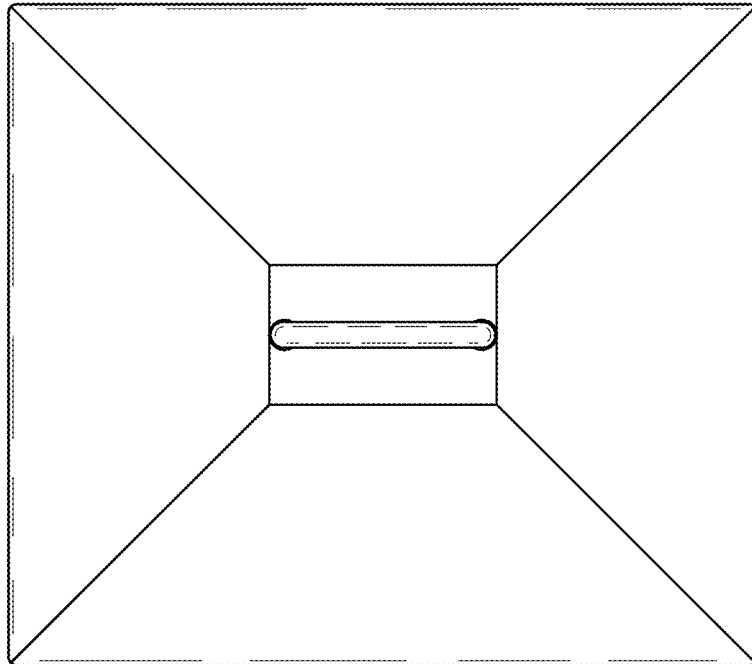


FIG. 6

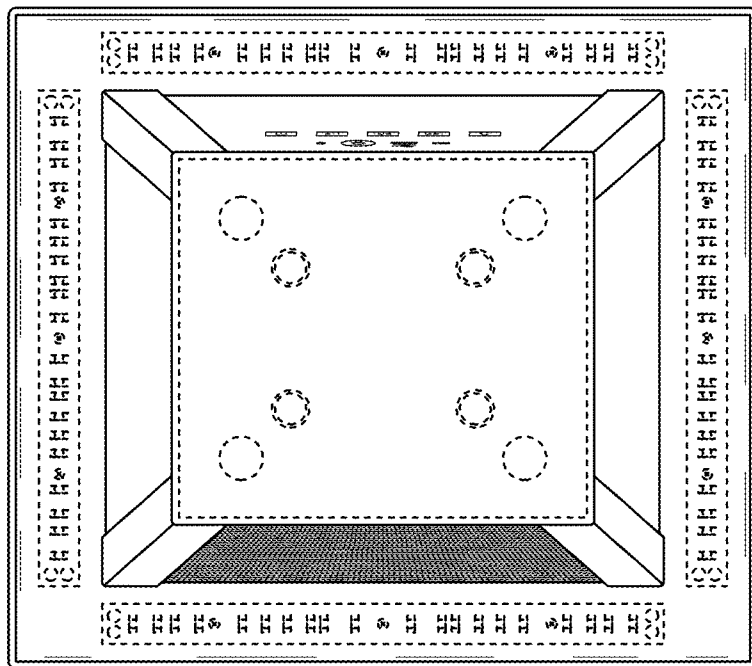


FIG. 7