



US00D774841S

(12) **United States Design Patent**
Carter

(10) **Patent No.:** **US D774,841 S**

(45) **Date of Patent:** **** Dec. 27, 2016**

(54) **DRINK HOLDER**

(71) Applicant: **Kevin Carter**, Toronto (CA)

(72) Inventor: **Kevin Carter**, Toronto (CA)

(**) Term: **15 Years**

(21) Appl. No.: **29/527,889**

(22) Filed: **May 22, 2015**

(51) **LOC (10) Cl.** **07-06**

(52) **U.S. Cl.**
USPC **D7/625**

(58) **Field of Classification Search**
USPC D7/603-608, 619.1-625; D21/754, 787;
D29/113, 116.1, 117.1, 123
CPC F25D 3/08; B65D 25/30; B65D 7/24;
B65D 81/3876; B65D 81/3879; B65D
23/104; B65D 81/38; B65D
81/3886; B65D 81/3883; B65D 81/3881;
A45C 11/20; A47G 23/0216; A47G
19/2288; A45F 2200/0583; A61F 7/10;
B31D 5/0086; A63B 71/145
See application file for complete search history.

(56) **References Cited**

U.S. PATENT DOCUMENTS

4,295,228 A * 10/1981 Dragomir A63B 71/145
2/18
D277,238 S * 1/1985 Cass D29/116.1

D329,175 S * 9/1992 Harber D7/620
D350,417 S * 9/1994 Bruckner D29/116.1
D506,105 S * 6/2005 Cox D7/619.2
D543,789 S * 6/2007 Gilley D7/606
D602,745 S * 10/2009 Carter D7/606
D684,826 S * 6/2013 Carter D7/625

* cited by examiner

Primary Examiner — Freda S Nunn

(74) *Attorney, Agent, or Firm* — Lorelei G. Graham

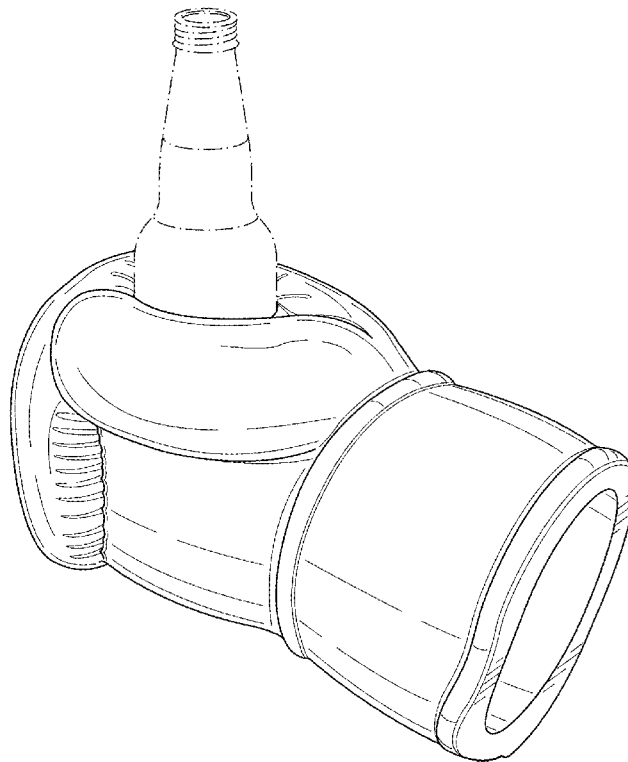
(57) **CLAIM**

The ornamental design for the drink holder, as shown and described.

DESCRIPTION

FIG. 1 is a perspective view of the drink holder.
FIG. 2 is another perspective view of the drink holder.
FIG. 3 is a front view of the drink holder.
FIG. 4 is a right side view of the drink holder.
FIG. 5 is a back view of the drink holder.
FIG. 6 is a left side view of the drink holder.
FIG. 7 is a top plan view of the drink holder; and,
FIG. 8 is a bottom plan view of the drink holder.
The broken lines shown in the drawings represent environ-
ment only and form no part of the claimed design.

1 Claim, 8 Drawing Sheets



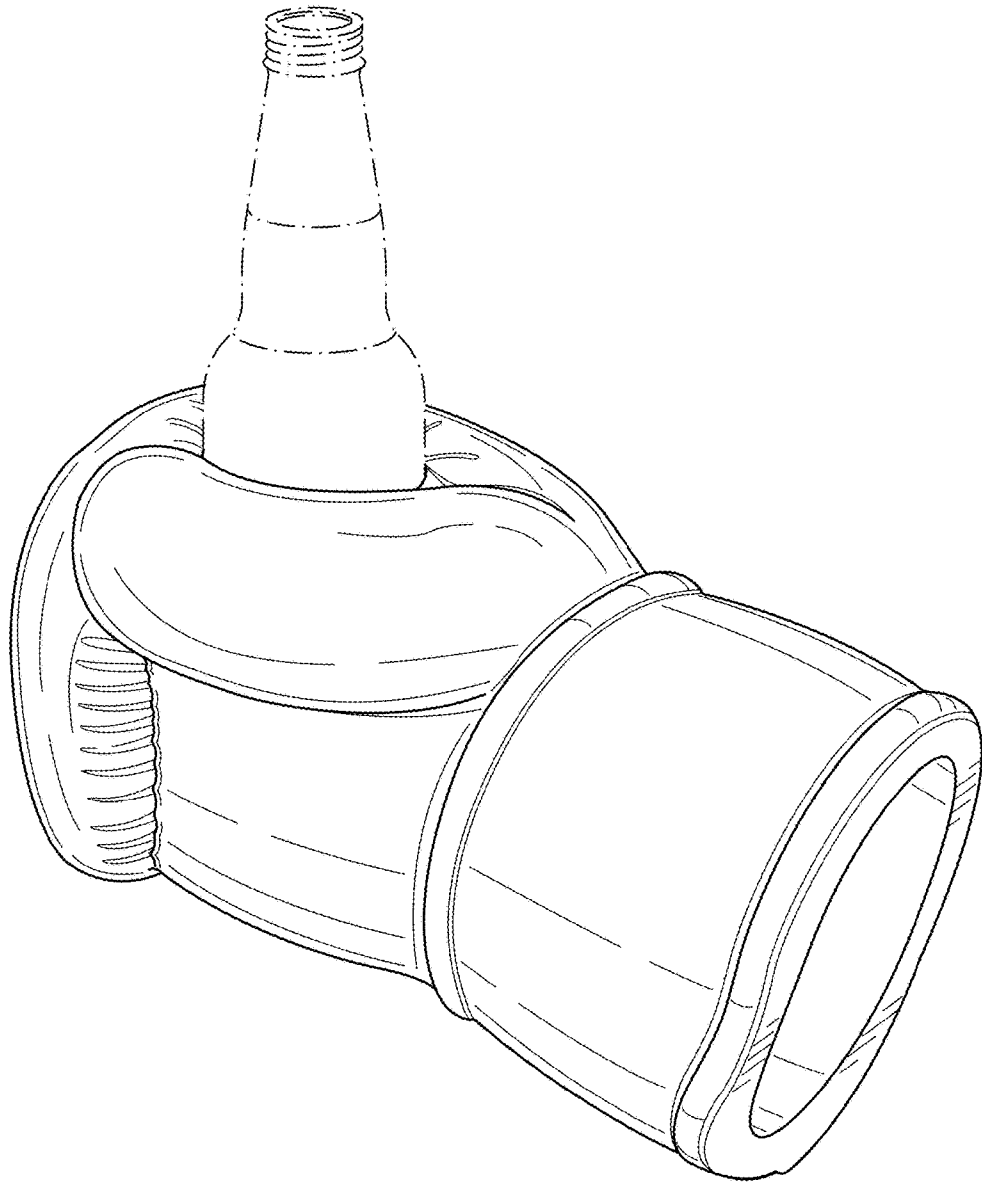


FIG. 1

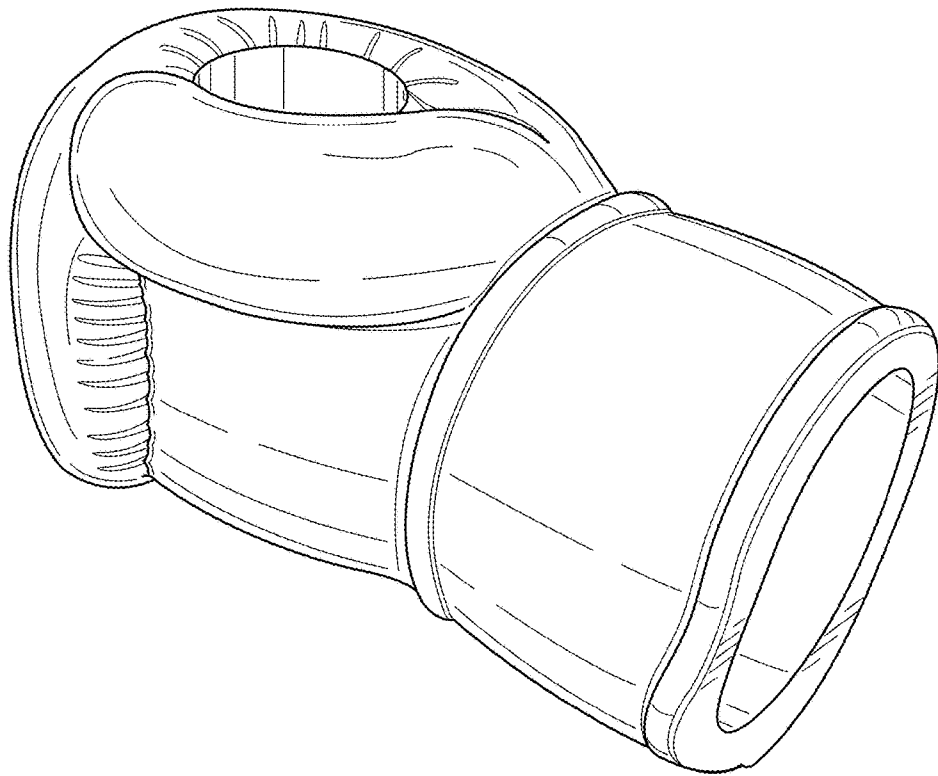


FIG. 2

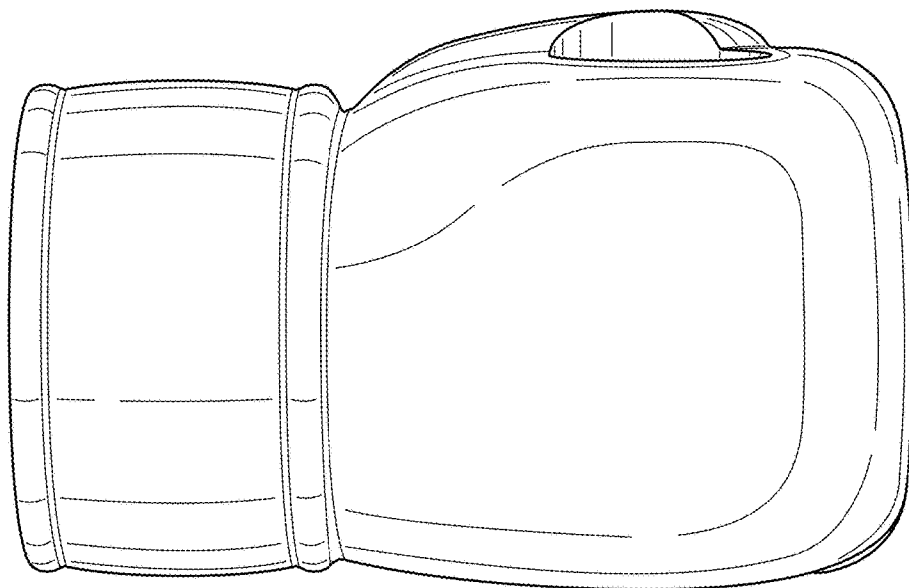


FIG. 3

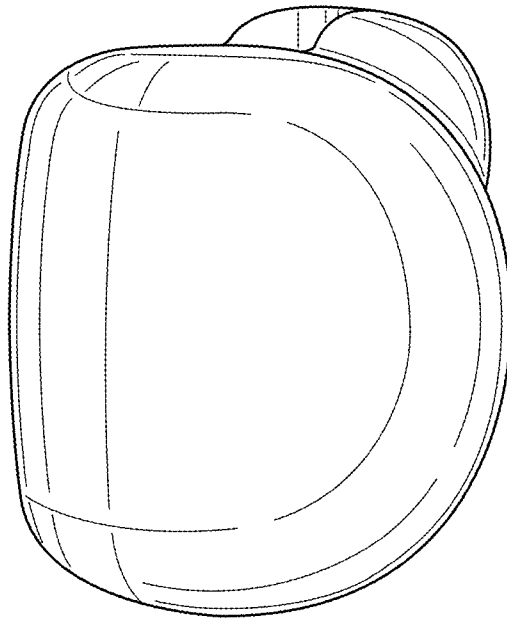


FIG. 4

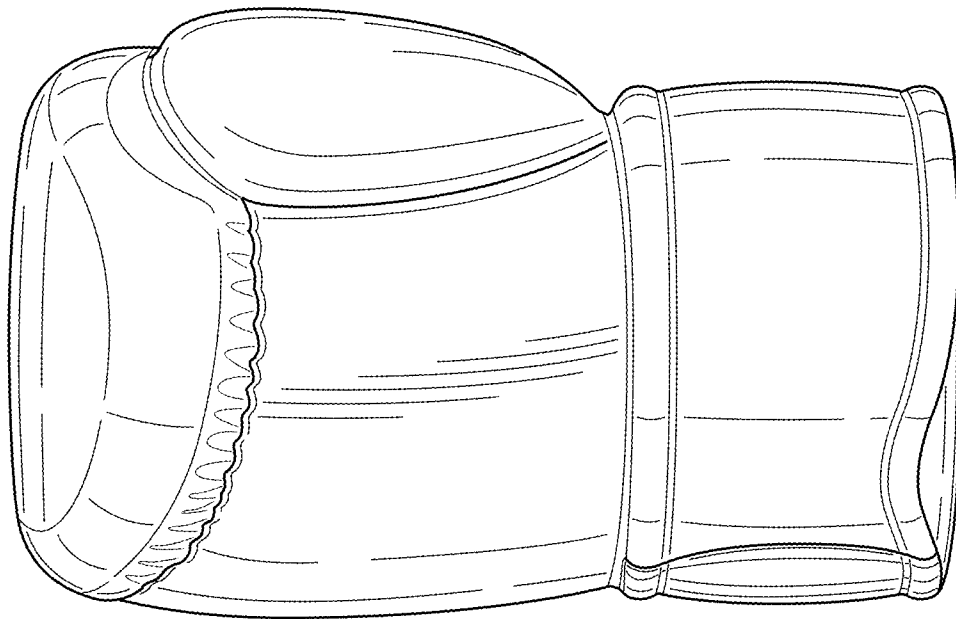


FIG. 5

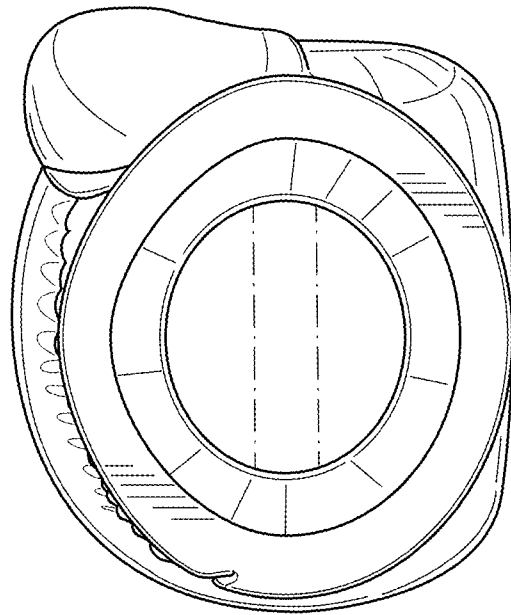


FIG. 6

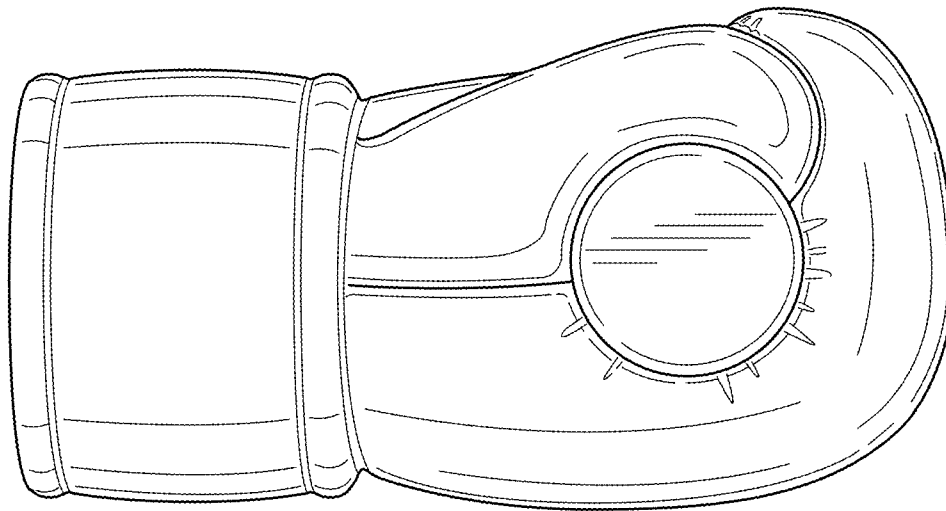


FIG. 7

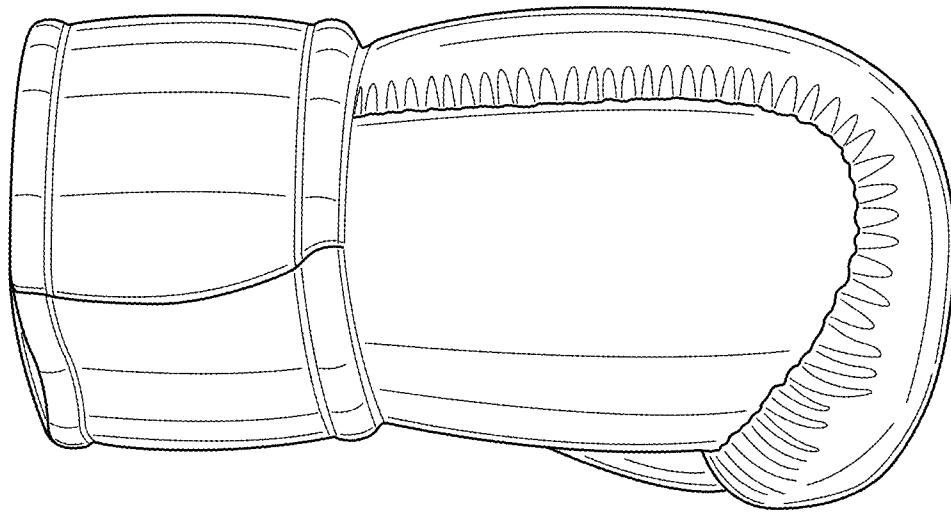


FIG. 8