



US00D686032S

(12) **United States Design Patent**
Glass et al.

(10) **Patent No.:** **US D686,032 S**

(45) **Date of Patent:** **** Jul. 16, 2013**

(54) **CHAIR**

(71) Applicant: **Virco Mfg. Corporation**, Torrance, CA (US)

(72) Inventors: **Peter Glass**, Arroyo Grande, CA (US);
Robert Mills, Torrance, CA (US)

(73) Assignee: **Virco Mfg. Corporation**, Torrance, CA (US)

(**) Term: **14 Years**

(21) Appl. No.: **29/435,301**

(22) Filed: **Oct. 23, 2012**

(51) **LOC (9) Cl.** **06-06**

(52) **U.S. Cl.**

USPC **D6/716**

(58) **Field of Classification Search**

USPC D6/334-336, 344-353, 360-381,
D6/388, 403, 491-502, 692, 708, 716,
D6/716.2-716.4; 297/16.1, 22, 31, 35, 217.1,
297/228.12, 248, 256.16, 271.6, 284.4-284.5,
297/291, 297, 302.4, 411.2, 411.27-411.29,
297/411.43, 423.1, 423.12, 440.11, 440.15,
297/440.21-440.24, 448.1, 451.4, 452.13,
297/452.19, 452.21, 452.27, 452.29, 452.3,
297/452.41, 452.56, 452.64

See application file for complete search history.

(56) **References Cited**

U.S. PATENT DOCUMENTS

D178,880 S 10/1956 Hauser
D192,559 S * 4/1962 Chapman D6/375
D200,640 S 3/1965 Yamasaki
D236,670 S * 9/1975 Uyeda D6/375
5,123,702 A * 6/1992 Caruso 297/440.21

D333,044 S * 2/1993 Caruso D6/373
D409,407 S * 5/1999 Wang D6/375
D426,973 S * 6/2000 Risdall D6/375
D427,444 S * 7/2000 Risdall D6/375
D462,536 S * 9/2002 Levy D6/375
D471,729 S * 3/2003 Glass et al. D6/375
D471,730 S * 3/2003 Schloss D6/375
D499,260 S * 12/2004 Glass et al. D6/375
D513,910 S 1/2006 Gehry
D522,265 S * 6/2006 Glass et al. D6/375
D544,230 S * 6/2007 Glass et al. D6/375
D546,574 S * 7/2007 Kaloustian D6/374
D547,979 S * 8/2007 Glass et al. D6/500
D547,980 S * 8/2007 Glass et al. D6/500
D549,018 S * 8/2007 Glass et al. D6/500
D555,379 S * 11/2007 Ziliani D6/375
D564,768 S * 3/2008 Glass et al. D6/366

(Continued)

OTHER PUBLICATIONS

<http://store.hermanmiller.com/Products/Chair-First-Set-of-4> (2 pages) (publication date unknown).

Primary Examiner — Ricky Pham

(74) *Attorney, Agent, or Firm* — Sheldon Mak & Anderson PC; Denton L. Anderson; Robert Hupe

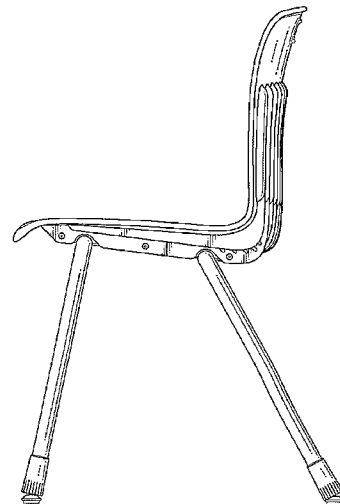
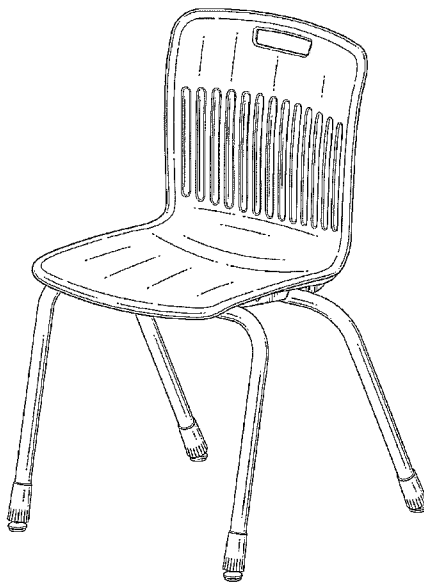
(57) **CLAIM**

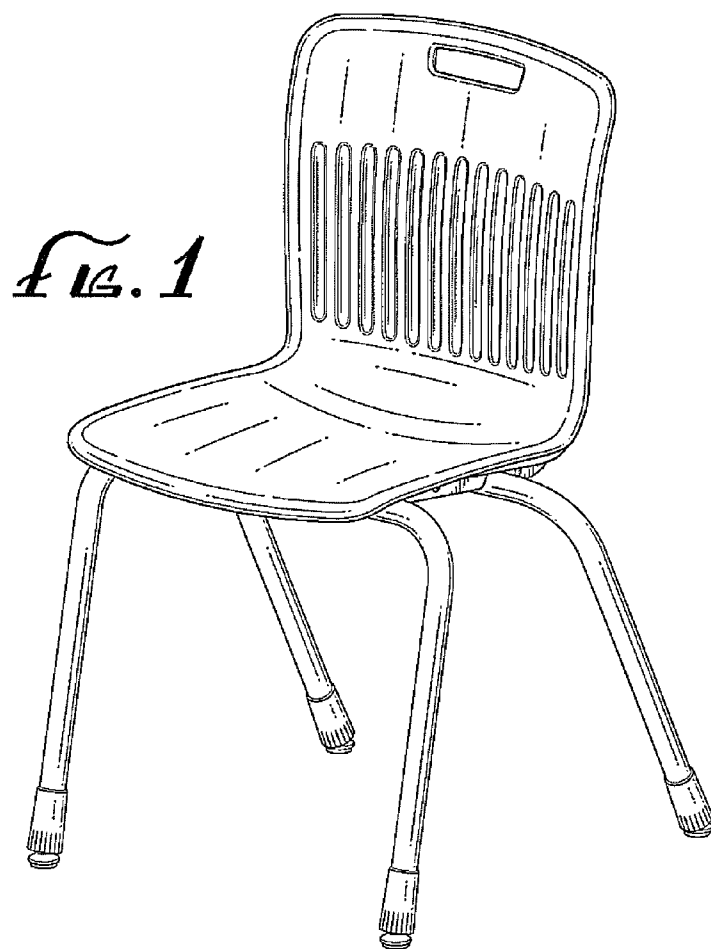
The ornamental design for a chair, as shown and described.

DESCRIPTION

FIG. 1 is a perspective view showing our new design; FIG. 2 is a front view of the chair illustrated in FIG. 1; FIG. 3 is a first side view of the chair illustrated in FIG. 1, the opposite side view being a mirror image of the first side view; FIG. 4 is a top view of the chair illustrated in FIG. 1; FIG. 5 is a bottom view of the chair illustrated in FIG. 1; and, FIG. 6 is a rear view of the chair illustrated in FIG. 1.

1 Claim, 4 Drawing Sheets





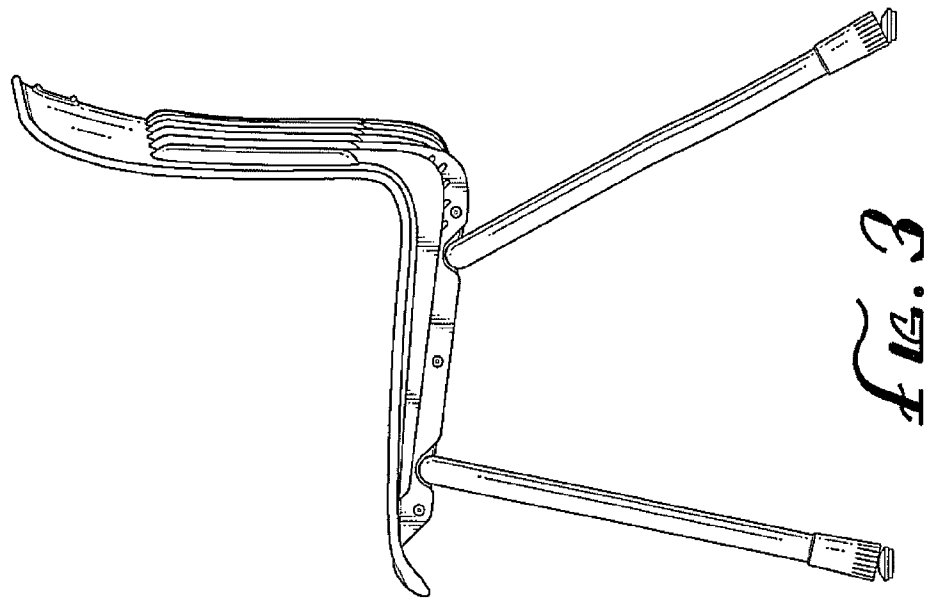


FIG. 3

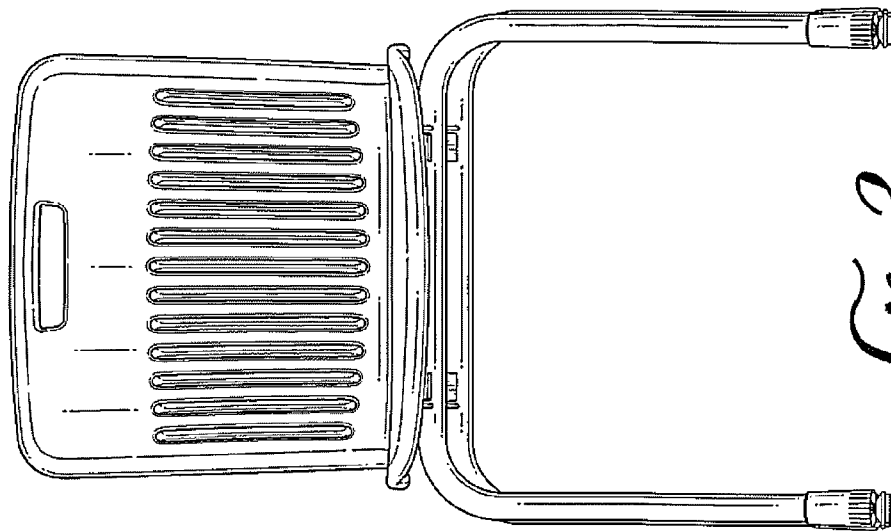


FIG. 2

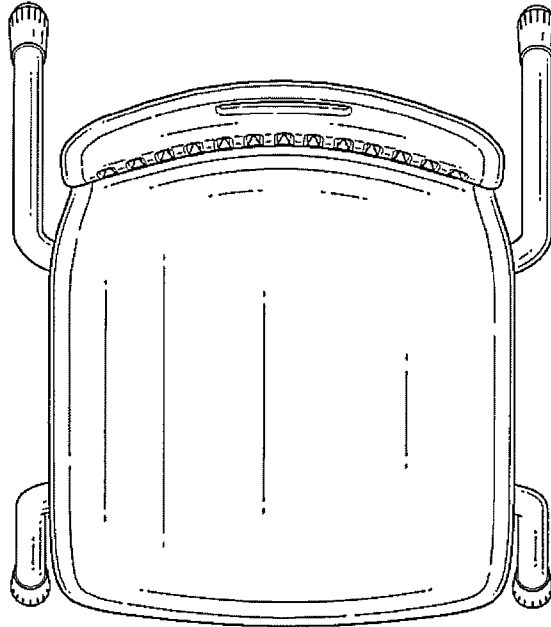


FIG. 4

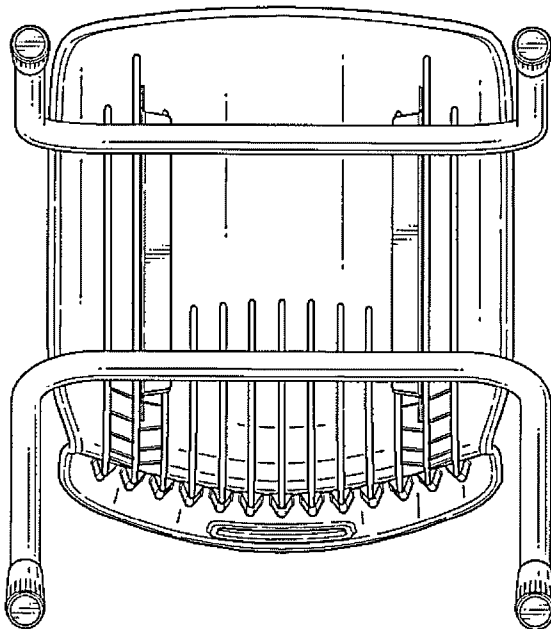


FIG. 5

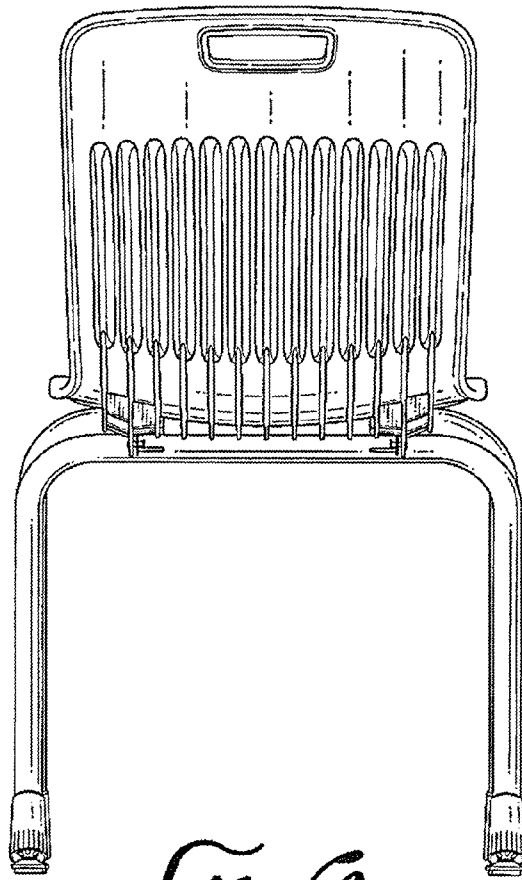


FIG. 6