



(12) **United States Design Patent**
Hu

(10) **Patent No.:** **US D1,069,263 S**
(45) **Date of Patent:** **** Apr. 1, 2025**

(54) **PET WATER DISPENSER**

FOREIGN PATENT DOCUMENTS

(71) Applicant: **Jianguo Hu**, Yueyang (CN)

CN 308306554 * 11/2023
CN 308501007 * 3/2024

(72) Inventor: **Jianguo Hu**, Yueyang (CN)

(**) Term: **15 Years**

OTHER PUBLICATIONS

(21) Appl. No.: **29/872,699**

Wireless Rechargeable Fountain, posted Dec. 2, 2023 [online], [retrieved Jun. 24, 2024]. Retrieved from internet, <https://www.amazon.com/PET-MARVEL-Fountain-Automatic-Dispenser/dp/B0BXSNKL49> (Year: 2023).*

(22) Filed: **Mar. 16, 2023**

(Continued)

(30) **Foreign Application Priority Data**

Sep. 26, 2022 (CN) 202230637619.9

(51) **LOC (15) Cl.** **30-03**

(52) **U.S. Cl.**
USPC **D30/132**

(58) **Field of Classification Search**
USPC D30/132, 121, 123, 131, 119, 122;
D23/200, 201, 205, 206, 211.2, 221, 238,
D23/356; D7/397
CPC A01K 7/005; A01K 7/06; A01K 7/022;
A01K 7/025; B05B 17/08
See application file for complete search history.

Primary Examiner — Barbara Fox
Assistant Examiner — Darrelle A Centuori

(57) **CLAIM**

The ornamental design for a pet water dispenser, as shown and described.

DESCRIPTION

FIG. 1 is a front, top perspective view of a pet water dispenser, showing my new design; FIG. 2 is a rear, bottom perspective view thereof; FIG. 3 is a front elevation view thereof; FIG. 4 is a rear elevation view thereof; FIG. 5 is a left side elevation view thereof; FIG. 6 is a right side elevation view thereof; FIG. 7 is a top plan view thereof; FIG. 8 is a bottom plan view thereof; FIG. 9 is an enlarged perspective view of detail “9” identified in FIG. 1; and, FIG. 10 is an enlarged perspective view of detail “10” identified in FIG. 1.

The dashed lines in the figures illustrate portions of the pet water dispenser that form no part of the claimed design. The dash dot dash lines in FIGS. 1, 9 and 10 are for the purpose of illustrating the enlarged views indicators and form no part of the claimed design.

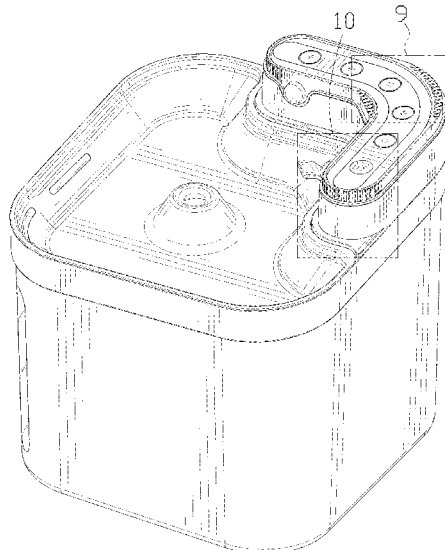
(56) **References Cited**

U.S. PATENT DOCUMENTS

D914,300	S *	3/2021	Wu	D30/132
D942,708	S *	2/2022	Tu	D30/132
D958,468	S *	7/2022	Pan	D30/132
D975,372	S *	1/2023	Hu	D30/132
D984,753	S *	4/2023	Yan	D30/132
D989,412	S *	6/2023	Wang	D30/132
D992,221	S *	7/2023	Gong	D30/132
D1,012,382	S *	1/2024	Hou	D30/132
2006/0112481	A1 *	6/2006	Walker	B05B 17/08 4/541.1
2021/0144963	A1 *	5/2021	Wang	C02F 1/42
2021/0282369	A1 *	9/2021	Tao	A01K 7/025
2022/0167585	A1 *	6/2022	Wei	A01K 7/02

(Continued)

1 Claim, 10 Drawing Sheets



(56)

References Cited

U.S. PATENT DOCUMENTS

2022/0386563 A1* 12/2022 Wang A01K 7/02
2023/0157259 A1* 5/2023 Xue A01K 7/025
119/74

OTHER PUBLICATIONS

Wireless Cat Fountain, posted Sep. 28, 2021 [online], [retrieved Jun. 24, 2024]. Retrieved from internet, <https://tinyurl.com/377thrv7> (Year: 2021).*

Dog Water Fountain, posted Feb. 28, 2023 [online], [retrieved Jun. 24, 2024]. Retrieved from internet, <https://tinyurl.com/5n867khh> (Year: 2023).*

* cited by examiner

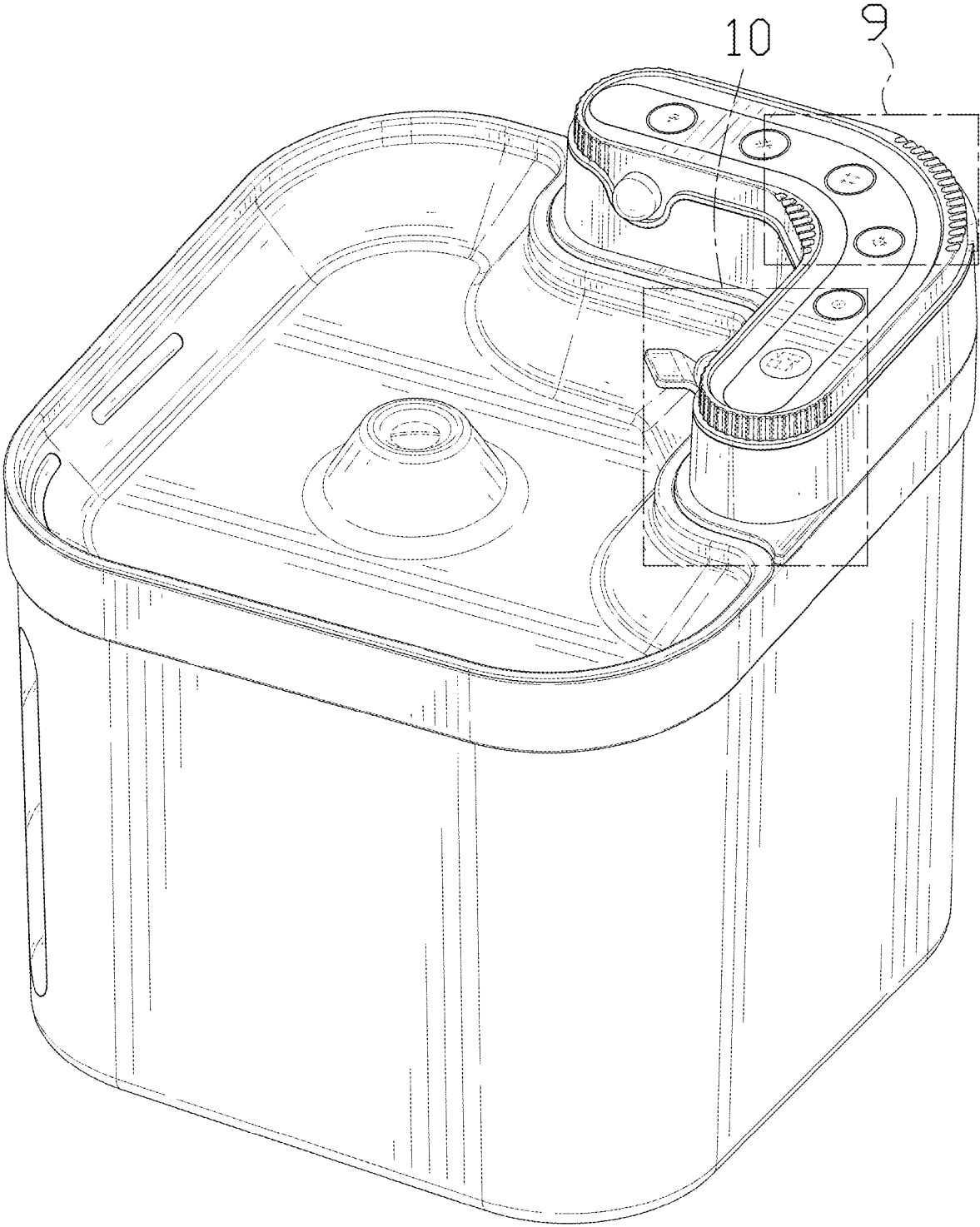


FIG. 1

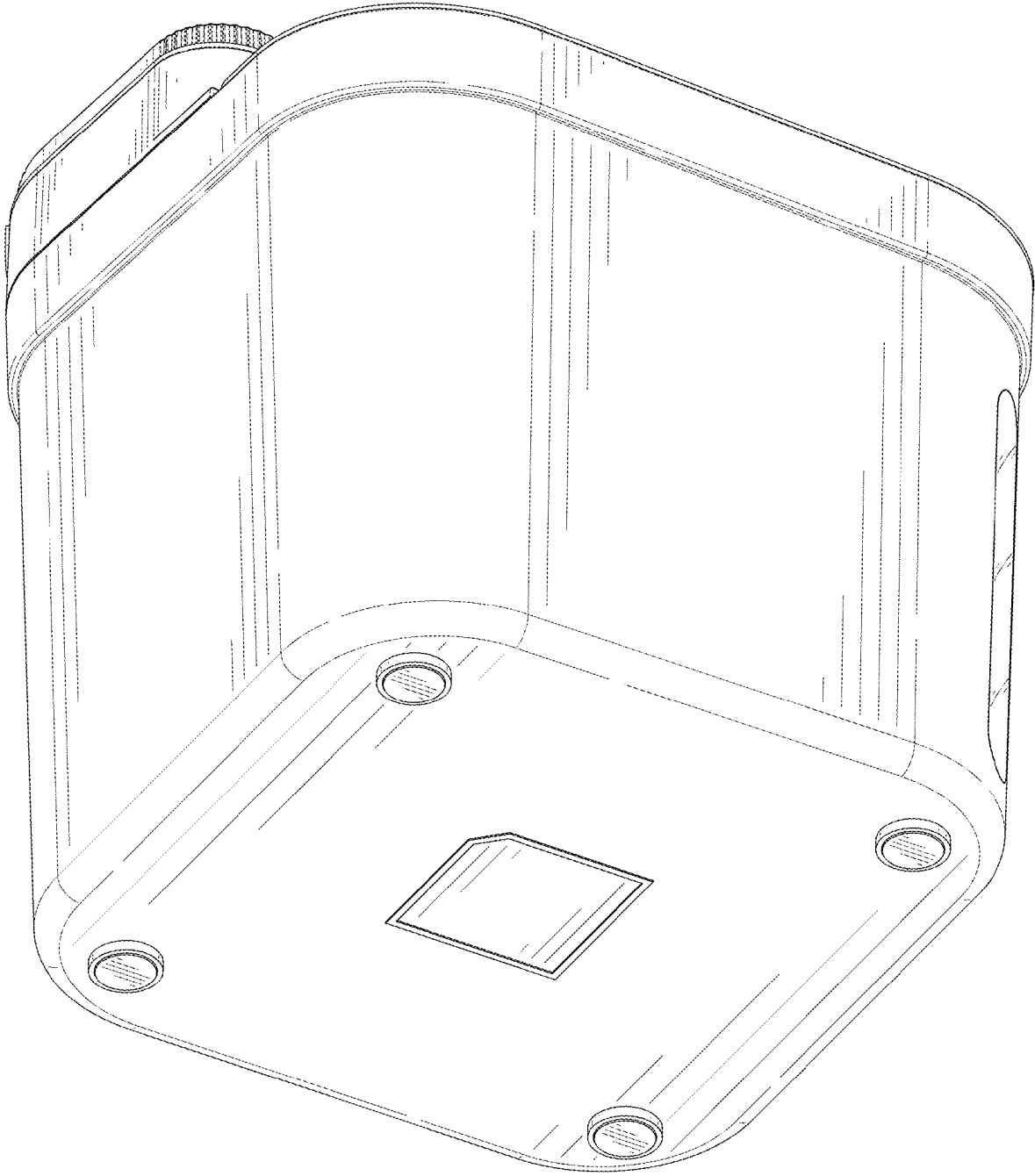


FIG. 2

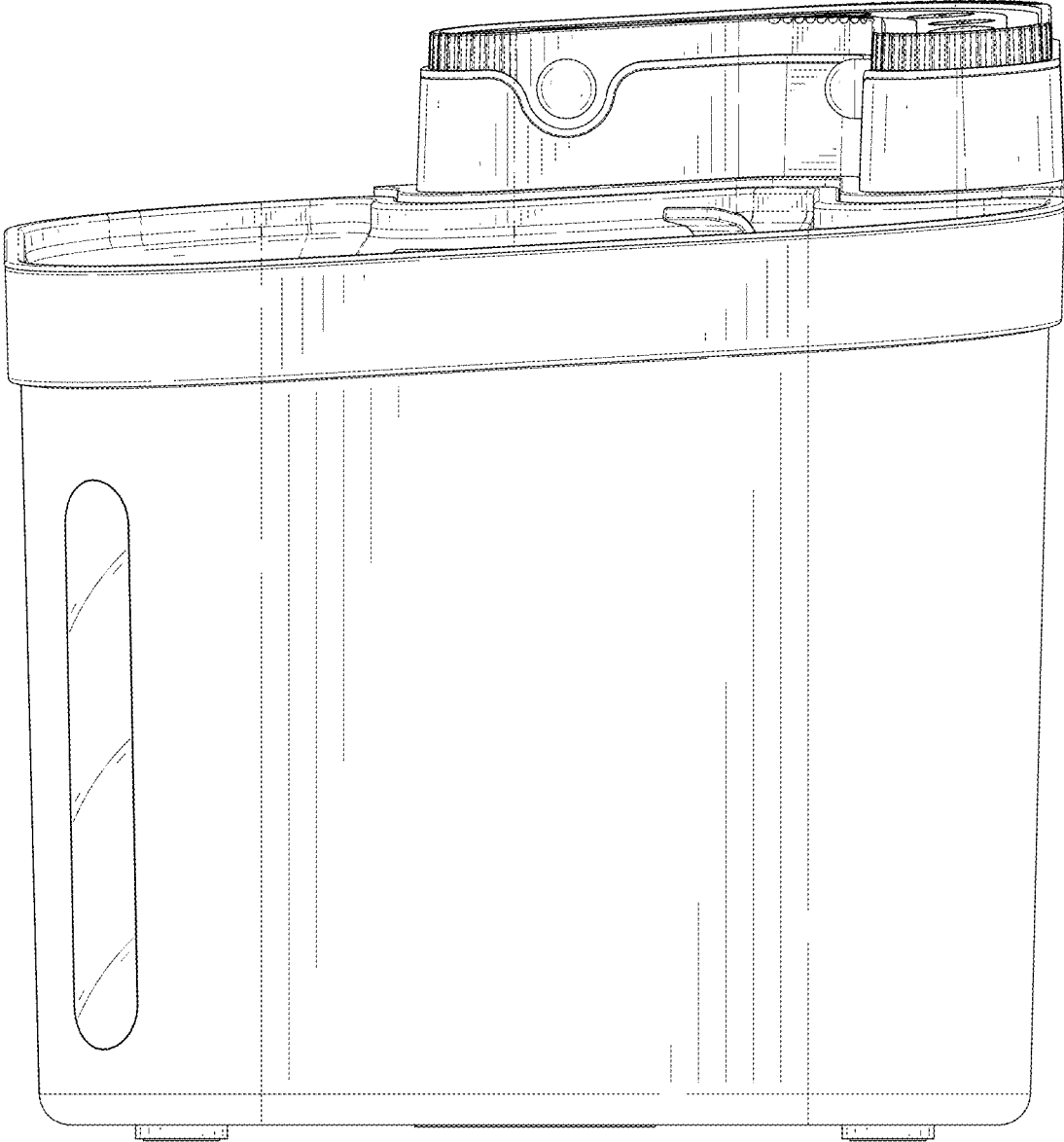


FIG. 3

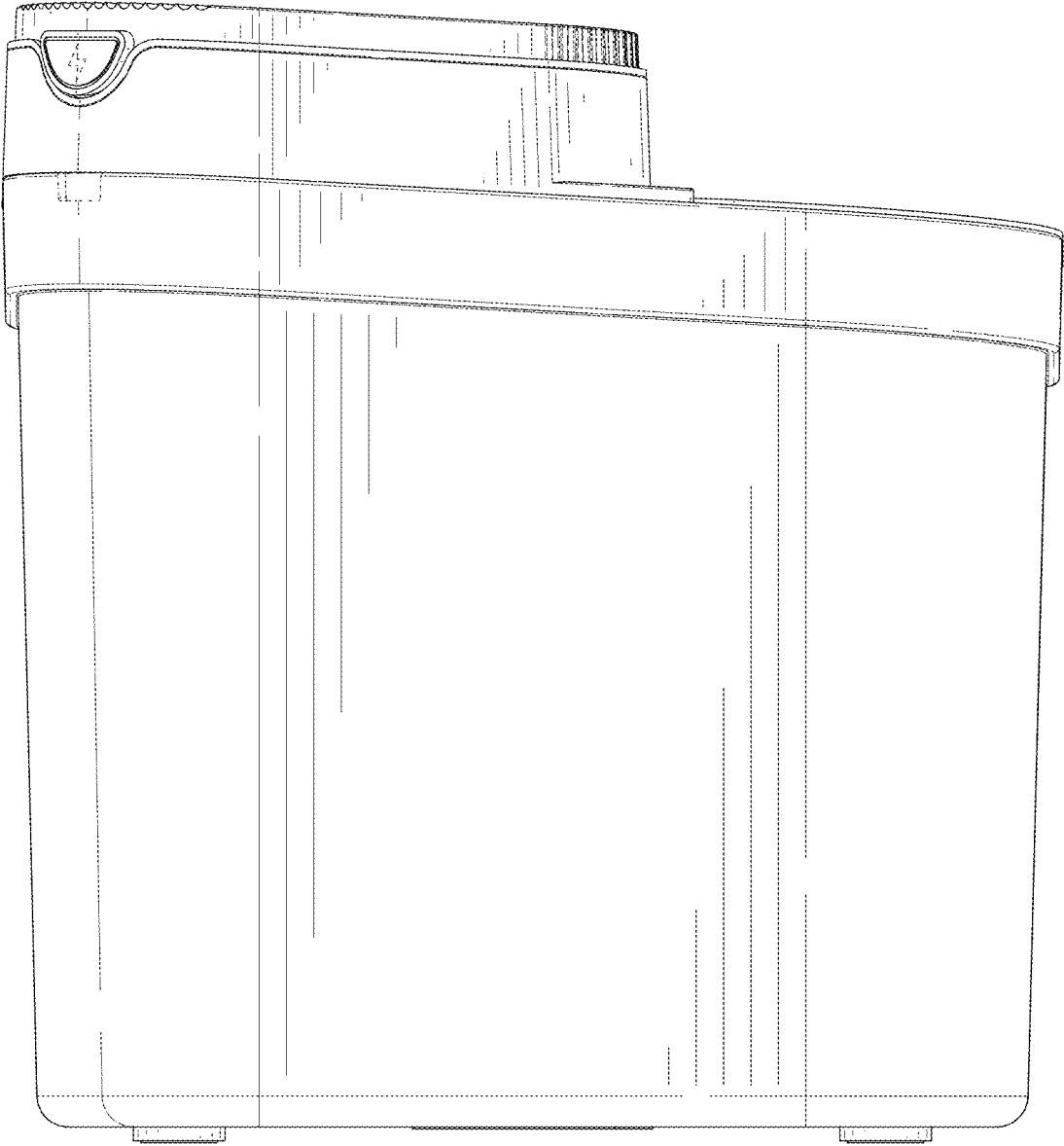


FIG. 4

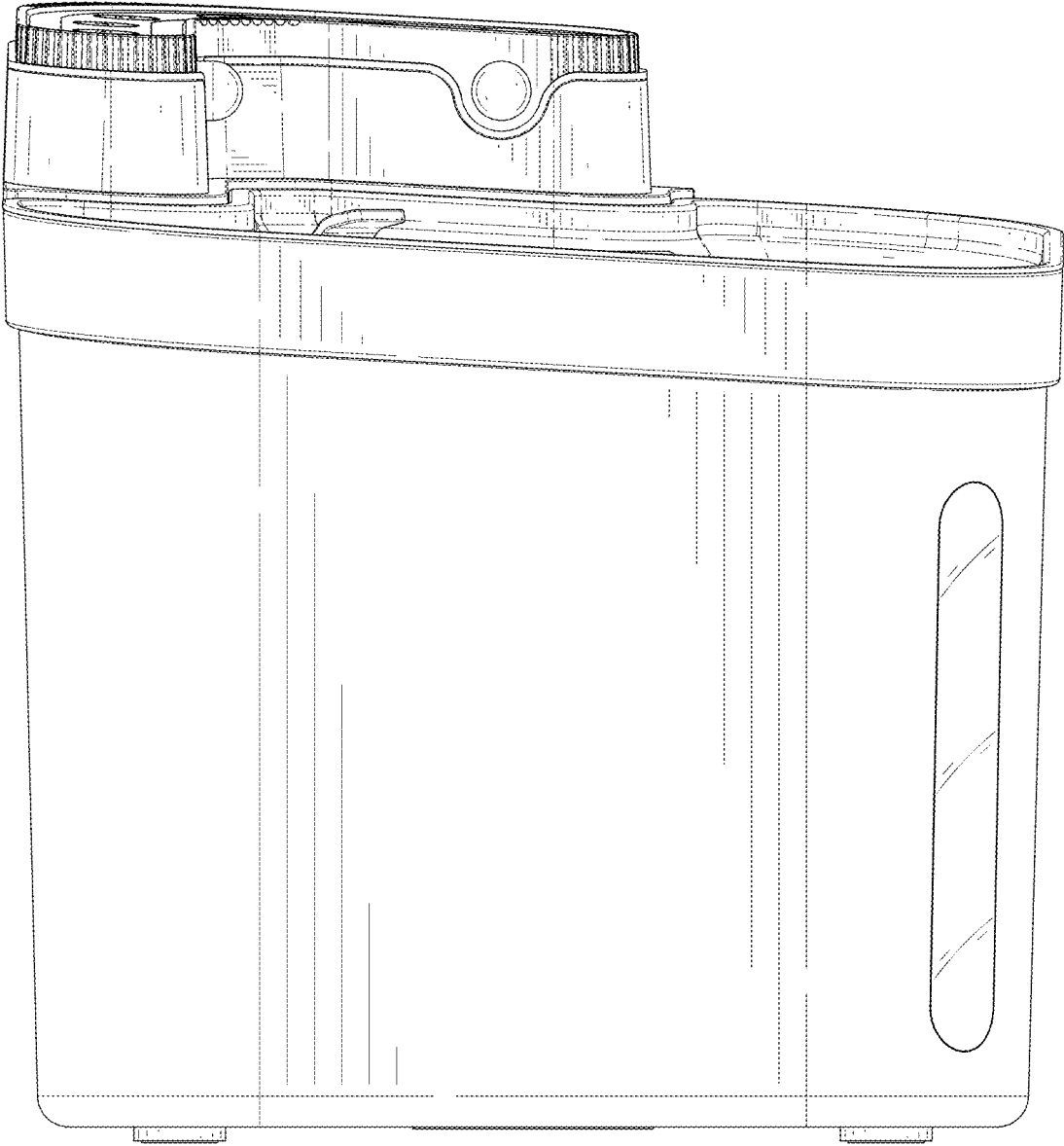


FIG. 5

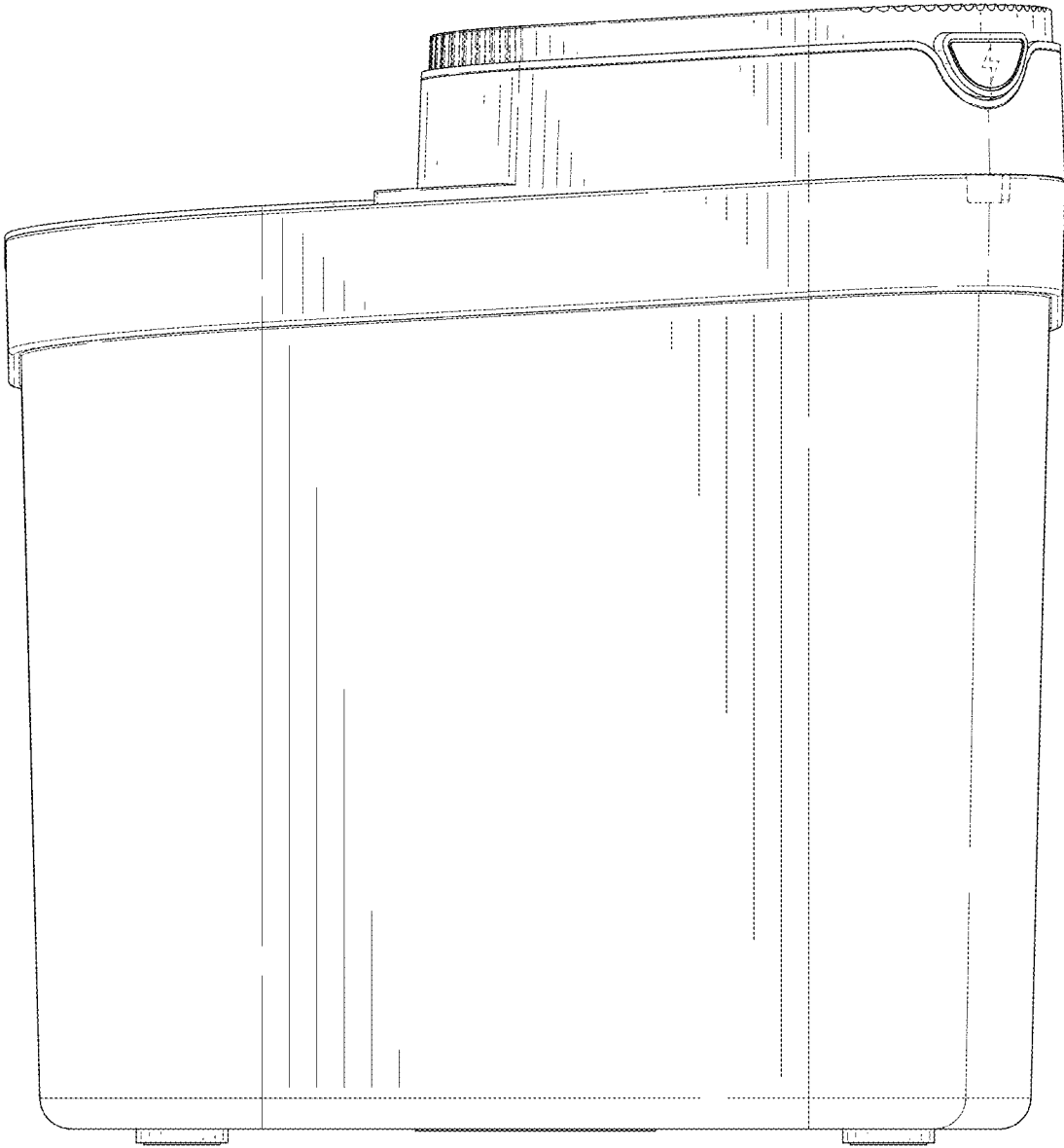


FIG. 6

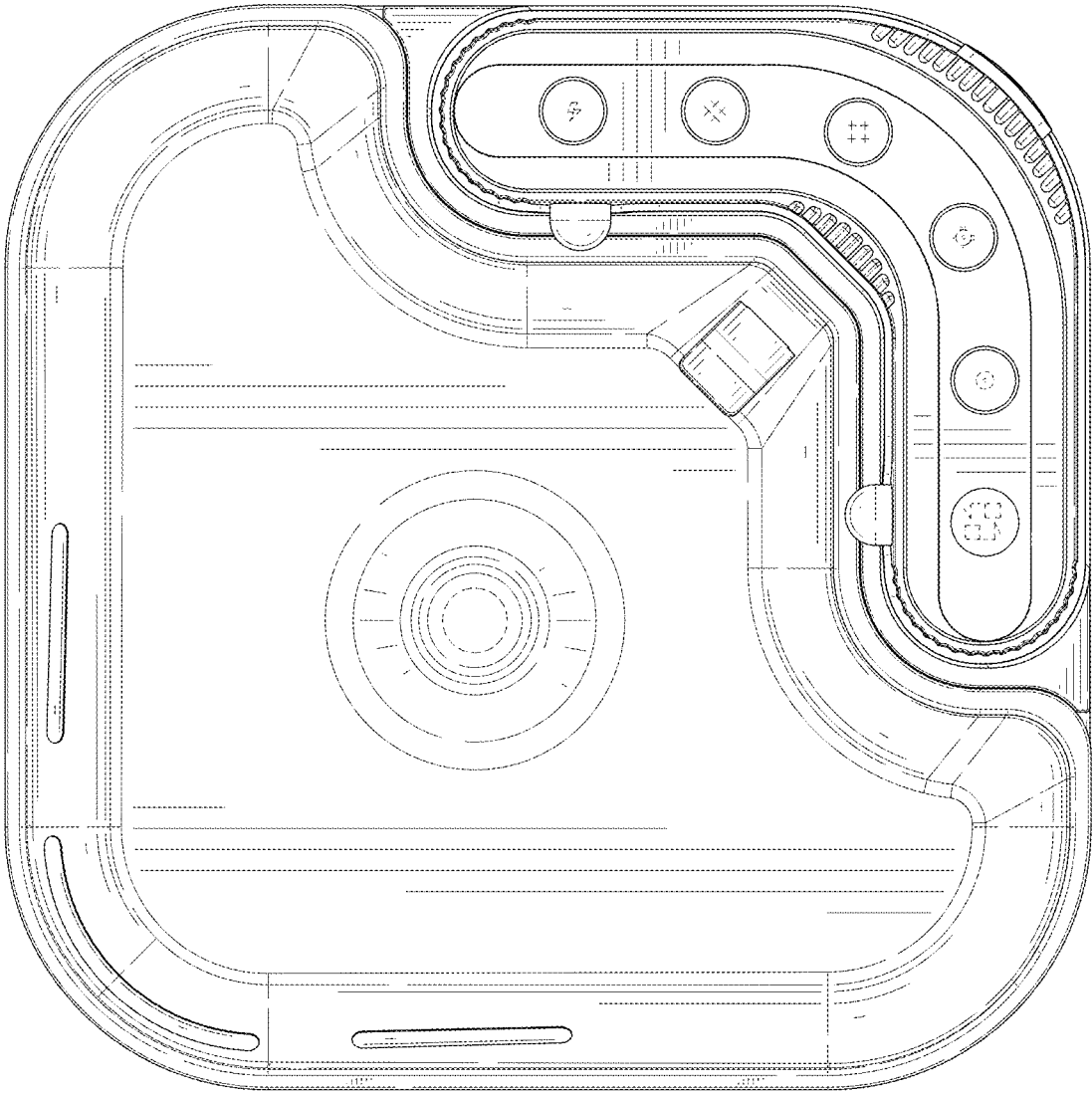


FIG. 7

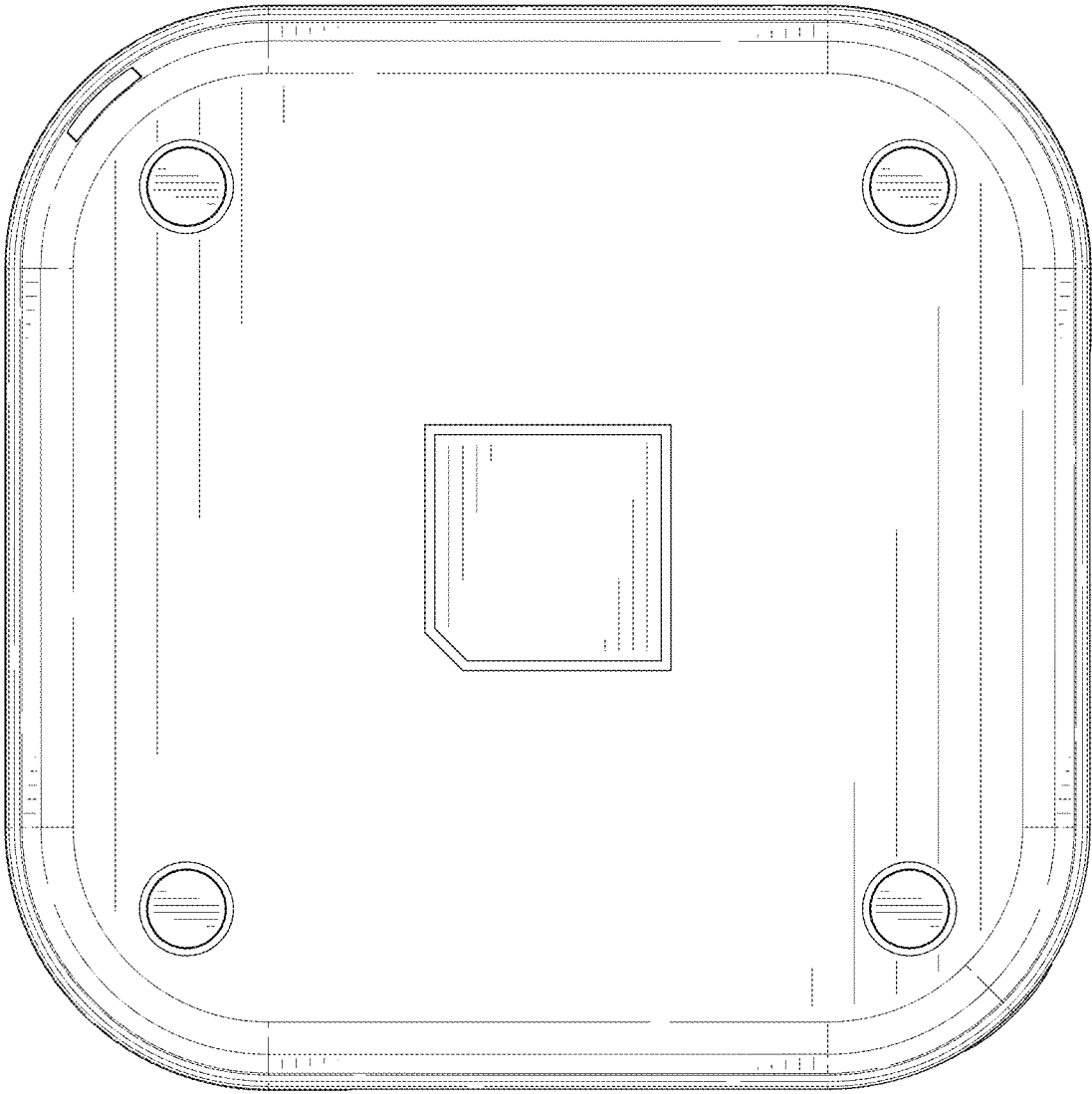


FIG. 8

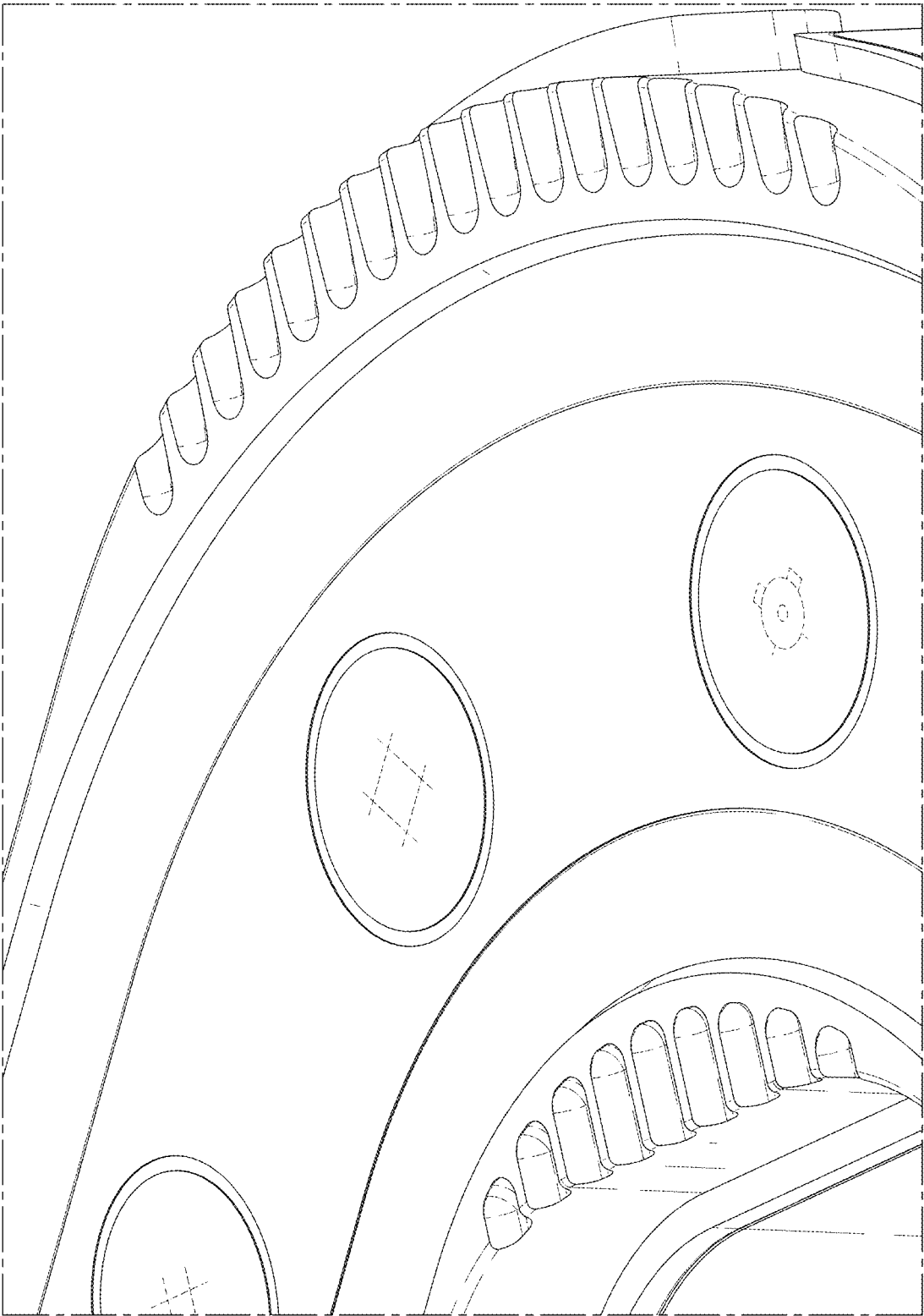


FIG. 9

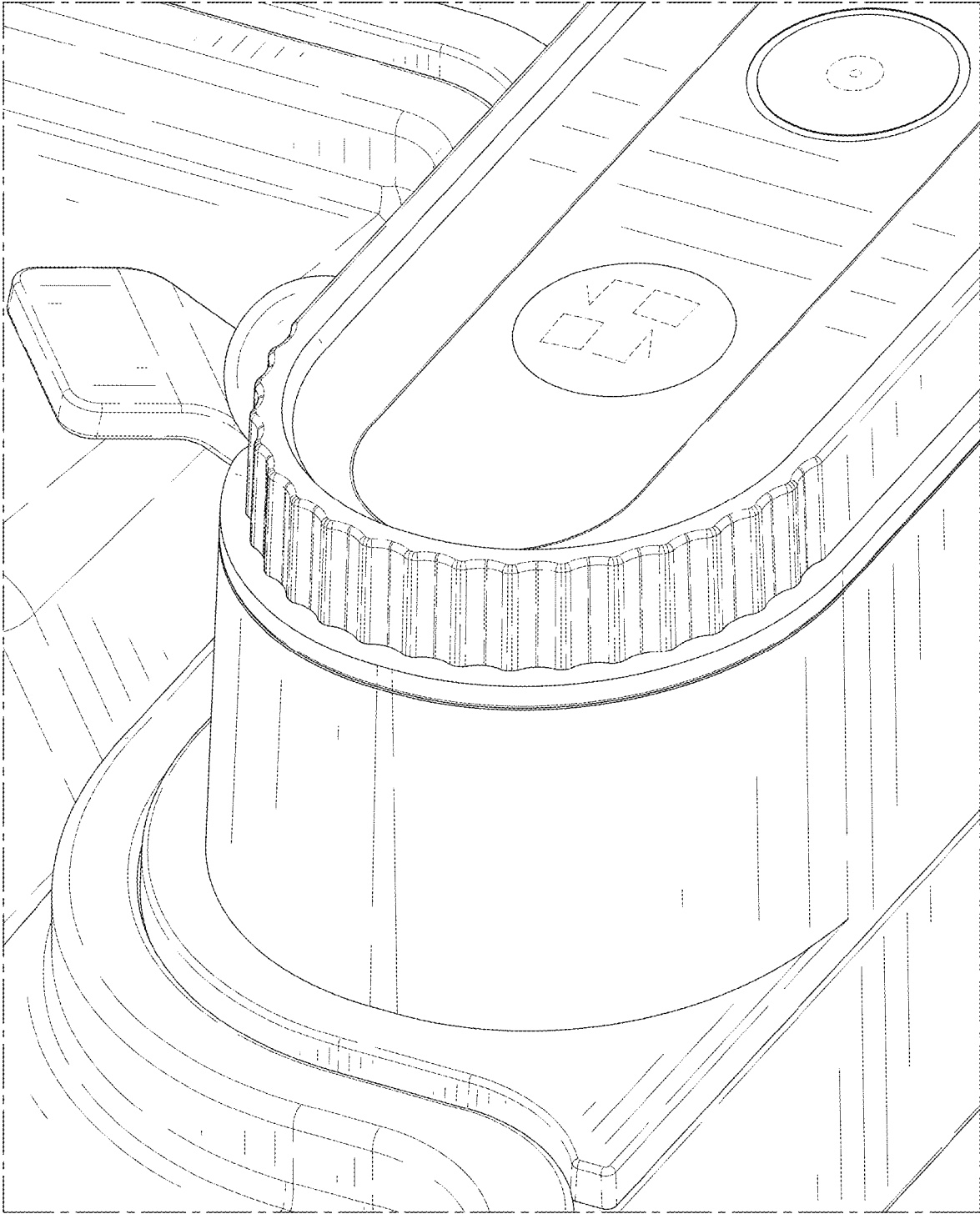


FIG. 10