



US00D911455S

(12) **United States Design Patent**
Huang

(10) **Patent No.:** **US D911,455 S**

(45) **Date of Patent:** **** Feb. 23, 2021**

(54) **ELECTRIC SCOOTER**

(71) Applicant: **RAZOR USA LLC**, Cerritos, CA (US)

(72) Inventor: **Joey Chih-Wei Huang**, Temple City, CA (US)

(73) Assignee: **RAZOR USA LLC**, Cerritos, CA (US)

(**) Term: **15 Years**

(21) Appl. No.: **29/720,680**

(22) Filed: **Jan. 15, 2020**

D433,718 S	11/2000	Mcgreen
D435,873 S	1/2001	Lee
D435,874 S	1/2001	Cheng
6,179,307 B1	1/2001	Mao
D438,911 S	3/2001	Chen
D438,912 S	3/2001	Barrera
D439,623 S	3/2001	Barrera
6,199,652 B1	3/2001	Mastroianni et al.

(Continued)

FOREIGN PATENT DOCUMENTS

CH	598051	4/1978
CN	2448414 Y	9/2001

(Continued)

OTHER PUBLICATIONS

U.S. Appl. No. 29/591,292, filed Jan. 18, 2017, Huang et al.
(Continued)

Primary Examiner — Cynthia M. Chin
(74) *Attorney, Agent, or Firm* — Knobbe Martens Olson & Bear, LLP

(57) **CLAIM**

The ornamental design for an electric scooter, as shown and described.

DESCRIPTION

FIG. 1 is a top, rear, left-side perspective view showing of an electric scooter of my design;
FIG. 2 is a front view thereof;
FIG. 3 is a rear view thereof;
FIG. 4 is a left-side view thereof;
FIG. 5 is a right-side view thereof;
FIG. 6 is a top view thereof; and,
FIG. 7 is a bottom view thereof.
The broken lines illustrate portions of the electric scooter that form no part of the claimed design.

1 Claim, 6 Drawing Sheets

Related U.S. Application Data

(63) Continuation of application No. 29/647,834, filed on May 16, 2018, now Pat. No. Des. 873,349, which is a continuation of application No. 29/577,038, filed on Sep. 8, 2016, now Pat. No. Des. 818,541.

(51) **LOC (13) Cl.** **21-01**

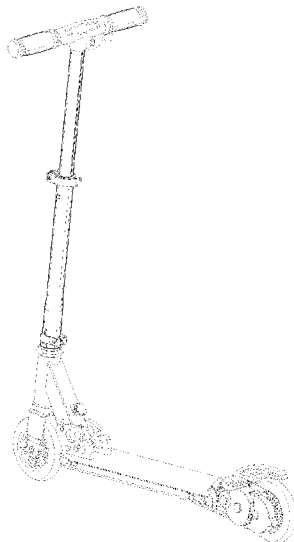
(52) **U.S. Cl.** **D21/423**
USPC **D21/423**

(58) **Field of Classification Search**
USPC D21/419, 421, 423, 426–428, 435, 760, D21/765, 771; D12/1, 8, 108, 112, 113
CPC . B62K 3/002; B62K 9/00; B62K 9/02; B62K 13/00; B62K 2202/00; B62K 11/00; B62K 11/02; B62K 11/06; B62K 11/10; B62K 15/00; B62K 17/00; H04W 4/40
See application file for complete search history.

(56) **References Cited**

U.S. PATENT DOCUMENTS

4,094,372 A	6/1978	Notter
4,842,091 A	6/1989	Badsey
D326,290 S	5/1992	Badsey
5,662,187 A	9/1997	McGovern
5,848,660 A	12/1998	McGreen
6,029,763 A	2/2000	Swisher
6,139,035 A	10/2000	Tsai



(56)

References Cited

U.S. PATENT DOCUMENTS

6,206,387 B1	3/2001	Tsai		D715,870 S	10/2014	Talios
6,234,501 B1 *	5/2001	Chen	C23F 1/46 16/900	8,870,200 B2	10/2014	Chen
D444,824 S	7/2001	Udwin et al.		D717,881 S	11/2014	Radtke et al.
D446,259 S	8/2001	Udwin et al.		8,925,935 B2	1/2015	Powers et al.
D447,187 S	8/2001	Powers		D727,833 S	4/2015	Talios et al.
D447,188 S	8/2001	Lan		9,045,189 B2	6/2015	Lovley, II et al.
6,270,095 B1 *	8/2001	Chang	B62K 3/002 280/87.041	D736,324 S	8/2015	Lu et al.
6,273,205 B1	8/2001	Tsai		9,114,821 B1	8/2015	Xu
6,283,485 B1 *	9/2001	Tsai	B62K 3/002 280/87.041	D738,435 S	9/2015	O'Connell
6,296,082 B1	10/2001	Tsai		D748,738 S	2/2016	Hadley et al.
6,298,952 B1	10/2001	Tsai		D750,180 S	2/2016	Edlauer
D450,355 S	11/2001	Chan		9,321,504 B2	4/2016	Hadley et al.
D452,284 S	12/2001	McGinnis		D756,464 S	5/2016	Edlauer
D453,198 S	1/2002	Dudley		D756,465 S	5/2016	Byrne et al.
D453,804 S	2/2002	Robinson		D772,990 S	11/2016	Allais
6,345,678 B1	2/2002	Chang		D774,145 S	12/2016	Hadley et al.
D454,377 S	3/2002	Hsu et al.		D774,601 S	12/2016	Mizrahi et al.
D456,460 S	4/2002	Tseng		D777,844 S	1/2017	Connell
6,378,880 B1	4/2002	Lin		D778,806 S	2/2017	Welford
6,382,366 B1	5/2002	Chang		9,592,876 B2	3/2017	Lovley, II et al.
6,386,330 B1	5/2002	Wei		9,660,500 B2	5/2017	Huang
6,394,213 B1	5/2002	Tsai		D806,176 S	12/2017	Peng
6,409,190 B1 *	6/2002	Tsai	B62K 3/002 280/270	D810,836 S	2/2018	Hadley
D459,761 S	7/2002	Chen		D811,489 S	2/2018	Hadley et al.
6,416,060 B1	7/2002	Chen		D815,215 S	4/2018	Desberg
6,428,021 B1	8/2002	Tung		D818,541 S	5/2018	Huang
6,443,470 B1	9/2002	Ulrich et al.		D829,826 S	10/2018	Liu et al.
D464,379 S	10/2002	Lin		D830,468 S	10/2018	Liu
6,462,493 B2	10/2002	Lan		10,099,745 B2	10/2018	Hadley et al.
6,481,728 B2	11/2002	Chen		D834,097 S	11/2018	Lin et al.
6,481,729 B2	11/2002	Herman et al.		10,124,851 B2	11/2018	Lovley, II et al.
D471,597 S	3/2003	Chen		D836,727 S	12/2018	Wilson et al.
D471,598 S	3/2003	Chen		D837,303 S	1/2019	Desberg
D475,093 S	5/2003	Furter et al.		D839,358 S	1/2019	Cao
6,619,416 B2	9/2003	Lan		D839,359 S	1/2019	Hadley
6,619,679 B2	9/2003	Lan		10,189,533 B2	1/2019	Lovley, II et al.
6,672,607 B2	1/2004	Chung		D849,153 S	5/2019	Zhang et al.
D486,532 S	2/2004	Christianson		D855,115 S	7/2019	Yan
6,739,421 B1	5/2004	Miya		D872,192 S	1/2020	Hadley
D492,367 S	6/2004	Dennis		D873,349 S	1/2020	Huang
D497,397 S	10/2004	Sramek		10,737,743 B2	8/2020	Hadley et al.
6,832,660 B2	12/2004	Dodd		2002/0093161 A1	7/2002	Udwin et al.
D513,629 S	1/2006	Sramek		2002/0170763 A1	11/2002	Townsend
D516,132 S	2/2006	Sramek		2003/0168273 A1	9/2003	Ducharme et al.
7,156,405 B1 *	1/2007	Ming	B62K 3/002 280/278	2003/0221888 A1	12/2003	McKinney, Jr. et al.
7,351,265 B2	4/2008	Vitale et al.		2004/0129472 A1 *	7/2004	Cheng
D569,447 S	5/2008	Thomas				B62K 3/002 180/181
7,431,110 B2	10/2008	Greenwood et al.		2005/0012289 A1	1/2005	Wang et al.
D579,987 S	11/2008	Hong		2005/0173175 A1	8/2005	Lee
7,584,974 B2 *	9/2009	Jackman	B62K 3/002 180/181	2006/0049595 A1	3/2006	Crigler et al.
D603,463 S	11/2009	Jessie, Jr.		2007/0045976 A1	3/2007	Wu
7,654,356 B2	2/2010	Wu		2008/0203691 A1	8/2008	Hsu
7,976,035 B2	7/2011	Chan		2009/0071740 A1	3/2009	Palmer
D645,522 S	9/2011	Powers et al.		2009/0160150 A1	6/2009	Johnson
D654,963 S	2/2012	Powers et al.		2010/0123295 A1	5/2010	Landau
D656,560 S	3/2012	Patterson et al.		2013/0026734 A1	1/2013	Zhang et al.
8,292,018 B2	10/2012	Huang		2013/0087983 A1	4/2013	Ngai
D671,600 S	11/2012	Horne		2013/0186698 A1	7/2013	Sarokhan
D672,400 S	12/2012	Pizzi		2013/0320648 A1	12/2013	Eckert et al.
D684,217 S	6/2013	Hadley		2017/0240239 A1	8/2017	Huang et al.
D686,674 S *	7/2013	Hadley	D21/423	2019/0193809 A1	6/2019	Hadley
D691,671 S	10/2013	Chen et al.		2019/0263468 A1	8/2019	Huang
D692,963 S	11/2013	Radtke et al.				
D693,414 S	11/2013	Hadley et al.				
D698,868 S	2/2014	Chan				
D710,949 S	8/2014	Huang				
8,813,892 B2	8/2014	Hadley et al.				
D714,396 S	9/2014	Talios				

FOREIGN PATENT DOCUMENTS

CN	2452873	10/2001
CN	204021174 U	12/2014
DE	201 07 388 U1	7/2001
JP	2001-225775 A	8/2001
JP	3081197 U	10/2001
WO	WO 2015/095368	6/2015
WO	WO 2015/114614 A2	8/2015
WO	WO 2017/127464 A1	7/2017

OTHER PUBLICATIONS

U.S. Appl. No. 29/637,724, filed Feb. 21, 2018, Hadley.
International Search Report in co-pending International Application
No. PCT/US2017/013998, dated May 25, 2017, in 4 pages.

(56)

References Cited

OTHER PUBLICATIONS

International Preliminary Report on Patentability in International Application No. PCT/US2017/013998, dated Jul. 24, 2018, in 10 pages.

* cited by examiner

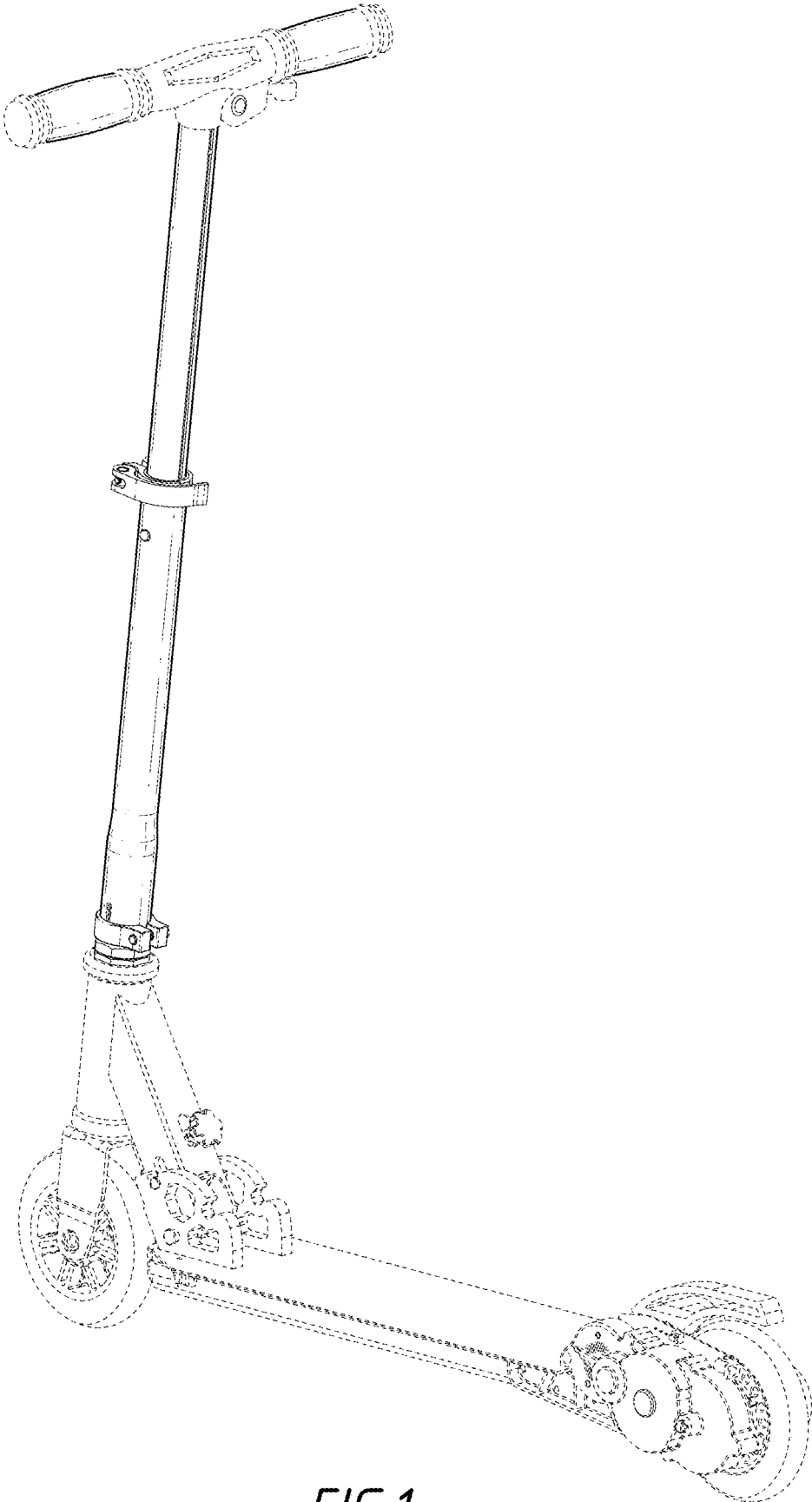


FIG. 1

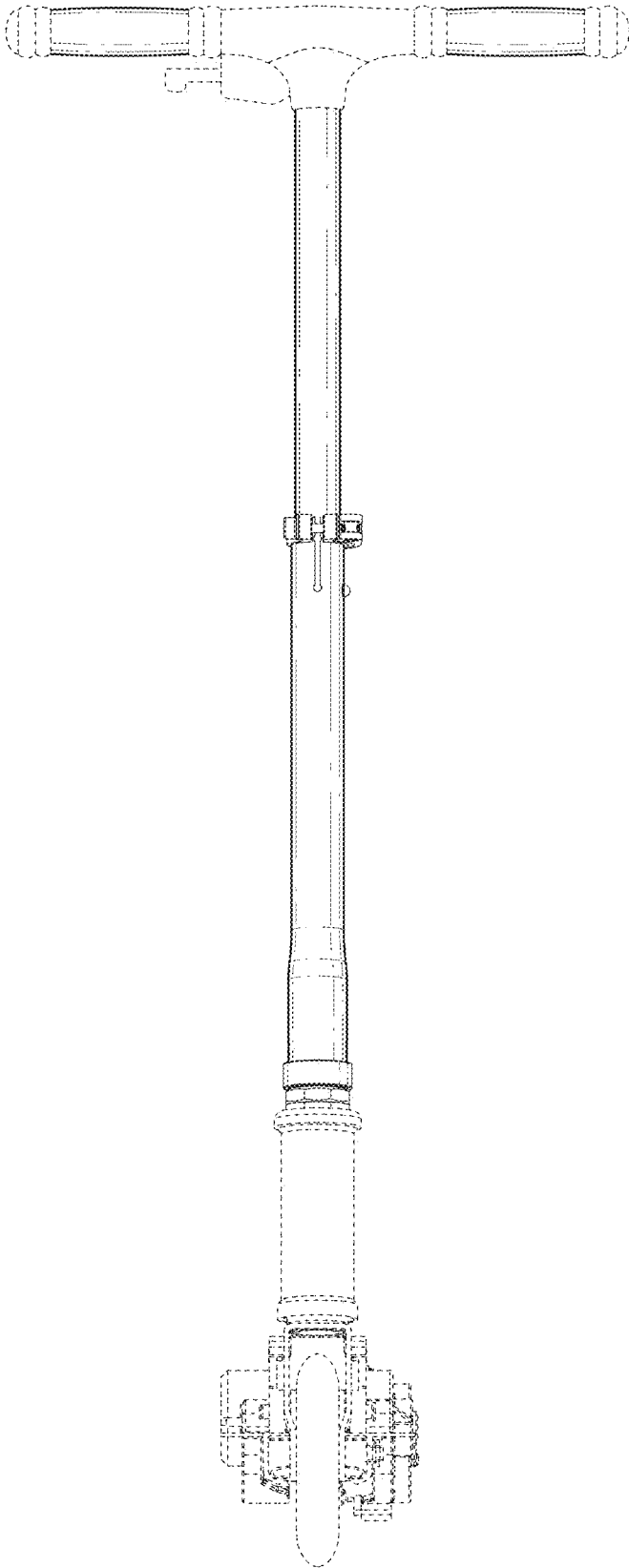


FIG. 2

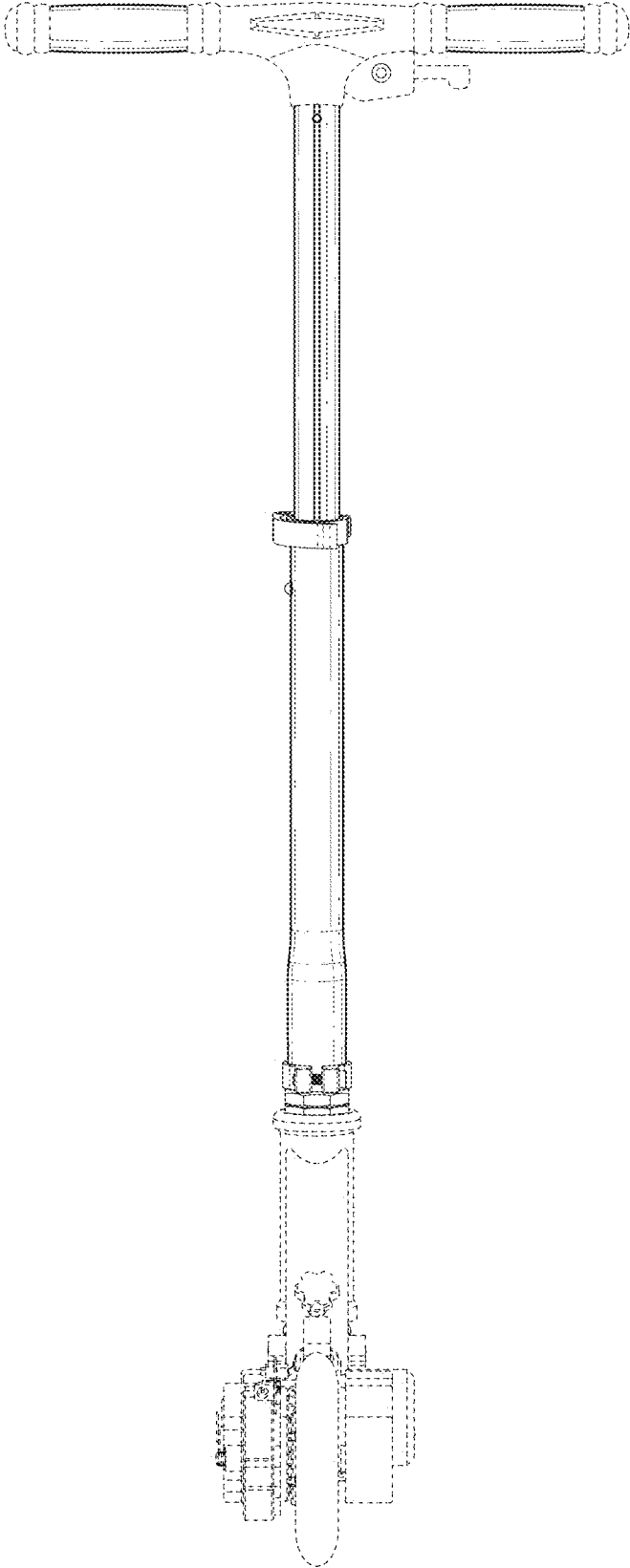


FIG. 3

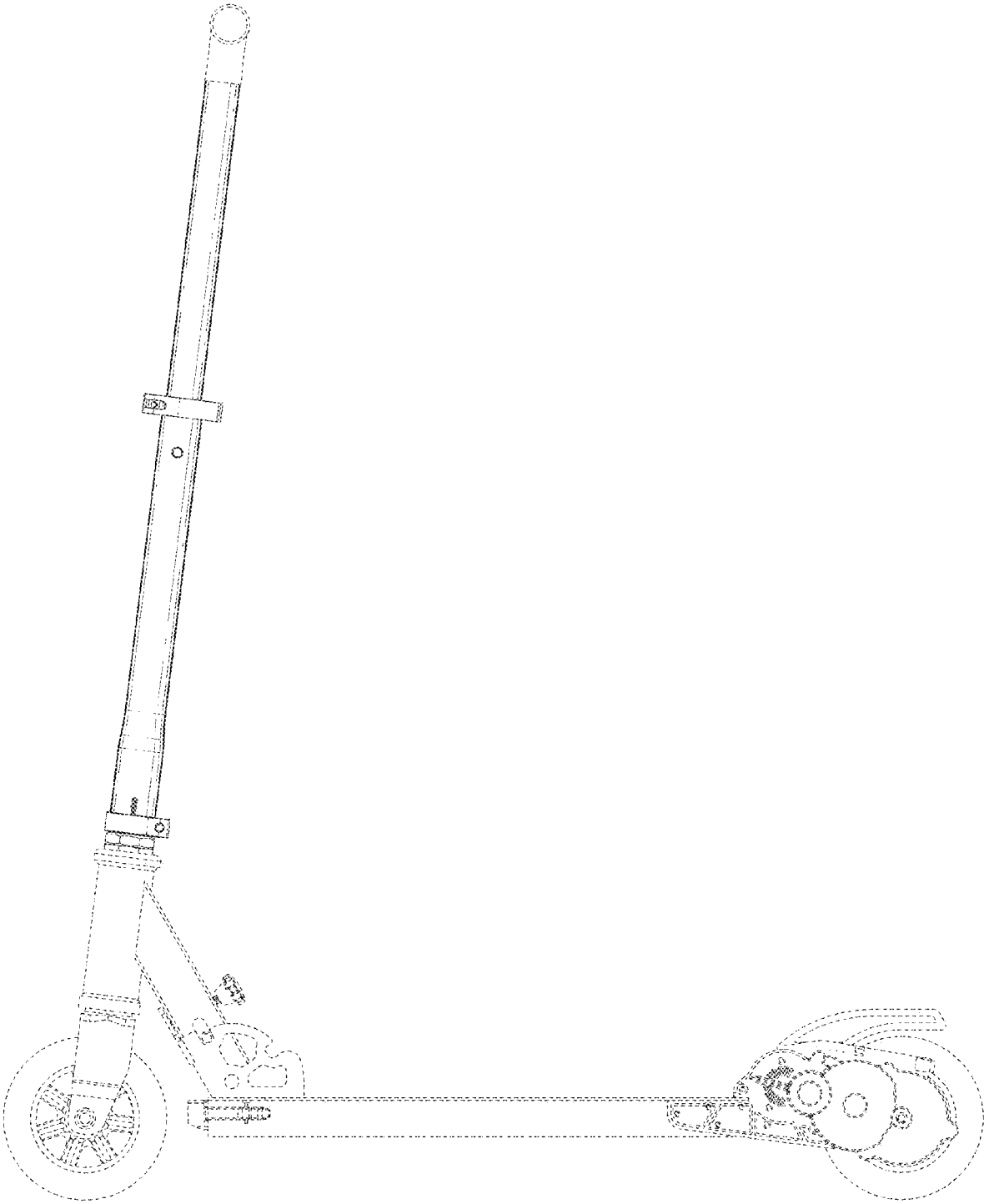


FIG. 4

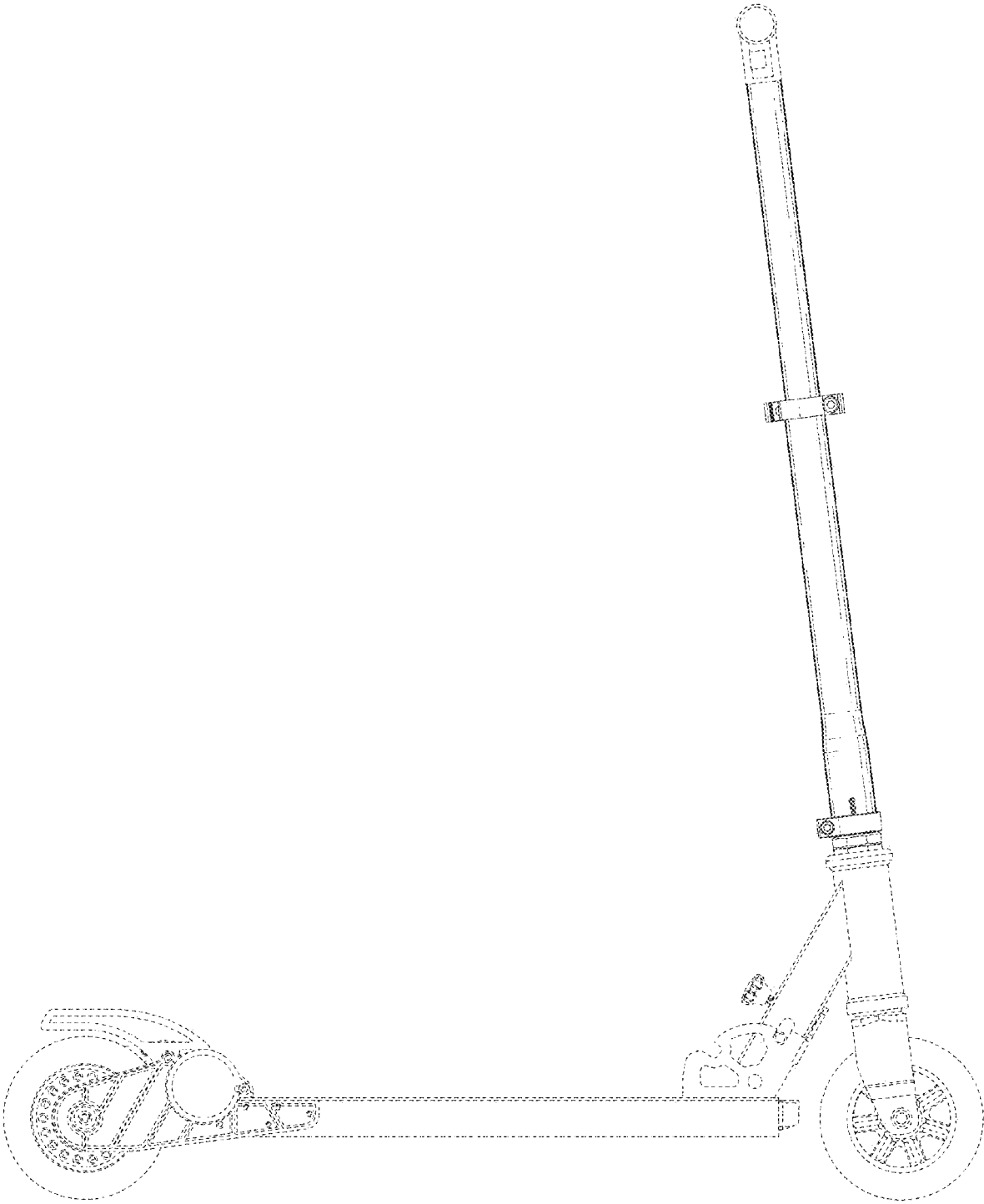


FIG. 5

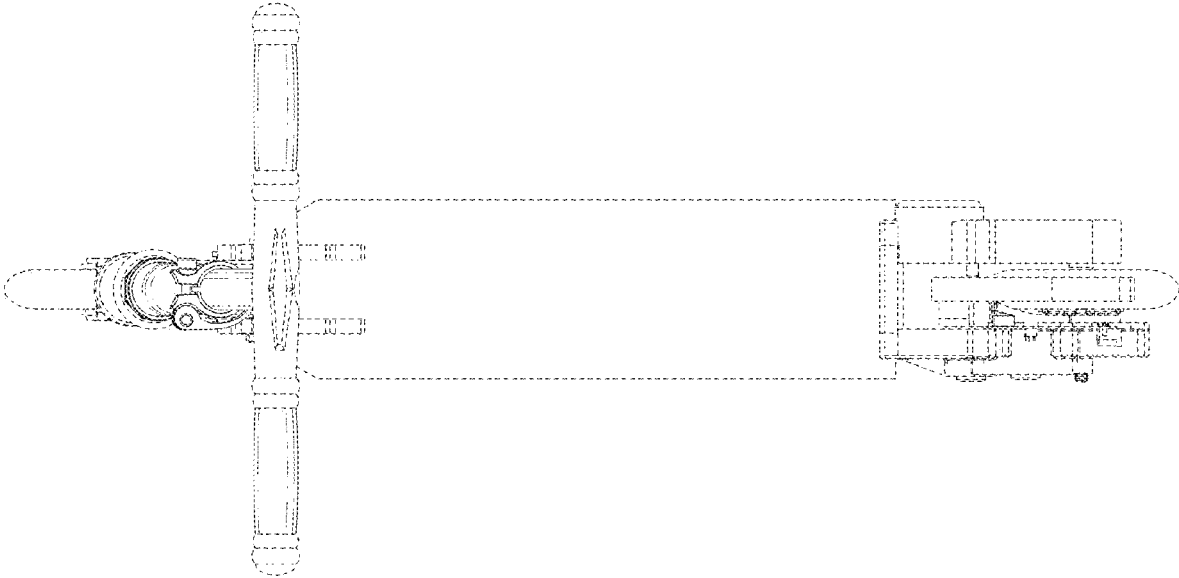


FIG. 6

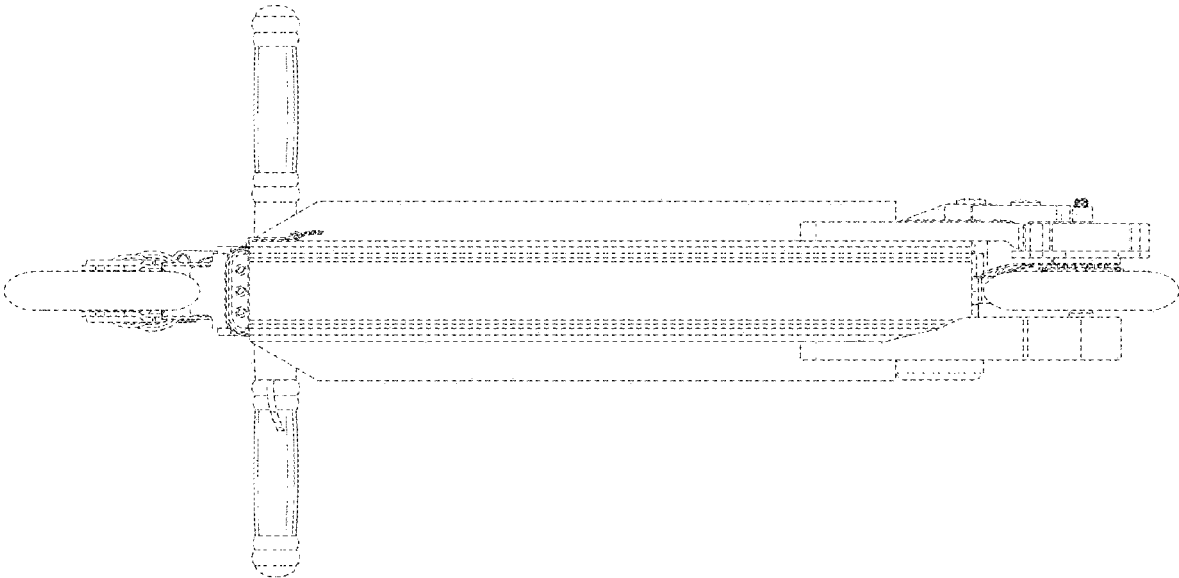


FIG. 7