



(12) **United States Design Patent**
Grandadam

(10) **Patent No.:** **US D990,010 S**
(45) **Date of Patent:** **** Jun. 20, 2023**

(54) **PORTABLE, ELONGATED LANTERN**

FOREIGN PATENT DOCUMENTS

(71) Applicant: **Promier Products, Inc.**, Peru, IL (US)

KR 300770257.0000 * 11/2014

(72) Inventor: **Cody Duane Grandadam**, Peru, IL (US)

OTHER PUBLICATIONS

(73) Assignee: **Promier Products Inc.**, Peru, IL (US)

International Search Report and Written Opinion issued to PCT/US18/47730 dated Nov. 1, 2018, 7 pages.

(**) Term: **15 Years**

(Continued)

(21) Appl. No.: **29/763,954**

Primary Examiner — Cary M Robinson

Assistant Examiner — Julie Marie Bailey

(22) Filed: **Dec. 27, 2020**

(74) *Attorney, Agent, or Firm* — Barnes & Thornburg LLP

Related U.S. Application Data

(63) Continuation of application No. 29/614,796, filed on Aug. 23, 2017, now Pat. No. Des. 923,836.

(51) **LOC (14) Cl.** **26-02**

(52) **U.S. Cl.**
USPC **D26/40**

(58) **Field of Classification Search**
USPC D26/36, 37, 38, 40, 41, 42, 48, 49, 50, D26/104
CPC F21L 4/00; F21L 4/027; F21L 4/08; F21L 19/00; F21L 15/02

See application file for complete search history.

(56) **References Cited**

U.S. PATENT DOCUMENTS

4,782,432	A	11/1988	Coffman
D300,602	S	4/1989	Smith
D308,258	S	5/1990	Kung-kit et al.
5,003,441	A	3/1991	Crowe et al.
5,068,773	A	11/1991	Toth
5,072,345	A	12/1991	Goggia
5,550,727	A	8/1996	Fenyvesy
5,642,931	A	7/1997	Gappelberg
5,758,949	A	6/1998	Van Deursen
D417,022	S	11/1999	Chiu
6,030,094	A	2/2000	Sedovic et al.
6,179,431	B1	1/2001	Chien

(Continued)

(57) **CLAIM**

I claim the ornamental design for a portable, elongated lantern, as shown and described.

DESCRIPTION

FIG. 1 is a first perspective view of a portable, elongated lantern, according to a new design.

FIG. 2 is a second perspective view of the lantern of FIG. 1.

FIG. 3 is a front view of the lantern of FIG. 1.

FIG. 4 is a rear view of the lantern of FIG. 1.

FIG. 5 is a left side view of the lantern of FIG. 1.

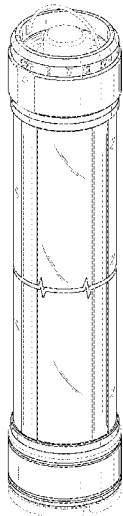
FIG. 6 is a right side view of the lantern of FIG. 1.

FIG. 7 is a top view of the lantern of FIG. 1; and,

FIG. 8 is a bottom view of the lantern of FIG. 1.

Those portions of the present invention which are presented in phantom illustrate the environment of the design only and form no part of the claimed design. The article is shown with break lines in FIGS. 1-8. The appearance of any portion of the article between the break lines forms no part of the claimed design. Moreover, any shading presented in the accompanying drawings is provided merely to highlight the contour of the invention and is not intended to be illustrative of texture or gloss.

1 Claim, 5 Drawing Sheets



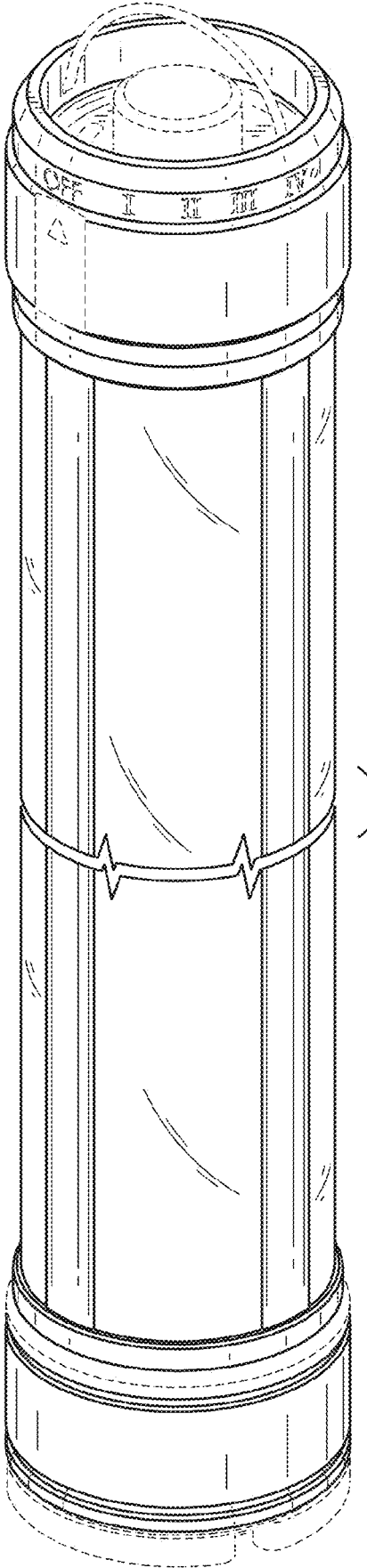


FIG. 1

FIG. 2

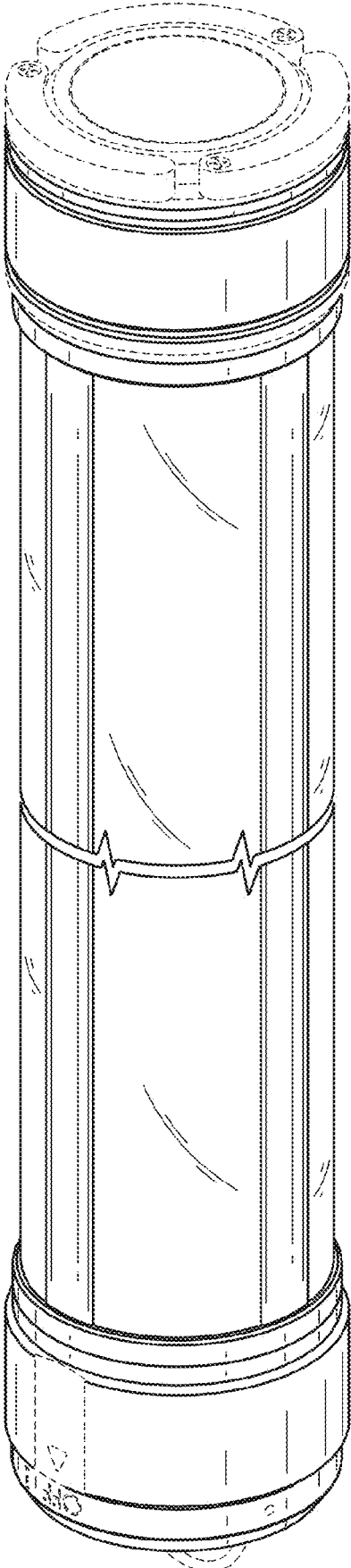


FIG. 3

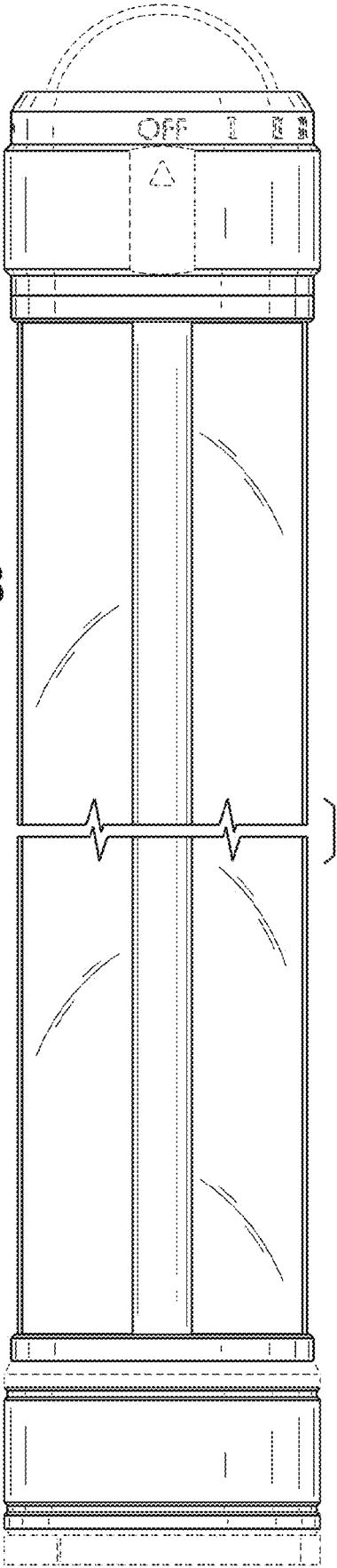


FIG. 4

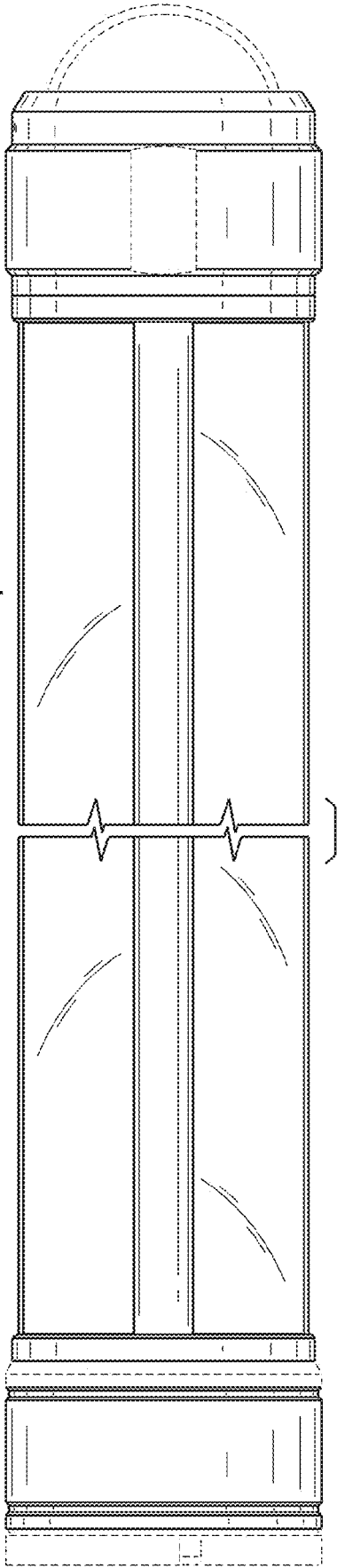


FIG. 5

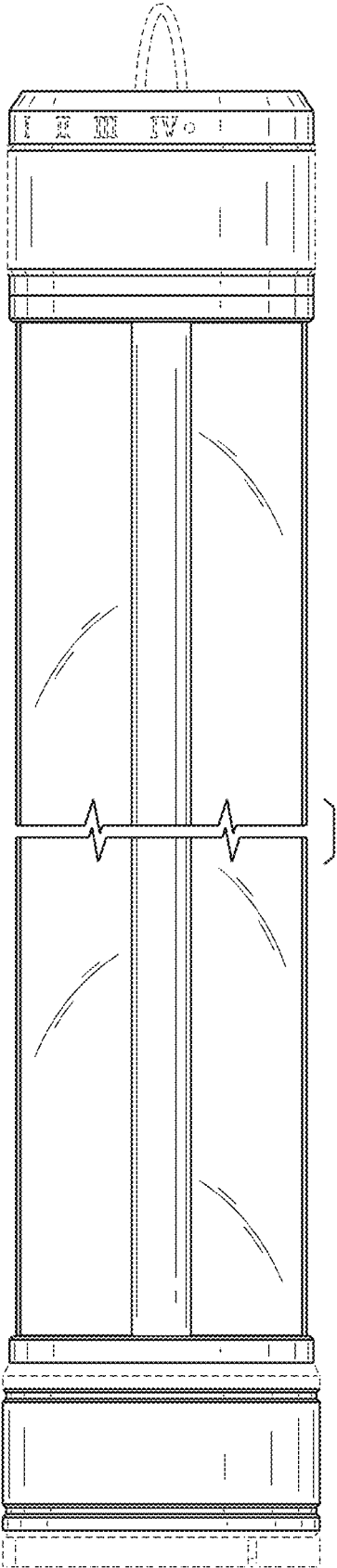
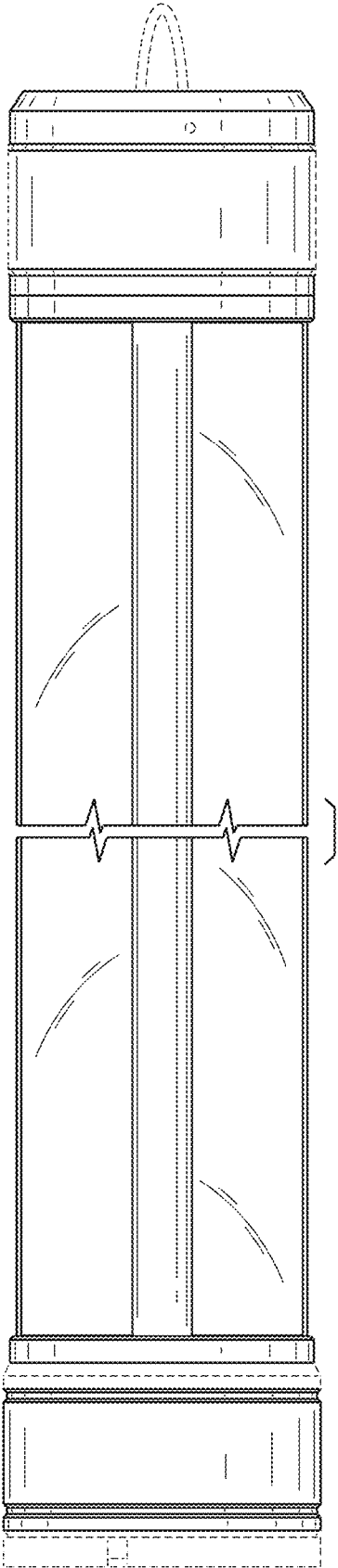


FIG. 6



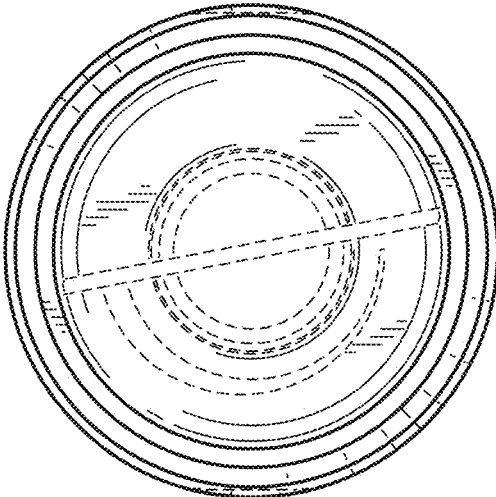


FIG. 7

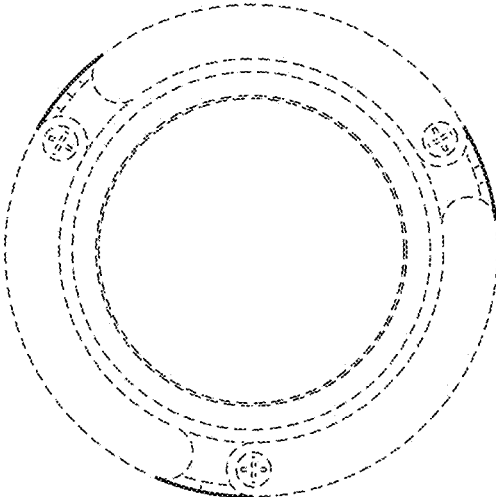


FIG. 8