



US0D1069407S

(12) **United States Design Patent**  
**Gehry**

(10) **Patent No.:** **US D1,069,407 S**

(45) **Date of Patent:** **\*\* Apr. 8, 2025**

(54) **PERFUME CASE**

FOREIGN PATENT DOCUMENTS

(71) Applicant: **LOUIS VUITTON MALLETIER**,  
Paris (FR)

GB 6173712 \* 11/2021

(72) Inventor: **Frank Gehry**, Los Angeles, CA (US)

OTHER PUBLICATIONS

(73) Assignee: **Louis Vuitton Malletier**, Paris (FR)

[Louis Vuitton Reimagines Les Extraits Fragrance Collection With Architect Frank Gehry], posted Oct. 11, 2021 [online], [retrieved Jan. 17, 2024]. Retrieved from internet, <https://hypebeast.com/2021/10/louis-vuitton-reimagines-les-extraits-fragrance-collection-with-architect-frank-gehyr> (Year: 2021).\*

(\*\*) Term: **15 Years**

(Continued)

(21) Appl. No.: **29/836,363**

*Primary Examiner* — Cynthia Ramirez

(22) Filed: **Apr. 26, 2022**

*Assistant Examiner* — Darcy Fabre

(30) **Foreign Application Priority Data**

Oct. 27, 2021 (FR) ..... 20214870

(74) *Attorney, Agent, or Firm* — Fross, Zelnick, Lehrman & Zissu, P.C.; Charles T. J. Weigell, Esq.

(51) **LOC (15) Cl.** ..... **03-01**

(57) **CLAIM**

The ornamental design for a perfume case as shown and described.

(52) **U.S. Cl.**

USPC ..... **D3/315**; D3/297; D3/901; D3/903

**DESCRIPTION**

(58) **Field of Classification Search**

USPC ..... D3/205, 226, 271.6, 274, 276, 284, 288,  
D3/291, 294, 295, 302, 315, 901, 903;  
D19/102, 106; D28/9, 73, 99

CPC ..... A45C 11/16; A45C 11/24; A45C 11/36;  
A45C 5/005

See application file for complete search history.

FIG. 1 is a front perspective view of a perfume case showing my new design;  
FIG. 2 is a front view thereof;  
FIG. 3 is a back view thereof;  
FIG. 4 is a left side view thereof;  
FIG. 5 is a right side view thereof;  
FIG. 6 is a top view thereof;  
FIG. 7 is a bottom view thereof;  
FIG. 8 is a front perspective view of the perfume case in FIG. 1, shown in an open position;  
FIG. 9 is a front view thereof;  
FIG. 10 is a back view thereof;  
FIG. 11 is a left side view thereof;  
FIG. 12 is a right side view thereof;  
FIG. 13 is a top view thereof; and,  
FIG. 14 is a bottom view thereof.

The broken lines in the drawings show portions of the perfume case which form no part of the claimed design.

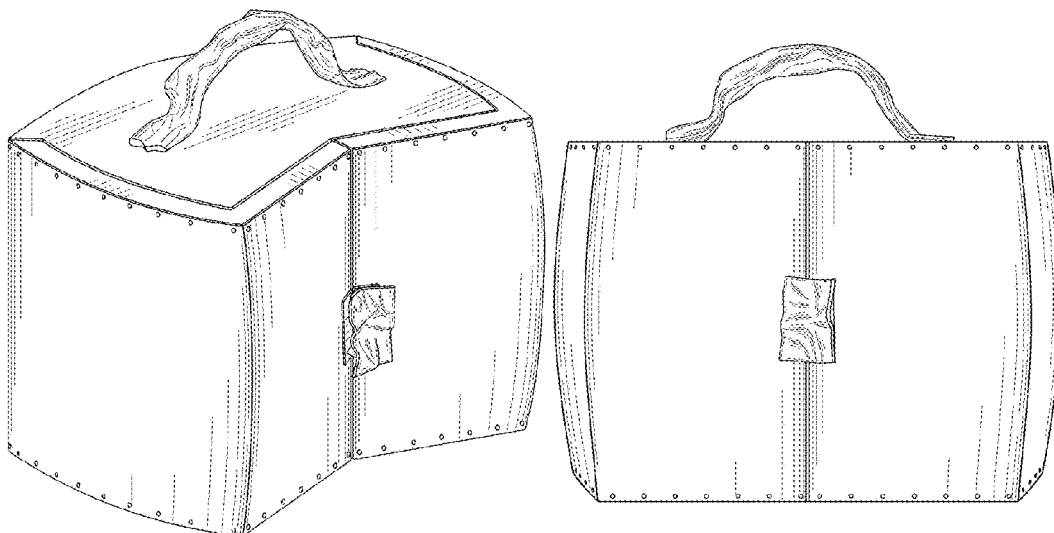
(56) **References Cited**

U.S. PATENT DOCUMENTS

4,002,236 A \* 1/1977 Tolleson ..... A45C 11/24  
124/31  
D361,430 S \* 8/1995 Mohundro ..... D6/671.1  
D688,006 S \* 8/2013 Lai ..... D3/901  
D690,055 S \* 9/2013 Chen ..... D3/901  
D752,290 S \* 3/2016 Beilman ..... D3/901  
D917,098 S \* 4/2021 Huang ..... D3/901  
D919,891 S \* 5/2021 Huang ..... D3/901  
D942,690 S \* 2/2022 Lindh ..... D3/273

(Continued)

**1 Claim, 14 Drawing Sheets**



(56)

**References Cited**

U.S. PATENT DOCUMENTS

D963,339	S *	9/2022	Cai .....	D3/903
D967,629	S *	10/2022	Wang .....	D3/901
D975,444	S *	1/2023	Wang .....	D3/901
D1,004,961	S *	11/2023	Xie .....	D3/901
D1,025,598	S *	5/2024	Wang .....	D3/297
2004/0188275	A1 *	9/2004	Wolf .....	A45C 11/16 206/6.1
2020/0100573	A1 *	4/2020	Ekelund .....	A45C 13/005

OTHER PUBLICATIONS

[Louis Vuitton Releases Frank Gehry Fragrance Collaboration], posted Oct. 7, 2021 [online], [retrieved Jan. 17, 2024]. Retrieved from internet, <https://mlangeleno.com/louis-vuitton-frank-gehry-fragrance-collaboration> (Year: 2021).\*

[Flaconnier High End], posted date unknown [online], [retrieved Jan. 17, 2024]. Retrieved from internet, <https://us.louisvuitton.com/eng-US/products/flaconnier-high-end-monogram-nvprod3190131v/M10070> (Year: 2024).\*

[Frank Gehry Uncaps a New Design With Louis Vuitton], posted Jan. 7, 2021 [online], [retrieved Jan. 17, 2024]. Retrieved from internet, <https://www.elledecor.com/life-culture/a37888182/frank-gehry-louis-vuitton-perfume-bottle/> (Year: 2021).\*

[Louis vuitton les-extraits: frank gehry starts from the marc newson designed perfume bottle . . . ], posted Sep. 27, 2021 [online], [retrieved Jan. 17, 2024]. Retrieved from internet, <https://www.designboom.com/design/louis-vuitton-les-extraits-frank-gehry-marc-newson-perfume-bottle-twist-09-27-2021/> (Year: 2021).\*

[Les Parfums Louis Vuitton presents . . . ], posted Jan. 8, 2021 [online], [retrieved Jan. 17, 2024]. Retrieved from internet, <https://www.thebeautyinfluencers.com/2021/10/08/les-parfums-louis-vuitton-presents-les-extraits-collection-in-collaboration-with-architect-frank-gehry/> (Year: 2021).\*

\* cited by examiner

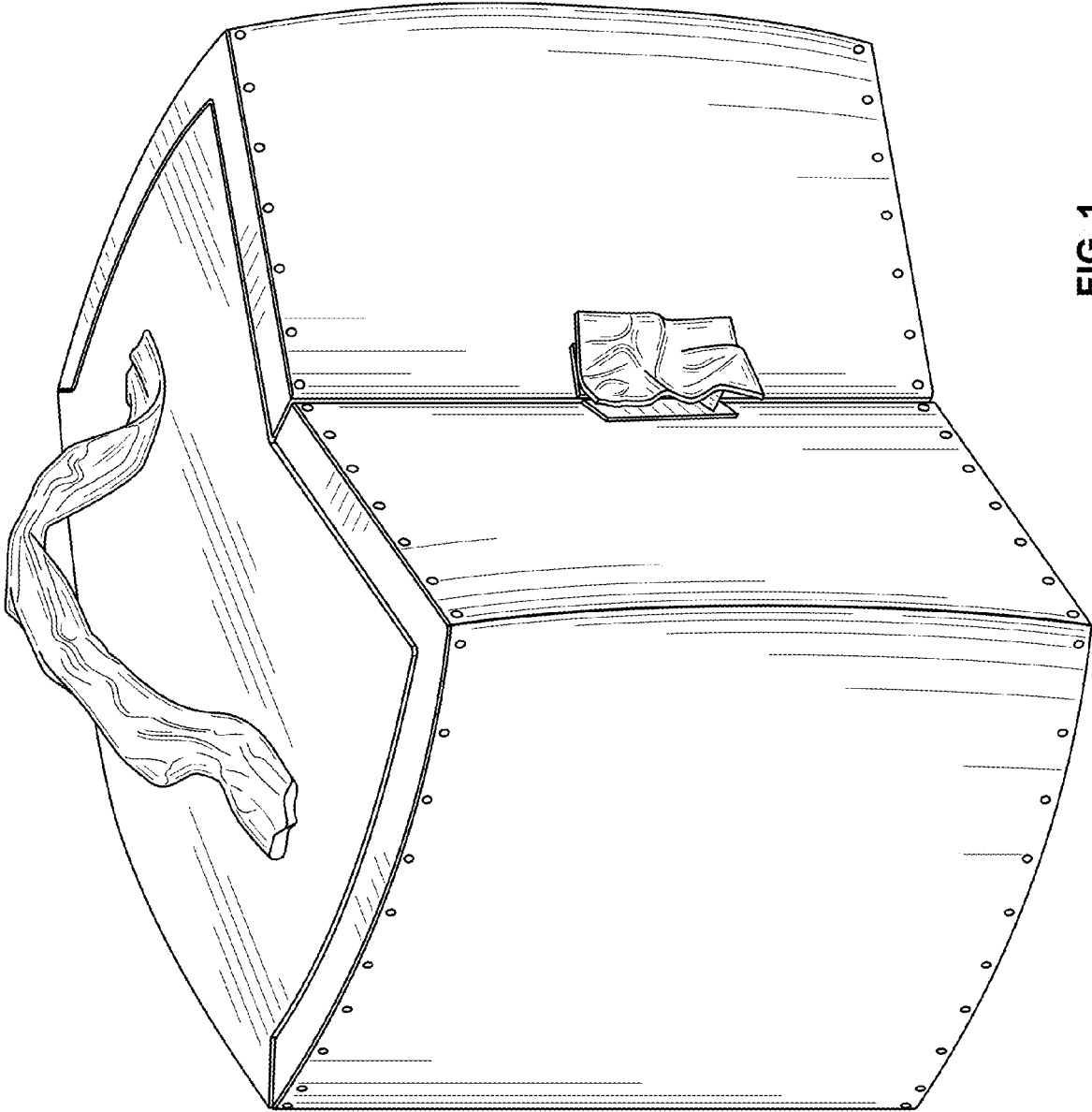


FIG. 1

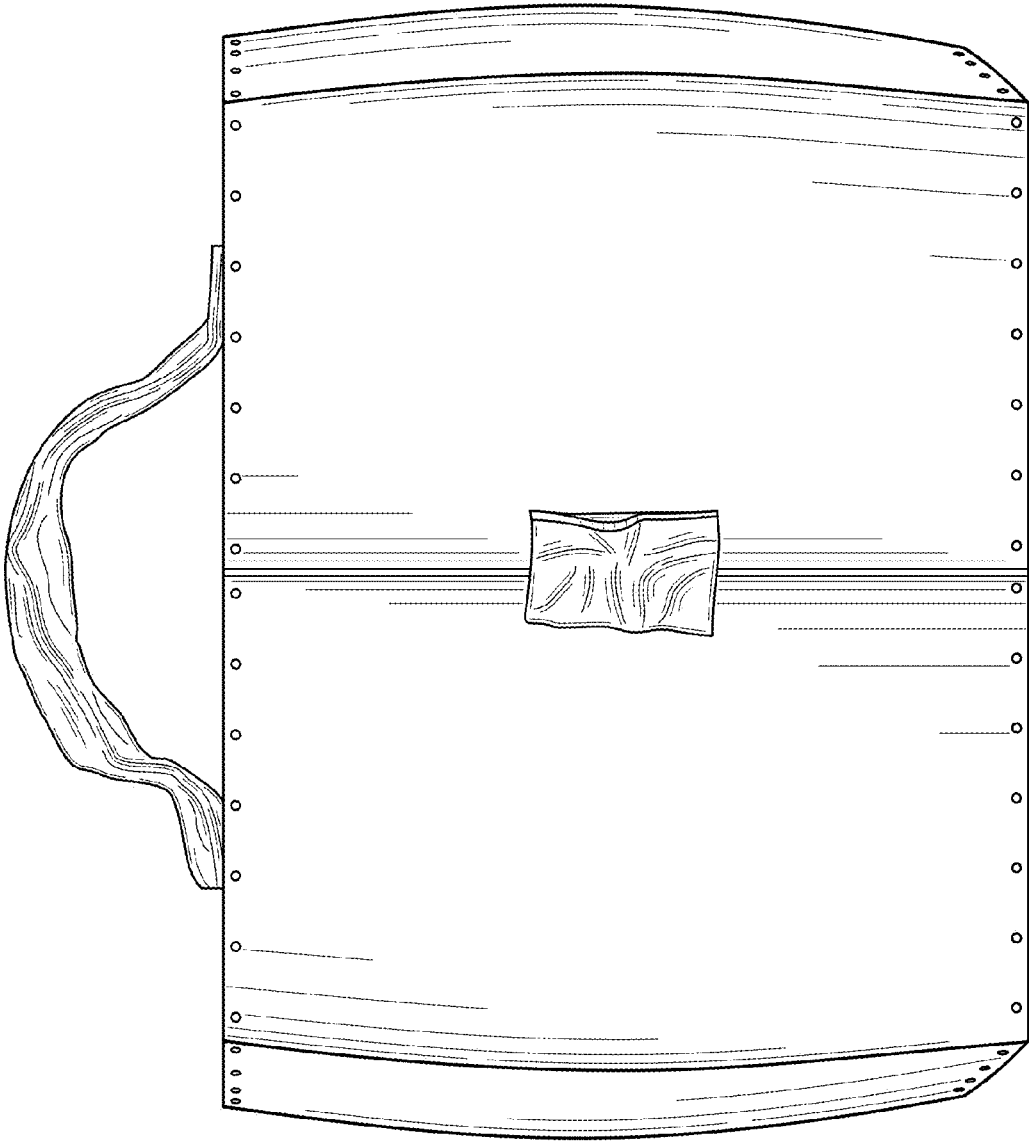


FIG. 2

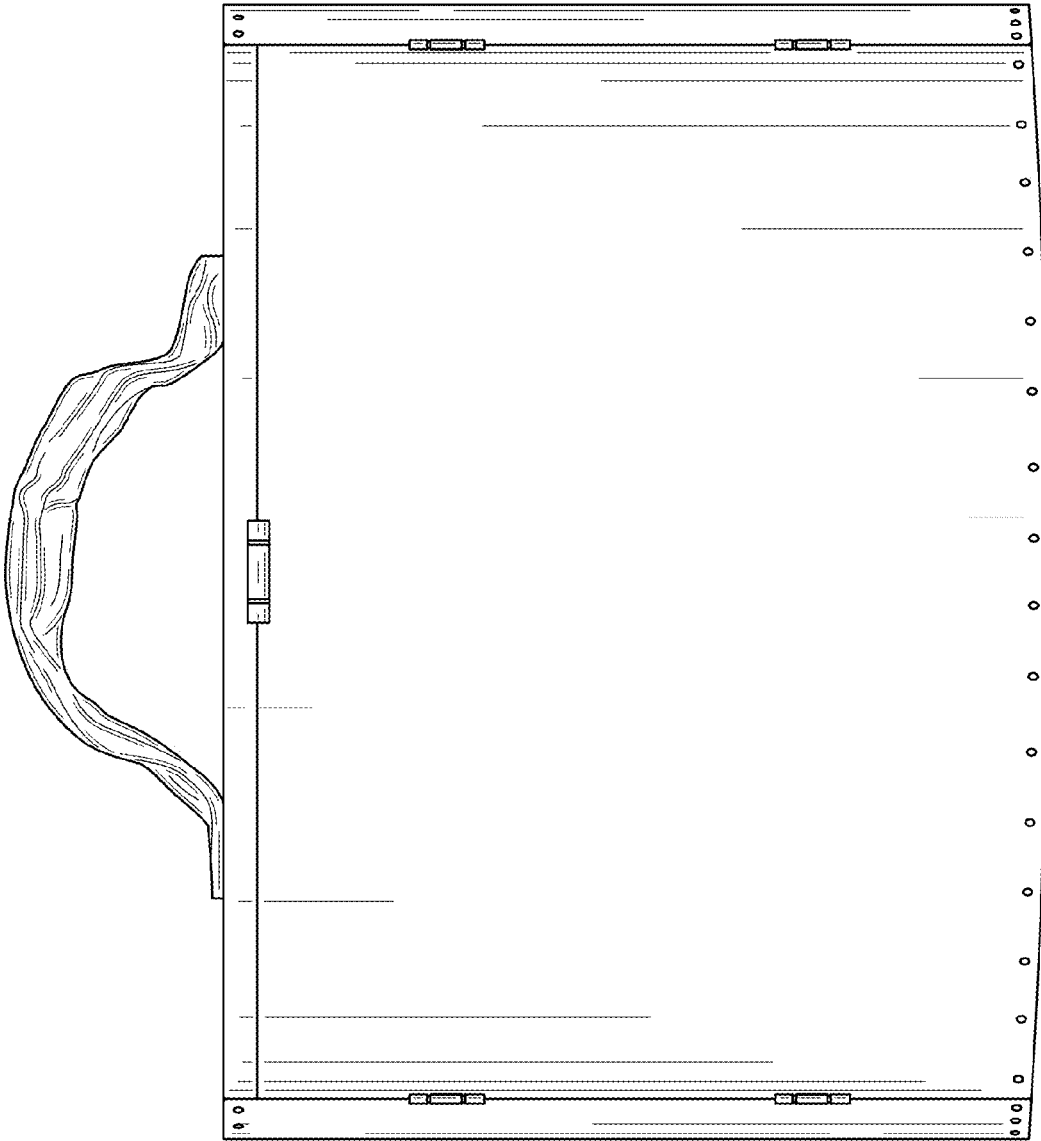


FIG. 3

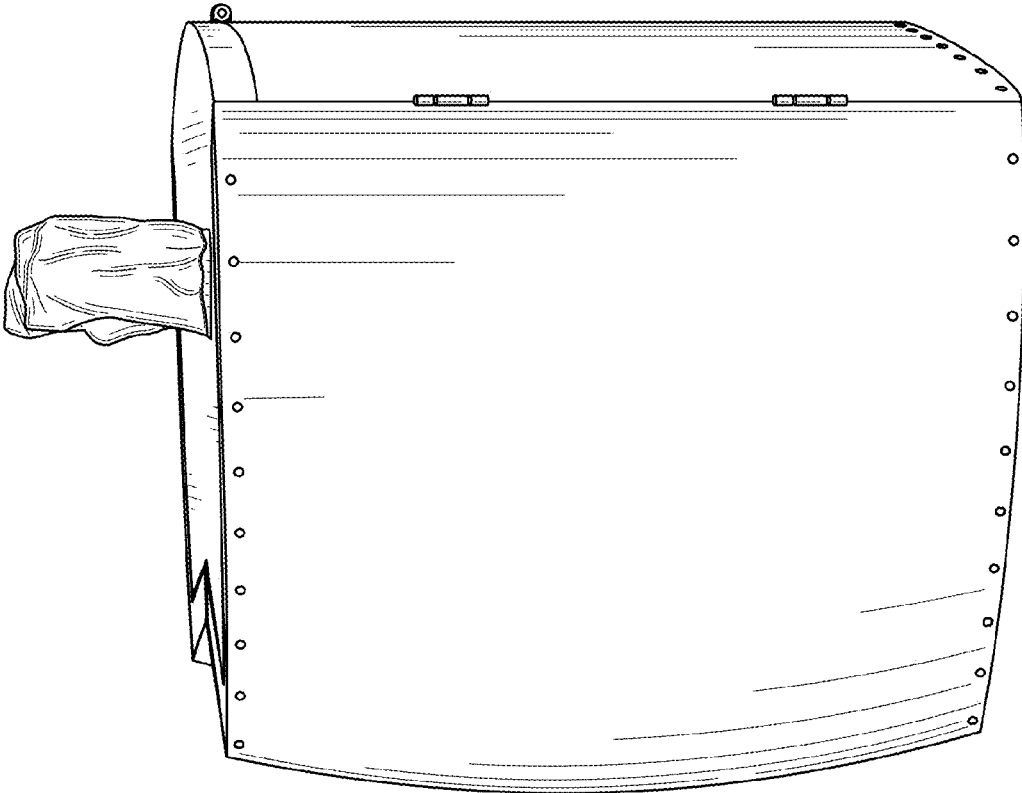


FIG. 4

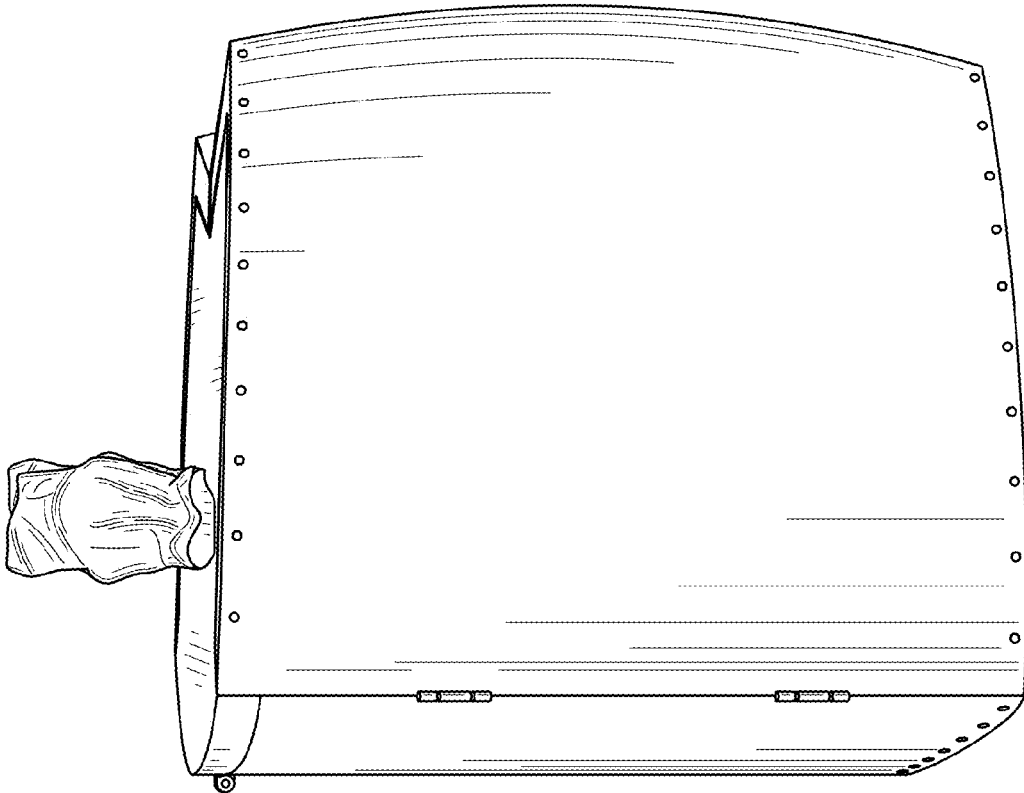


FIG. 5

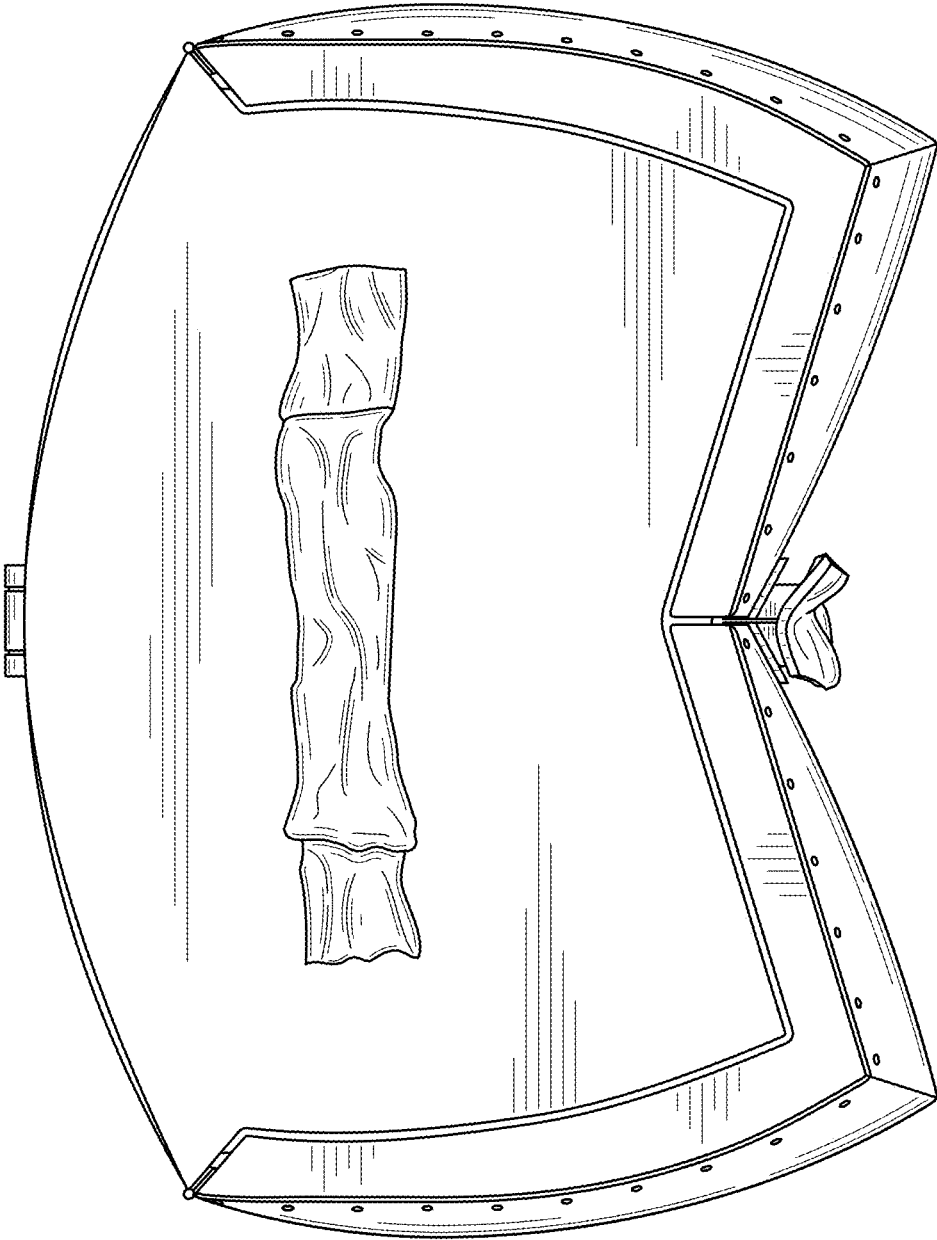


FIG. 6

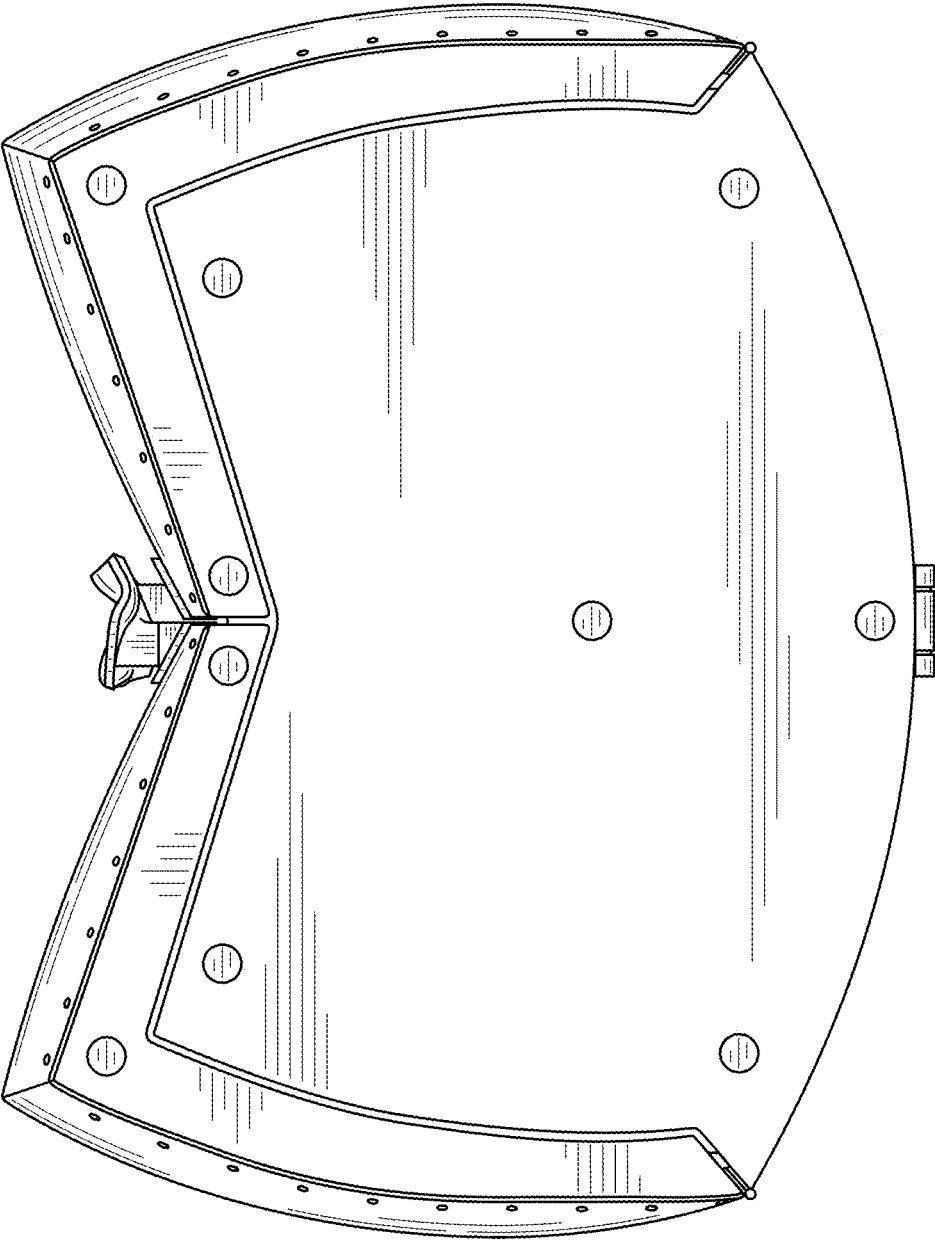


FIG. 7

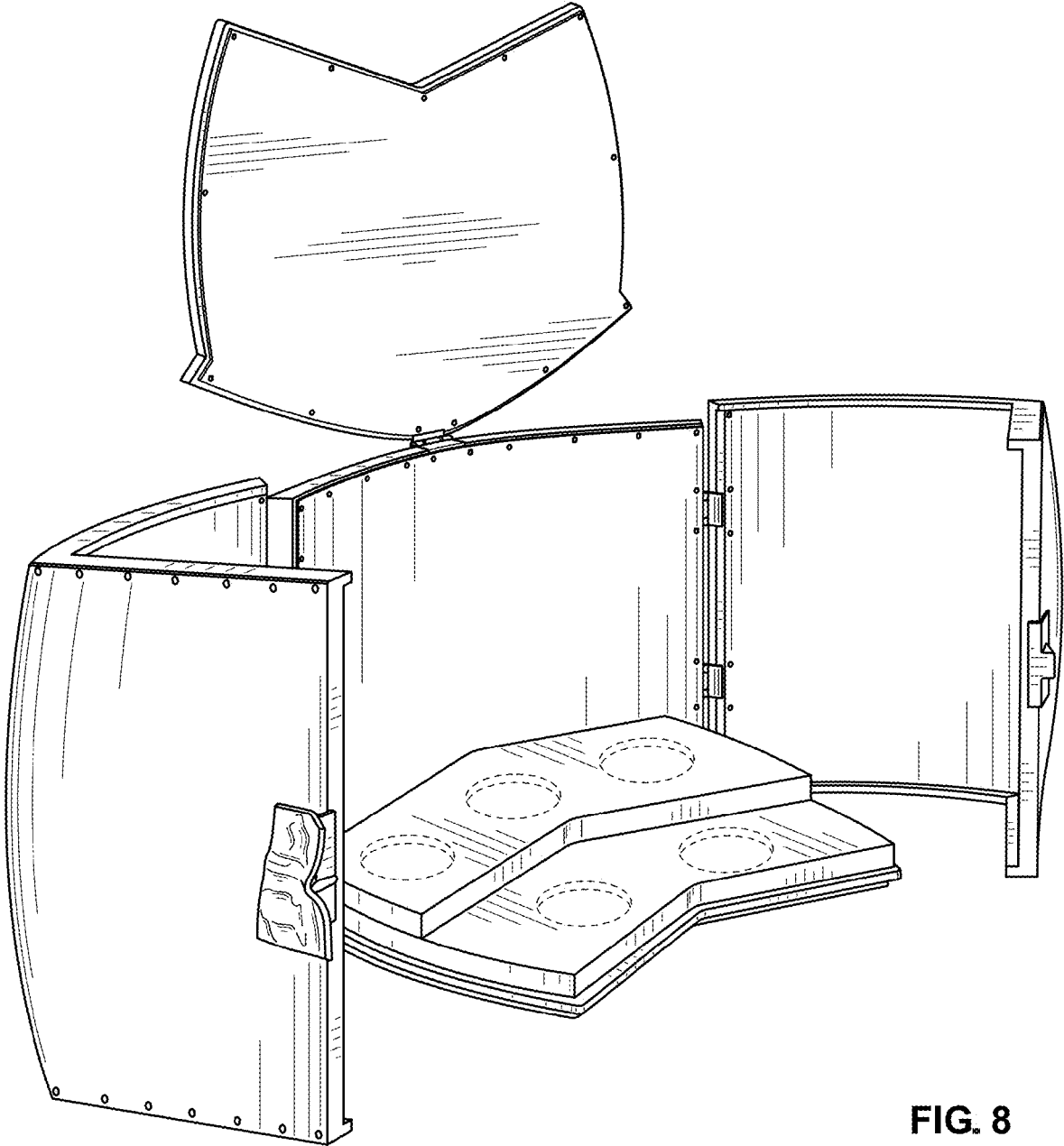


FIG. 8

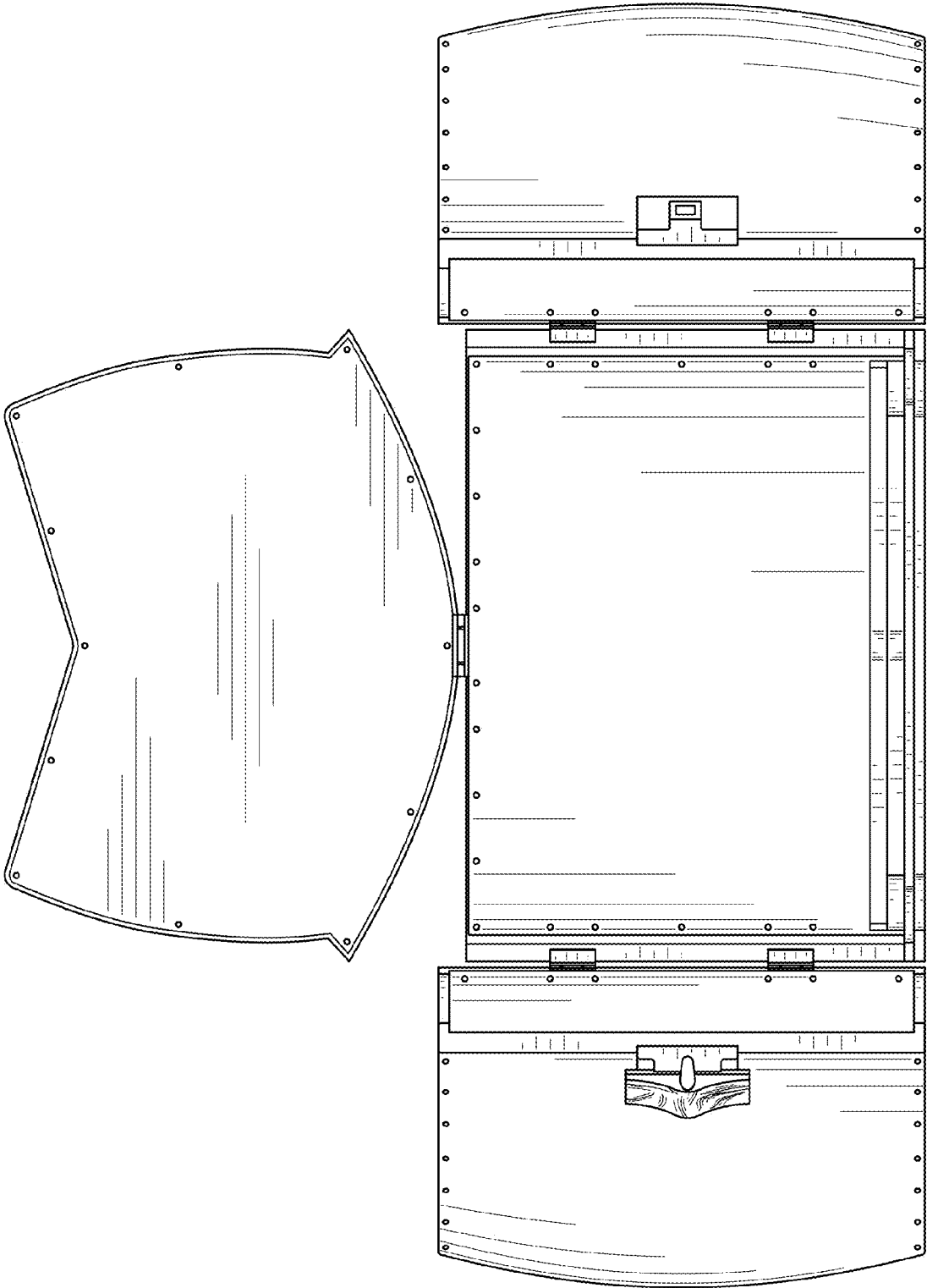


FIG. 9

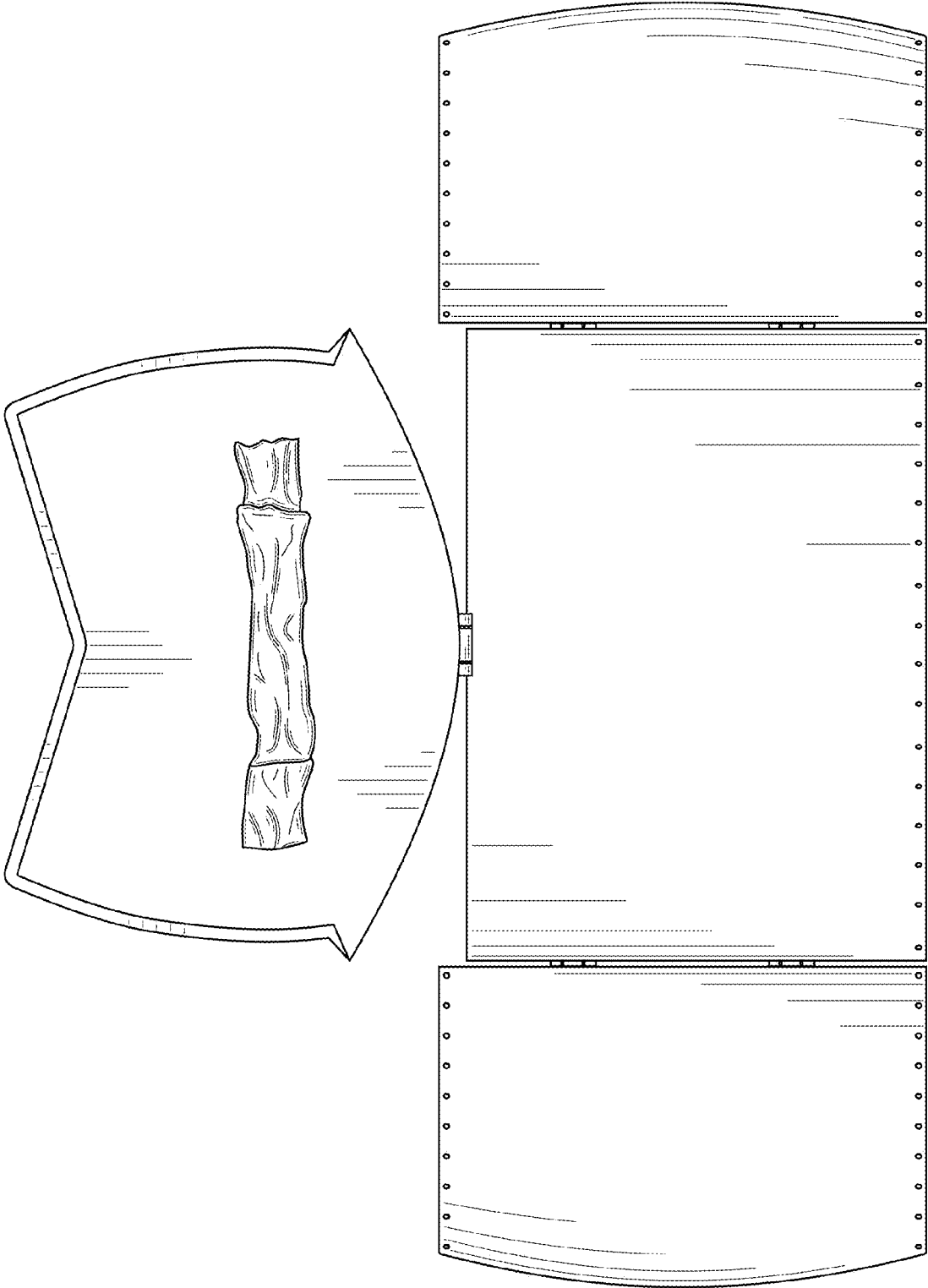


FIG. 10

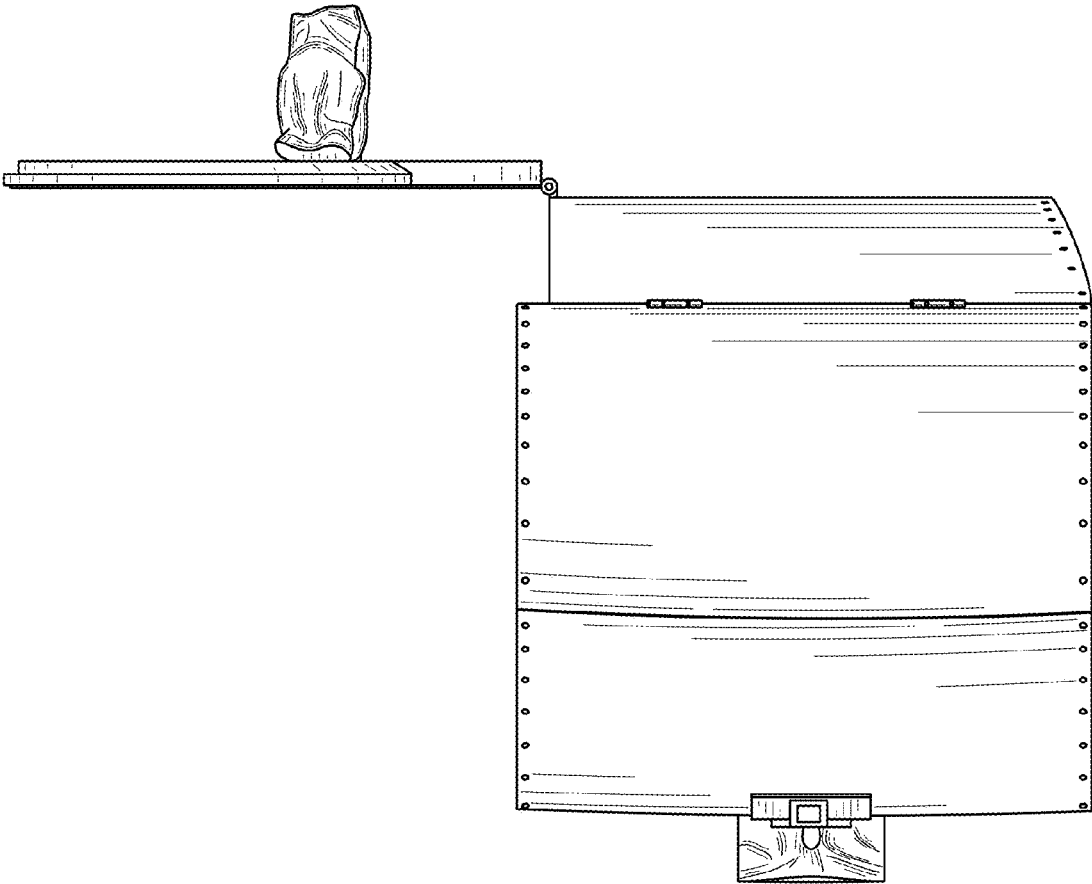


FIG. 11

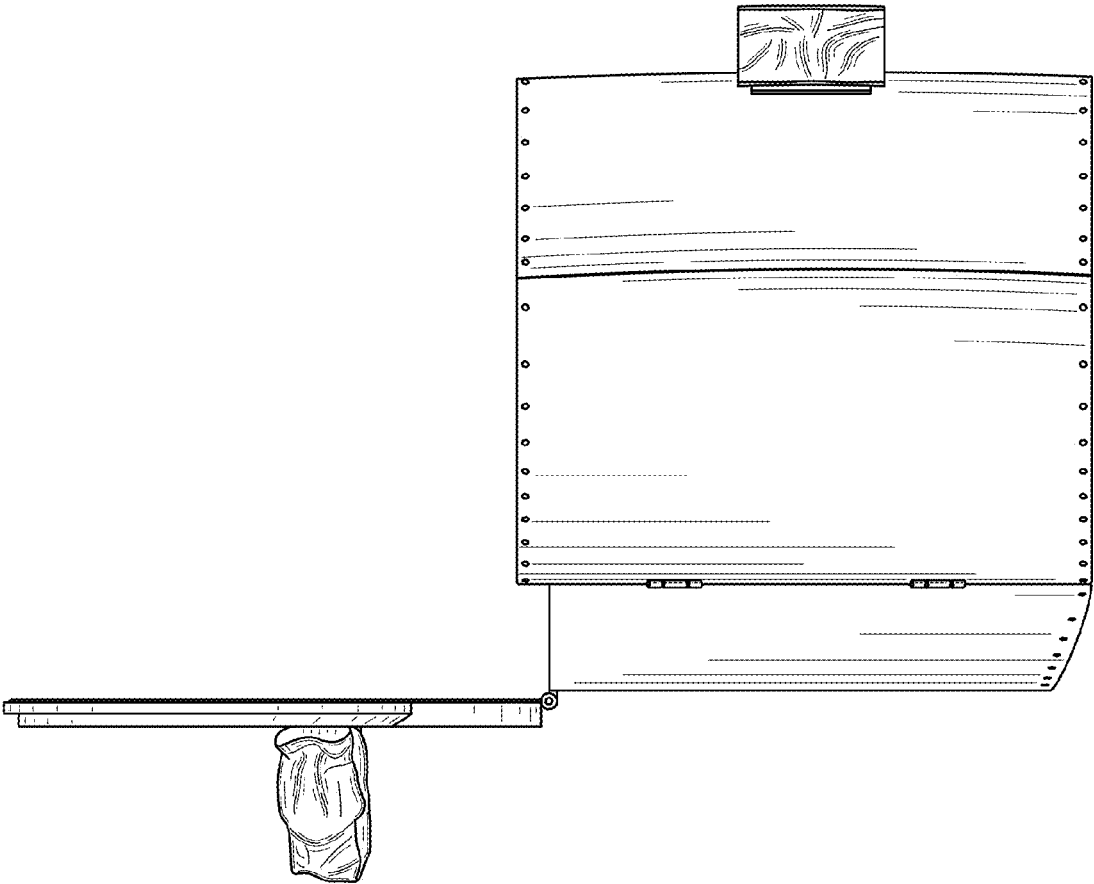


FIG. 12

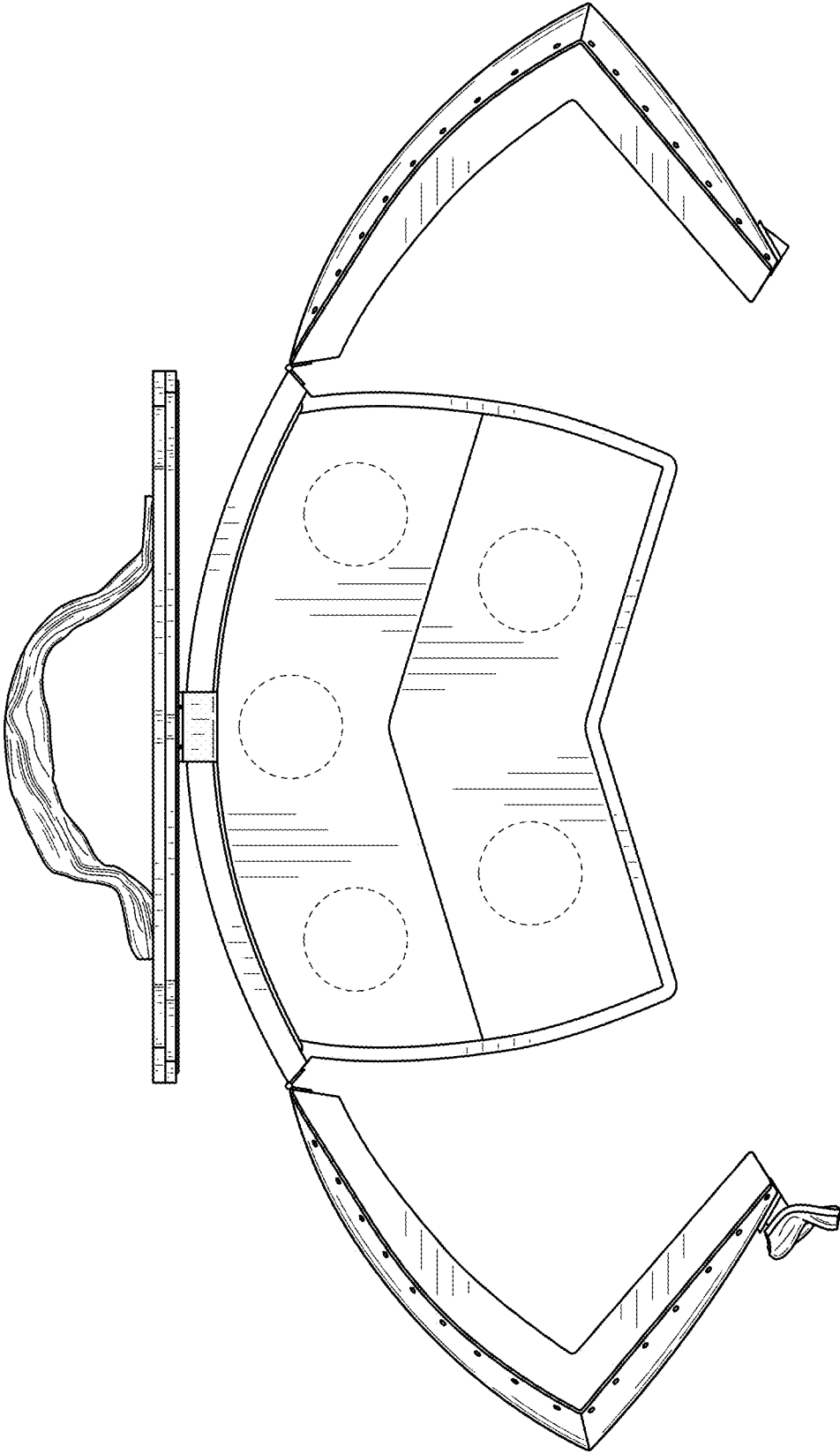


FIG. 13

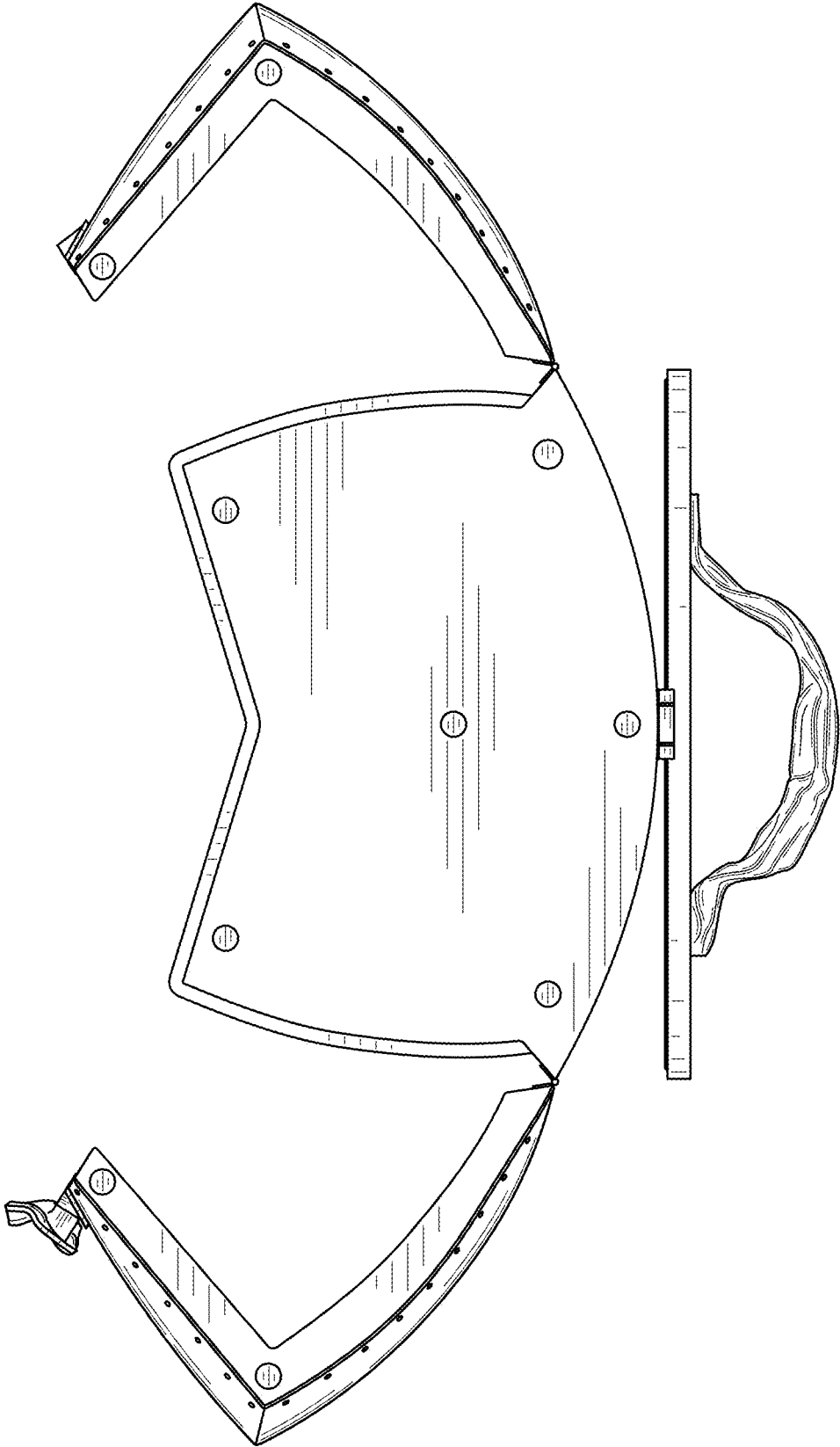


FIG. 14