



US00D333782S

# United States Patent [19] van Berlo

[11] Patent Number: Des. 333,782  
[45] Date of Patent: \*\* Mar. 9, 1993

- [54] OVEN
- [75] Inventor: **Adrianus A. J. van Berlo**, Eindhoven, Netherlands
- [73] Assignee: **Fri-Jado B.V.**, Netherlands
- [\*\*] Term: **14 Years**
- [21] Appl. No.: **659,188**
- [22] Filed: **Feb. 21, 1991**
- [30] Foreign Application Priority Data

- Aug. 23, 1990 [IB] Int'l Pat. Institute ..... DM/017453
- [52] U.S. Cl. .... D7/350
- [58] Field of Search ..... D7/338, 339, 347-351; 126/19 M, 20, 20.1, 21 A, 273 R, 273 A, 273.5, 274, 275 R, 275 E; 219/386, 391, 400-402, 405, 412, 10.55 R, 10.55 A, 10.55 B, 10.55 C, 10.55 D, 10.55 F; 99/419

- [56] **References Cited**
- U.S. PATENT DOCUMENTS**
- D. 232,800 9/1974 Suganoya et al. .... D7/351
- D. 234,667 4/1975 Linder ..... D7/351
- D. 235,408 6/1975 Suganoya et al. .... D7/351

- D. 236,792 9/1975 Miyake ..... D7/351
- D. 292,863 11/1987 Johansson ..... D7/338
- 4,781,109 11/1988 Wieke, Jr. et al. .... 99/467

### FOREIGN PATENT DOCUMENTS

50037 8/1982 Canada .

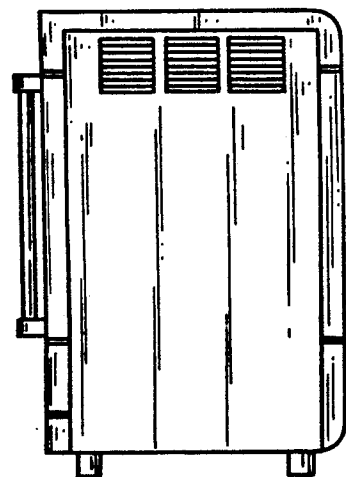
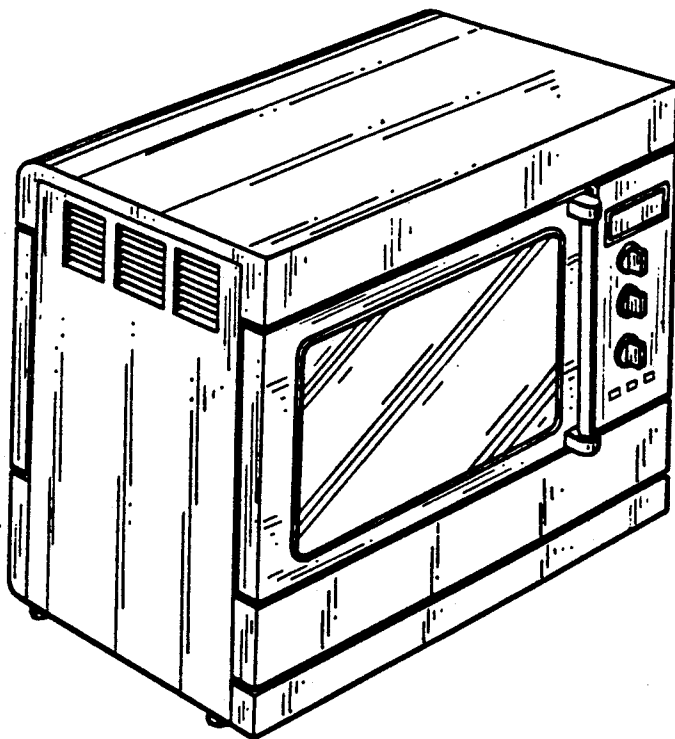
*Primary Examiner*—Louis S. Zarfaz  
*Assistant Examiner*—Ruth McInroy  
*Attorney, Agent, or Firm*—Ostrolenk, Faber, Gerb & Soffen

### [57] CLAIM

The ornamental design for an oven, as shown.

### DESCRIPTION

FIG. 1 is a top, front and left side perspective view of a oven showing my new design;  
 FIG. 2 is a top, rear and left side perspective view thereof;  
 FIG. 3 is a top plan view thereof;  
 FIG. 4 is a front elevational view thereof;  
 FIG. 5 is a bottom plan view thereof;  
 FIG. 6 is a right side elevational view thereof;  
 FIG. 7 is a rear elevational view thereof; and,  
 FIG. 8 is a left side elevational view thereof.



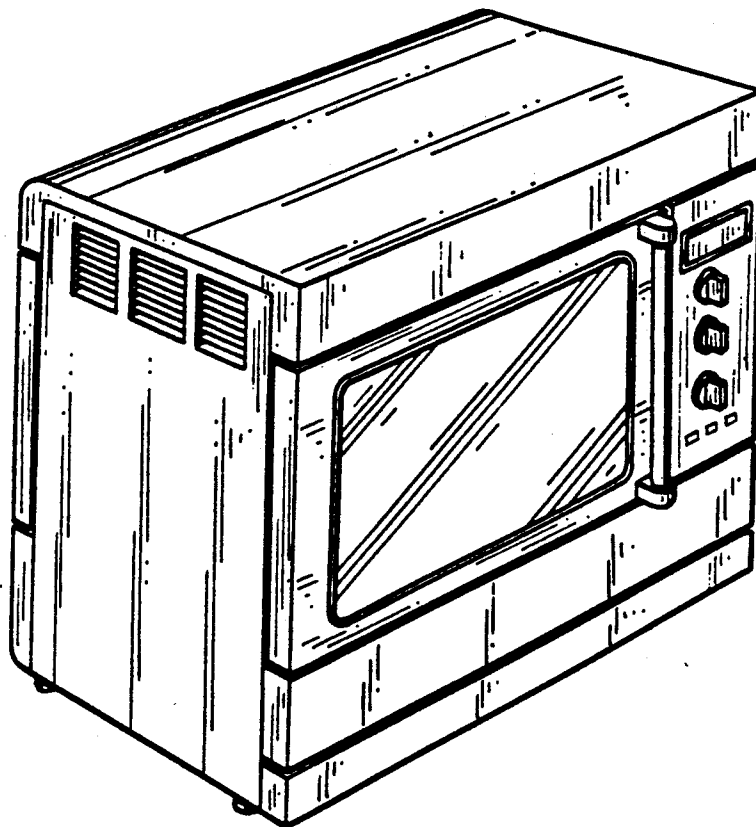
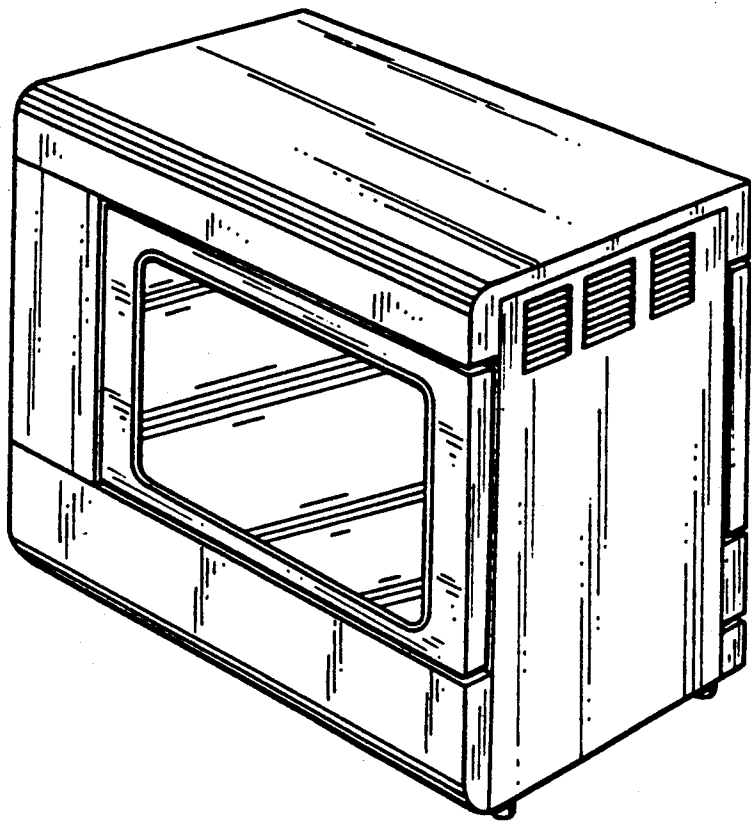
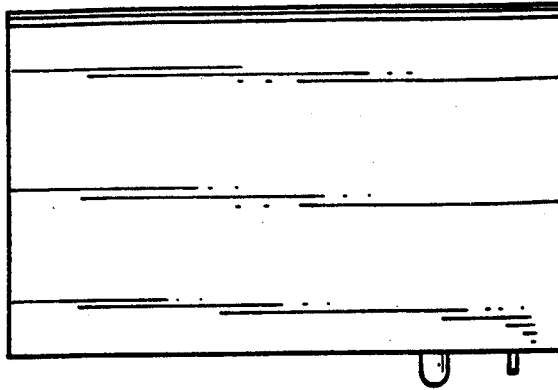


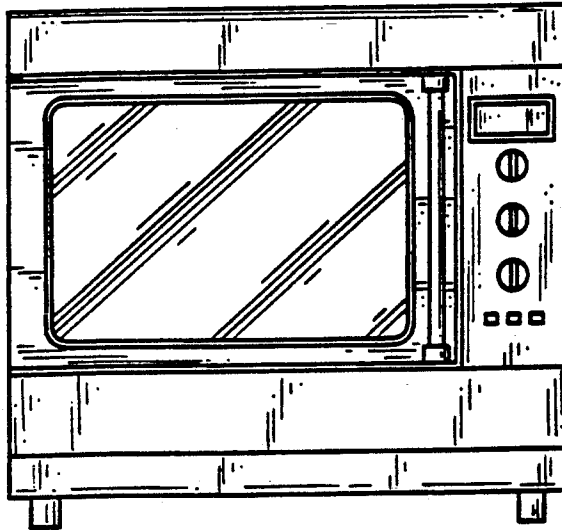
FIG. 1.



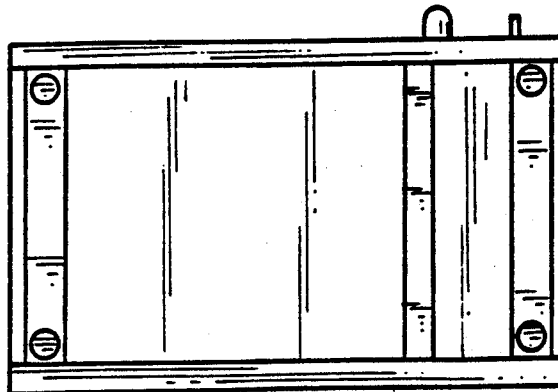
**FIG. 2.**



**FIG. 3.**



**FIG. 4.**



**FIG. 5.**

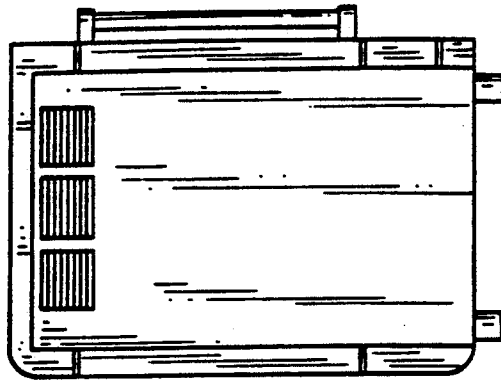


Fig. 8.

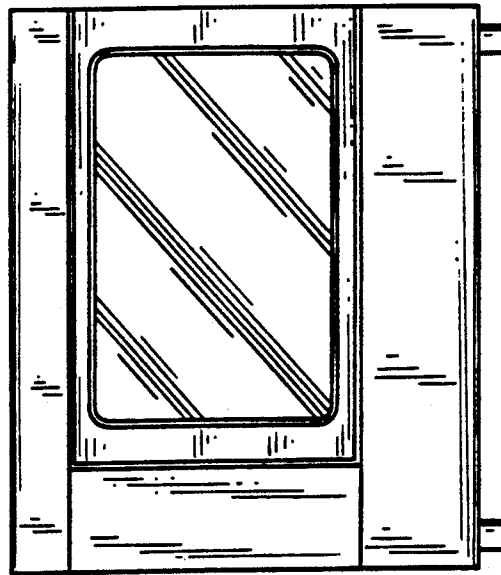


Fig. 7.

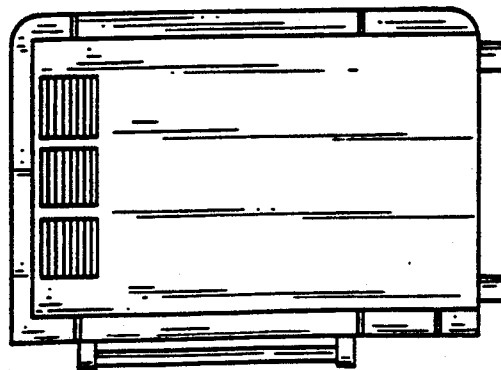


Fig. 6.