



US00D696402S

(12) **United States Design Patent**
Oi

(10) **Patent No.:** **US D696,402 S**

(45) **Date of Patent:** **** Dec. 24, 2013**

- (54) **INTERVERTEBRAL IMPLANT**
- (71) Applicant: **NuVasive, Inc.**, San Diego, CA (US)
- (72) Inventor: **Nelson Oi**, San Diego, CA (US)
- (73) Assignee: **NuVasive, Inc.**, San Diego, CA (US)
- (**) Term: **14 Years**
- (21) Appl. No.: **29/444,346**
- (22) Filed: **Jan. 29, 2013**

- D621,509 S * 8/2010 Lovell D24/155
- D625,820 S * 10/2010 Calverley et al. D24/155
- D629,104 S * 12/2010 Calverley et al. D24/155
- D671,645 S * 11/2012 Curran et al. D24/155
- D674,092 S * 1/2013 Lovell D24/155

* cited by examiner

Primary Examiner — Ian Simmons

Assistant Examiner — Charles Hanson

(74) *Attorney, Agent, or Firm* — Jonathan Spangler; Jennifer Russell

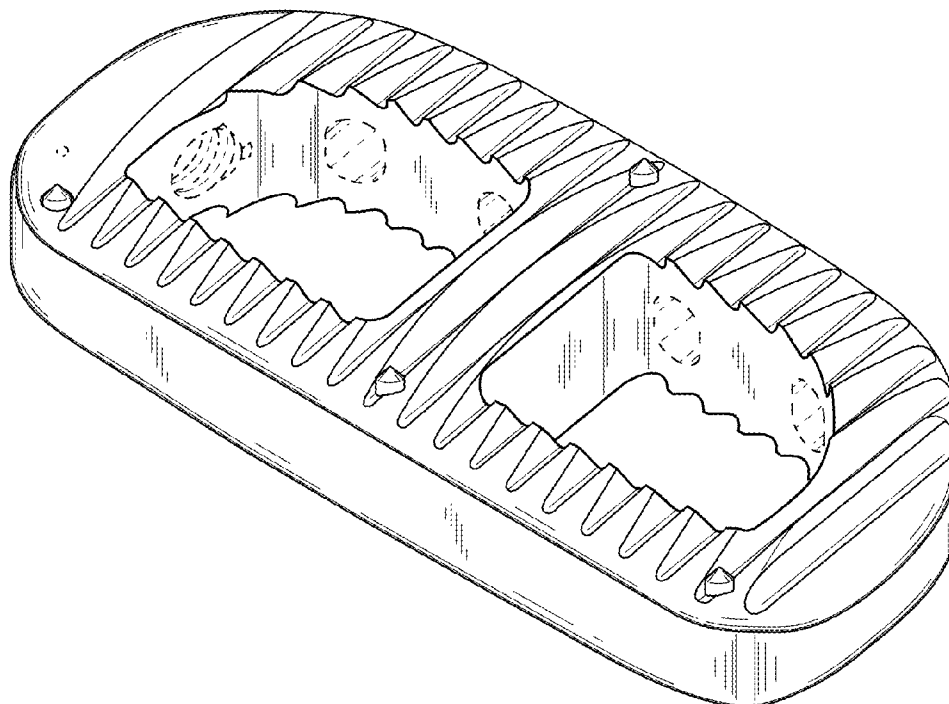
- Related U.S. Application Data**
- (63) Continuation of application No. 29/405,583, filed on Nov. 3, 2011, now Pat. No. Des. 675,320.
- (51) **LOC (9) Cl.** **24-02**
- (52) **U.S. Cl.**
USPC **D24/155**
- (58) **Field of Classification Search**
USPC D24/155, 133; 623/17.11, 17.15, 17.16,
623/17.12; 606/90, 86 A
See application file for complete search history.

(57) **CLAIM**
The ornamental design for an intervertebral implant, substantially as shown and described.

- (56) **References Cited**
U.S. PATENT DOCUMENTS
D594,986 S * 6/2009 Miles et al. D24/155
D599,019 S * 8/2009 Pimenta et al. D24/155

DESCRIPTION
FIG. 1 is a perspective view of an intervertebral implant showing our new design;
FIG. 2 is a first side view thereof;
FIG. 3 is a second side view thereof;
FIG. 4 is a first end view thereof;
FIG. 5 is a second end view thereof;
FIG. 6 is a top view thereof; and,
FIG. 7 is a bottom view thereof.
The broken line showing is included for the purpose of illustrating environment and forms no part of the claimed design.

1 Claim, 3 Drawing Sheets



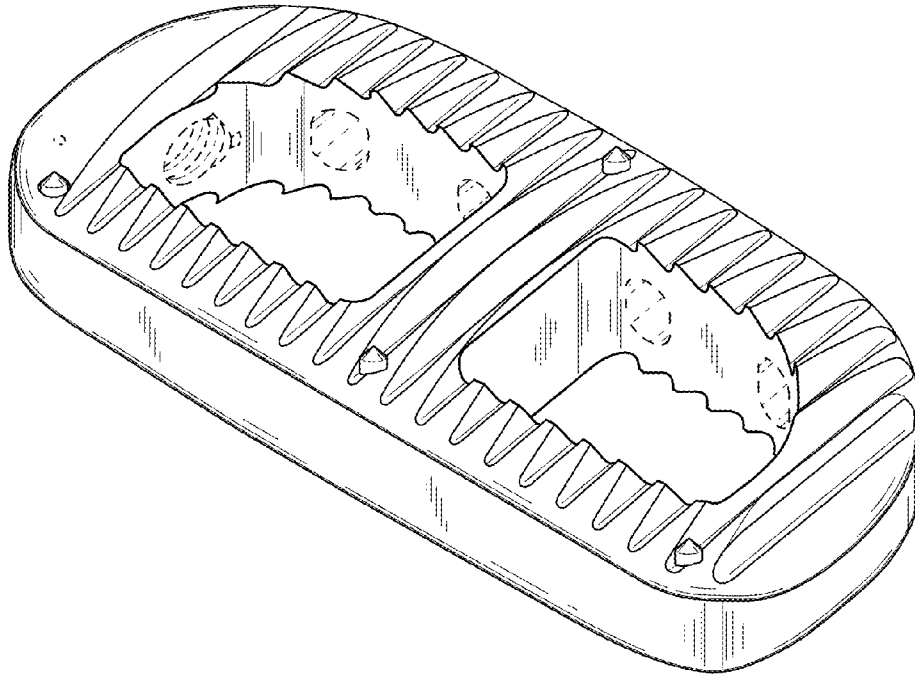


FIG. 1

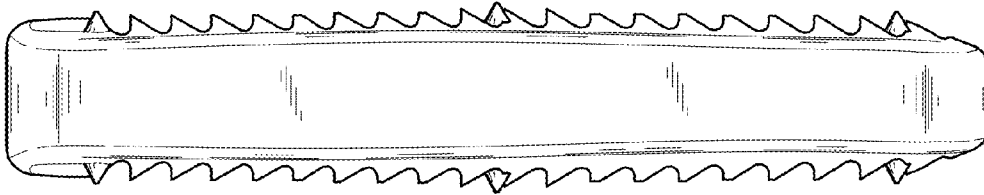


FIG. 2

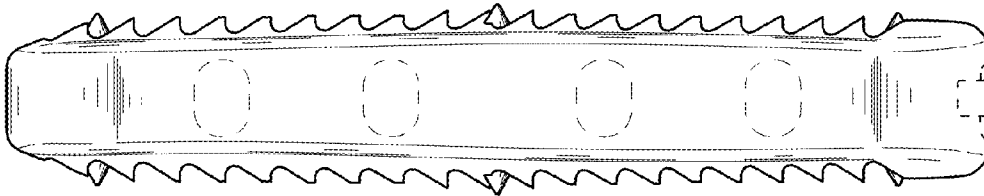


FIG. 3

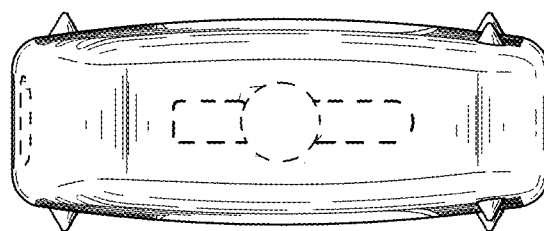


FIG. 4

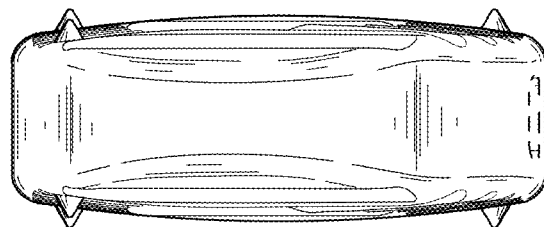


FIG. 5

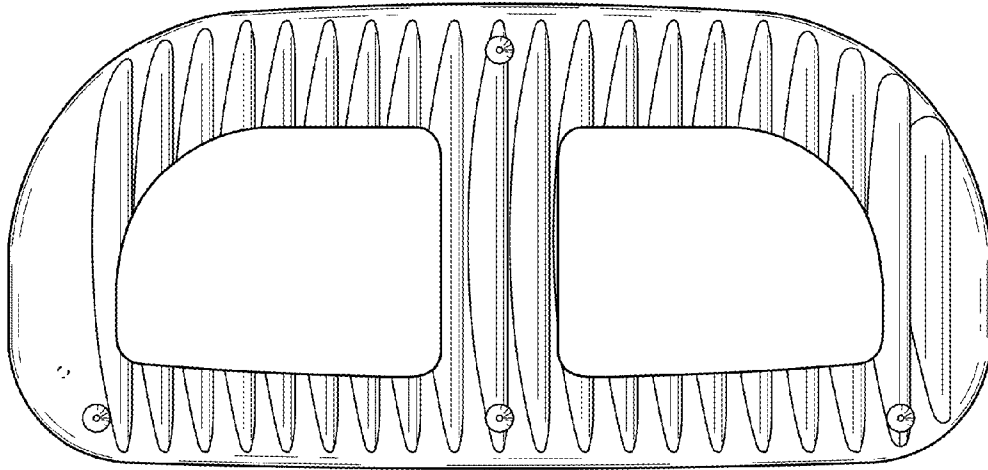


FIG. 6

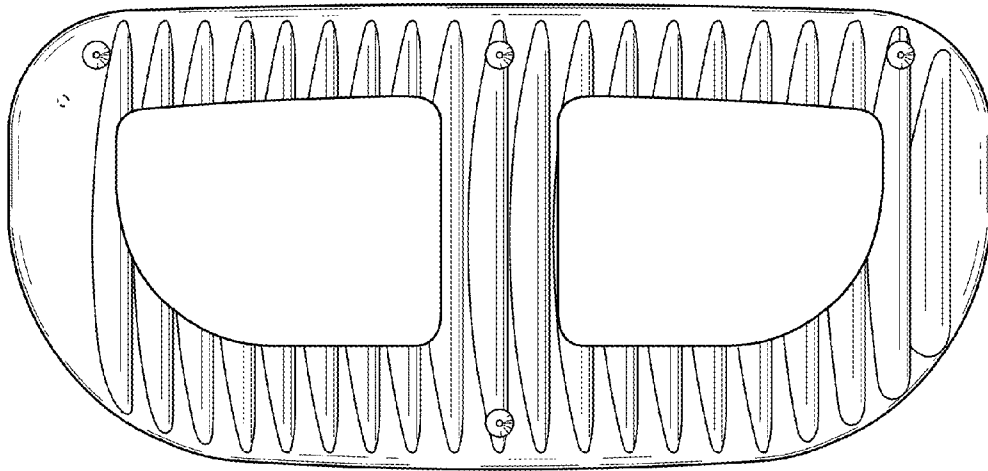


FIG. 7