



US00D500069S

(12) **United States Design Patent** (10) **Patent No.:** **US D500,069 S**
Hayashi (45) **Date of Patent:** **** Dec. 21, 2004**

(54) **COMBINED VIDEO CAMERA, VIDEO TAPE RECORDER AND STORAGE MEDIUM PLAYER/RECORDER**

Web page "GR-DVP9", 1 sheet, Yodobashi camera (Dec. 2003).

Web page "ITCAM-5", 1 sheet, SamSung (Dec. 2003).

Web page "VP-D230", 1 sheet, SumSung (Dec. 2003).

(75) Inventor: **Haruo Hayashi**, Tokyo (JP)

* cited by examiner

(73) Assignee: **Sony Corporation**, Tokyo (JP)

Primary Examiner—Adir Aronovich

(**) Term: **14 Years**

(74) *Attorney, Agent, or Firm*—Rader, Fishman & Grauer PLLC

(21) Appl. No.: **29/199,027**

(22) Filed: **Feb. 10, 2004**

(51) **LOC (7) Cl.** **16-05**

(57) **CLAIM**

(52) **U.S. Cl.** **D16/219; D16/202**

The ornamental design for a combined video camera, video tape recorder and storage medium player/recorder, as shown and described.

(58) **Field of Search** **D16/200–206, D16/208, 218, 219; 348/373–376; 358/906, 909.1; 396/535–541**

DESCRIPTION

(56) **References Cited**

U.S. PATENT DOCUMENTS

D394,273	S	5/1998	Ishii	
D401,256	S	11/1998	Harata	
D407,097	S	* 3/1999	Suzuki et al.	D16/202
D410,662	S	6/1999	Harata	
D429,267	S	* 8/2000	Sumita et al.	D16/202
D435,575	S	12/2000	Kanatani	
6,445,417	B1	* 9/2002	Yoshida et al.	348/374
D476,023	S	* 6/2003	Sumita	D16/202
D484,166	S	* 12/2003	Senda	D16/219
D486,172	S	* 2/2004	Senda	D16/219
D488,495	S	* 4/2004	Shimizu	D16/202

OTHER PUBLICATIONS

Web page "DCR-PC105K", 1 sheet, Sony (Dec. 2003).
Web page "DCR-IP1K", 1 sheet, Sony (Dec. 2003).
Web page "IXY-DVM2KIT" 1 sheet, Yodobashi Camera (Dec. 2003).

FIG. 1 is a perspective view of a combined video camera, video tape recorder and storage medium player/recorder showing my new design;

FIG. 2 is a front elevational view thereof;

FIG. 3 is a rear elevational view thereof;

FIG. 4 is a left side elevational view thereof;

FIG. 5 is a right side elevational view thereof;

FIG. 6 is a top plan view thereof; and,

FIG. 7 is a bottom plan view thereof.

Portions of FIGS. 1–7 that are shown as broken lines are for illustrative purpose only and form no part of the claimed design.

1 Claim, 4 Drawing Sheets

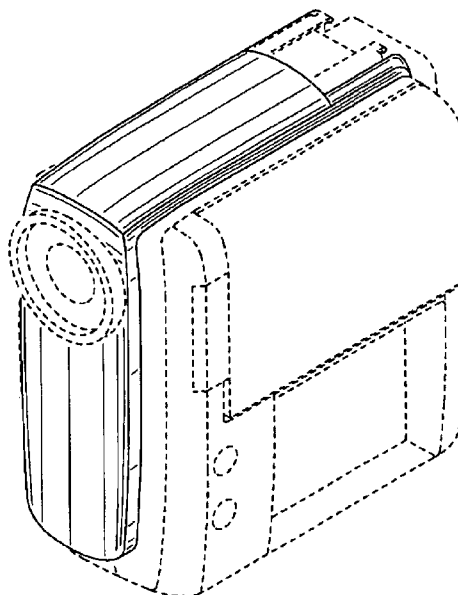


Fig. 1

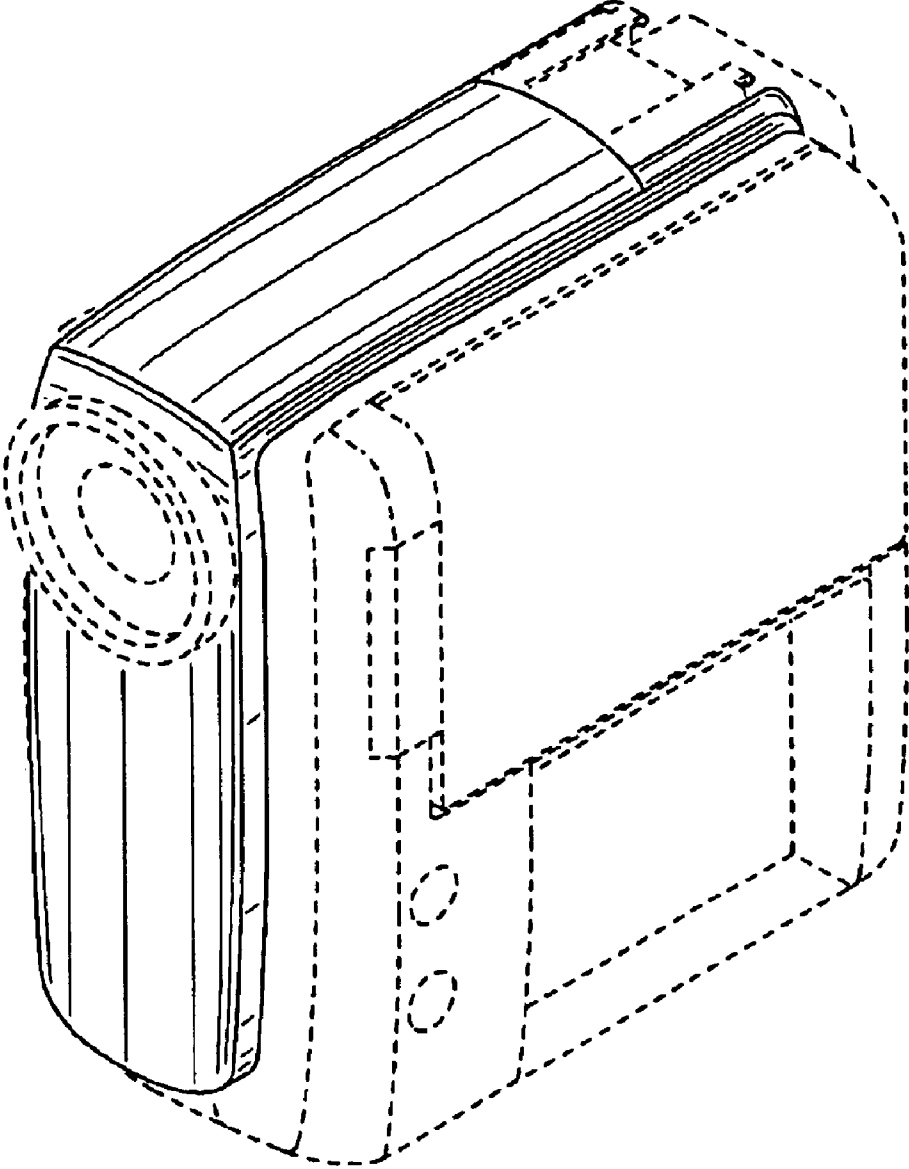


Fig.2

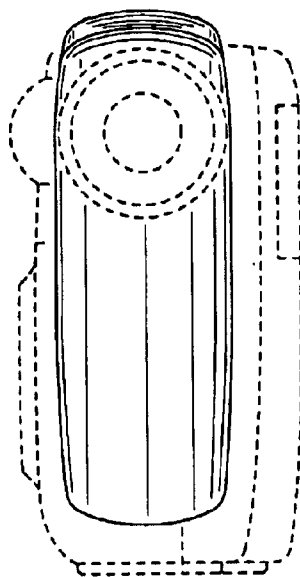


Fig.3

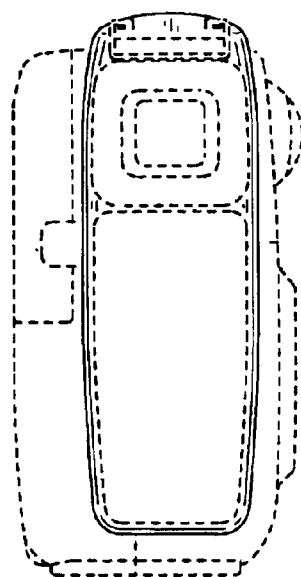


Fig.4

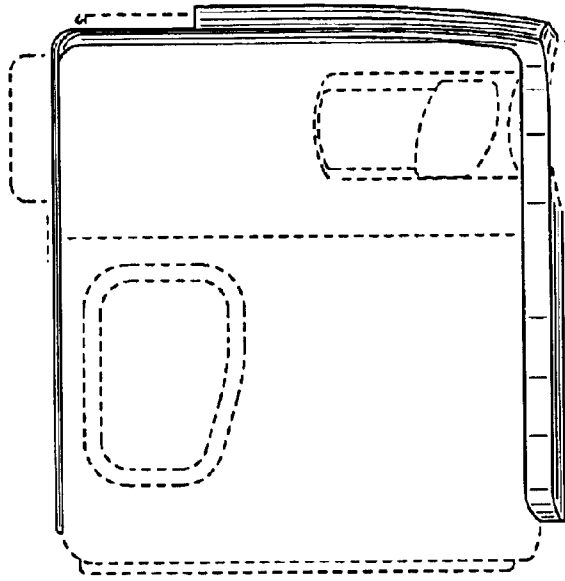


Fig.5

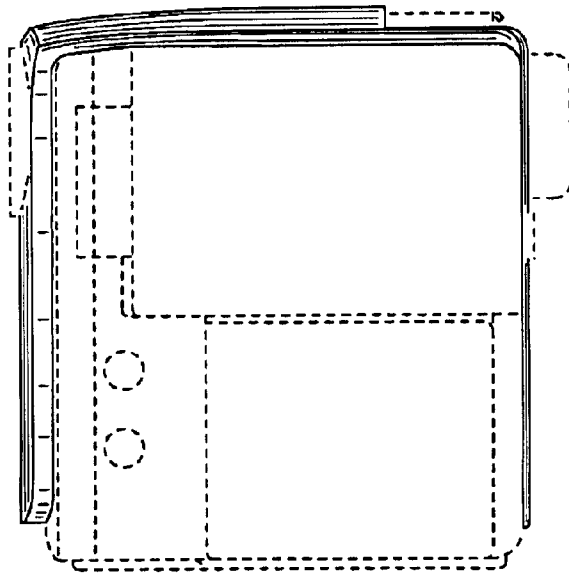


Fig.6

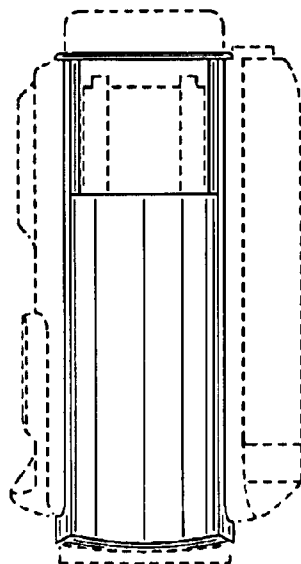


Fig.7

