



US00D644253S

(12) **United States Design Patent**  
**Donadon**

(10) **Patent No.:** **US D644,253 S**

(45) **Date of Patent:** **\*\* Aug. 30, 2011**

(54) **SOWING MACHINE**

(75) Inventor: **Gianfranco Donadon**, Campodarsego (IT)

(73) Assignee: **Maschio Gaspardo S.p.A.**, Campodarsego (IT)

(\*\*) Term: **14 Years**

(21) Appl. No.: **29/336,968**

(22) Filed: **May 13, 2009**

(30) **Foreign Application Priority Data**

Nov. 13, 2008 (EM) ..... 001037998

(51) **LOC (9) Cl.** ..... **15-03**

(52) **U.S. Cl.** ..... **D15/10**

(58) **Field of Classification Search** ..... D15/10-13,  
D15/27, 28; 172/538, 518, 29; 111/157,  
111/170, 900, 149, 139, 140, 924

See application file for complete search history.

(56) **References Cited**

**U.S. PATENT DOCUMENTS**

4,070,974	A *	1/1978	Stacy, Jr.	111/169
5,158,411	A *	10/1992	Kemmer	111/131
5,333,559	A *	8/1994	Hodapp et al.	111/152
5,396,851	A *	3/1995	Beaujot	111/187
5,413,056	A *	5/1995	Freed et al.	111/139
5,429,195	A *	7/1995	Turnis	172/311
5,517,932	A *	5/1996	Ott et al.	111/193
5,524,558	A *	6/1996	Pierzchalski et al.	111/170
5,535,688	A *	7/1996	Kaufman	111/52
6,032,593	A *	3/2000	Wendling et al.	111/187

6,325,156	B1 *	12/2001	Barry	172/518
D469,782	S *	2/2003	Paluch et al.	D15/10
D469,783	S *	2/2003	Paluch	D15/10
6,776,108	B2 *	8/2004	Crabb et al.	111/185
6,843,186	B2 *	1/2005	Shoup	111/59
7,152,539	B2 *	12/2006	Swanson	111/119
7,168,376	B2 *	1/2007	Johnston	111/167
7,255,050	B2 *	8/2007	Johannaber et al.	111/185
D559,868	S *	1/2008	Nanlawala et al.	D15/27
D598,936	S *	8/2009	Hall et al.	D15/11
7,597,055	B2 *	10/2009	Choulet	111/69
2002/0162492	A1 *	11/2002	Juptner	111/140
2004/0089209	A1 *	5/2004	Joaquin Romagnoli	111/185
2007/0215024	A1 *	9/2007	Sanguinetti	111/118
2008/0264312	A1 *	10/2008	Choulet	111/69
2008/0276848	A1 *	11/2008	Schilling	111/149
2009/0025619	A1 *	1/2009	Vandersnick	111/135

\* cited by examiner

*Primary Examiner* — Mark Goodwin

(74) *Attorney, Agent, or Firm* — Stradley Ronon Stevens & Young, LLP

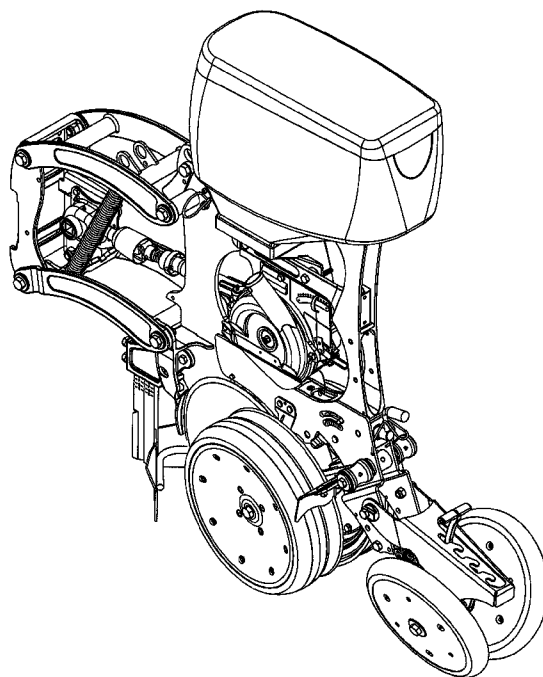
(57) **CLAIM**

The ornamental design for a sowing machine, as shown and described.

**DESCRIPTION**

FIG. 1 is a perspective view of a sowing machine showing my new design;  
FIG. 2 is a front view thereof;  
FIG. 3 is a rear view thereof;  
FIG. 4 is a left side view thereof;  
FIG. 5 is a right side view thereof;  
FIG. 6 is a top plan view thereof; and,  
FIG. 7 is a bottom plan view thereof.

**1 Claim, 7 Drawing Sheets**



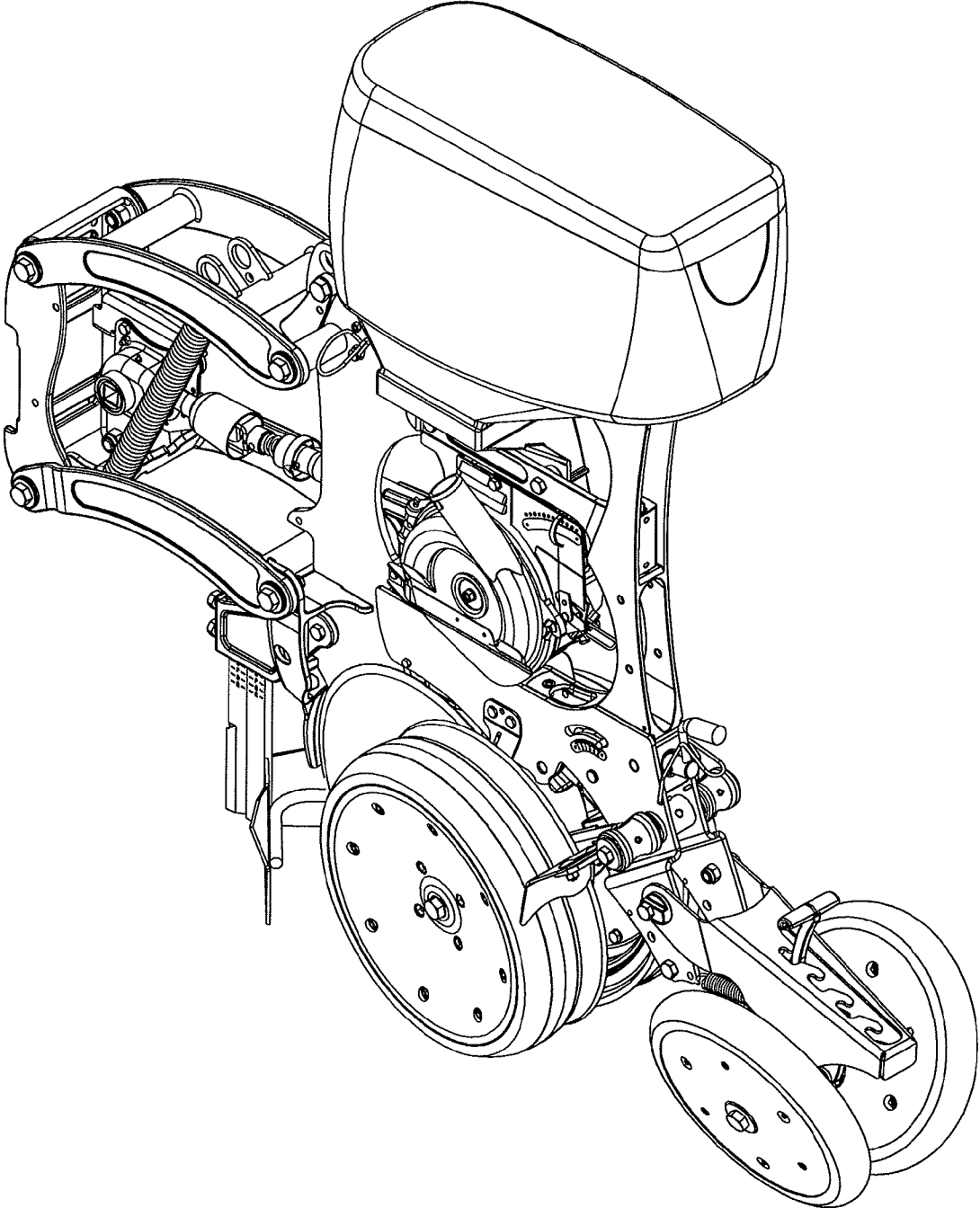


Fig. 1

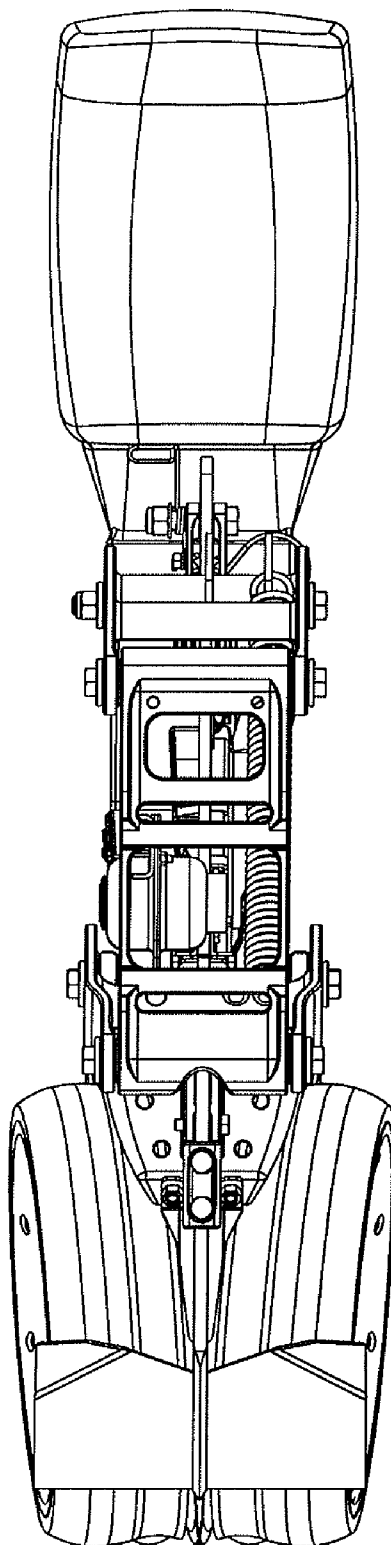


Fig. 2

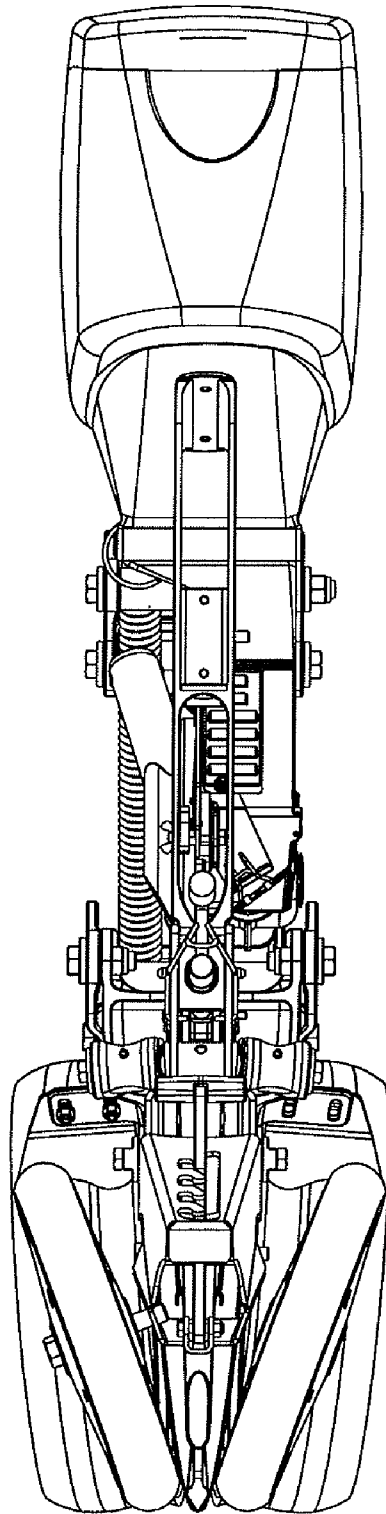


Fig. 3

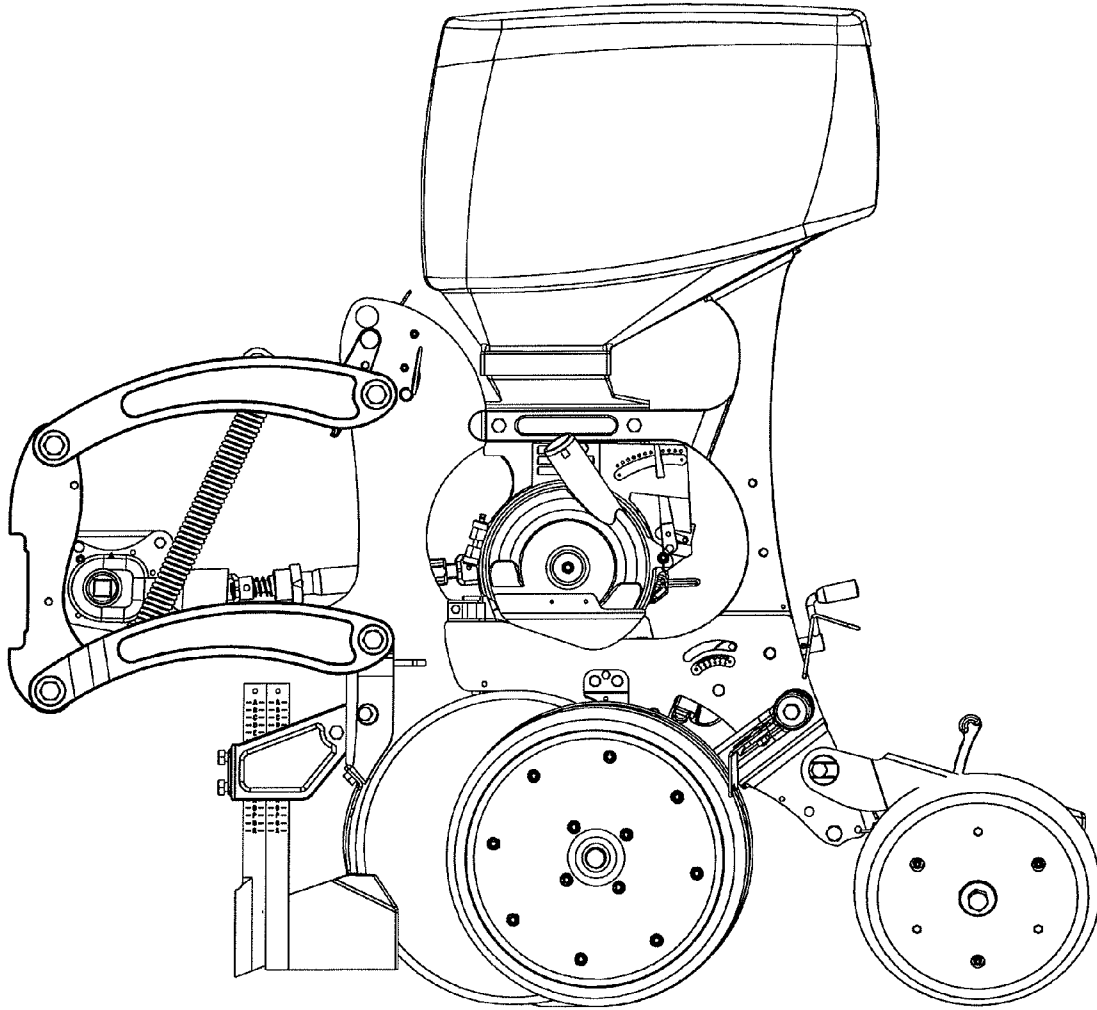


Fig. 4

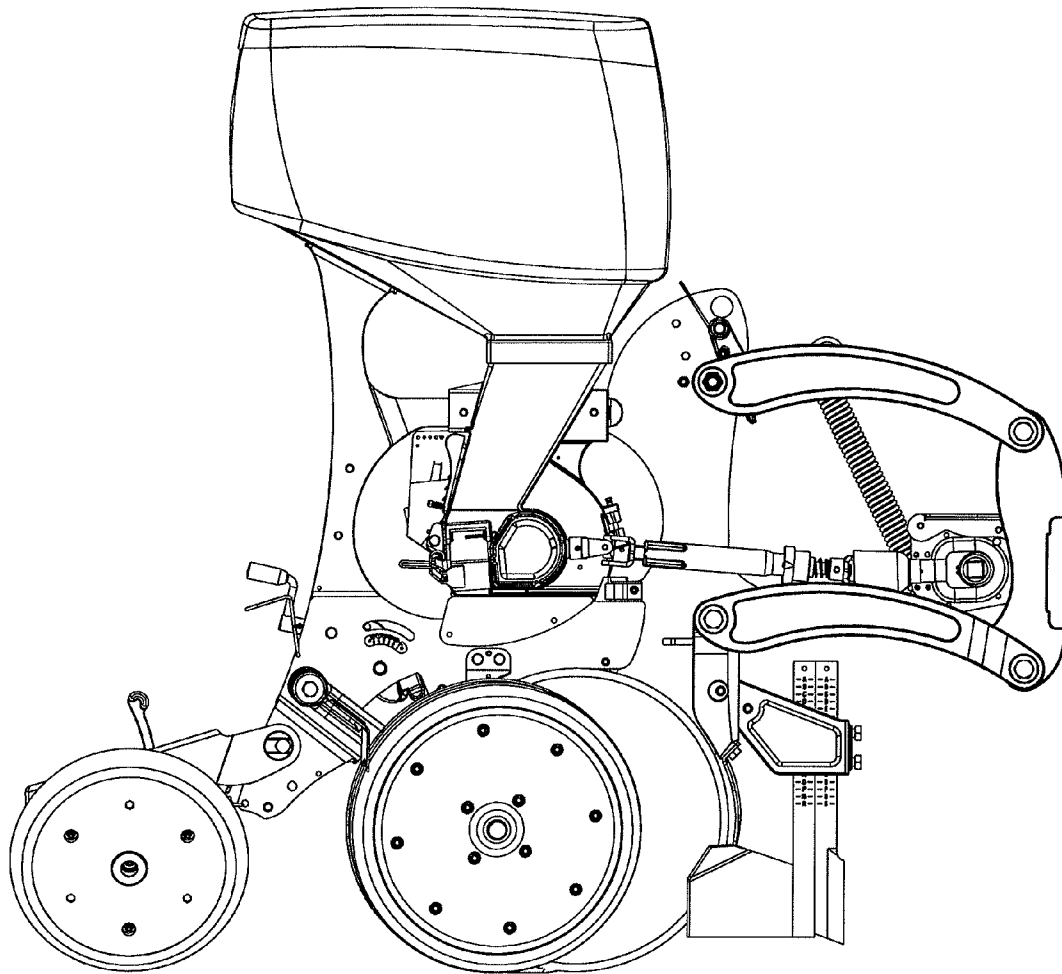


Fig. 5

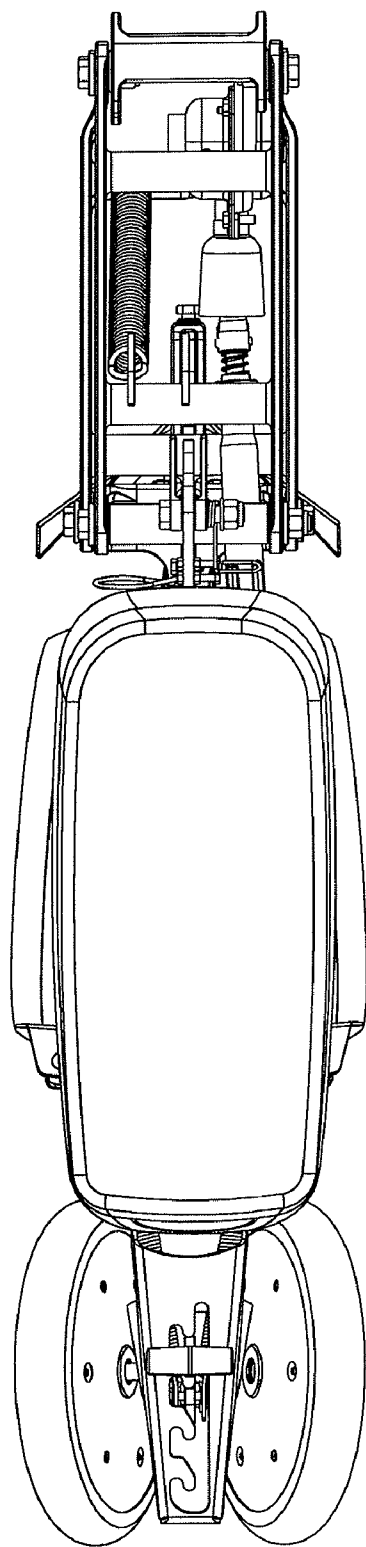


Fig. 6

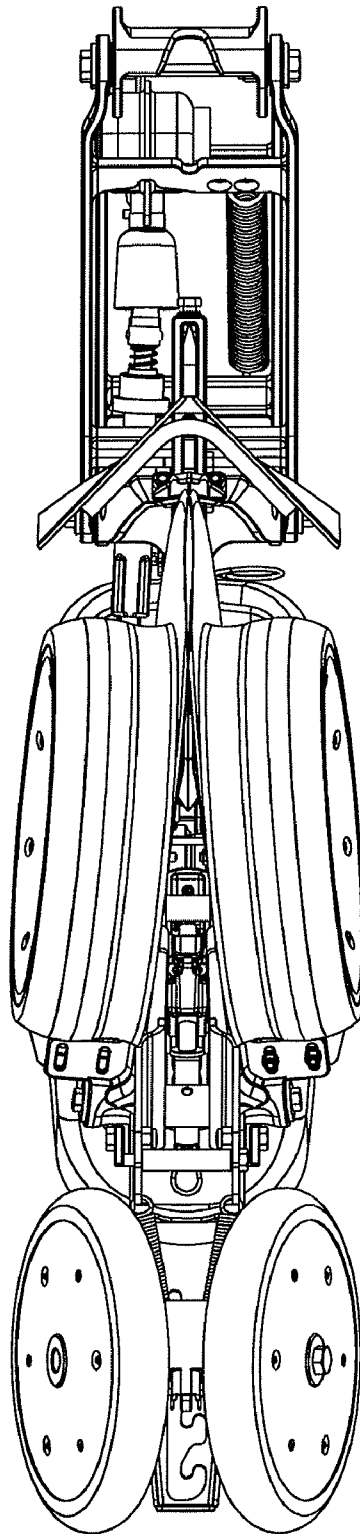


Fig. 7