

(19) World Intellectual Property Organization
International Bureau



(43) International Publication Date
22 November 2007 (22.11.2007)

PCT

(10) International Publication Number
WO 2007/134334 A3

- (51) International Patent Classification:
F16K 31/122 (2006.01)
- (21) International Application Number:
PCT/US2007/068998
- (22) International Filing Date: 15 May 2007 (15.05.2007)
- (25) Filing Language: English
- (26) Publication Language: English
- (30) Priority Data:
60/800,723 15 May 2006 (15.05.2006) US
- (71) Applicant (for all designated States except US): **HIGH VACUUM APPARATUS MFG., INC** [US/US]; 12880 Moya Boulevard, Reno, NV 89506 (US).

AT, AU, AZ, BA, BB, BG, BH, BR, BW, BY, BZ, CA, CH, CN, CO, CR, CU, CZ, DE, DK, DM, DZ, EC, EE, EG, ES, FI, GB, GD, GE, GH, GM, GT, HN, HR, HU, ID, IL, IN, IS, JP, KE, KG, KM, KN, KP, KR, KZ, LA, LC, LK, LR, LS, LT, LU, LY, MA, MD, MG, MK, MN, MW, MX, MY, MZ, NA, NG, NI, NO, NZ, OM, PG, PH, PL, PT, RO, RS, RU, SC, SD, SE, SG, SK, SL, SM, SV, SY, TJ, TM, TN, TR, TT, TZ, UA, UG, US, UZ, VC, VN, ZA, ZM, ZW.

(84) Designated States (unless otherwise indicated, for every kind of regional protection available): ARIPO (BW, GH, GM, KE, LS, MW, MZ, NA, SD, SL, SZ, TZ, UG, ZM, ZW), Eurasian (AM, AZ, BY, KG, KZ, MD, RU, TJ, TM), European (AT, BE, BG, CH, CY, CZ, DE, DK, EE, ES, FI, FR, GB, GR, HU, IE, IS, IT, LT, LU, LV, MC, MT, NL, PL, PT, RO, SE, SI, SK, TR), OAPI (BF, BJ, CF, CG, CI, CM, GA, GN, GQ, GW, ML, MR, NE, SN, TD, TG).

- (72) Inventors; and
- (75) Inventors/Applicants (for US only): **BRENES, Arthur, J.** [US/US]; c/o High Vacuum Apparatus Mfg., Inc., 12880 Moya Boulevard, Reno, NV 89506 (US). **TAKAYAMA, Yoshi** [US/US]; c/o High Vacuum Apparatus Mfg., Inc., 12880 Moya Boulevard, Reno, NV 89506 (US). **DUNCAN, John** [US/US]; c/o High Vacuum Apparatus Mfg., Inc., 12880 Moya Boulevard, Reno, NV 89506 (US).
- (74) Agents: **EDESESS, Douglas, J.** et al.; Morgan Lewis & Bockius LLP, One Market, Spear Street Tower, San Francisco, CA 94105 (US).
- (81) Designated States (unless otherwise indicated, for every kind of national protection available): AE, AG, AL, AM,

Declarations under Rule 4.17:

- as to applicant's entitlement to apply for and be granted a patent (Rule 4.17(ii))
- as to the applicant's entitlement to claim the priority of the earlier application (Rule 4.17(iii))

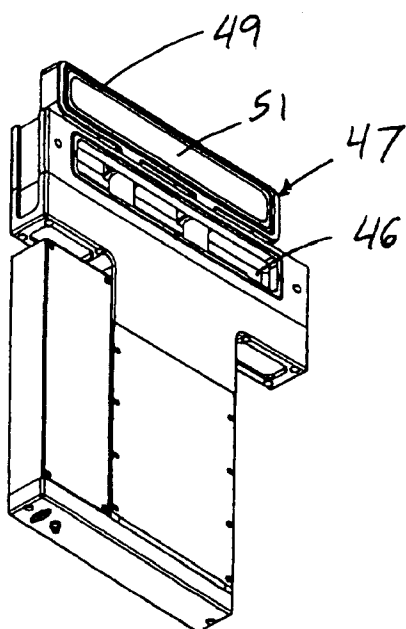
Published:

- with international search report

(88) Date of publication of the international search report:
23 October 2008

(15) Information about Correction:
Previous Correction:
see Notice of 6 March 2008

(54) Title: GATE VALVE HAVING SERVICE POSITION



(57) Abstract: A gate valve including a valve housing defining a valve chamber having an opening therethrough along a flow path, a gate support supported within the valve housing between a closed position in the flow path, an open position outside of the flow path, and a service position extending out of the valve housing, and a dual actuator assembly having a service piston assembly having a service piston reciprocable within the valve housing, and an inner piston assembly having an inner piston reciprocable within the service piston assembly. The gate support is configured to reciprocate with the inner piston between the closed and open positions, and with the service piston between the closed and the service positions. A method of using the gate valve is also disclosed.

WO 2007/134334 A3

INTERNATIONAL SEARCH REPORT

International application No.

PCT/US07/68998

A. CLASSIFICATION OF SUBJECT MATTER
 IPC: **F16K 31/122(2006.01)**

USPC: 137/15.23,315.29;251/62,175,187,193,329
 According to International Patent Classification (IPC) or to both national classification and IPC

B. FIELDS SEARCHED

Minimum documentation searched (classification system followed by classification symbols)
 U.S. : 137/15.23,315.29;251/62,175,187,193,329

Documentation searched other than minimum documentation to the extent that such documents are included in the fields searched

Electronic data base consulted during the international search (name of data base and, where practicable, search terms used)
 Please See Continuation Sheet

C. DOCUMENTS CONSIDERED TO BE RELEVANT

Category *	Citation of document, with indication, where appropriate, of the relevant passages	Relevant to claim No.
A	US 4,568,058 A (SHELTON) 04 February 1986 (04.02.1986), figures 1-2.	1
A	US 2005/0199848 A1 (SEITZ) 15 September 2005 (15.09.2005), figures 4a-4b).	1

Further documents are listed in the continuation of Box C. See patent family annex.

Special categories of cited documents:		
"A" document defining the general state of the art which is not considered to be of particular relevance	"T"	later document published after the international filing date or priority date and not in conflict with the application but cited to understand the principle or theory underlying the invention
"E" earlier application or patent published on or after the international filing date	"X"	document of particular relevance; the claimed invention cannot be considered novel or cannot be considered to involve an inventive step when the document is taken alone
"L" document which may throw doubts on priority claim(s) or which is cited to establish the publication date of another citation or other special reason (as specified)	"Y"	document of particular relevance; the claimed invention cannot be considered to involve an inventive step when the document is combined with one or more other such documents, such combination being obvious to a person skilled in the art
"O" document referring to an oral disclosure, use, exhibition or other means	"&"	document member of the same patent family
"P" document published prior to the international filing date but later than the priority date claimed		

Date of the actual completion of the international search 24 June 2008 (24.06.2008)	Date of mailing of the international search report
--	--

Name and mailing address of the ISA/US Mail Stop PCT, Attn: ISA/US Commissioner for Patents P.O. Box 1450 Alexandria, Virginia 22313-1450 Facsimile No. (571) 273-3201	Authorized officer John Bastianelli <i>A. Husley Jr</i> Telephone No. (571) 272-3700
---	--

INTERNATIONAL SEARCH REPORT

International application No.

PCT/US07/68998

Box No. II Observations where certain claims were found unsearchable (Continuation of item 2 of first sheet)

This international search report has not been established in respect of certain claims under Article 17(2)(a) for the following reasons:

1. Claims Nos.:
because they relate to subject matter not required to be searched by this Authority, namely:

2. Claims Nos.:
because they relate to parts of the international application that do not comply with the prescribed requirements to such an extent that no meaningful international search can be carried out, specifically:

3. Claims Nos.:
because they are dependent claims and are not drafted in accordance with the second and third sentences of Rule 6.4(a).

Box No. III Observations where unity of invention is lacking (Continuation of item 3 of first sheet)

This International Searching Authority found multiple inventions in this international application, as follows:
Please See Continuation Sheet

1. As all required additional search fees were timely paid by the applicant, this international search report covers all searchable claims.
2. As all searchable claims could be searched without effort justifying additional fees, this Authority did not invite payment of any additional fees.
3. As only some of the required additional search fees were timely paid by the applicant, this international search report covers only those claims for which fees were paid, specifically claims Nos.:

4. No required additional search fees were timely paid by the applicant. Consequently, this international search report is restricted to the invention first mentioned in the claims; it is covered by claims Nos.: 1-19

- Remark on Protest**
- The additional search fees were accompanied by the applicant's protest and, where applicable, the payment of a protest fee.
 - The additional search fees were accompanied by the applicant's protest but the applicable protest fee was not paid within the time limit specified in the invitation.
 - No protest accompanied the payment of additional search fees.

INTERNATIONAL SEARCH REPORT

International application No.
PCT/US07/68998

BOX III. OBSERVATIONS WHERE UNITY OF INVENTION IS LACKING

This application contains the following inventions or groups of inventions which are not so linked as to form a single general inventive concept under PCT Rule 13.1. In order for all inventions to be examined, the appropriate additional examination fees must be paid.

Group I, claim(s) 1-19, drawn to an apparatus.

Group II, claim(s) 20-25, drawn to a method of servicing.

Group III, claim(s) 26-28, drawn to a method of using.

Group IV, claim(s) 29-32, drawn to a method of moving.

The inventions listed as Groups I and II do not relate to a single general inventive concept under PCT Rule 13.1 because, under PCT Rule 13.2, they lack the same or corresponding special technical features for the following reasons: Group I has a specific dual actuator assembly with a service piston and an inner piston assembly. Group II involves removing a top cover of the housing. Group III involves applying a specific amount of pressure. Group IV involves moving the gate support in specific steps.

Continuation of B. FIELDS SEARCHED Item 3:

EAST

search terms: gate, service, repair, piston