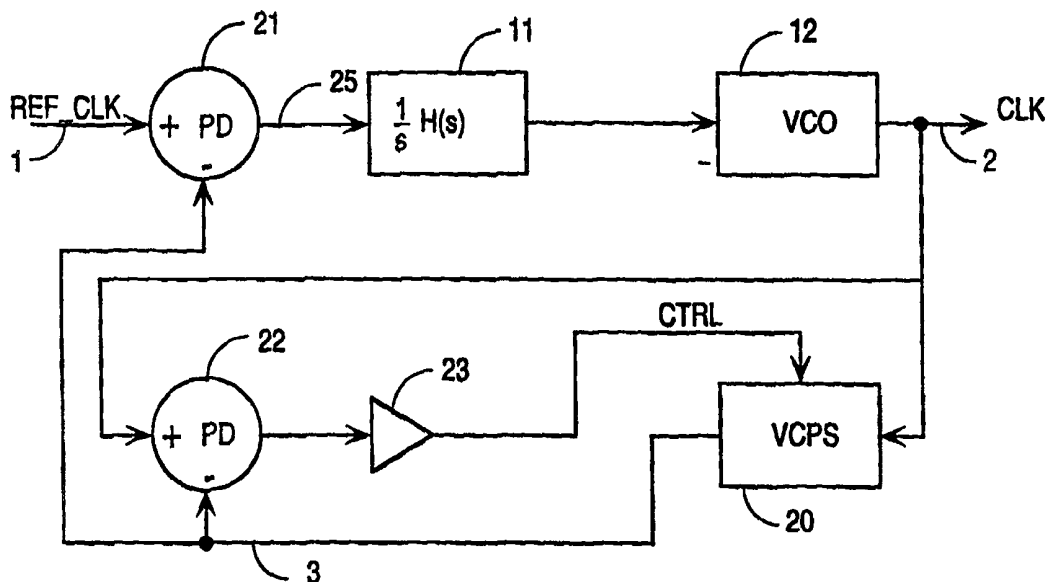




INTERNATIONAL APPLICATION PUBLISHED UNDER THE PATENT COOPERATION TREATY (PCT)

<p>(51) International Patent Classification ⁶ : G01R 25/00</p>	<p>A1</p>	<p>(11) International Publication Number: WO 99/36792 (43) International Publication Date: 22 July 1999 (22.07.99)</p>
<p>(21) International Application Number: PCT/US98/27047 (22) International Filing Date: 17 December 1998 (17.12.98) (30) Priority Data: 09/006,650 14 January 1998 (14.01.98) US (71) Applicant (for all designated States except US): INTEL CORPORATION [US/US]; 2200 Mission College Boulevard, Santa Clara, CA 95052 (US). (72) Inventor; and (75) Inventor/Applicant (for US only): JOHNSON, Luke, A. [US/US]; 908 W. Apollo Avenue, Tempe, AZ 85283 (US). (74) Agents: TAYLOR, Edwin, H. et al.; Blakely, Sokoloff, Taylor & Zafman LLP, 7th floor, 12400 Wilshire Boulevard, Los Angeles, CA 90025 (US).</p>		<p>(81) Designated States: AL, AM, AT, AT (Utility model), AU (Petty patent), AZ, BA, BB, BG, BR, BY, CA, CH, CN, CU, CZ, CZ (Utility model), DE, DE (Utility model), DK, DK (Utility model), EE, EE (Utility model), ES, FI, FI (Utility model), GB, GD, GE, GH, GM, HR, HU, ID, IL, IN, IS, JP, KE, KG, KP, KR, KZ, LC, LK, LR, LS, LT, LU, LV, MD, MG, MK, MN, MW, MX, NO, NZ, PL, PT, RO, RU, SD, SE, SG, SI, SK, SK (Utility model), SL, TJ, TM, TR, TT, UA, UG, US, UZ, VN, YU, ZW, ARIPO patent (GH, GM, KE, LS, MW, SD, SZ, UG, ZW), Eurasian patent (AM, AZ, BY, KG, KZ, MD, RU, TJ, TM), European patent (AT, BE, CH, CY, DE, DK, ES, FI, FR, GB, GR, IE, IT, LU, MC, NL, PT, SE), OAPI patent (BF, BJ, CF, CG, CI, CM, GA, GN, GW, ML, MR, NE, SN, TD, TG).</p> <p>Published <i>With international search report.</i></p>

(54) Title: SELF-COMPENSATING PHASE DETECTOR



(57) Abstract

A self-compensating phase detector using two identical phase detectors (21, 22) introducing one of the phase detectors and a control variable phase shifter (20) in a negative feedback loop (23) shifts one clock signal enough such that shifted signal compensates for existing static phase error. This self-compensation improves the accuracy of the phase difference measurement by significantly reducing the effect of the static phase error. Moreover, this reduction remains true in spite of variations in process, temperature and voltage. Thus, inherent immunity of the invention to environmental conditions results in fewer failing parts during fabrication. Additionally, because the design is self-adjusting to environmental changes, design ease is significantly improved.

FOR THE PURPOSES OF INFORMATION ONLY

Codes used to identify States party to the PCT on the front pages of pamphlets publishing international applications under the PCT.

AL	Albania	ES	Spain	LS	Lesotho	SI	Slovenia
AM	Armenia	FI	Finland	LT	Lithuania	SK	Slovakia
AT	Austria	FR	France	LU	Luxembourg	SN	Senegal
AU	Australia	GA	Gabon	LV	Latvia	SZ	Swaziland
AZ	Azerbaijan	GB	United Kingdom	MC	Monaco	TD	Chad
BA	Bosnia and Herzegovina	GE	Georgia	MD	Republic of Moldova	TG	Togo
BB	Barbados	GH	Ghana	MG	Madagascar	TJ	Tajikistan
BE	Belgium	GN	Guinea	MK	The former Yugoslav Republic of Macedonia	TM	Turkmenistan
BF	Burkina Faso	GR	Greece	ML	Mali	TR	Turkey
BG	Bulgaria	HU	Hungary	MN	Mongolia	TT	Trinidad and Tobago
BJ	Benin	IE	Ireland	MR	Mauritania	UA	Ukraine
BR	Brazil	IL	Israel	MW	Malawi	UG	Uganda
BY	Belarus	IS	Iceland	MX	Mexico	US	United States of America
CA	Canada	IT	Italy	NE	Niger	UZ	Uzbekistan
CF	Central African Republic	JP	Japan	NL	Netherlands	VN	Viet Nam
CG	Congo	KE	Kenya	NO	Norway	YU	Yugoslavia
CH	Switzerland	KG	Kyrgyzstan	NZ	New Zealand	ZW	Zimbabwe
CI	Côte d'Ivoire	KP	Democratic People's Republic of Korea	PL	Poland		
CM	Cameroon	KR	Republic of Korea	PT	Portugal		
CN	China	KZ	Kazakstan	RO	Romania		
CU	Cuba	LC	Saint Lucia	RU	Russian Federation		
CZ	Czech Republic	LI	Liechtenstein	SD	Sudan		
DE	Germany	LK	Sri Lanka	SE	Sweden		
DK	Denmark	LR	Liberia	SG	Singapore		
EE	Estonia						

SELF-COMPENSATING PHASE DETECTOR

BACKGROUND OF THE INVENTION

1. Field of the Invention

The invention relates to clock signaling. More specifically, the invention relates to synchronization of an internal clock signal with a reference clock signal.

2. Related Art

The goal of a phase lock loop (PLL) is to synchronize otherwise asynchronous clock signals. To accomplish this synchronization, the PLL uses a phase detector which compares the phase of the two clocks that are to be synchronized and indicates the distance from synchronization. Ideally, if both clock signals are synchronized the output of this phase detector is zero. If the first signal is too fast the output is positive and if the first signal is too slow the output is negative. In reality due to physical limitations in design such as path mismatch and/or device mismatches a static phase error usually exists. This means that the phase detector will output zero when a static phase difference exists.

Figure 1 is block diagram of a prior art phase lock loop. A reference clock signal (REF_CLK) 1 is input to phase detector 10. A second input of phase detector 10 is a clock signal (CLK) 2 generated from voltage controlled oscillator 12. Phase detector 10 compares the phase of the REF_CLK 1 to the phase of CLK 2. The result of the comparison is filtered by filter 11. The output of the filter drives the voltage controlled oscillator (VCO) 12 possibly through an amplifier (not shown) to generate the CLK 2. When the above discussed static phase error exists, the CLK 2 generated by VCO 12 will not be exactly synchronized with the REF_CLK 1. This results in non-ideal timing constraints in PLL applications and poor Bit Error Rates (BERs) in clock recovery circuit (CRC) applications.

The problem of static error is exacerbated as the frequency of REF_CLK increases. For a REF_CLK at two gigahertz (.5 nanosecond period), even slight variations in delay through critical circuits can result in extreme deviations from

the ideal sampling point. For example, a 63 pico second delay is equal to a 45° phase error at two gigahertz. In a data transfer system where a stream of random data is to be synchronized with a clock used to sample the data, the phase lock loop must lock the VCO clock signal to within a 10° phase difference to minimize the effect of phase difference on the BER. Prior art phase detectors cannot deliver this performance reliably under the variations in environment the phase detector is likely to encounter in actual use.

In view of the foregoing, it would be desirable to have a method and apparatus that reliably matches the phase of a reference clock to a second clock signal even at very high clock rates.

BRIEF SUMMARY OF THE INVENTION

An apparatus for compensating for phase error is disclosed. A first phase detector is replicated such that a first and second phase detector exist. A phase shifter is coupled in a feedback loop of the second phase detector. The output of the phase shifter is coupled to an input of each of the first and the second phase detectors.

BRIEF DESCRIPTION OF THE DRAWINGS

Figure 1 is block diagram of a prior art phase lock loop.

Figure 2 is a block diagram of a phase lock loop employing one embodiment of the invention.

Figure 3 is a block diagram of a differential clock recovery circuit employing another embodiment of the invention

Figure 4 is a block diagram of an alternative embodiment of the invention.

Figure 5 is a diagram of a system employing one embodiment of the invention.

DETAILED DESCRIPTION OF THE INVENTION

The embodiments of the invention described below improve the accuracy of the phase difference measurement by significantly reducing the effect of static phase error. Moreover, this reduction remains true in spite of variations in process, temperature and voltage. Thus, inherent immunity of the invention to environmental conditions results in fewer failing parts during fabrication. Additionally, because the design is self-adjusting to environmental changes, design ease is significantly improved. For example, in the prior art merely changing the load of the VCO output would change the slew rates and affect the performance of the phase detector. When the disclosed device is used the phase detector will self calibrate to the new conditions so that changes can be made without redesign. For example, using two identical phase detectors if the phase detectors are carefully drawn, introduction of one of the phase detectors and a voltage controlled phase shifter in a negative feedback loop shifts the signal enough such that the shifted signal compensates for existing static phase error. This same shifted signal is used for comparison by the first phase detector thereby reducing the effect of static phase error on the system's ability to lock to the reference clock signal.

Figure 2 is a block diagram of a phase lock loop employing one embodiment of the invention. A reference clock 1 (REF_CLK) is input to a phase detector 21. A voltage controlled oscillator 12 generates a local clock signal (CLK) 2. CLK 2 is simultaneously input into a second phase detector 22 and the voltage controlled phase shifter (VCPS) 20. Equivalently, a current controlled phase shifter (CCPS) could be used. Phase detector 22 is a replicate of phase detector 21. The output of the VCPS 20 is a second input to both phase detector 21 and phase detector 22. Accordingly, phase detector 22 effectively compares the CLK 2 with a phase shift of CLK (Δ CLK) 3. In an ideal world if in the initial instance the amount of phase shift caused by voltage VCPS 20 is zero the output of phase detector 22 should also be zero. However, if a static phase error exists, some phase shift must be introduced by VCPS 20 to drive the output of phase detector 22 to zero. An amplifier 23 amplifies the output of phase detector 22 so that small differences between CLK 2 and the Δ CLK 3 result in large control voltages driven into VCPS 20. Thus, Δ CLK 3 will be shifted until it drives the output of phase detector 22 to zero. The amount of

phase shift in ΔCLK 3 should be just enough to accommodate the static phase error of the feedback loop. Because phase detector 22 and phase detector 21 are precise replicates of each other it is expected that the same static phase error will be present in both phase detectors. Thus, ΔCLK 3 applied to a second input of phase detector 21 for comparison with REF_CLK 1 will yield zero as the corrected phase difference 25 when CLK 2 is synchronized with the REF_CLK 1. In the shown embodiment, the corrected phase difference 25 drives a filter 11 which in turn drives the voltage controlled oscillator 12. Several suitable filters exist.

Figure 3 is a block diagram of a differential clock recovery circuit employing another embodiment of the invention. The differential input clock signals 50 comprising CLK and CLKZ and its quadrature clock signal 52 comprising QLK and QLKZ , are inputs to the voltage control phase shifter 60. Voltage control phase shifter 60 comprises 6 variable delay cells (VARDELs) 40, 41, 42. Some suitable VARDELs are described in co-pending application entitled A Variable Delay Cell With A Self-Biasing Load, Serial No. _____. VARDELs 40 provide a variable delay of the differential input clock signals 50, while VARDELs 41 correspondingly delay the quadrature clock signals 52. VARDELs 42 merely serve as a layer of buffering between VARDELs 40 and 41 and exclusive-OR gate 33. Thus, using this implementation the input clock 50 and in the quadrature clock 52 can each have half the fundamental frequency of the differential output clock 56. Exclusive-OR gate 33 serves to double the frequency since an exclusive-OR of a clock signal and its quadrature necessarily cause a frequency doubling at the output. Thus, output clock 56 comprising 2XCLK and 2XCLKZ is at the fundamental frequency which is twice the frequency of both the input clock 50 and the quadrature clock 52.

Two differentiator rectifier mixer lowpass filter units (DRML) 61, 62 are coupled to the output clock 56 and respectively the reference clock 54, and the quadrature clock 52. The DRML may be such as that described in co-pending application entitled Improved Differentiator, Rectifier, Mixer and Low-pass Filter Circuit, Serial No. _____, assigned to the assignee of the present application. The phase detector is implemented with the mixer portion of the DRML . The differentiator and rectifier portions effectively double the quadrature clock signal 52 which is then compared to output clock 56 to generate the differential delay signal 58 delay and delaym. Delay and

delays are the control inputs for the VARDELS 40 and 41 as discussed above. Notably, while the exclusive-OR gate 33 would normally add additional static phase error to the clock, because it is part of the feedback loop the phase shifter will accommodate for any static phase error due to the exclusive-OR gate 33. Ultimately, differential output 70 will be driven to zero when the reference clock is locked with the quadrature clock. Assuming the reference clock is clocking in a data stream, this is desirable because then sampling of the data should occur in the middle of the period during which the data is valid.

It has been found that the above described embodiment can take a two gigabit/second stream of random data and generate a synchronized clock to be used to sample the data. The lock obtained optimizes the BER by minimizing the effect of static phase error. Additionally, the embodiment can be successfully fabricated on a .4 μ CMOS process.

Figure 4 is a block diagram of an alternative embodiment of the invention. In this embodiment, the reference clock is driven through a variable phase shifter 120 and phase detector 122. The shifted reference clock 103 is then applied to the other input of phase detector 122 as well as an input of phase detector 121. The result of the comparison in phase detector 122 is amplified by amplifier 121 and drives the phase shifter 120 thereby accommodating any static phase error existing in the design. The VCO clock is driven through a delay unit 130 into phase detector 121, the output of phase detector 121 is therefore the corrected phase difference between the reference clock and the VCO clock. Delay unit 130 could be implemented using a variable phase shifter with its inputs tied off. The purpose of delay unit 130 is to ensure that the clock path with the feedback loop is the fastest clock path. This is desirable because it is very difficult to add negative delay. Thus, by introducing a delay unit one can ensure that the VCO clock path (in this case) is never faster than the reference clock path.

It should be recognized by one of ordinary skill in the art that it is possible to accommodate the static phase error by introduction of the phase shifter and second phase detector into either clock path. It should also be understood by one of ordinary skill in the art that it is desirable to match as closely as possible the first and second phase detector of any of the embodiments. Thus, in drawing the phase detectors it is desirable to use greater

than the minimum geometry so as to mitigate the risk of device mismatch between the two phase detectors. Moreover, while this particular device is useful for phase lock loops (PLL's) which are ubiquitous in the electronics industry, this would be it applicable to any system in which an accurate phase comparison (typically to achieve an accurate phase lock) is required.

Figure 5 is a diagram of a system employing one embodiment of the invention. A first transceiver 140 transmits signals over a serial bus 160 to a second transceiver 150. First transceiver transmits using a clock signal 161 which has a frequency and phase. A clock recovery circuit 151 in the second transceiver 150 matches the internal clock of transceiver 150 with the frequency and phase of the clock signal 151 coming over the serial bus 160. The embodiments shown in Figures 2-4 are suitable for use in CRC 151. In one embodiment the serial bus 160 follows the protocol described in IEEE Standard 1394-1995, IEEE Standard for a High Performance Serial Bus or a subsequent generation of that protocol such as described in 1394a Draft Standard for a High Performance Serial Bus (Supplement) or 1394b Draft Standard for a High Performance Serial Bus (Supplement). Revision to these Standards can be expected from time to time.

In the foregoing specification, the invention has been described with reference to specific embodiments thereof. It will, however, be evident that various modifications and changes can be made thereto without departing from the broader spirit and scope of the invention as set forth in the appended claims. The specification and drawings are, accordingly, to be regarded in an illustrative rather than a restrictive sense. Therefore, the scope of the invention should be limited only by the appended claims.

CLAIMS

What is claimed is:

1. An apparatus comprising:
a first phase detector;
a second phase detector that is a replicate of the first phase detector; and
a phase shifter coupled in a feedback loop of the second phase detector, wherein the phase shifter output is coupled to an input of each of the first and second phase detectors.
2. The apparatus of claim 1 further comprising:
an amplifier coupled between the output of the second phase detector and the phase shifter.
3. The apparatus of claim 2 wherein the second phase detector receives a clock signal and a phase shift of the clock signal an amount of phase shift determined by a comparison between the clock signal and the phase shift of the clock signal.
4. The apparatus of claim 1 wherein the phase shifter comprises a plurality of variable delay units.
5. The apparatus of claim 4 wherein a first subset of the plurality of variable delay units shifts a clock signal and a second subset of variable delay units shifts a quadrature clock signal.
6. The apparatus of claim 5 further comprising:
an exclusive OR gate having as inputs a shift of the clock signal and a shift of the quadrature clock signal thereby generating a double speed clock signal.
7. The apparatus of claim 3 wherein the clock signal is a differential signal.

8. A method comprising the steps of:
comparing, in a first phase detector, a first clock signal and a phase shifted first clock signal;
adjusting phase shift of the first clock signal based on a result of a comparison of the first clock signal and the phase shifted first clock signal; and
comparing in a second phase detector that is a replicate of the first phase detector, the phase shifted first clock signal with a second clock signal.
9. The method of claim 8 further comprising the step of:
amping up an output of the first phase detector to drive the phase shift.
10. The method of claim 8 further comprising the step of:
delaying a signal path of the second clock signal to insure that a signal path of the first clock signal is always equal or shorter than the signal path of the second clock signal.
11. The method of claim 8 wherein at a time $t = 0$ the phase shift is equal to 0.
12. The method of claim 8 wherein the first phase detector and second phase detector are drawn using greater than minimum geometries.
13. A system comprising:
a serial bus for transferring data responsive to a first clock signal;
and
a transceiver coupled to the serial bus, the transceiver responsive to a second clock domain the transceiver including a first phase detector, a second phase detector and a phase shifter, the first phase detector and the phase shifter coupled in a negative feedback loop to shift one of the first clock signal and the second clock signal to compensate for a static phase error.
14. The system of claim 13 wherein the clock signal shifted is the clock signal having a fastest signal path.

15. The system of claim 13 wherein the first clock signal is a voltage controlled oscillator (VCO) clock signal and the second clock signal is an external reference clock signal.

16. The system of claim 15 wherein the reference clock signal is a clock rate of incoming data.

17. The system of claim 16 wherein the reference clock signal is compared to a shifted VCO clock signal by the second phase detector and the VCO clock signal and the shifted VCO clock signal are compared by the first phase detector.

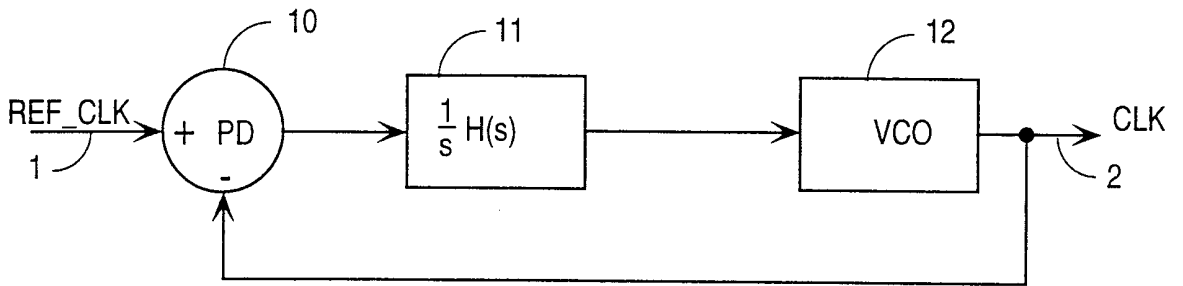


Fig. 1
(Prior Art)

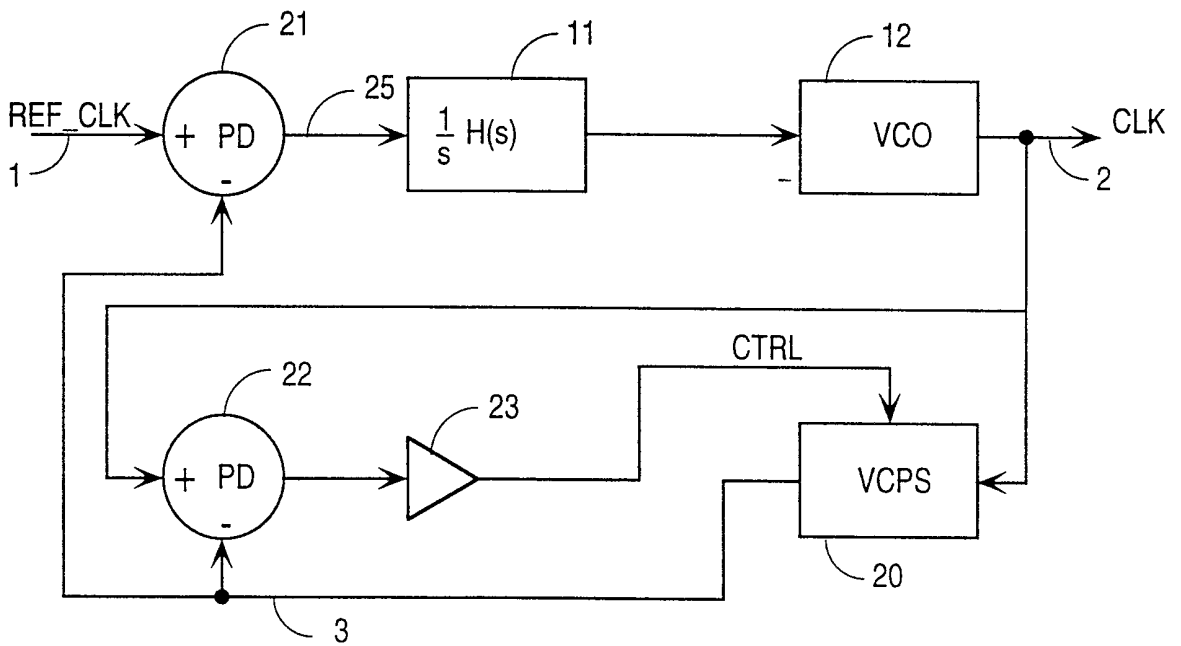


Fig. 2

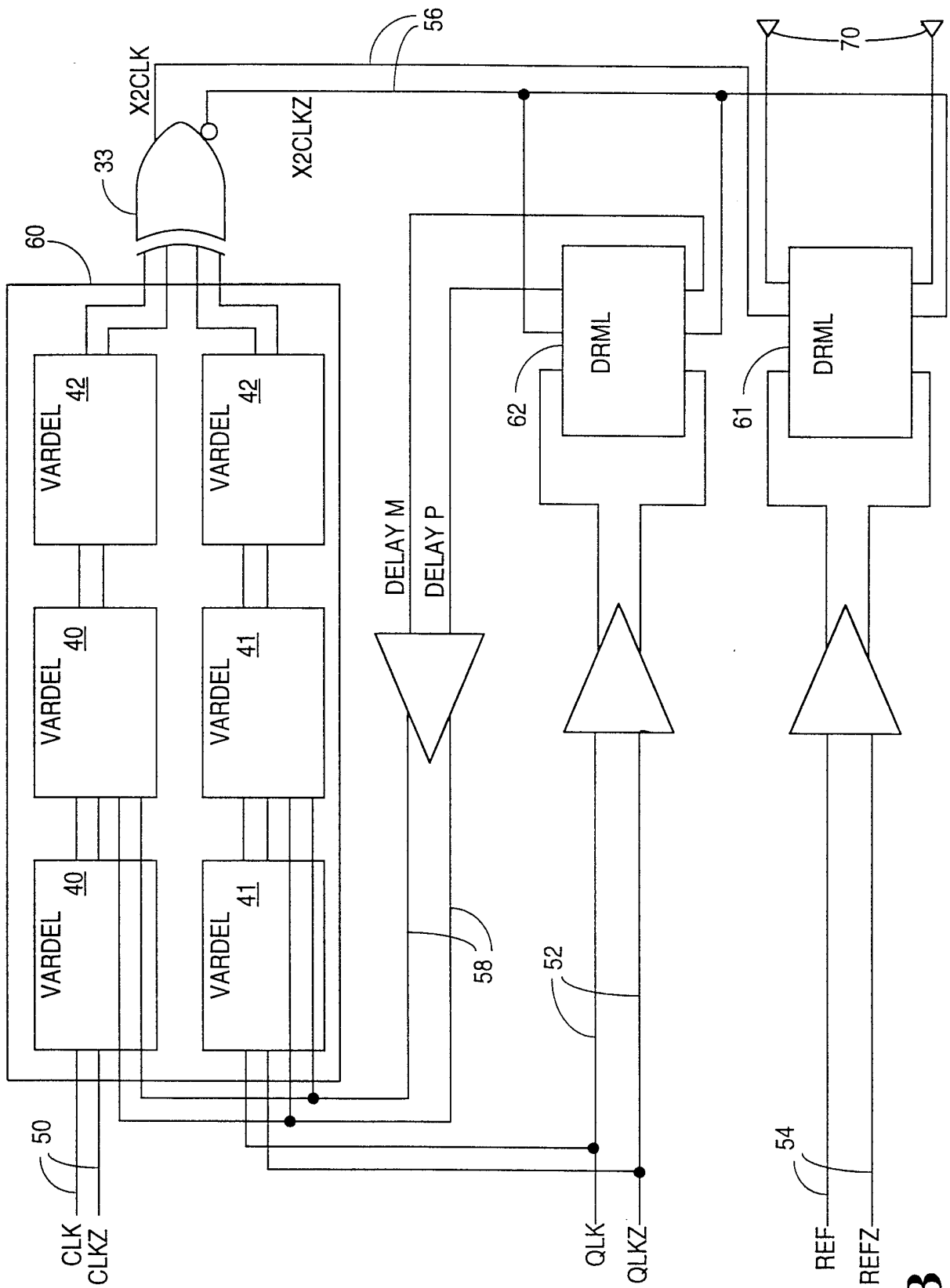


Fig. 3

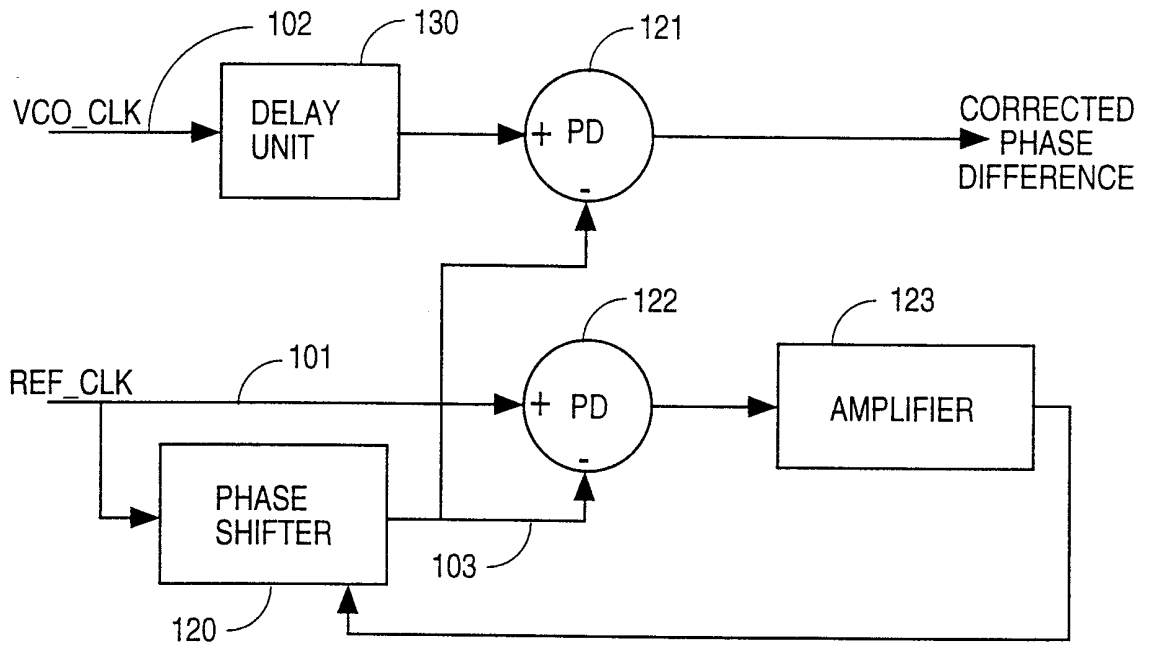


Fig. 4

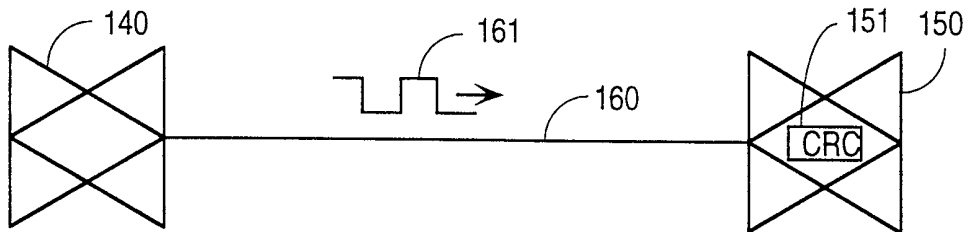
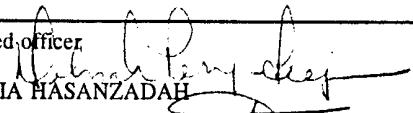


Fig. 5

INTERNATIONAL SEARCH REPORT

International application No.
PCT/US98/27047

A. CLASSIFICATION OF SUBJECT MATTER		
IPC(6) :G01R 25/00 US CL :327/7, 5, 8, 156, 163; 375/375 According to International Patent Classification (IPC) or to both national classification and IPC		
B. FIELDS SEARCHED		
Minimum documentation searched (classification system followed by classification symbols) U.S. : 327/3, 5, 7, 8, 155, 156, 158, 163; 375/373, 375, 376		
Documentation searched other than minimum documentation to the extent that such documents are included in the fields searched NONE		
Electronic data base consulted during the international search (name of data base and, where practicable, search terms used) U.S. PTO APS search terms: phase detect?, second, pair, two, phase shift		
C. DOCUMENTS CONSIDERED TO BE RELEVANT		
Category*	Citation of document, with indication, where appropriate, of the relevant passages	Relevant to claim No.
X	US 5,523,798 A (HAGINO et al) 04 June 1996 (04.06.96), see Fig. 2.	1
A	US 4,633,883 A (MATSUI) 06 January 1987 (06.01.87), see Fig. 2.	1-17
A	US 4,628,260 A (KIMOTO et al.) 09 December 1986 (09.12.86), see Fig. 1.	1-17
<input type="checkbox"/> Further documents are listed in the continuation of Box C. <input type="checkbox"/> See patent family annex.		
*	Special categories of cited documents:	"T" later document published after the international filing date or priority date and not in conflict with the application but cited to understand the principle or theory underlying the invention
"A"	document defining the general state of the art which is not considered to be of particular relevance	
"E"	earlier document published on or after the international filing date	"X" document of particular relevance; the claimed invention cannot be considered novel or cannot be considered to involve an inventive step when the document is taken alone
"L"	document which may throw doubts on priority claim(s) or which is cited to establish the publication date of another citation or other special reason (as specified)	"Y" document of particular relevance; the claimed invention cannot be considered to involve an inventive step when the document is combined with one or more other such documents, such combination being obvious to a person skilled in the art
"O"	document referring to an oral disclosure, use, exhibition or other means	
"P"	document published prior to the international filing date but later than the priority date claimed	"&" document member of the same patent family
Date of the actual completion of the international search 03 MARCH 1999		Date of mailing of the international search report 16 MAR 1999
Name and mailing address of the ISA/US Commissioner of Patents and Trademarks Box PCT Washington, D.C. 20231 Facsimile No. (703) 305-3230		Authorized officer  MARIA HASANZADAH Telephone No. (703) 305-0264