

(19) World Intellectual Property Organization
International Bureau



(43) International Publication Date
9 September 2005 (09.09.2005)

PCT

(10) International Publication Number
WO 2005/081788 A3

- (51) International Patent Classification⁷: C23C 16/00
(21) International Application Number: PCT/US2005/003691
(22) International Filing Date: 7 February 2005 (07.02.2005)
(25) Filing Language: English
(26) Publication Language: English
(30) Priority Data: 10/782,545 19 February 2004 (19.02.2004) US

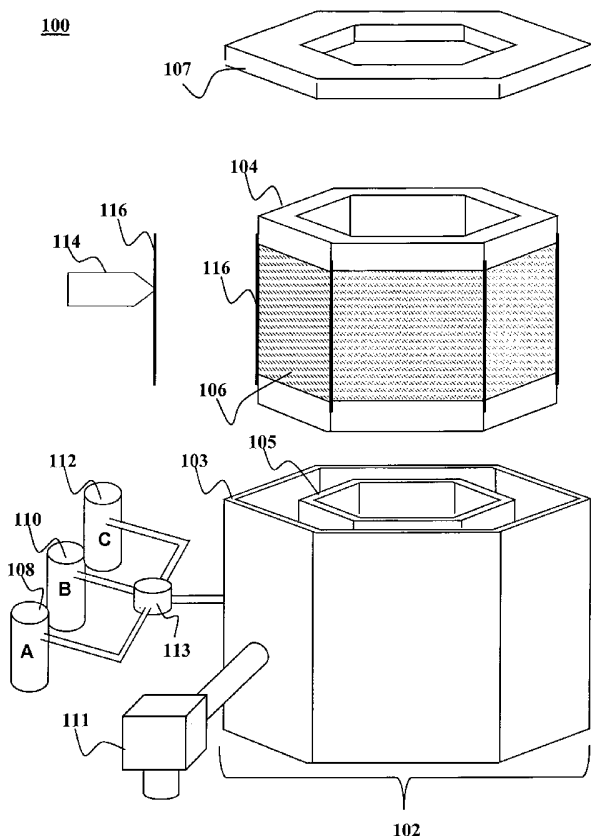
- (71) Applicant (for all designated States except US): NANOSOLAR, INC. [US/US]; 2440 Embarcadero Way, Palo Alto, CA 94303 (US).
(72) Inventors; and
(75) Inventors/Applicants (for US only): ROSCHEISEN, Martin, R. [AT/US]; 611 Buena Vista Ave West, San Francisco, CA 94117 (US). PICHLER, Karl [AT/—]; c/o Hotel Traube, Hauptstrasse, A-8911 Admont (AT).
(74) Agent: ISENBERG, Joshua, D.; 204 Castro Lane, Fremont, CA 94539 (US).

- (81) Designated States (unless otherwise indicated, for every kind of national protection available): AE, AG, AL, AM, AT, AU, AZ, BA, BB, BG, BR, BW, BY, BZ, CA, CH, CN, CO, CR, CU, CZ, DE, DK, DM, DZ, EC, EE, EG, ES, FI, GB, GD, GE, GH, GM, HR, HU, ID, IL, IN, IS, JP, KE, KG, KP, KR, KZ, LC, LK, LR, LS, LT, LU, LV, MA, MD, MG, MK, MN, MW, MX, MZ, NA, NI, NO, NZ, OM, PG, PH, PL, PT, RO, RU, SC, SD, SE, SG, SK, SL, SM, SY, TJ, TM, TN, TR, TT, TZ, UA, UG, US, UZ, VC, VN, YU, ZA, ZM, ZW.
(84) Designated States (unless otherwise indicated, for every kind of regional protection available): ARIPO (BW, GH, GM, KE, LS, MW, MZ, NA, SD, SL, SZ, TZ, UG, ZM, ZW), Eurasian (AM, AZ, BY, KG, KZ, MD, RU, TJ, TM), European (AT, BE, BG, CH, CY, CZ, DE, DK, EE, ES, FI, FR, GB, GR, HU, IE, IS, IT, LT, LU, MC, NL, PL, PT, RO, SE, SI, SK, TR), OAPI (BF, BJ, CF, CG, CI, CM, GA, GN, GQ, GW, ML, MR, NE, SN, TD, TG).

Published:
— with international search report

[Continued on next page]

(54) Title: HIGH THROUGHPUT SURFACE TREATMENT ON COILED FLEXIBLE SUBSTRATES



(57) Abstract: One or more substrates (106) may be coiled into one or more coils in such a way that adjacent turns of the coils do not touch one another. The one or more coiled substrates (106) are placed in a treatment chamber (102) where substantially an entire surface of the one or more coiled substrates (106) may be treated with a surface treatment process. One or more spacers (116) may be placed between adjacent layers of the coiled substrate (106) before a full turn of the substrate (106) has been coiled around the carousel (104).

WO 2005/081788 A3



(88) Date of publication of the international search report:

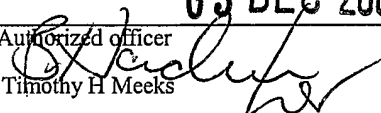
4 May 2006

For two-letter codes and other abbreviations, refer to the "Guidance Notes on Codes and Abbreviations" appearing at the beginning of each regular issue of the PCT Gazette.

INTERNATIONAL SEARCH REPORT

International application No.

PCT/US05/03691

<p>A. CLASSIFICATION OF SUBJECT MATTER IPC(7) : C23C 16/00 US CL : 427/248.1, 249.19, 253, 255.19, 255.23, 255.28, 255.36, 255.39; 205/80 According to International Patent Classification (IPC) or to both national classification and IPC</p>																										
<p>B. FIELDS SEARCHED</p> <p>Minimum documentation searched (classification system followed by classification symbols) U.S. : 427/248.1, 249.19, 253, 255.19, 255.23, 255.28, 255.36, 255.39; 205/80</p> <p>Documentation searched other than minimum documentation to the extent that such documents are included in the fields searched</p> <p>Electronic data base consulted during the international search (name of data base and, where practicable, search terms used) East</p>																										
<p>C. DOCUMENTS CONSIDERED TO BE RELEVANT</p> <table border="1"> <thead> <tr> <th>Category *</th> <th>Citation of document, with indication, where appropriate, of the relevant passages</th> <th>Relevant to claim No.</th> </tr> </thead> <tbody> <tr> <td>X</td> <td>US 2004/0001922 A1 (MEYER) 01 January 2004 (01.01.2004), entire.</td> <td>1, 6-9, 11, 12, 14, 15-18, 24-30</td> </tr> <tr> <td>X</td> <td>US 3,923,556 (ISZCZUKIEWICZ) 02 December 1975 (02.12.1975), entire.</td> <td>1, 8, 9, 19-21, 24, 31-33</td> </tr> <tr> <td>---</td> <td></td> <td>-----</td> </tr> <tr> <td>Y</td> <td></td> <td>2-5, 9, 10, 13</td> </tr> <tr> <td>Y</td> <td>US 5,614,273 (GOEDICKE et al) 25 March 1997 (25.03.1997), column 4, lines 48-51.</td> <td>2-5, 9, 10</td> </tr> <tr> <td>Y,E</td> <td>US 6,875,667 B2 (IIZUKA et al) 05 April 2005 (05.04.2005), column 8, lines 10-39.</td> <td>2-5, 9, 10</td> </tr> <tr> <td>Y</td> <td>US 6,353,205 B1 (IZARD) 05 March 2002 (05.03.2002), column 3, lines 29-45.</td> <td>13</td> </tr> </tbody> </table>			Category *	Citation of document, with indication, where appropriate, of the relevant passages	Relevant to claim No.	X	US 2004/0001922 A1 (MEYER) 01 January 2004 (01.01.2004), entire.	1, 6-9, 11, 12, 14, 15-18, 24-30	X	US 3,923,556 (ISZCZUKIEWICZ) 02 December 1975 (02.12.1975), entire.	1, 8, 9, 19-21, 24, 31-33	---		-----	Y		2-5, 9, 10, 13	Y	US 5,614,273 (GOEDICKE et al) 25 March 1997 (25.03.1997), column 4, lines 48-51.	2-5, 9, 10	Y,E	US 6,875,667 B2 (IIZUKA et al) 05 April 2005 (05.04.2005), column 8, lines 10-39.	2-5, 9, 10	Y	US 6,353,205 B1 (IZARD) 05 March 2002 (05.03.2002), column 3, lines 29-45.	13
Category *	Citation of document, with indication, where appropriate, of the relevant passages	Relevant to claim No.																								
X	US 2004/0001922 A1 (MEYER) 01 January 2004 (01.01.2004), entire.	1, 6-9, 11, 12, 14, 15-18, 24-30																								
X	US 3,923,556 (ISZCZUKIEWICZ) 02 December 1975 (02.12.1975), entire.	1, 8, 9, 19-21, 24, 31-33																								
---		-----																								
Y		2-5, 9, 10, 13																								
Y	US 5,614,273 (GOEDICKE et al) 25 March 1997 (25.03.1997), column 4, lines 48-51.	2-5, 9, 10																								
Y,E	US 6,875,667 B2 (IIZUKA et al) 05 April 2005 (05.04.2005), column 8, lines 10-39.	2-5, 9, 10																								
Y	US 6,353,205 B1 (IZARD) 05 March 2002 (05.03.2002), column 3, lines 29-45.	13																								
<p><input type="checkbox"/> Further documents are listed in the continuation of Box C. <input type="checkbox"/> See patent family annex.</p>																										
<p>* Special categories of cited documents:</p> <table border="0"> <tr> <td>"A" document defining the general state of the art which is not considered to be of particular relevance</td> <td>"T" later document published after the international filing date or priority date and not in conflict with the application but cited to understand the principle or theory underlying the invention</td> </tr> <tr> <td>"E" earlier application or patent published on or after the international filing date</td> <td>"X" document of particular relevance; the claimed invention cannot be considered novel or cannot be considered to involve an inventive step when the document is taken alone</td> </tr> <tr> <td>"L" document which may throw doubts on priority claim(s) or which is cited to establish the publication date of another citation or other special reason (as specified)</td> <td>"Y" document of particular relevance; the claimed invention cannot be considered to involve an inventive step when the document is combined with one or more other such documents, such combination being obvious to a person skilled in the art</td> </tr> <tr> <td>"O" document referring to an oral disclosure, use, exhibition or other means</td> <td>"&" document member of the same patent family</td> </tr> <tr> <td>"P" document published prior to the international filing date but later than the priority date claimed</td> <td></td> </tr> </table>			"A" document defining the general state of the art which is not considered to be of particular relevance	"T" later document published after the international filing date or priority date and not in conflict with the application but cited to understand the principle or theory underlying the invention	"E" earlier application or patent published on or after the international filing date	"X" document of particular relevance; the claimed invention cannot be considered novel or cannot be considered to involve an inventive step when the document is taken alone	"L" document which may throw doubts on priority claim(s) or which is cited to establish the publication date of another citation or other special reason (as specified)	"Y" document of particular relevance; the claimed invention cannot be considered to involve an inventive step when the document is combined with one or more other such documents, such combination being obvious to a person skilled in the art	"O" document referring to an oral disclosure, use, exhibition or other means	"&" document member of the same patent family	"P" document published prior to the international filing date but later than the priority date claimed															
"A" document defining the general state of the art which is not considered to be of particular relevance	"T" later document published after the international filing date or priority date and not in conflict with the application but cited to understand the principle or theory underlying the invention																									
"E" earlier application or patent published on or after the international filing date	"X" document of particular relevance; the claimed invention cannot be considered novel or cannot be considered to involve an inventive step when the document is taken alone																									
"L" document which may throw doubts on priority claim(s) or which is cited to establish the publication date of another citation or other special reason (as specified)	"Y" document of particular relevance; the claimed invention cannot be considered to involve an inventive step when the document is combined with one or more other such documents, such combination being obvious to a person skilled in the art																									
"O" document referring to an oral disclosure, use, exhibition or other means	"&" document member of the same patent family																									
"P" document published prior to the international filing date but later than the priority date claimed																										
<p>Date of the actual completion of the international search 13 September 2005 (13.09.2005)</p>		<p>Date of mailing of the international search report 05 DEC 2005</p>																								
<p>Name and mailing address of the ISA/US Mail Stop PCT, Attn: ISA/US Commissioner for Patents P.O. Box 1450 Alexandria, Virginia 22313-1450 Facsimile No. (703) 305-3230</p>		<p>Authorized officer  Timothy H Meeks Telephone No. 571-272-1700</p>																								