



US00D960271S

(12) **United States Design Patent**
Toulon et al.

(10) **Patent No.:** **US D960,271 S**

(45) **Date of Patent:** **** Aug. 9, 2022**

(54) **PUTTER HEAD**

(71) Applicant: **Callaway Golf Company**, Carlsbad, CA (US)

(72) Inventors: **Sean Toulon**, Vista, CA (US); **Luke Williams**, Carlsbad, CA (US); **Patrick Dawson**, San Diego, CA (US); **Keith Kingston**, Oceanside, CA (US)

(73) Assignee: **Callaway Golf Company**, Carlsbad, CA (US)

(**) Term: **15 Years**

(21) Appl. No.: **29/761,274**

(22) Filed: **Dec. 8, 2020**

(51) **LOC (13) Cl.** **21-02**

(52) **U.S. Cl.**
USPC **D21/744**

(58) **Field of Classification Search**
USPC D21/736-746, 759
CPC A63B 53/00; A63B 53/04; A63B 53/007;
A63B 53/065; A63B 53/0487; A63B
60/00; A63B 60/46
See application file for complete search history.

(56) **References Cited**

U.S. PATENT DOCUMENTS

D255,373 S *	6/1980	Solheim	D21/743
D400,610 S *	11/1998	Cameron	D21/742
D407,445 S *	3/1999	Rollinson	D21/745
D511,802 S *	11/2005	Cameron	D21/744

D514,181 S *	1/2006	Cameron	D21/738
D604,782 S *	11/2009	Franklin	D21/736
D644,703 S *	9/2011	Serrano	D21/743
D720,023 S *	12/2014	Rollinson	D21/736
D759,172 S *	6/2016	Rollinson	D21/743
D769,996 S *	10/2016	Abbott	D21/744
D796,599 S *	9/2017	Serrano	D21/743
D796,601 S *	9/2017	Serrano	D21/743
D820,364 S *	6/2018	Cameron	D21/743
D827,743 S *	9/2018	Chen	D21/743

OTHER PUBLICATIONS

Callaway putters goggle search; google.com; Jun. 1, 2022.*

* cited by examiner

Primary Examiner — Mitchell I. Siegel

(74) *Attorney, Agent, or Firm* — Rebecca Hanovice; Michael Catania; Sonia Lari

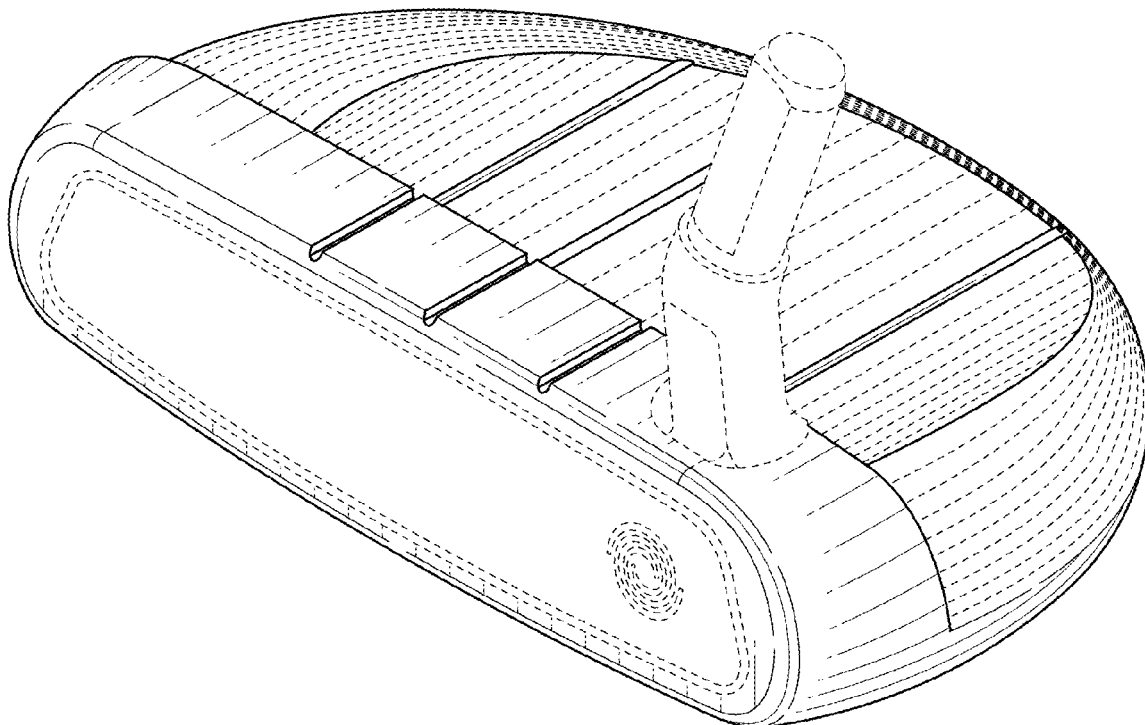
(57) **CLAIM**

The ornamental design for a putter head, as shown and described.

DESCRIPTION

FIG. 1 is a top perspective view of the putter head claimed herein;
FIG. 2 is a front elevational view thereof;
FIG. 3 is a rear elevational view thereof;
FIG. 4 is a left side elevational view thereof;
FIG. 5 is a right side elevational view thereof;
FIG. 6 is a top plan view thereof; and,
FIG. 7 is a bottom plan view thereof.
The broken lines shown form no part of the claimed design.

1 Claim, 5 Drawing Sheets



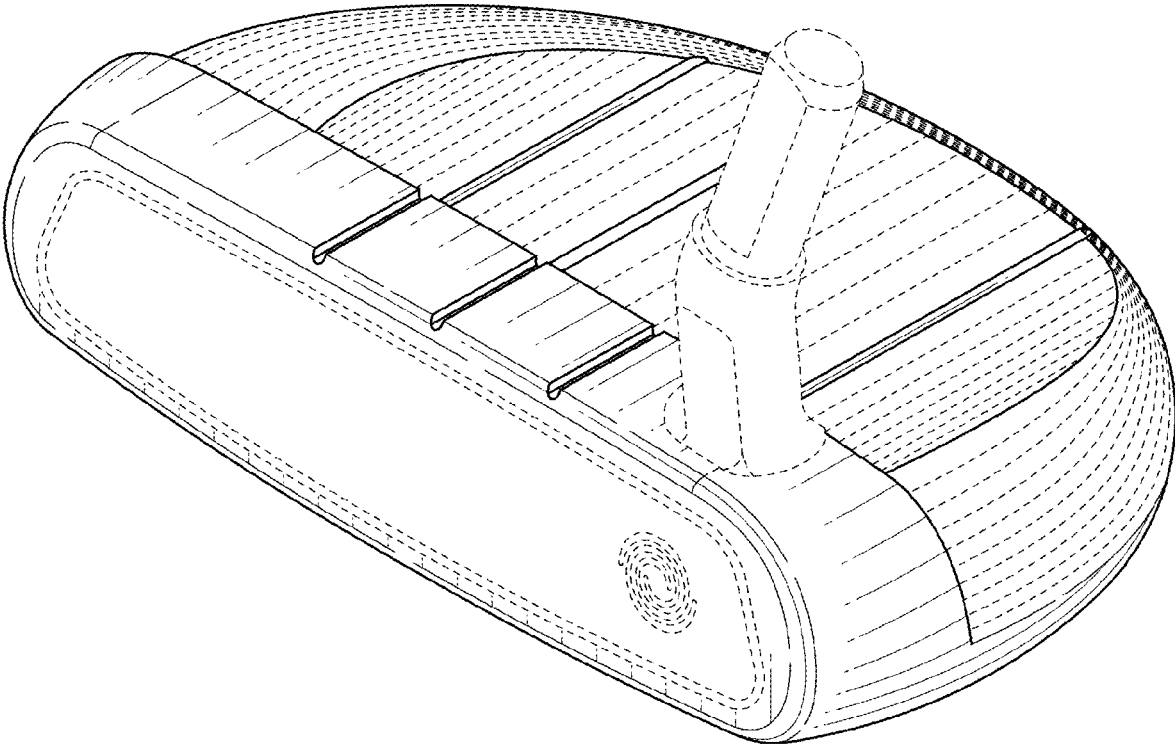


FIG. 1

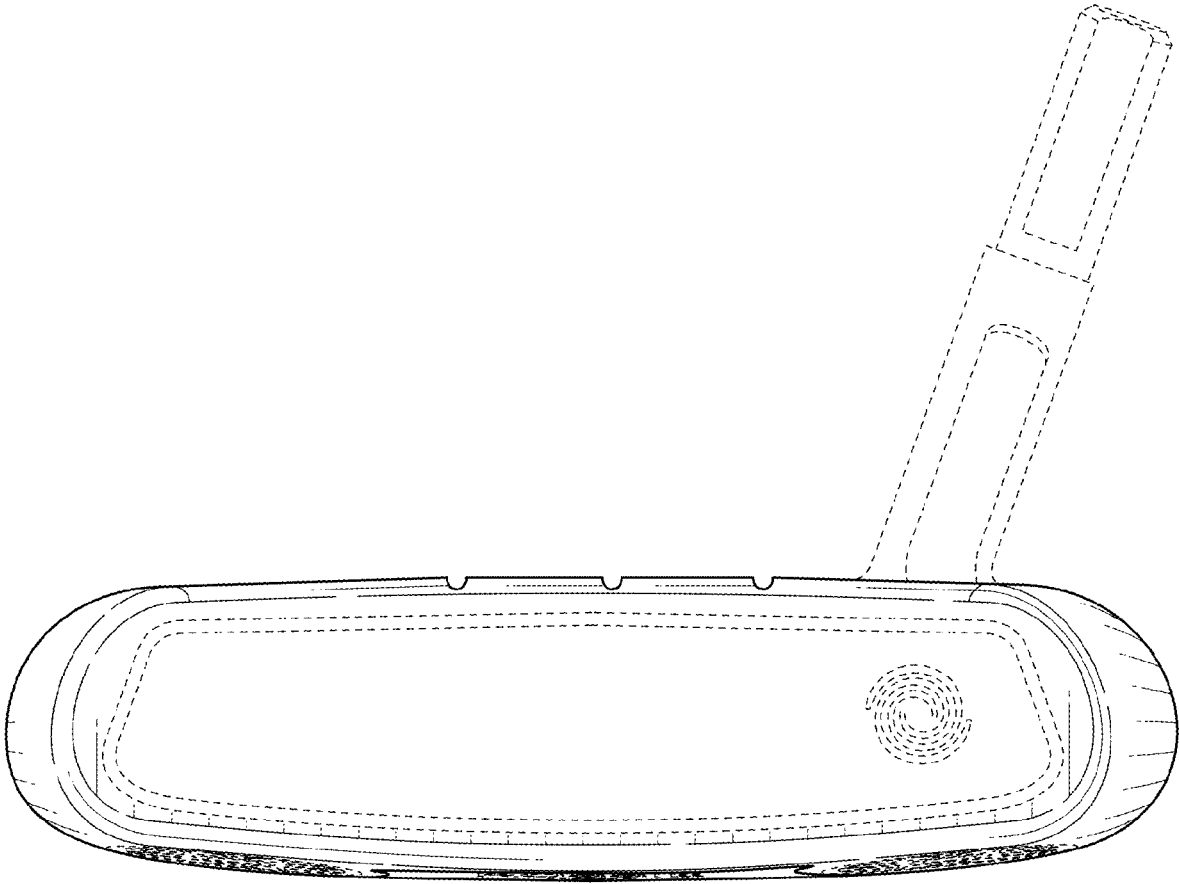


FIG. 2

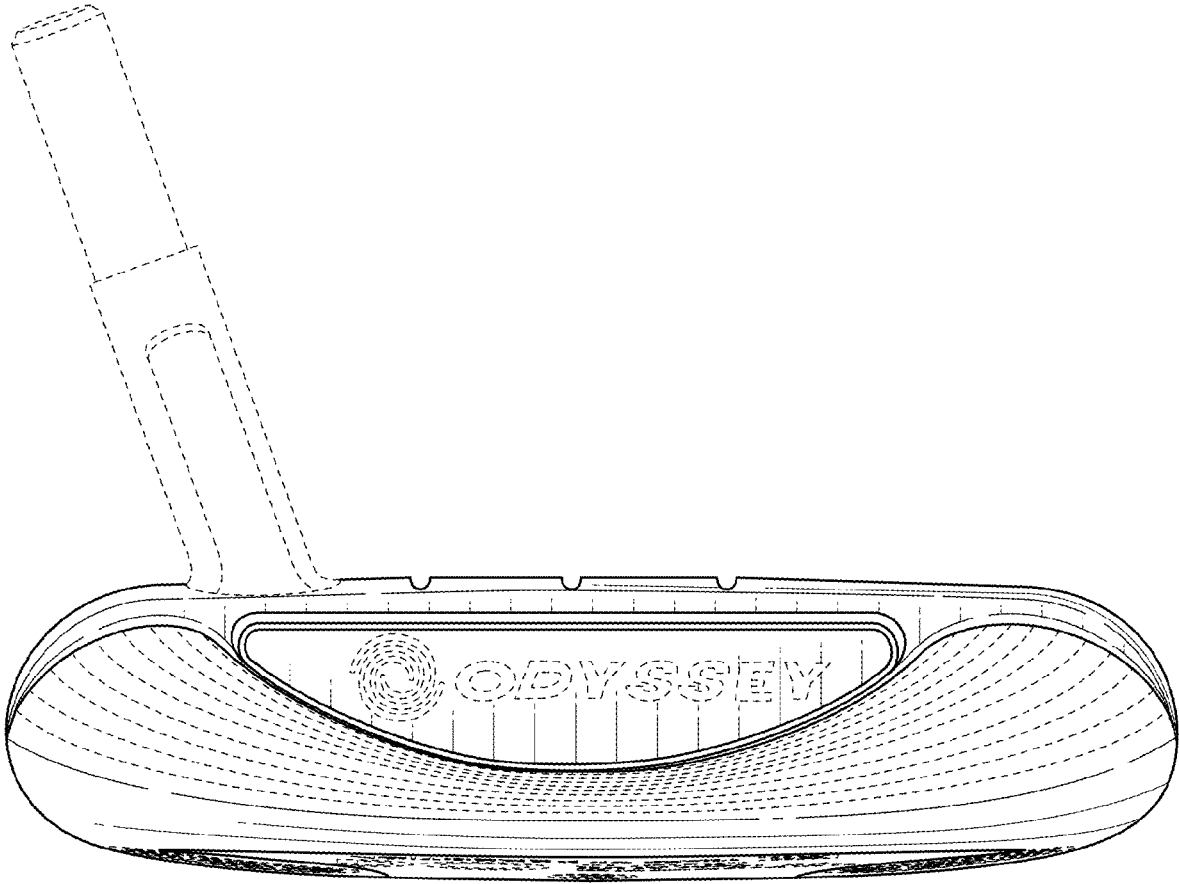


FIG. 3

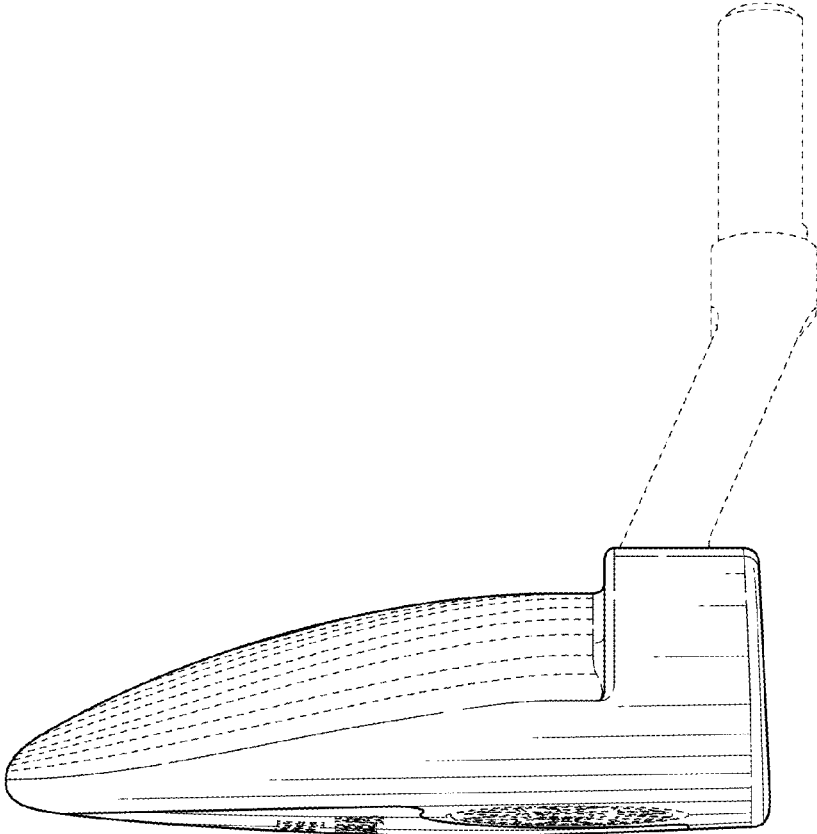


FIG. 4

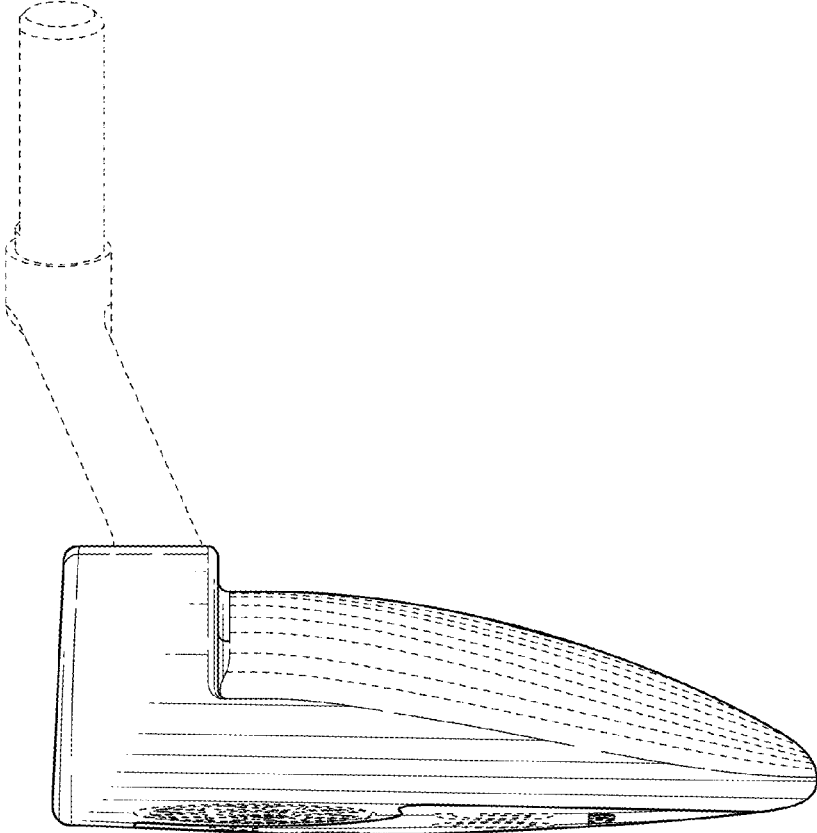


FIG. 5

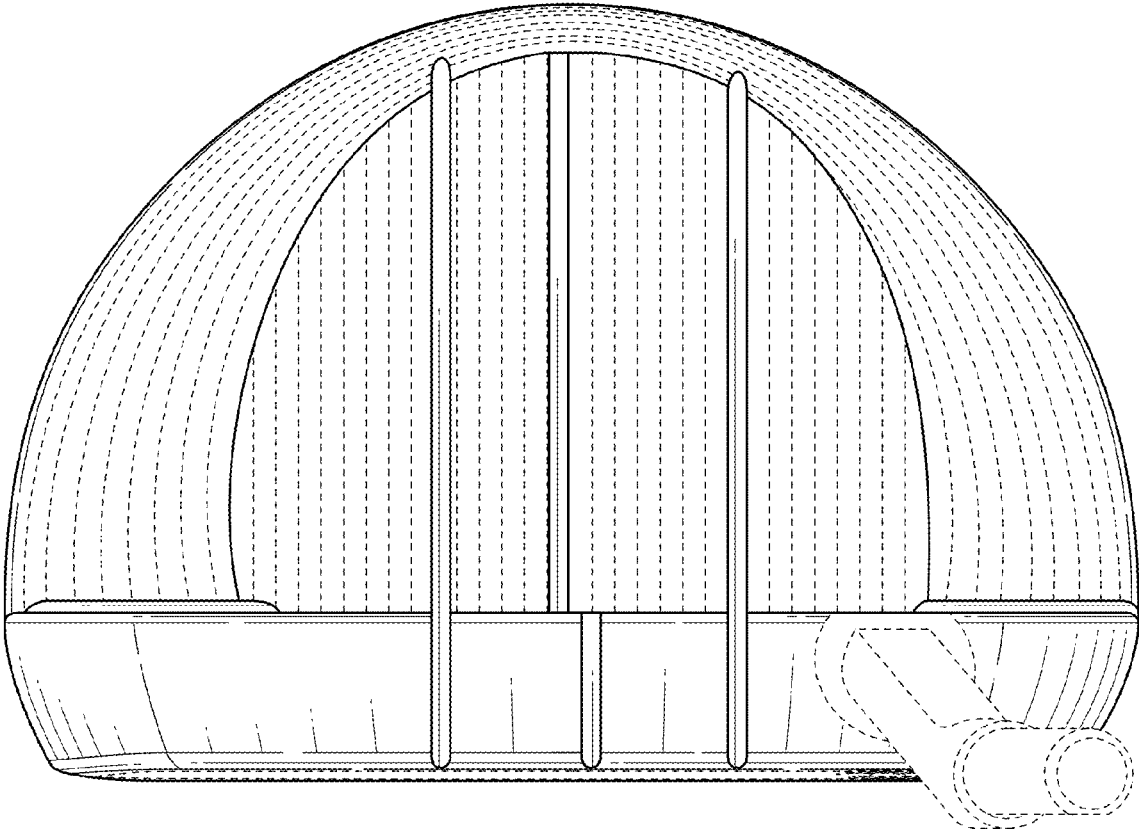


FIG. 6

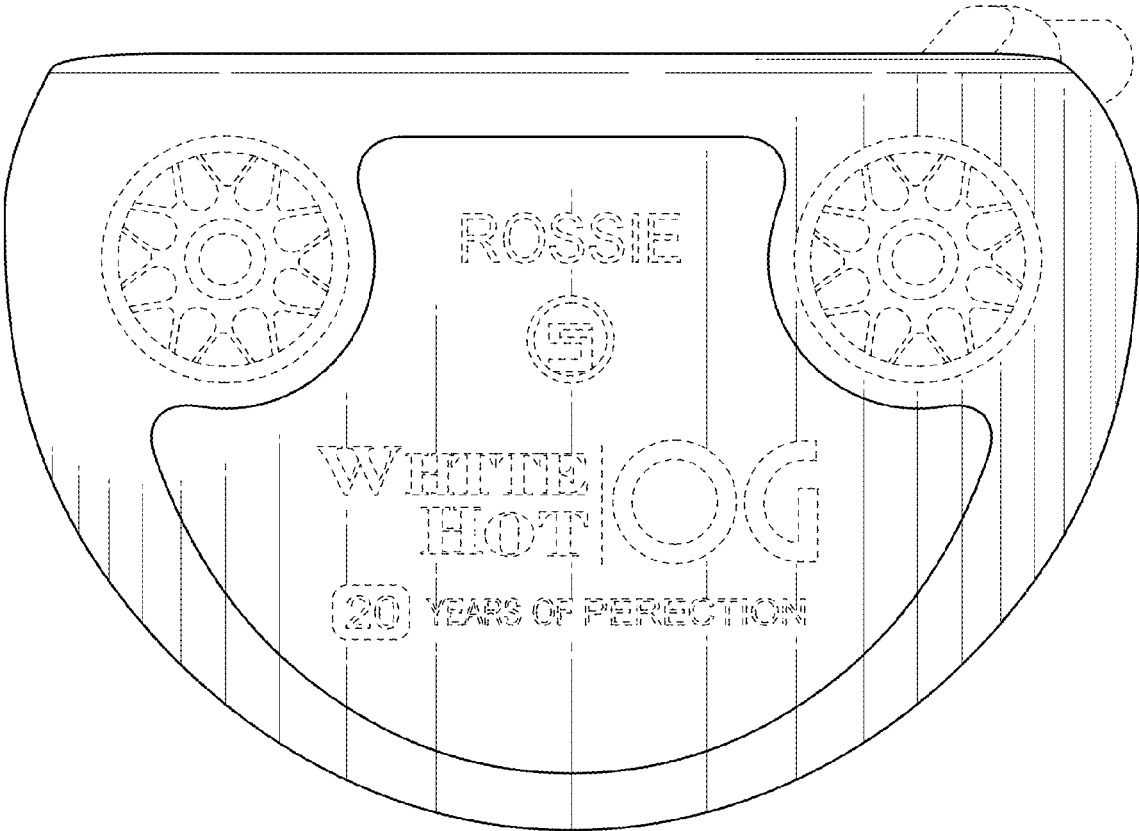


FIG. 7