



US00D461529S

(12) **United States Design Patent** (10) **Patent No.:** **US D461,529 S**  
**Gottwald** (45) **Date of Patent:** **\*\* Aug. 13, 2002**

(54) **FAUCET**  
(75) Inventor: **Adolf Gottwald, Iserlohn (DE)**  
(73) Assignee: **Friedrich Grohe AG Co. KG, Hemer (DE)**

D312,300 S \* 11/1990 Joerger ..... D23/241  
D322,841 S \* 12/1991 Kohler, Jr. et al. .... D23/255  
D351,218 S \* 10/1994 Sieger ..... D23/241  
D375,149 S \* 10/1996 Robbins ..... D23/257  
D420,726 S \* 2/2000 Slothower et al. .... D23/257

(\*\*) Term: **14 Years**

\* cited by examiner

(21) Appl. No.: **29/141,113**

*Primary Examiner*—Louis S. Zarfes  
*Assistant Examiner*—Gregory Andoll  
(74) *Attorney, Agent, or Firm*—Herbert Dubno

(22) Filed: **Apr. 29, 2001**

(57) **CLAIM**

(30) **Foreign Application Priority Data**

The ornamental design for a faucet, as shown and described.

Nov. 24, 2000 (DE) ..... 4 00 11 047

**DESCRIPTION**

(51) **LOC (7) Cl.** ..... **23-01**  
(52) **U.S. Cl.** ..... **D23/242; D23/241; D23/239; D23/238**  
(58) **Field of Search** ..... **D23/238-257; 4/675-678; 137/801**

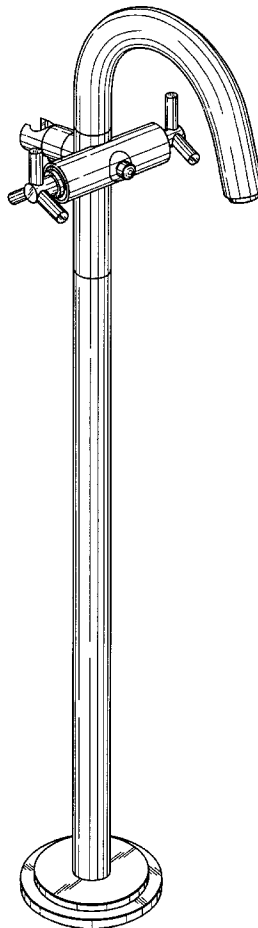
FIG. 1 is a top, front, left-side perspective view of a faucet showing my new design;  
FIG. 2 is a front elevational view thereof;  
FIG. 3 is a rear elevational view thereof;  
FIG. 4 is a left side elevational view thereof, the right side view being mirror symmetrical thereto;  
FIG. 5 is a top plan view thereof; and,  
FIG. 6 is a bottom plan view thereof.

(56) **References Cited**

**U.S. PATENT DOCUMENTS**

D64,298 S \* 3/1924 Crane ..... D23/241  
D309,342 S \* 7/1990 Nowlin et al. .... D23/239

**1 Claim, 3 Drawing Sheets**



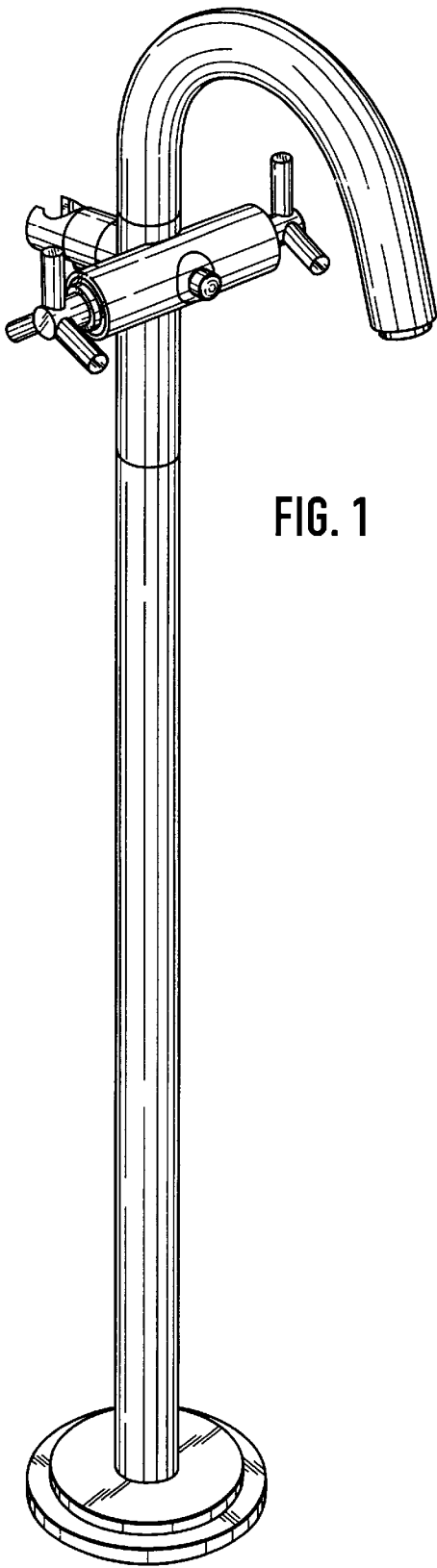


FIG. 1

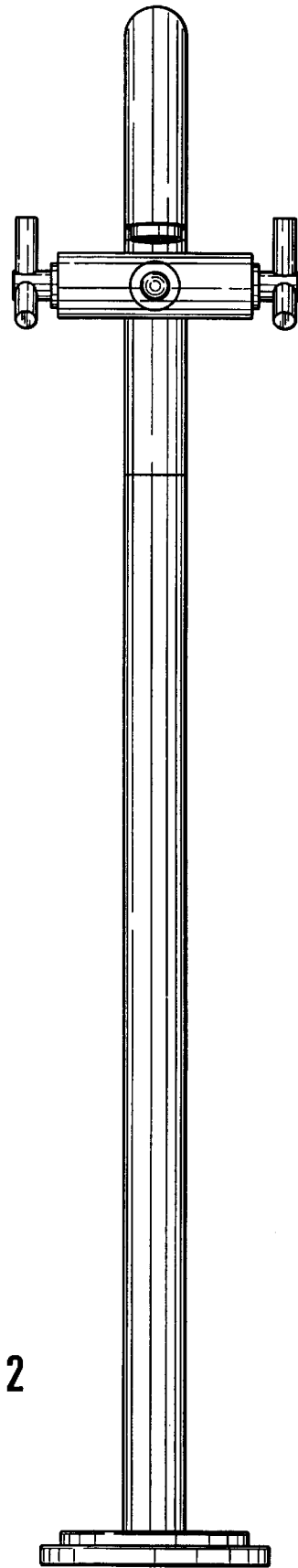


FIG. 2

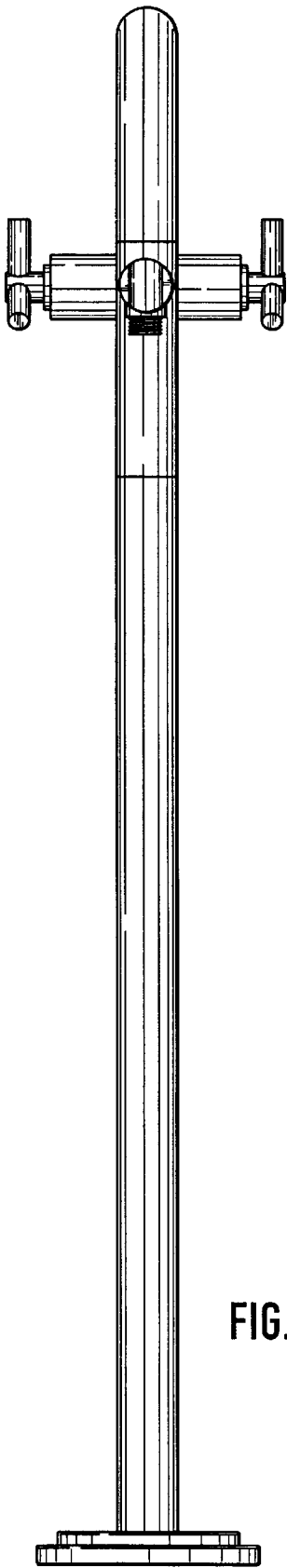


FIG. 3

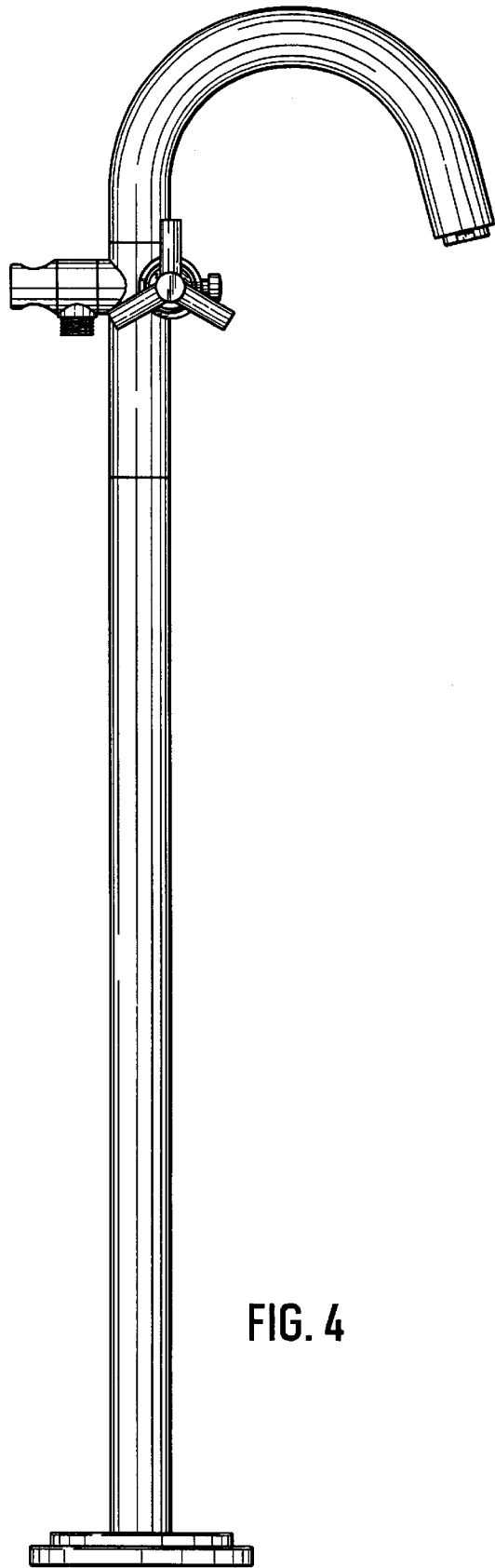


FIG. 4

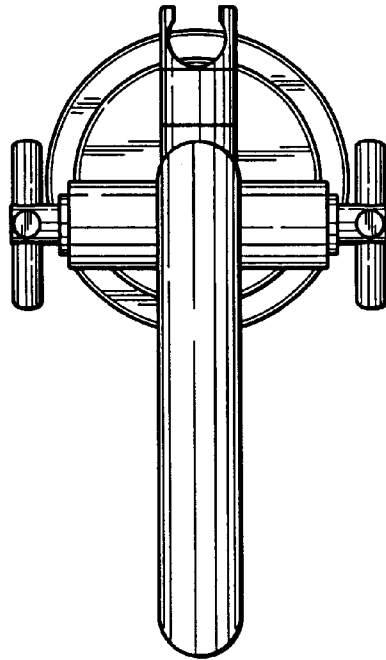


FIG. 5

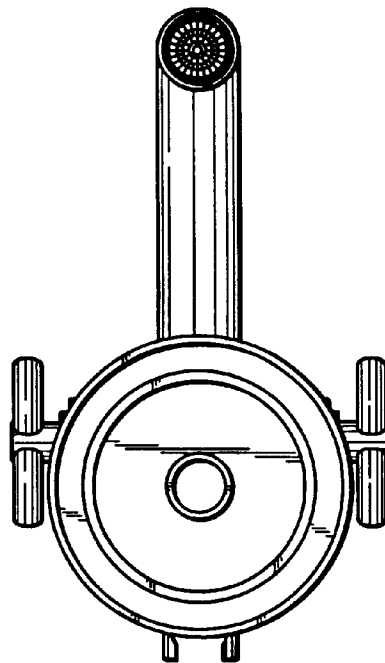


FIG. 6