

Aug. 6, 1935.

E. ROSENBURGH
METAL FURNITURE TUBING
Filed June 1, 1934

Des. 96,509

Fig. 1.

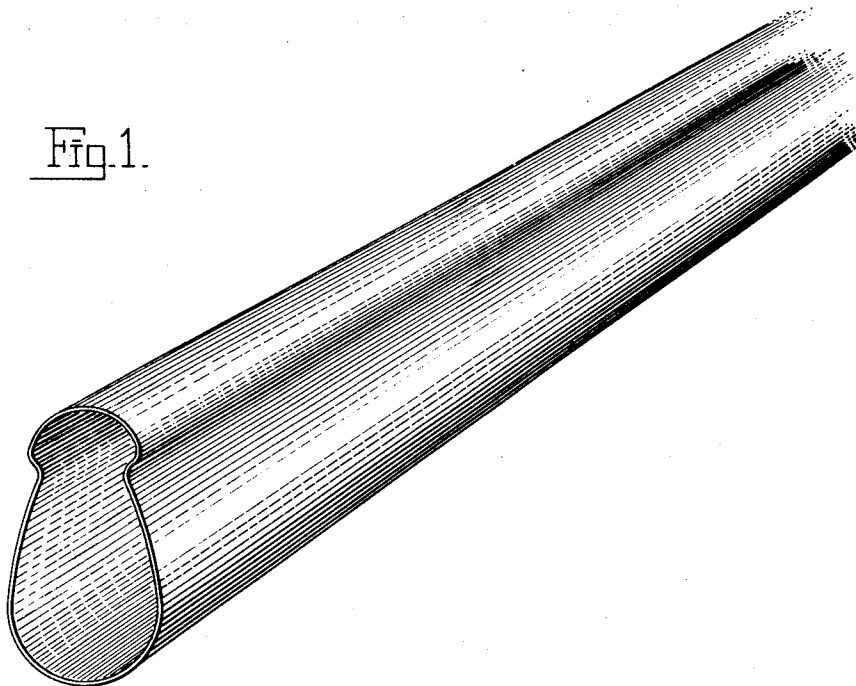
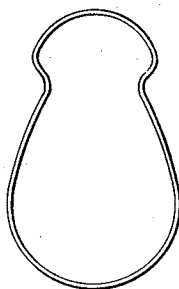


Fig. 2.



INVENTOR
E. Rosenburgh
BY
Conroy, North, Vanney & Co. Ltd.
ATTORNEYS

UNITED STATES PATENT OFFICE

96,509

DESIGN FOR METAL FURNITURE TUBING

Ernest Rosenburgh, Rome, N. Y.

Application June 1, 1934, Serial No. 52,009

Term of patent 3½ years

To all whom it may concern:

Be it known that I, Ernest Rosenburgh, a citizen of the United States, residing at Rome, in the county of Oneida and State of New York, whose post-office address is c/o The Rome Company, Inc., Rome, New York, have invented a new, original, and ornamental Design for Metal Furniture Tubing, of which the following is a specification, reference being had to the accompanying drawing, forming part thereof.

In the drawing,

Fig. 1 is a perspective view, and

Fig. 2 is an end view of a piece of metal furniture tubing showing my new design.

A feature of the present design is that the tubing has a smooth curved portion of partially oval cross section connected by sharply and reversely curved portions to the opposite edges of a smooth rounded nose portion.

I claim:

The ornamental design for metal furniture tubing as shown and described.

ERNEST ROSENBURGH.