



US00D487580S

(12) **United States Design Patent** (10) **Patent No.:** **US D487,580 S**
Lee et al. (45) **Date of Patent:** **** Mar. 16, 2004**

(54) **HOCKEY HELMET ILLUMINATED DISPLAY**

D355,394 S * 2/1995 Bezener et al. D21/660

(75) Inventors: **Michael Lee**, Baltimore, MD (US); **Raf Vanreusel**, Reistertown, MD (US)

* cited by examiner

Primary Examiner—Robert M. Spear
(74) *Attorney, Agent, or Firm*—McGuireWoods LLP

(73) Assignee: **PCT International**, Baltimore, MD (US)

(57) **CLAIM**

(**) Term: **14 Years**

We claim the ornamental design for a hockey helmet illuminated display, as shown and described.

(21) Appl. No.: **29/172,630**

DESCRIPTION

(22) Filed: **Dec. 16, 2002**

(51) **LOC (7) Cl.** **20-03**

FIG. 1 is a back elevational view of a hockey helmet illuminated display.

(52) **U.S. Cl.** **D20/29**

FIG. 2 is an enlarged bottom plan view of the display.

(58) **Field of Search** D11/133, 134, D11/136; D20/10, 12, 23, 29, 32, 33, 40, 42, 99; 40/545, 581, 612; 362/222, 223, 228

FIG. 3 is a front elevational view of the display.

FIG. 4 is a top plan view of the display.

FIG. 5 is an enlarged side elevational view of the display; and,

FIG. 6 is an enlarged opposite side elevational view of the display.

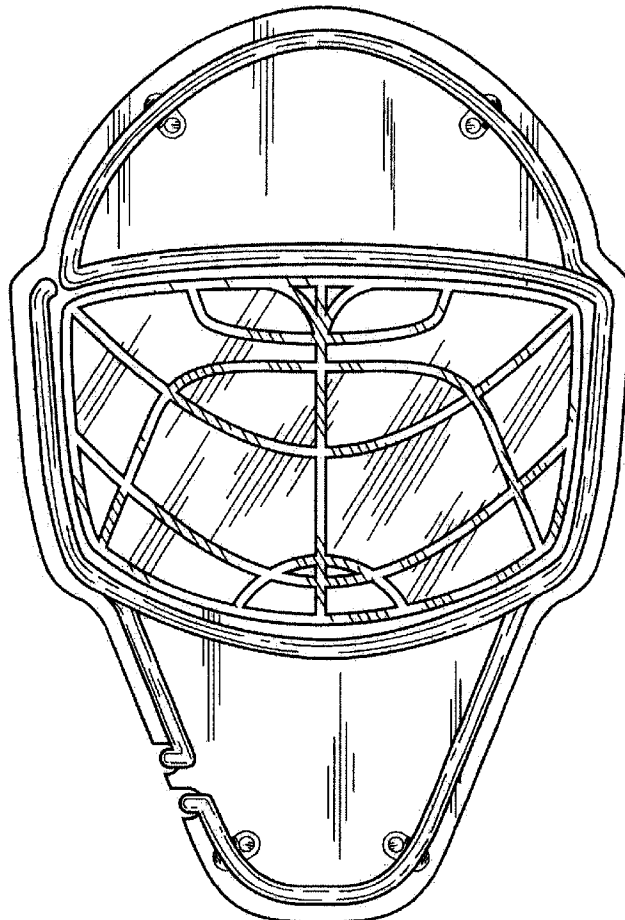
(56) **References Cited**

The broken lines in the drawings depict environmental structure, which forms no part of the claimed design.

U.S. PATENT DOCUMENTS

D355,393 S * 2/1995 Bezener et al. D21/660

1 Claim, 6 Drawing Sheets



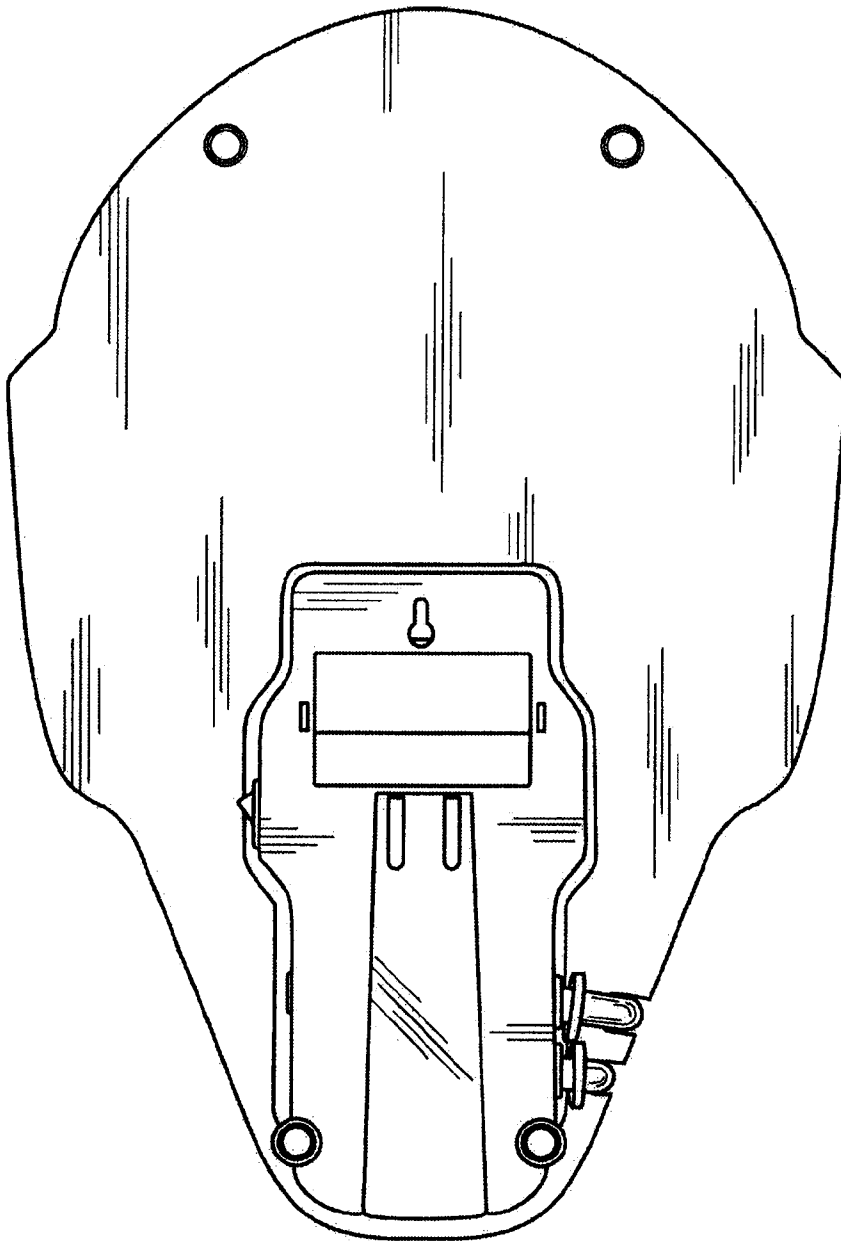


Fig. 1

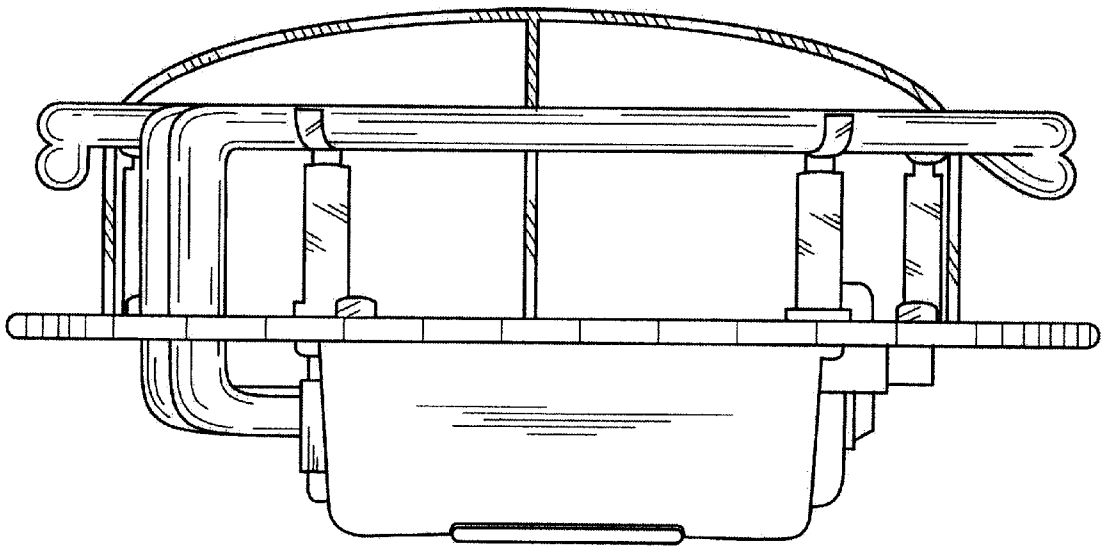


Fig. 2

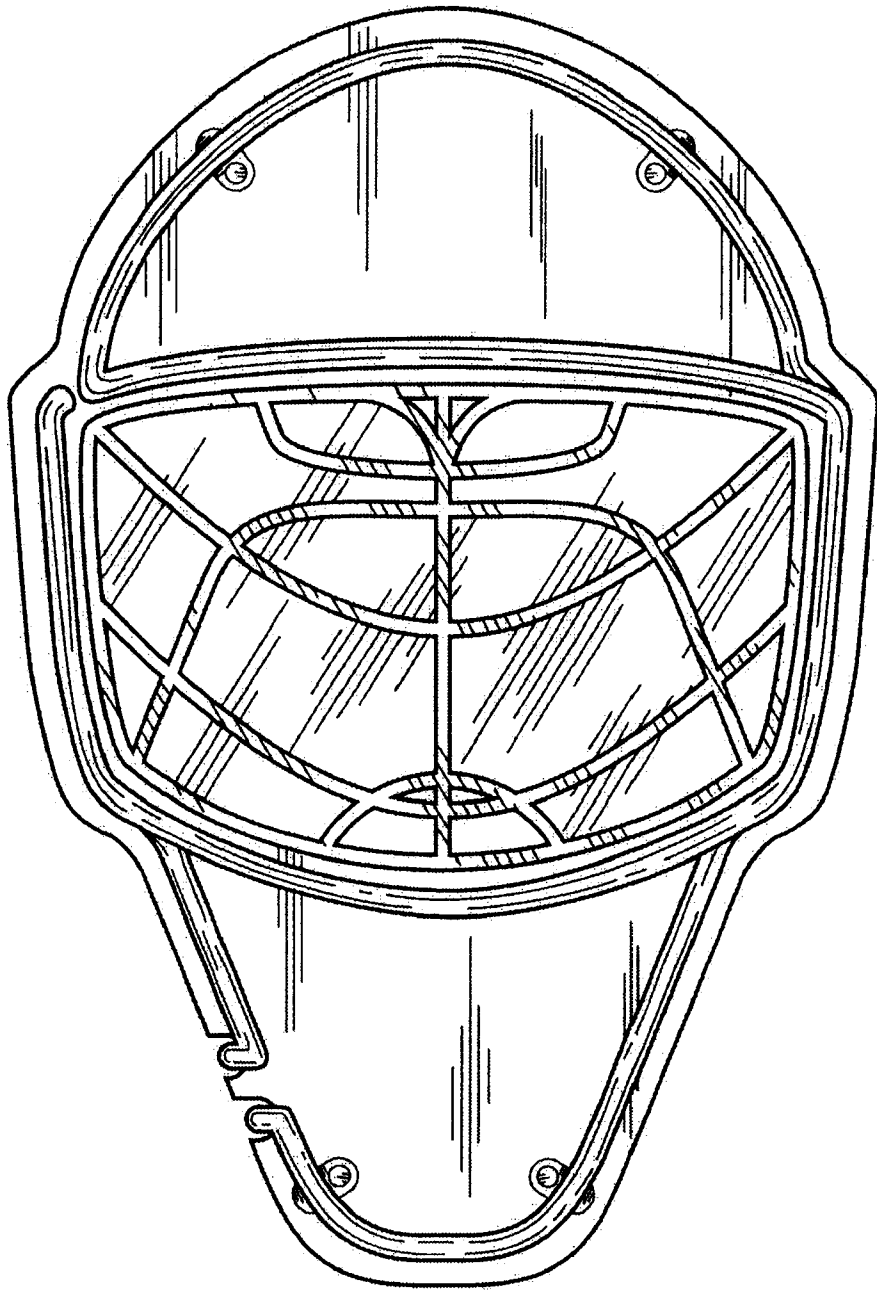


Fig. 3

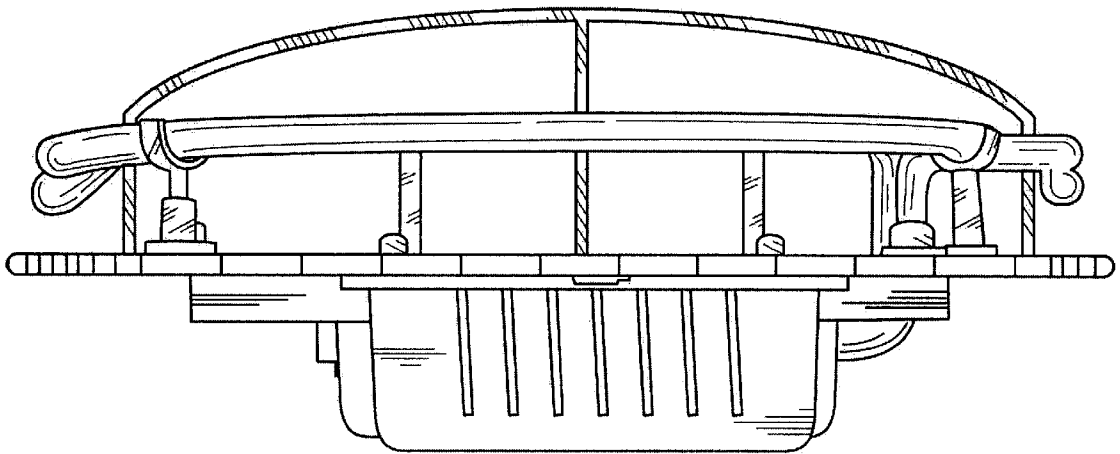


Fig. 4

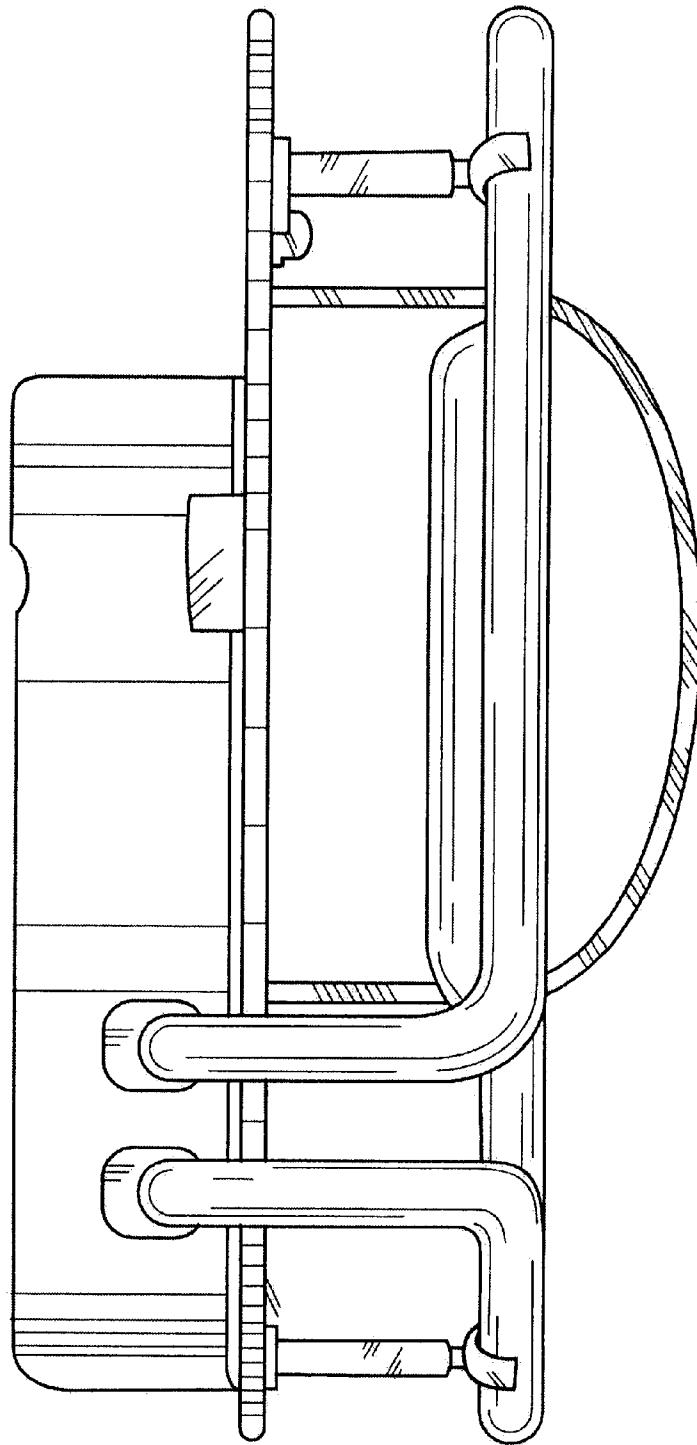


Fig. 5

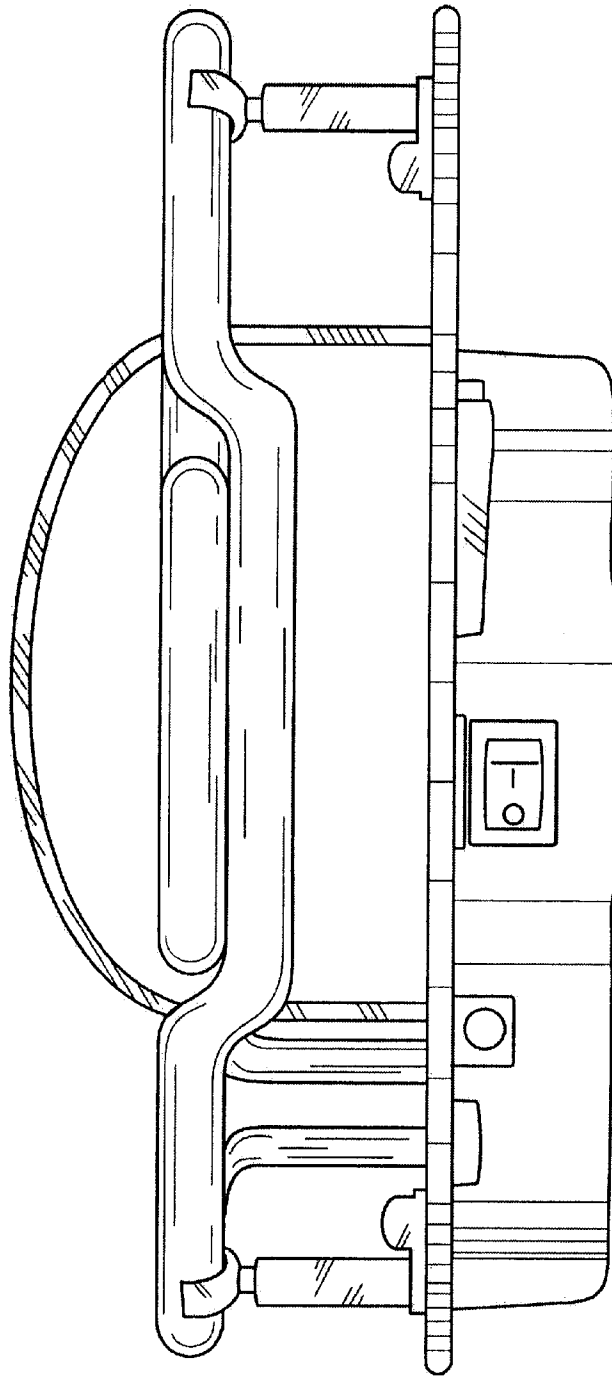


Fig. 6