



US00D730554S

(12) **United States Design Patent**  
**Orellana**

(10) **Patent No.:** **US D730,554 S**

(45) **Date of Patent:** **\*\* May 26, 2015**

(54) **LIGHTING FIXTURE**

(71) Applicant: **U.S. Pole Company, Inc.**, Palmdale, CA (US)

(72) Inventor: **Angel M. Orellana**, Los Angeles, CA (US)

(73) Assignee: **U.S. Pole Company, Inc.**, Palmdale, CA (US)

(\*\*) Term: **14 Years**

(21) Appl. No.: **29/500,271**

(22) Filed: **Aug. 22, 2014**

(51) **LOC (10) Cl.** ..... **26-05**

(52) **U.S. Cl.**  
USPC ..... **D26/67**

(58) **Field of Classification Search**  
USPC ..... D26/67, 68, 72, 85, 87, 128-134;  
362/147, 431, 432; D22/120  
See application file for complete search history.

(56) **References Cited**

**U.S. PATENT DOCUMENTS**

D87,483 S *	8/1932	Del Purgatorio	.....	D26/110
D189,984 S *	3/1961	Slaton	.....	D26/67
D202,808 S *	11/1965	Dailey	.....	D26/67

D208,101 S *	7/1967	Koziol	.....	D26/67
D208,941 S *	10/1967	Koziol	.....	D26/67
D212,383 S *	10/1968	D'Ercoli	.....	D26/67
D217,086 S *	4/1970	Miller	.....	D22/123
D320,092 S *	9/1991	Liu	.....	D26/68
D427,352 S *	6/2000	Miranda	.....	D26/72
D427,355 S *	6/2000	Miranda	.....	D26/87
D465,873 S *	11/2002	De'Armond	.....	D26/92
D515,231 S *	2/2006	Randazzo et al.	.....	D26/67
D553,284 S *	10/2007	Bucher et al.	.....	D26/67
D672,486 S *	12/2012	Chen	.....	D26/67
D694,931 S *	12/2013	Meyer et al.	.....	D26/67

\* cited by examiner

*Primary Examiner* — Clare E Heflin

(74) *Attorney, Agent, or Firm* — Christie, Parker & Hale, LLP

(57) **CLAIM**

The ornamental design for a lighting fixture, as shown and described.

**DESCRIPTION**

FIG. 1 is a perspective view of thereof the design;  
FIG. 2 is a side view thereof;  
FIG. 3 is a top view thereof; and,  
FIG. 4 is a bottom view thereof.

The broken lines shown on the drawings depict portions of the lighting fixture that form no part of the claimed design.

**1 Claim, 4 Drawing Sheets**

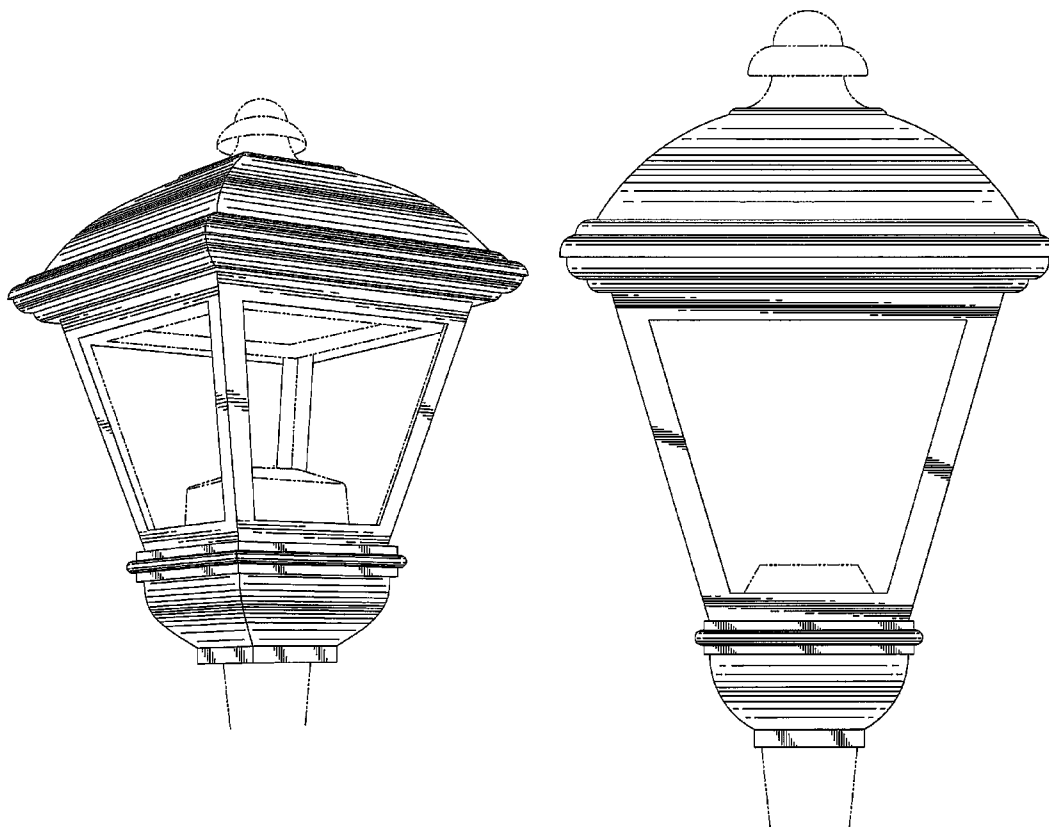


FIG. 1

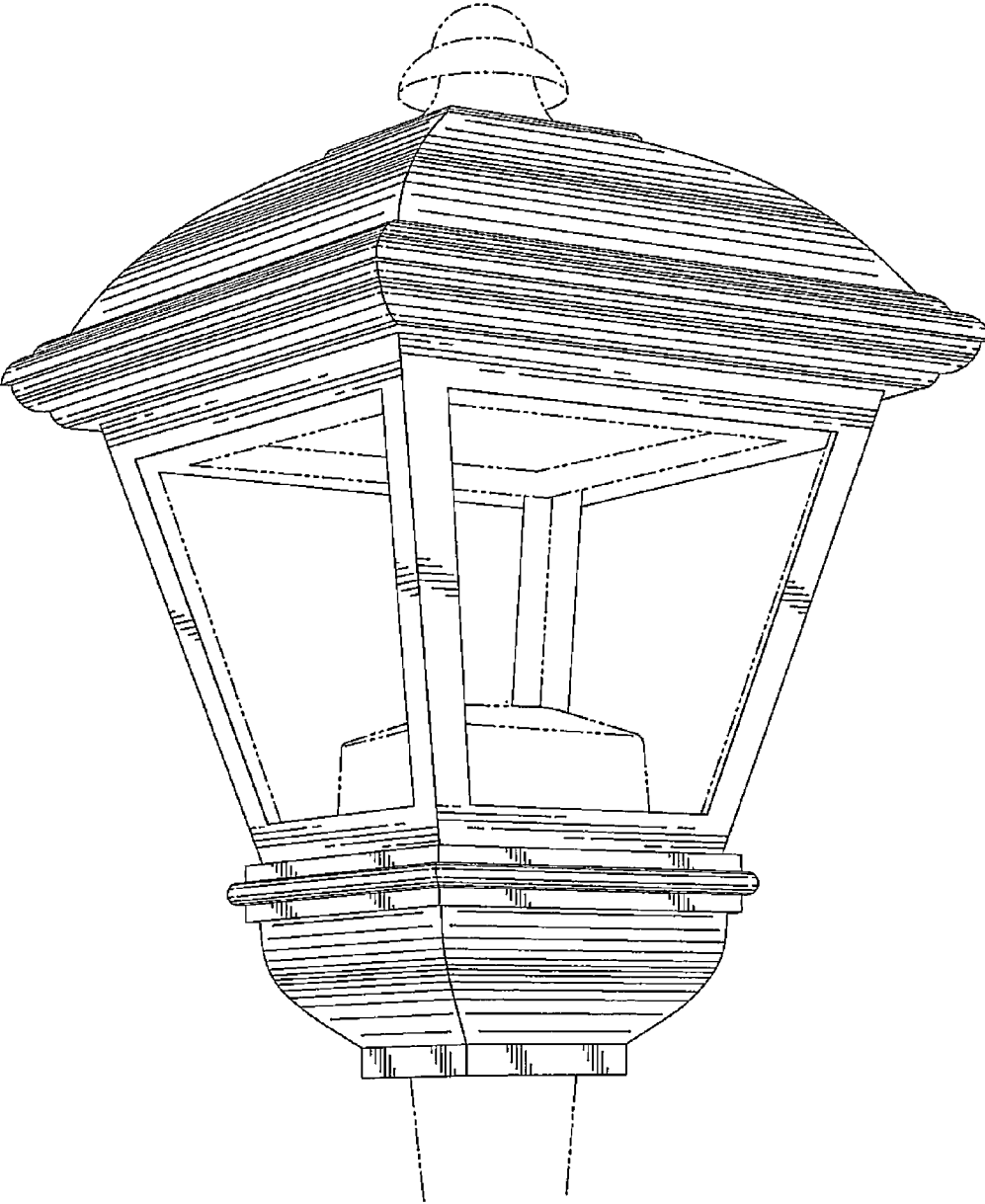


FIG. 2

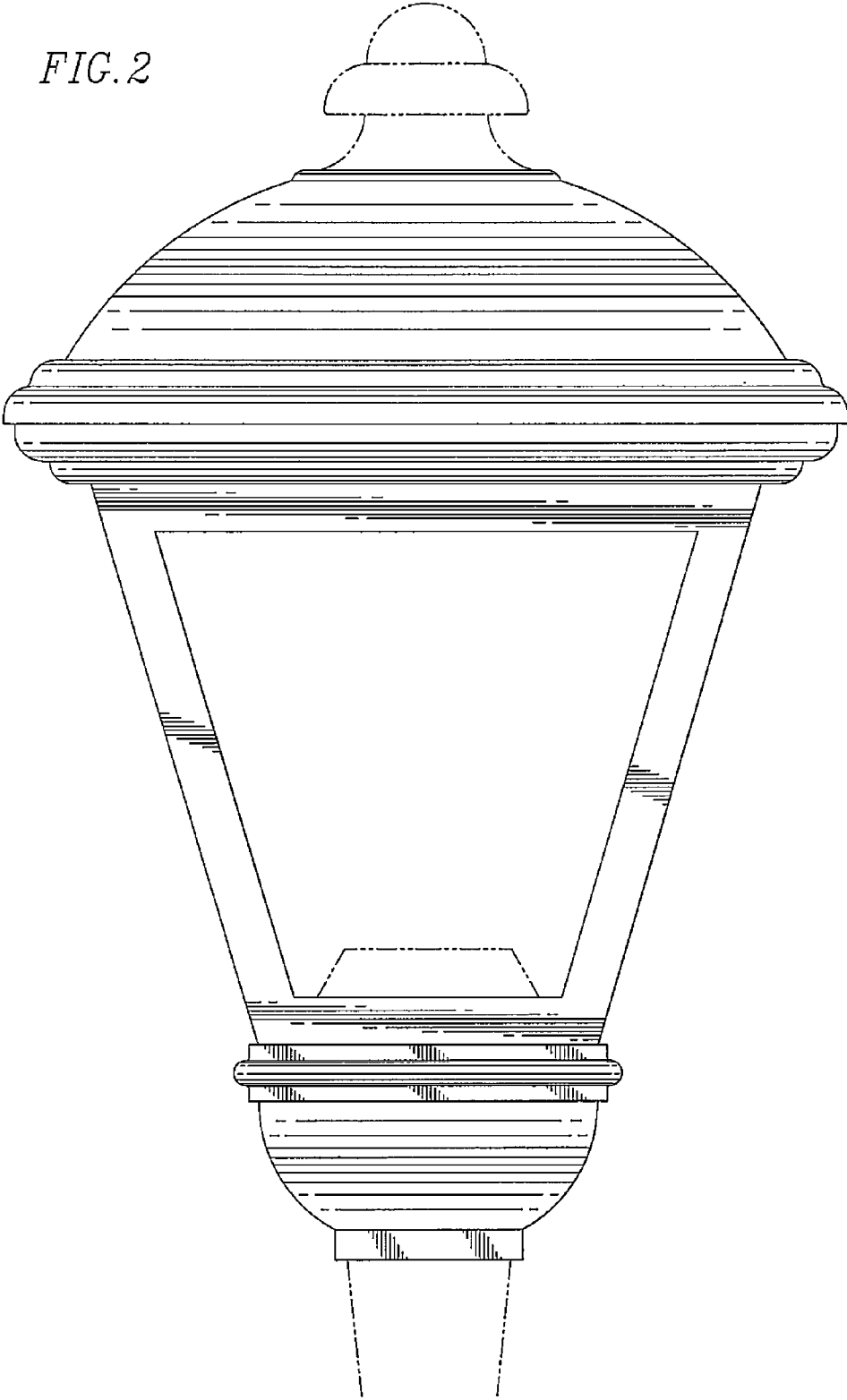


FIG. 3

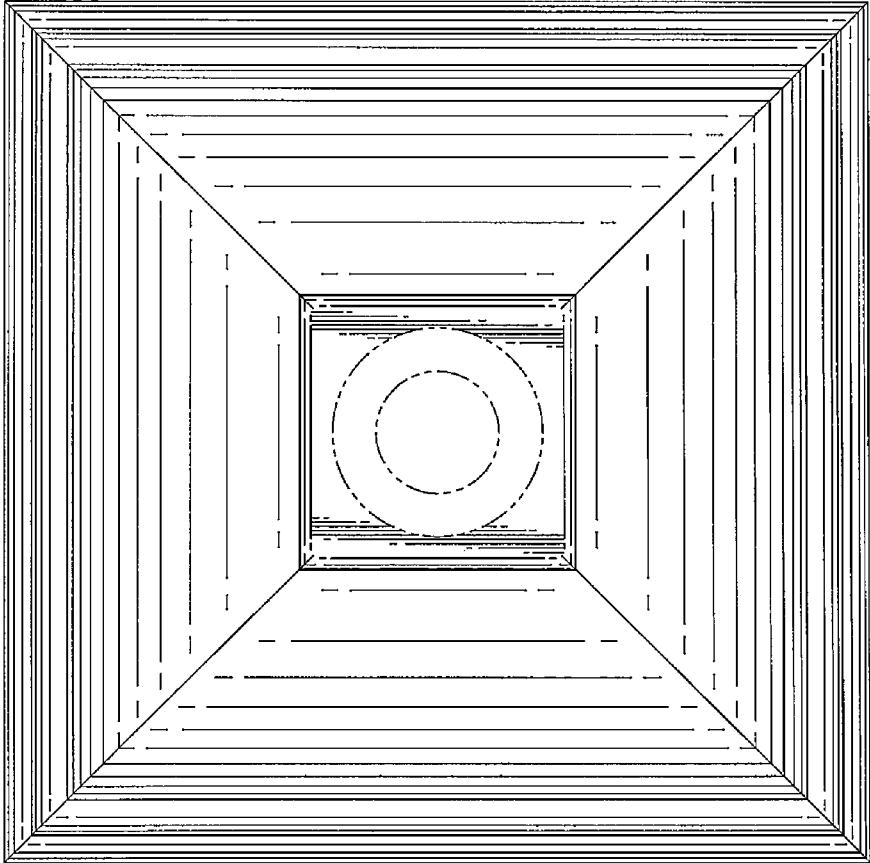


FIG. 4

